



US00D600159S

(12) **United States Design Patent**
Tsai

(10) **Patent No.:** **US D600,159 S**
(45) **Date of Patent:** **** Sep. 15, 2009**

(54) **CHRISTMAS 3D SNOWFLAKE LIGHT**

(76) Inventor: **George Tsai**, 4th Fl., No. 403, Sec. 4,
Jen-Ai Rd., Taipei (TW)

(**) Term: **14 Years**

(21) Appl. No.: **29/269,323**

(22) Filed: **Nov. 29, 2006**

(51) **LOC (9) Cl.** **11-05**

(52) **U.S. Cl.** **D11/121; D11/117; D11/125**

(58) **Field of Classification Search** D11/117,
D11/121, 125, 130, 131, 157, 158, 172, 178,
D11/40, 70; D26/1, 24, 4-10, 93, 94; 362/806,
362/807, 810; 428/7, 8, 9, 11

See application file for complete search history.

(56) **References Cited**

U.S. PATENT DOCUMENTS

D169,019	S	*	3/1953	Wenner-Gren	D11/96
2,644,260	A	*	7/1953	Woolven	428/9
2,847,780	A	*	8/1958	Ellerman	40/584
D184,477	S	*	2/1959	Flaster	D11/121
D246,833	S	*	1/1978	Campbell	D11/125
D275,559	S	*	9/1984	Williams	D11/125
D276,798	S	*	12/1984	Joseph	D11/125
D295,731	S	*	5/1988	Mancel	D11/184
D328,724	S	*	8/1992	Dudley	D11/125

D344,911	S	*	3/1994	Stork	D11/130.1
5,316,807	A	*	5/1994	Hill	428/17
D376,120	S	*	12/1996	Fu-Hsien	D11/121
D402,388	S	*	12/1998	Archambault	D26/125
D435,232	S	*	12/2000	Yedlin et al.	D11/184
D445,065	S	*	7/2001	Cheng	D11/184

* cited by examiner

Primary Examiner—Stella M Reid

Assistant Examiner—Elizabeth J Oswecki

(74) *Attorney, Agent, or Firm*—Rabin & Berdo, P.C.

(57) **CLAIM**

The ornamental design for a Christmas 3D snowflake light, as shown and described.

DESCRIPTION

FIG. 1 is a perspective view of a Christmas 3D snowflake light showing my new design;

FIG. 2 is a front view thereof;

FIG. 3 is a rear view thereof;

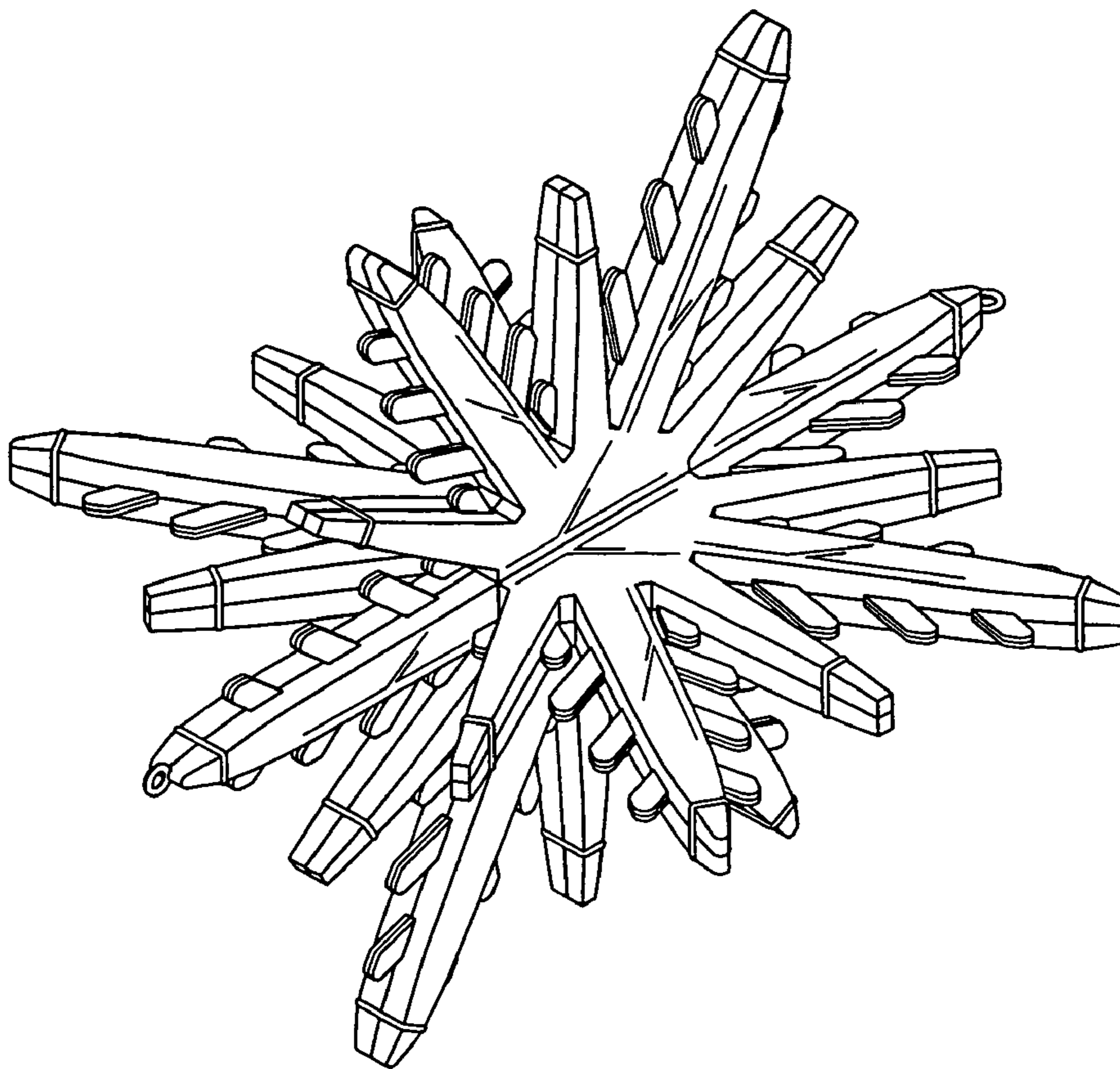
FIG. 4 is a left side view thereof;

FIG. 5 is a right side view thereof;

FIG. 6 is a top view thereof; and,

FIG. 7 is a bottom view thereof.

1 Claim, 7 Drawing Sheets



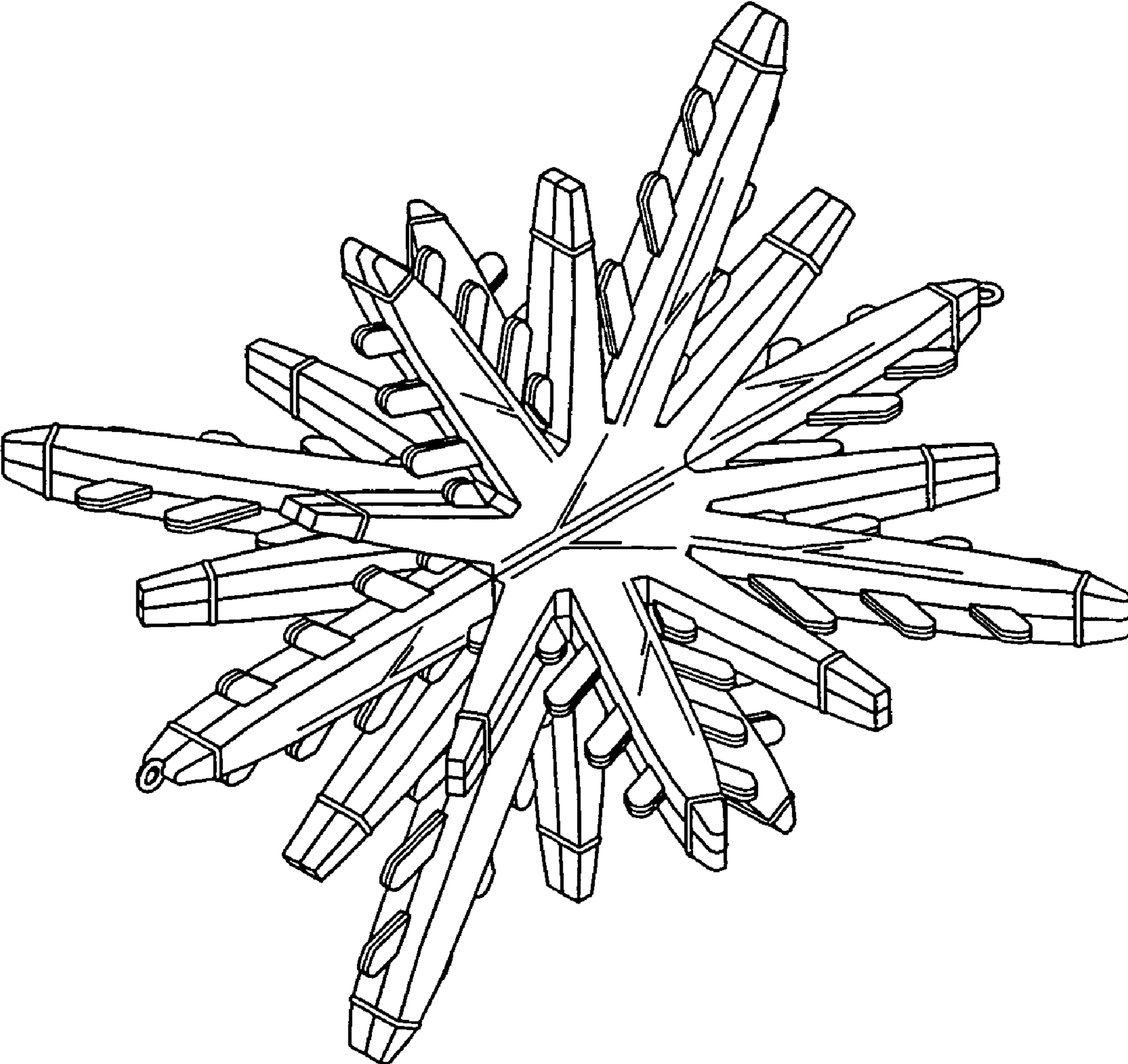


FIG.1

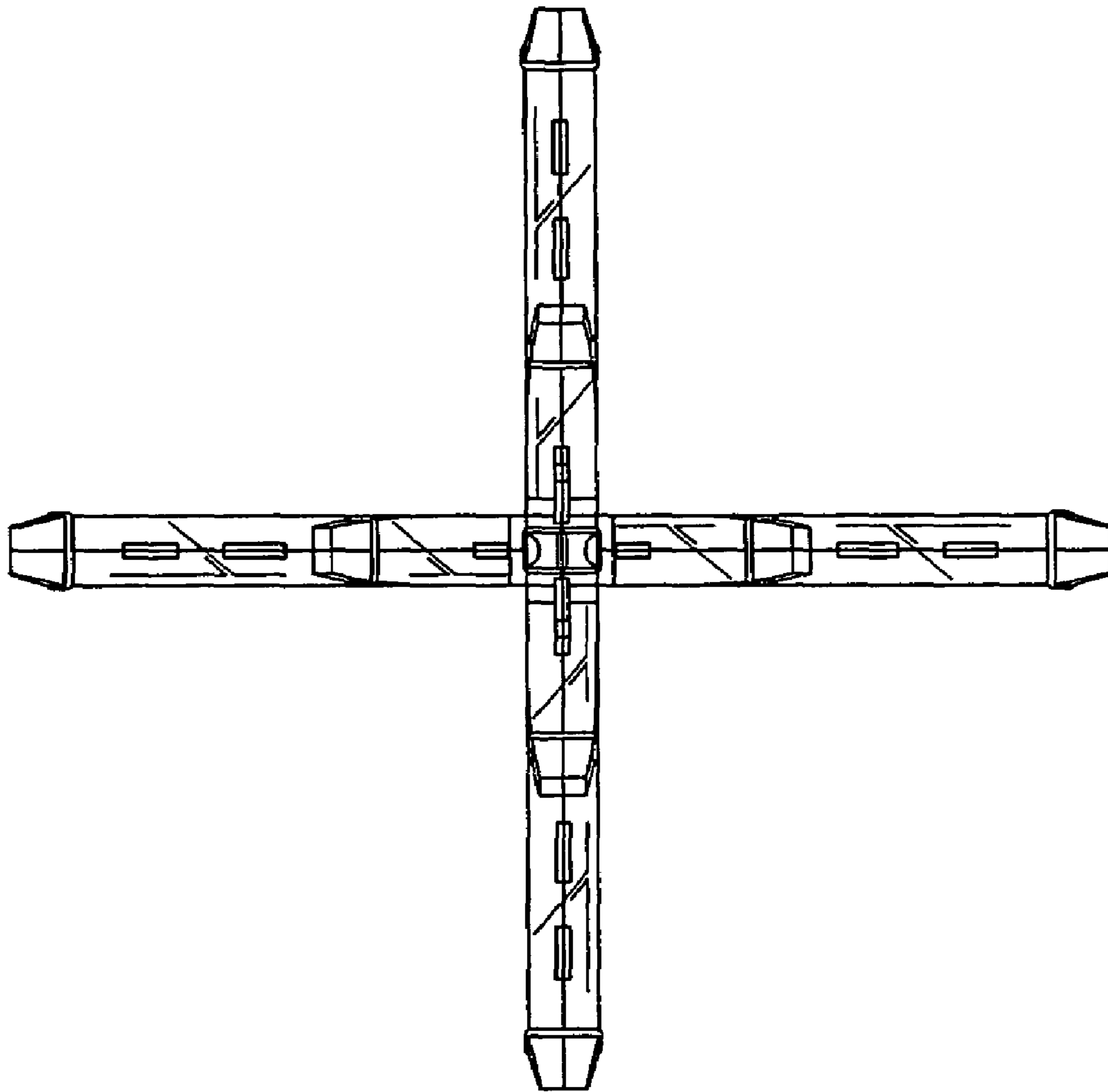


FIG.2

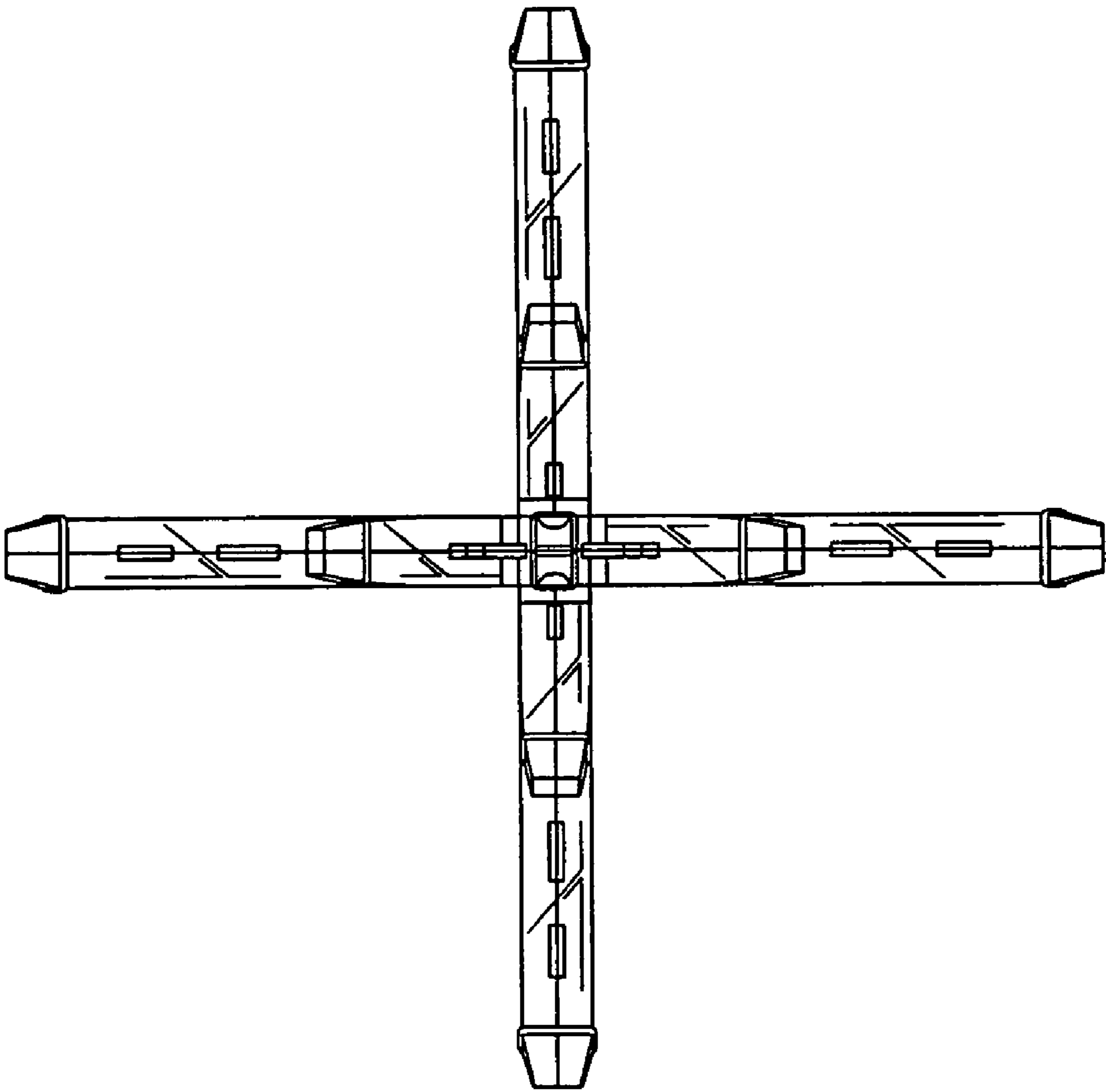


FIG.3

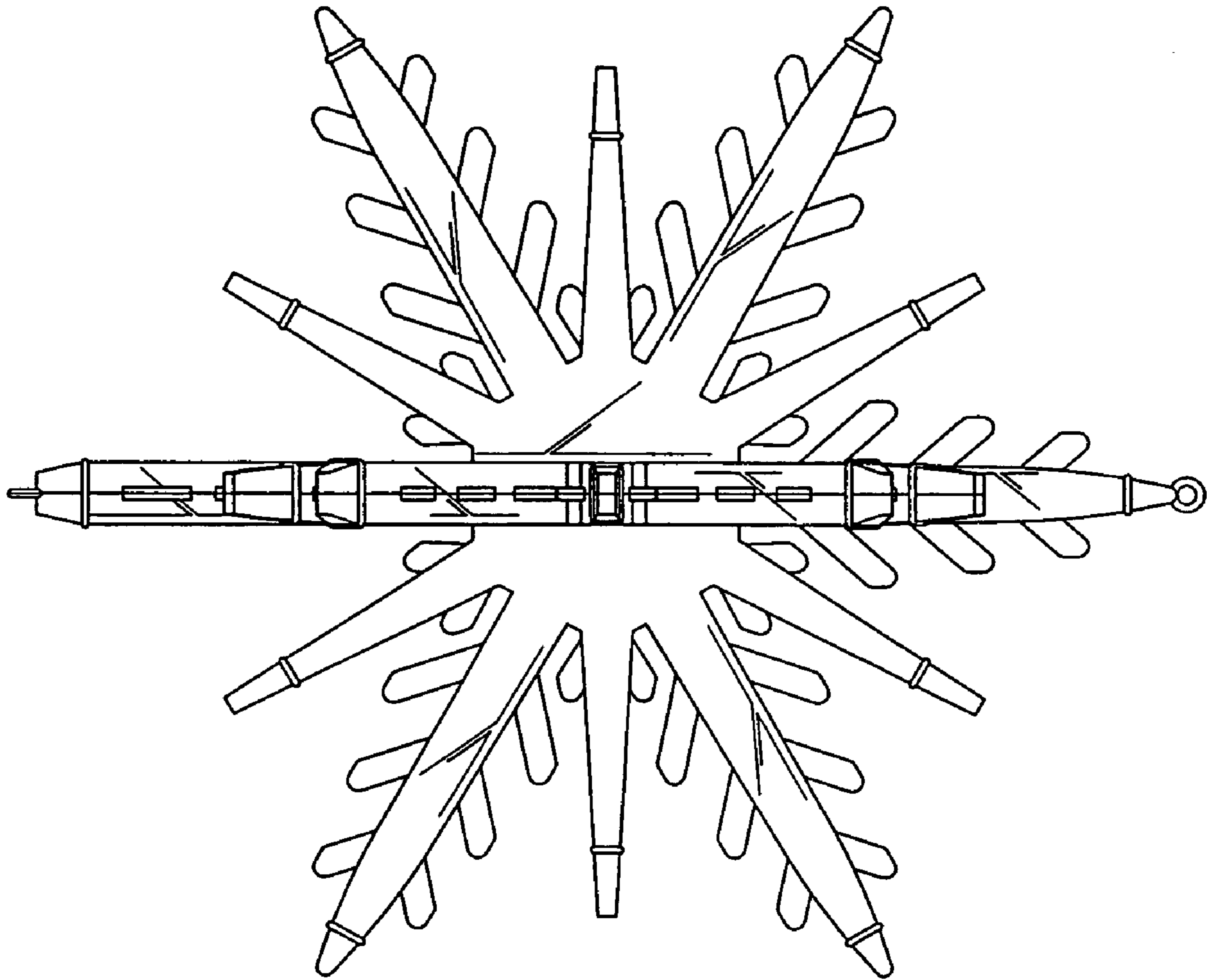


FIG.4

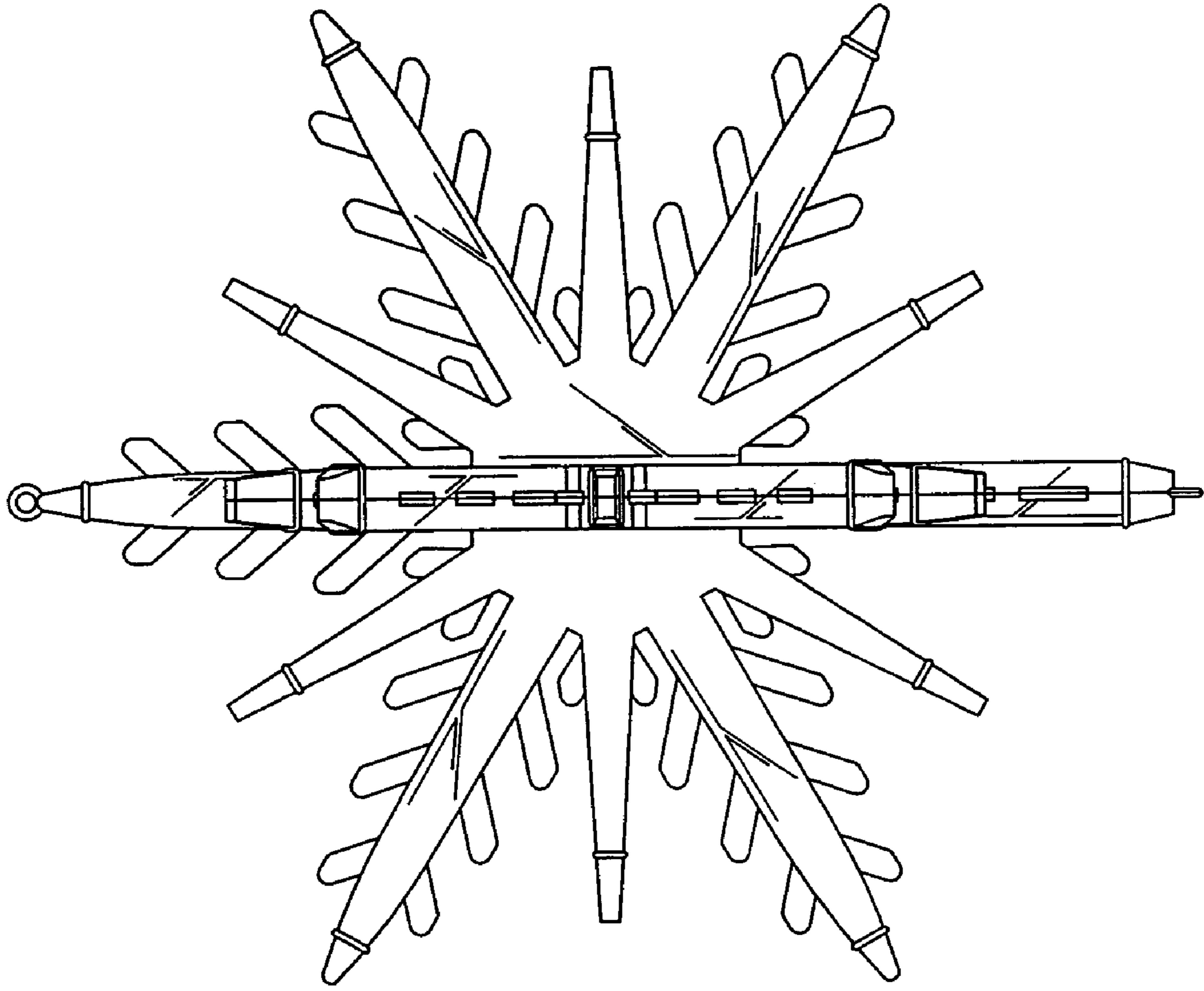


FIG.5

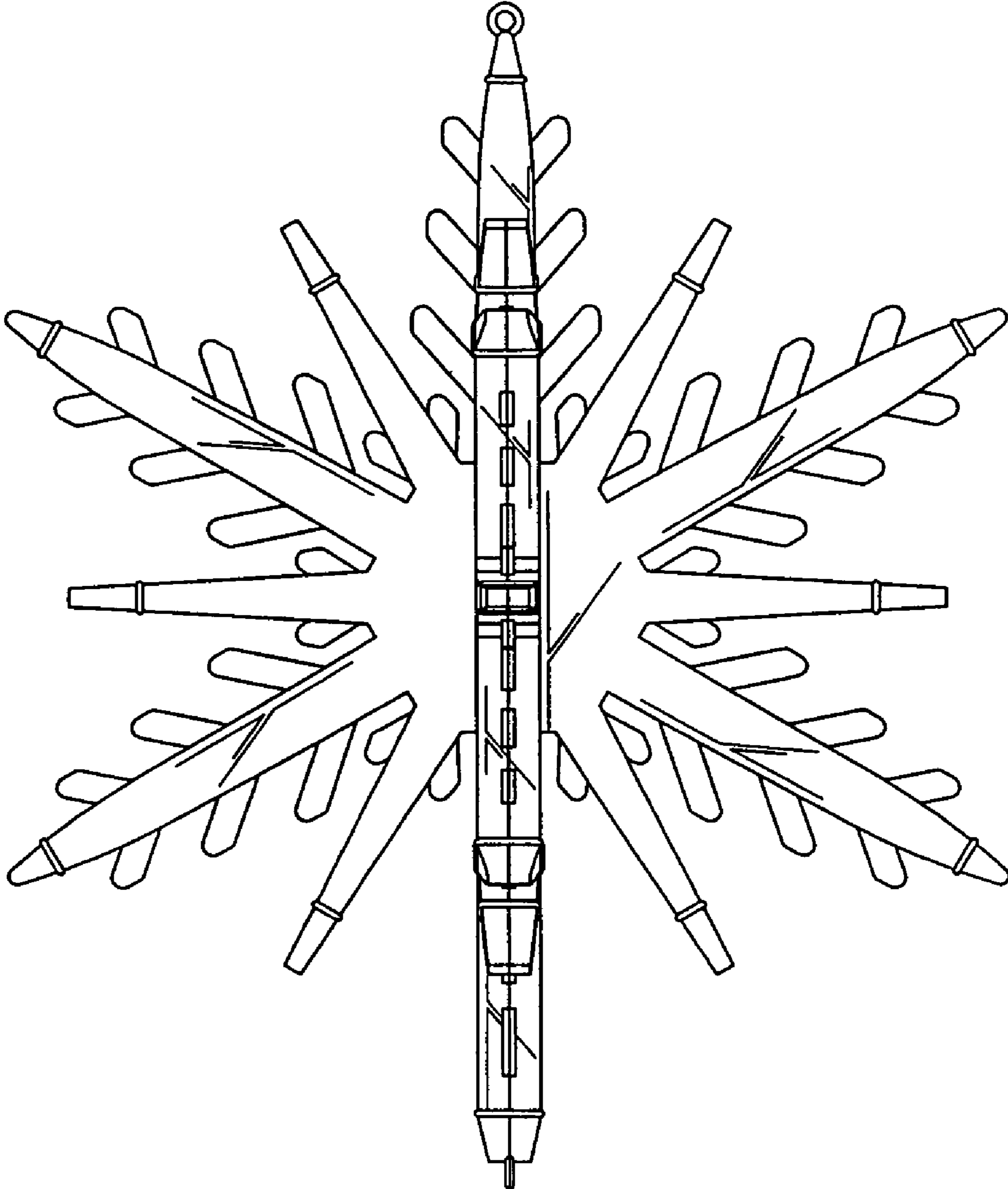


FIG.6

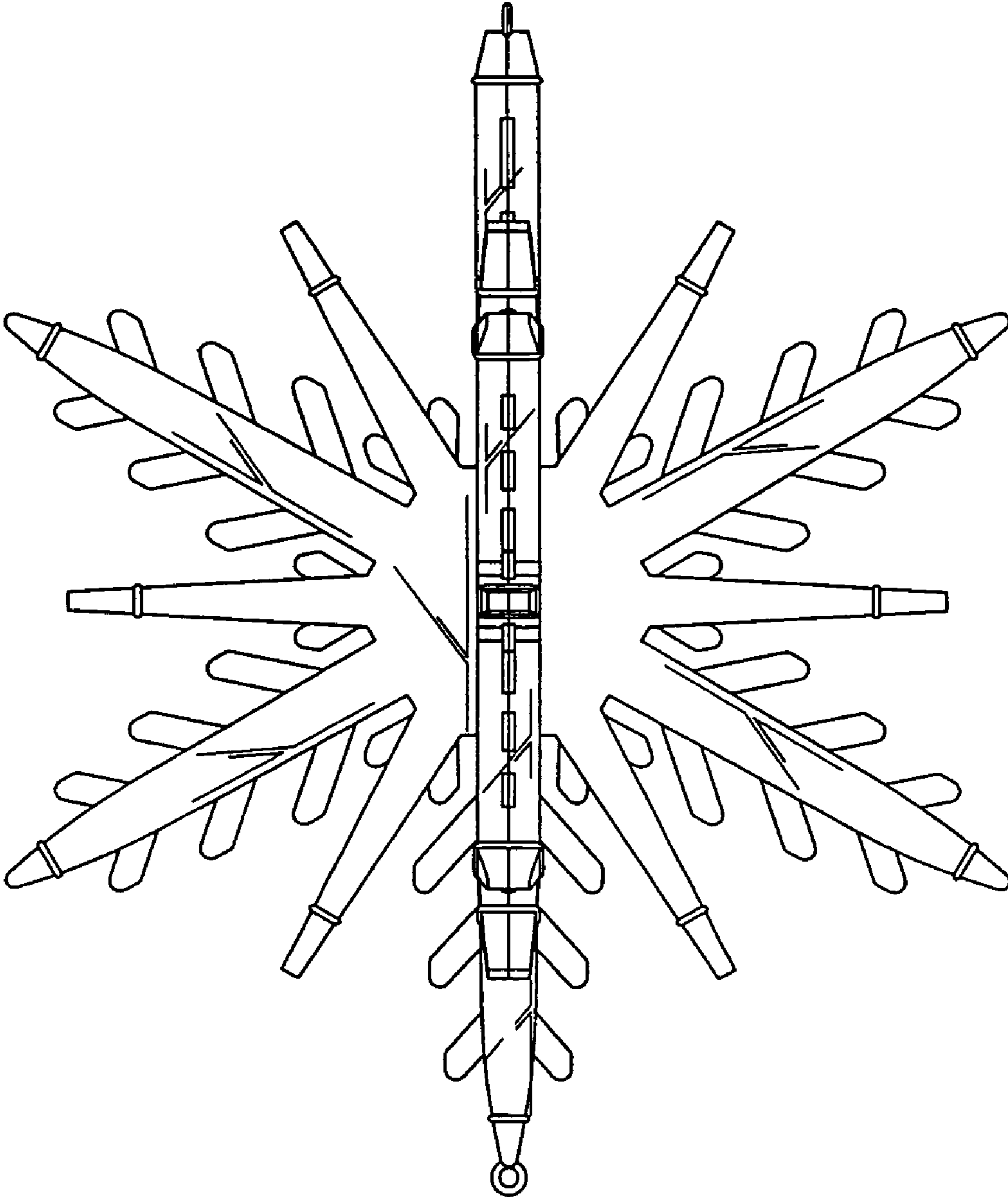


FIG. 7