



US00D600152S

(12) **United States Design Patent**
Stack et al.

(10) **Patent No.:** **US D600,152 S**

(45) **Date of Patent:** **** Sep. 15, 2009**

(54) **MOTION SENSOR LAMP ADAPTOR**

D367,847 S * 3/1996 Tarulli et al. D13/158
D382,082 S * 8/1997 Huang et al. D26/142
D395,408 S * 6/1998 Wieseemann D10/106

(75) Inventors: **Mike Stack**, Wanaque, NJ (US); **Grady Schenck**, Walden, NY (US)

* cited by examiner

(73) Assignee: **American Tack and Hardware Co., Inc.**, Saddle River, NJ (US)

Primary Examiner—Caron Veynar

Assistant Examiner—George D Kirschbaum

(**) Term: **14 Years**

(74) *Attorney, Agent, or Firm*—Hedman & Costigan, PC; Kathleen A. Costigan

(21) Appl. No.: **29/330,247**

(57) **CLAIM**

(22) Filed: **Dec. 31, 2008**

The ornamental design for a motion sensor lamp adaptor, as shown and described.

(51) **LOC (9) Cl.** **10-05**

(52) **U.S. Cl.** **D10/104**

(58) **Field of Classification Search** D10/104,
D10/106, 70; 340/584, 567, 541, 501, 628,
340/693.6, 693.7, 693.11; D13/152, 169,
D13/171, 134, 125, 158; 709/217; 174/535;
248/218.4; 455/420; 361/674, 748; 362/431,
362/432; D14/155; 438/667; 250/353; 323/282;
315/246; D26/142

See application file for complete search history.

DESCRIPTION

FIG. 1 is a front and left side perspective view of a motion sensor lamp adaptor showing our new design;

FIG. 2 is a rear elevational view thereof;

FIG. 3 is a front elevational view thereof;

FIG. 4 is a right side elevational view thereof;

FIG. 5 is a left side elevational view thereof;

FIG. 6 is a bottom plan view thereof; and,

FIG. 7 is a top plan view thereof.

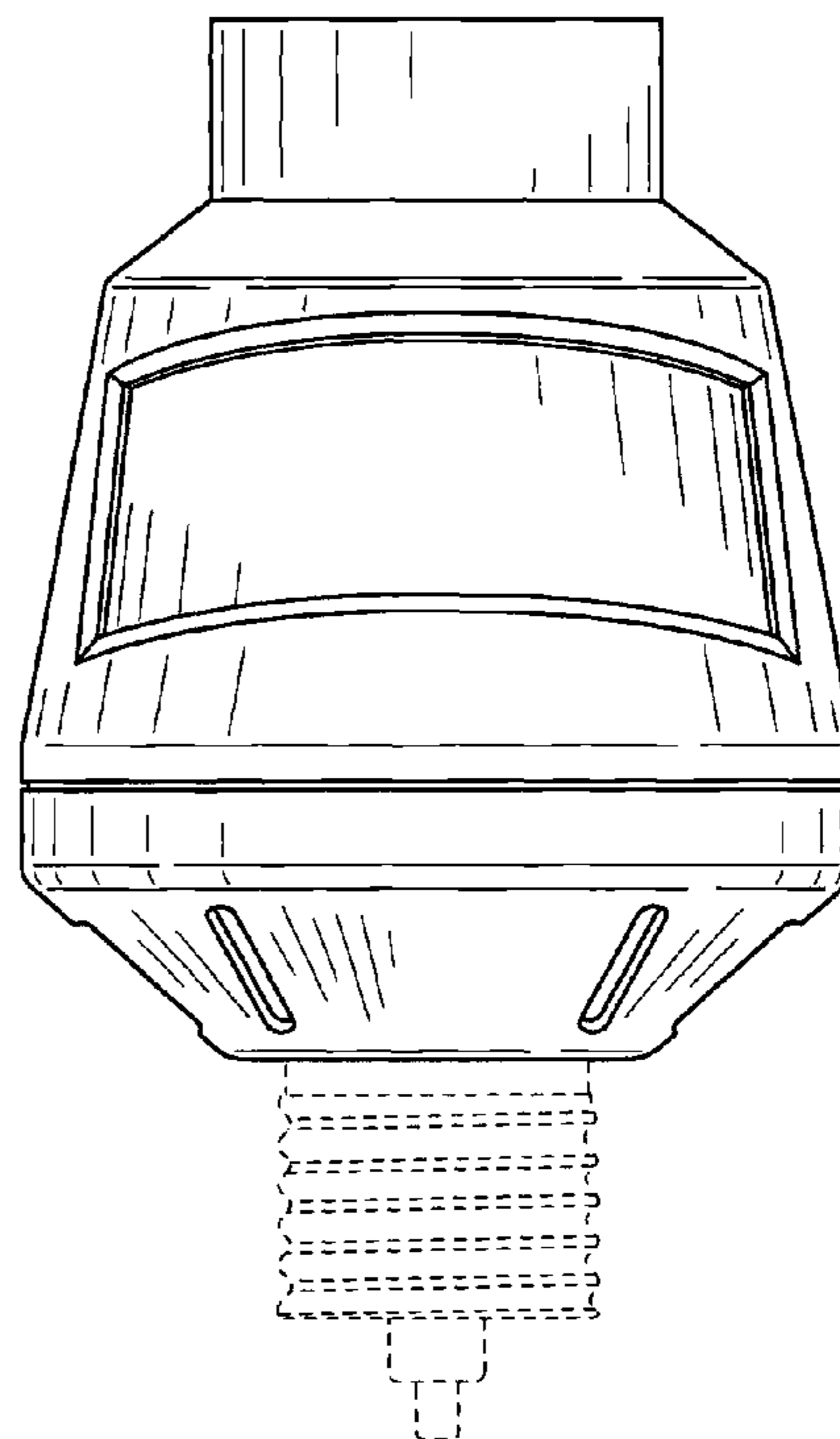
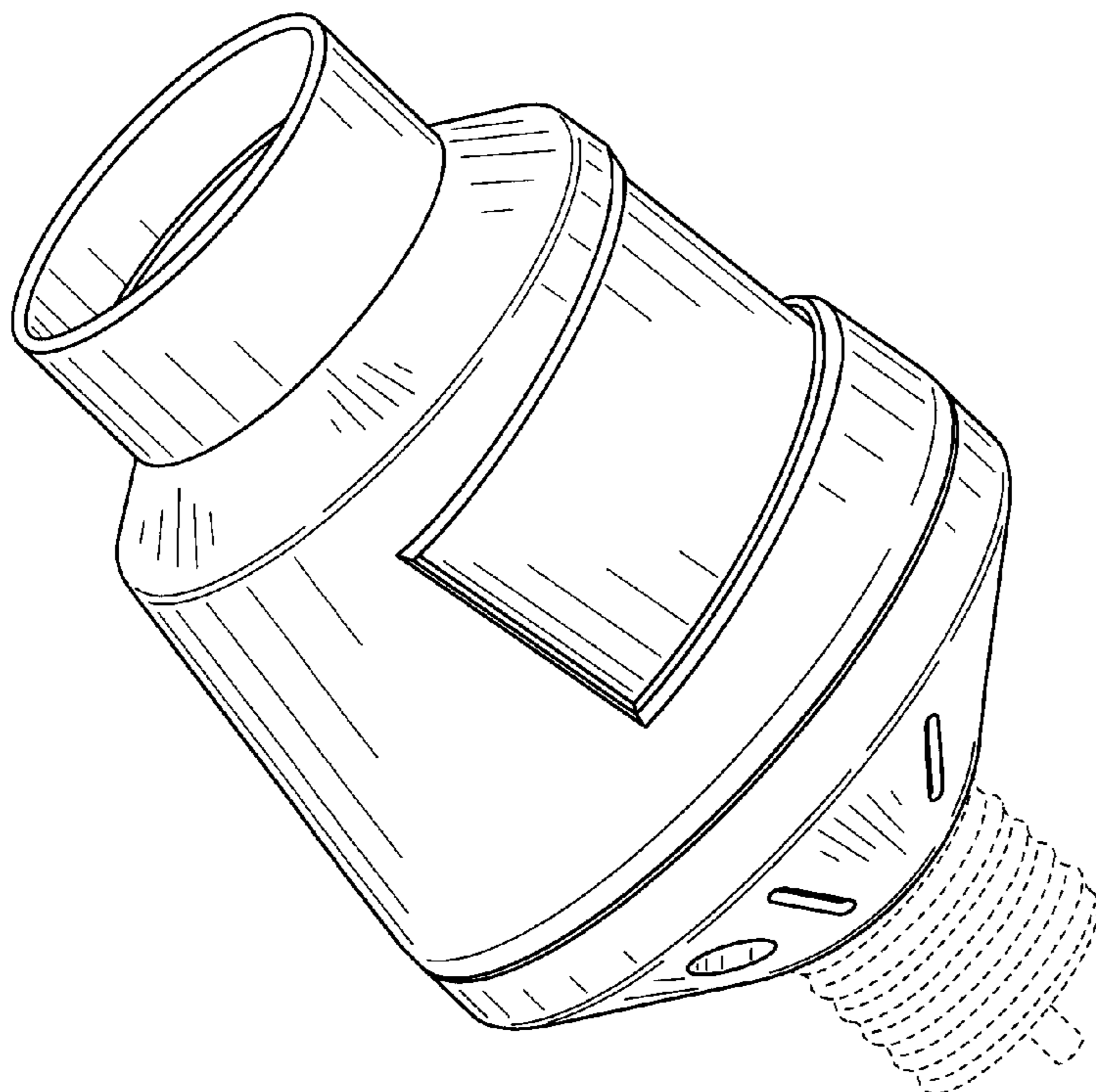
The broken-line disclosure of elements in the views are understood to be functional aspects of the article in which the design is embodied and form no part of the claimed design.

(56) **References Cited**

U.S. PATENT DOCUMENTS

D217,466 S * 5/1970 Garrett D13/125
D296,549 S * 7/1988 Fenne D13/134
D320,595 S * 10/1991 Fenne D13/158
D364,142 S * 11/1995 Metcalfe et al. D13/134

1 Claim, 4 Drawing Sheets



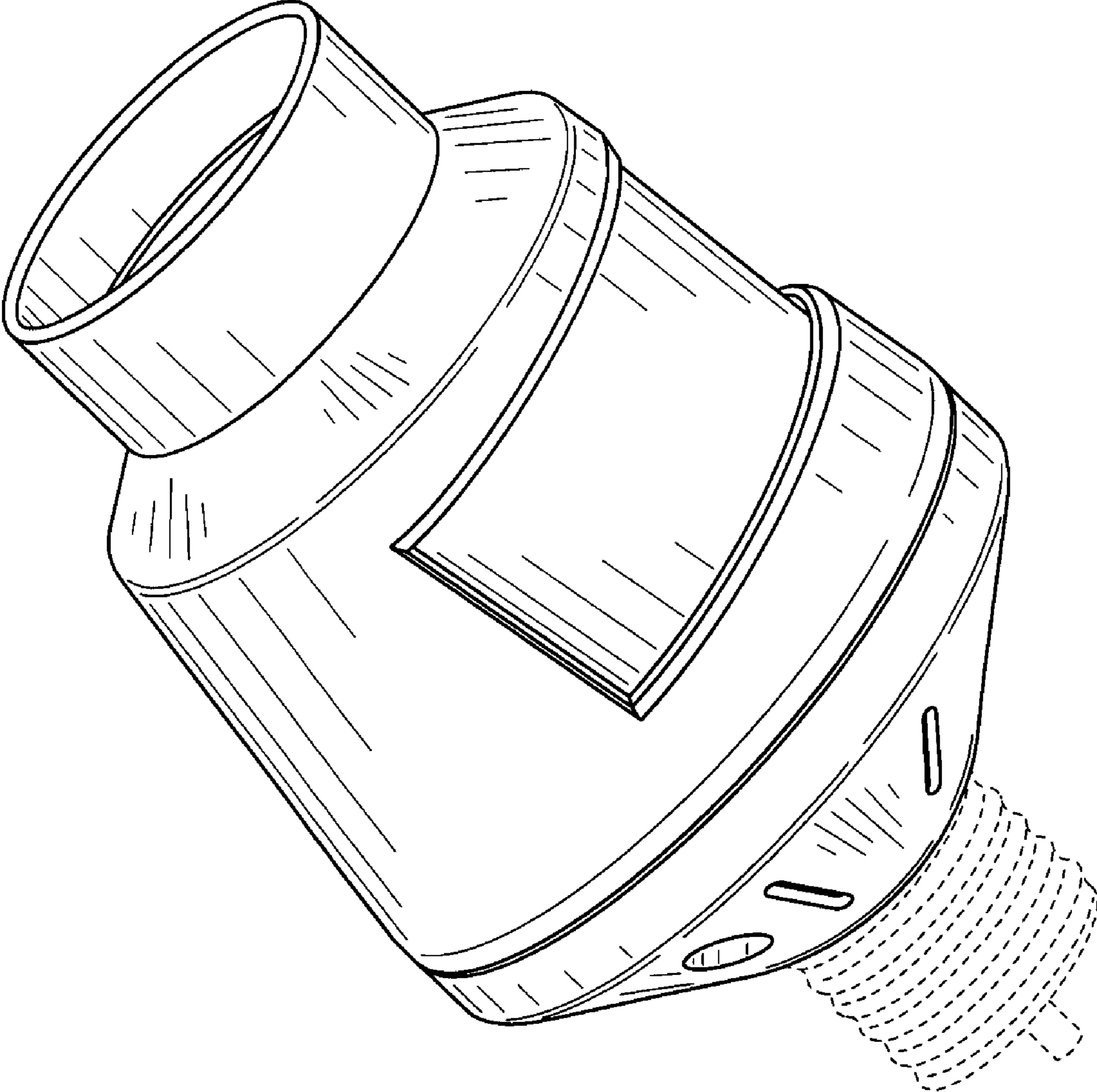


FIG. 1

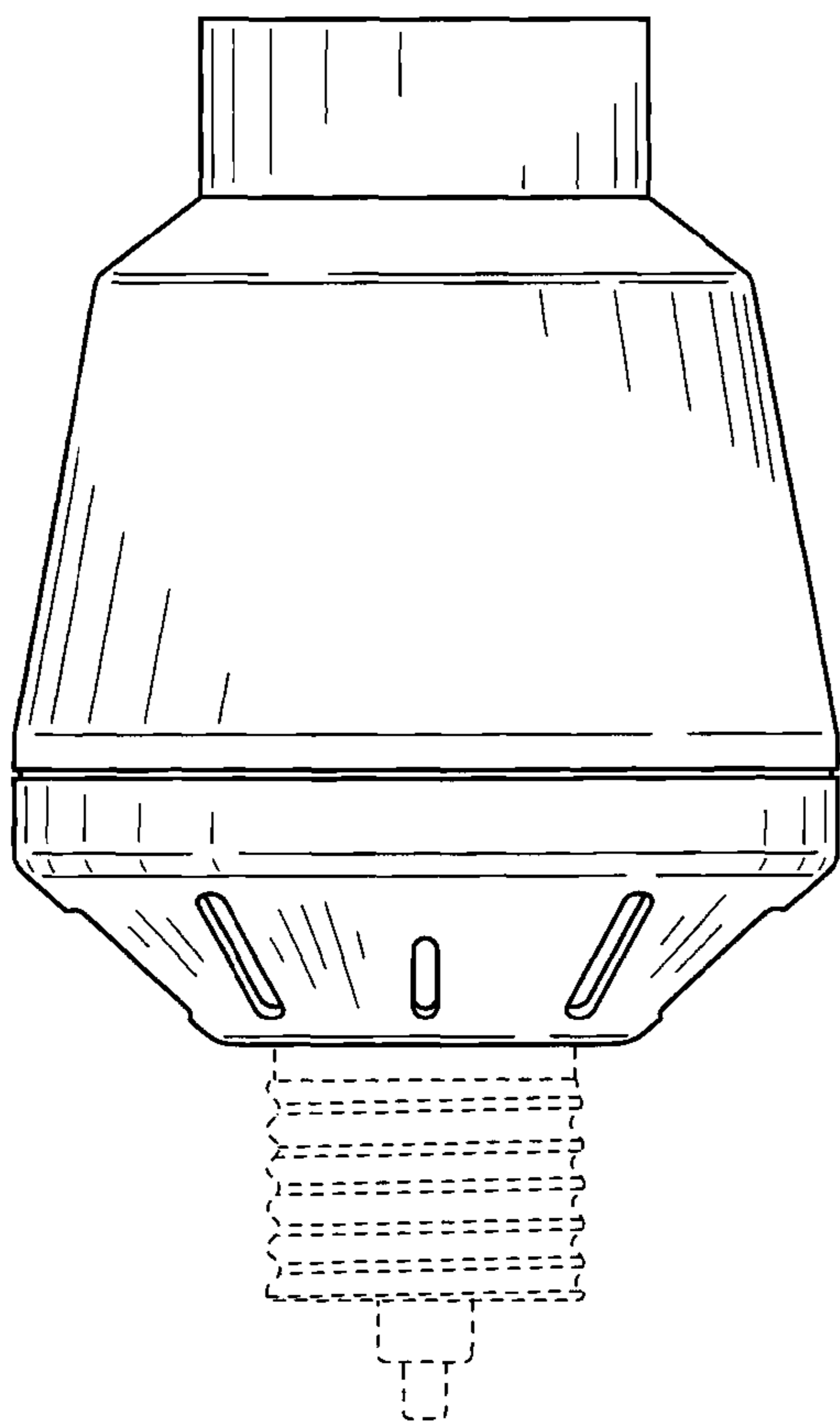


FIG. 2

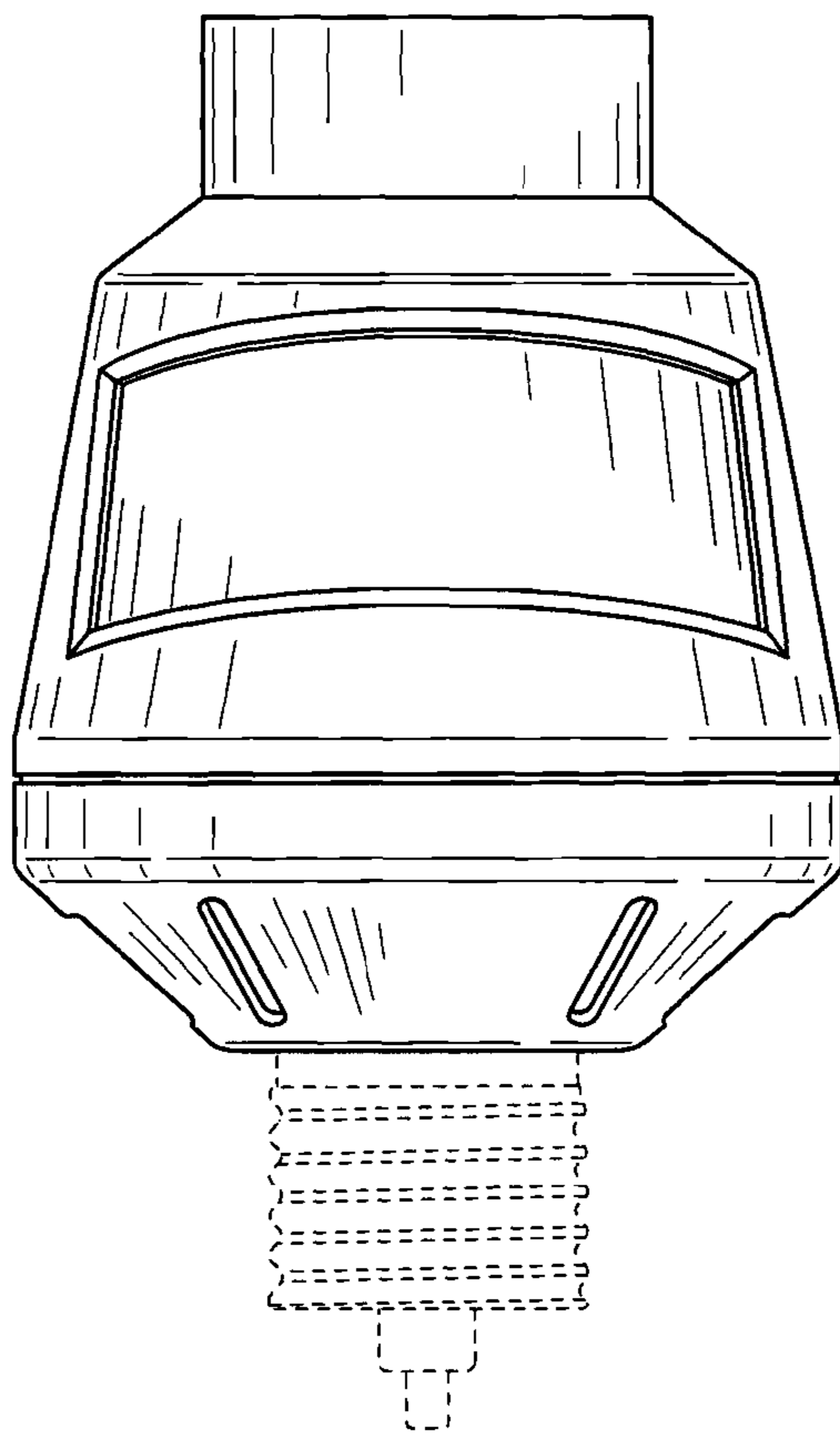


FIG. 3

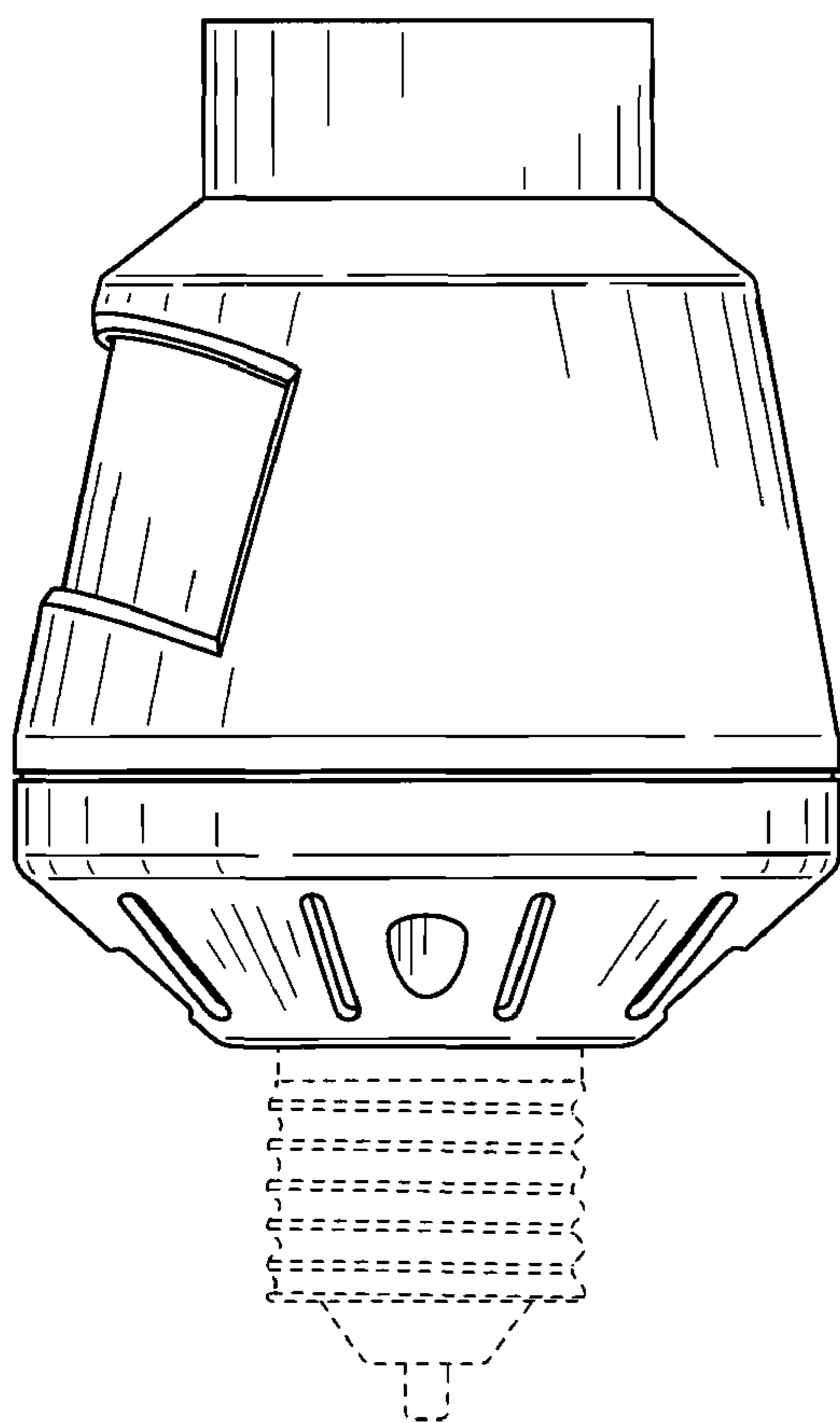


FIG. 4

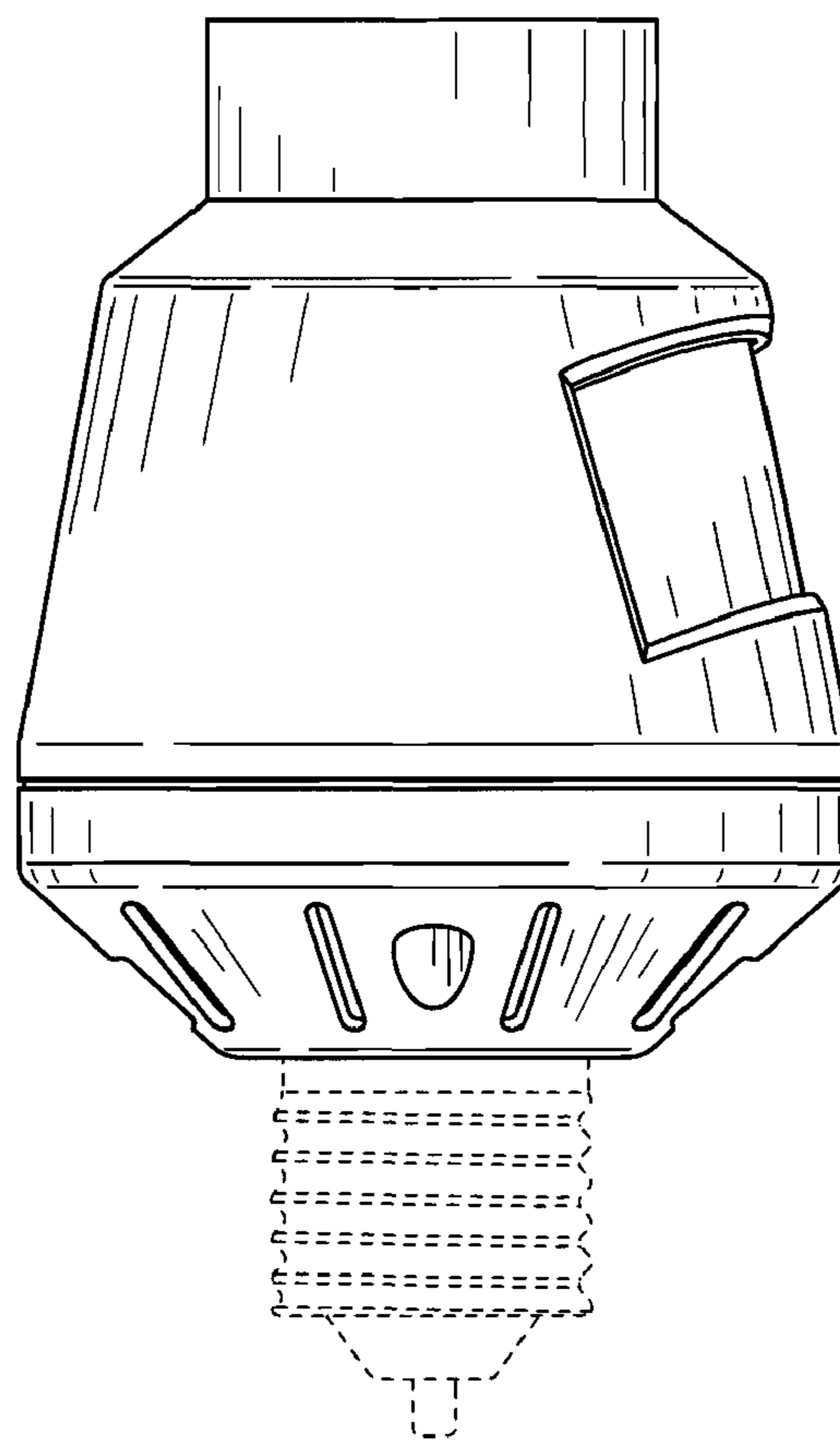


FIG. 5

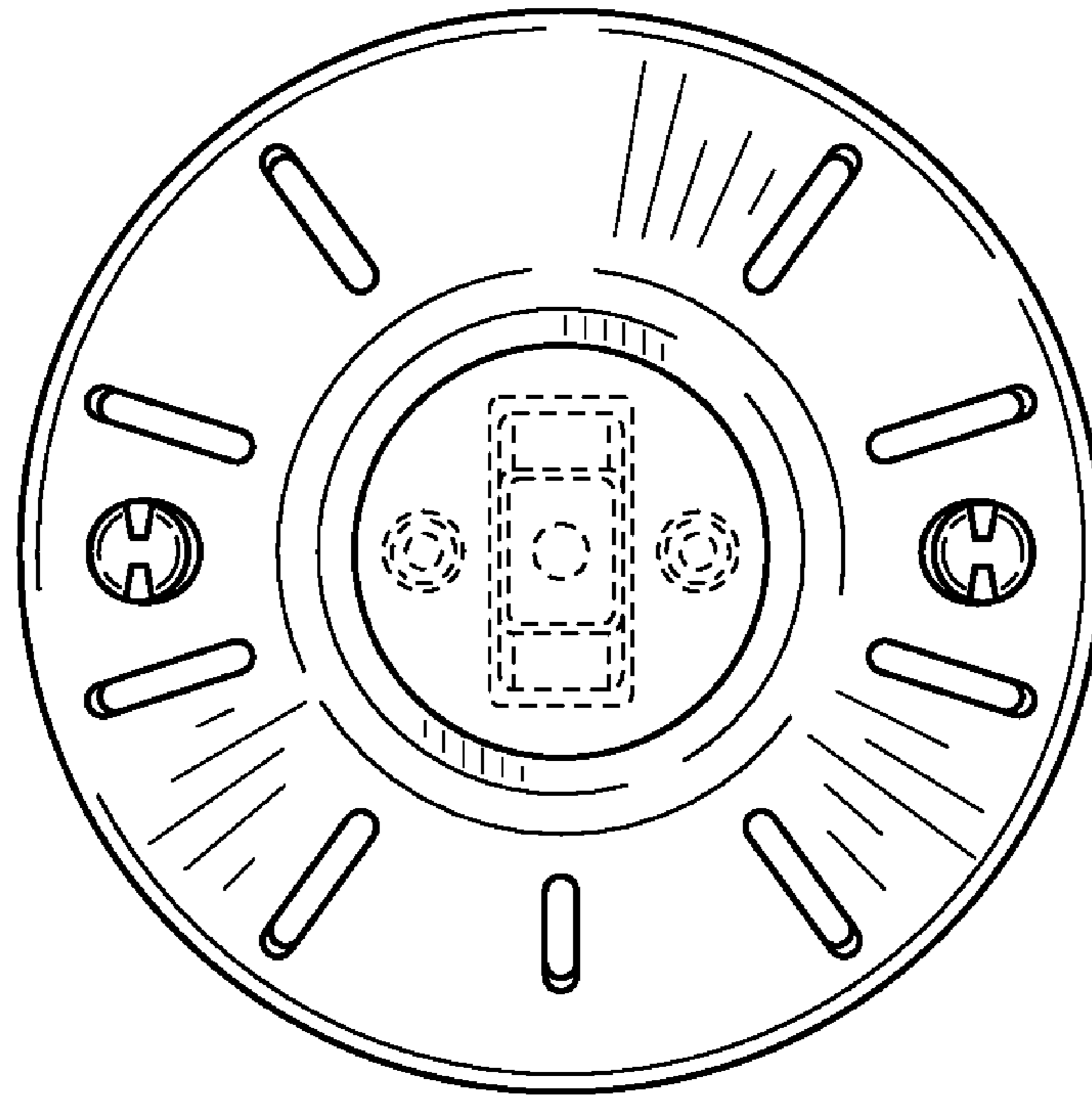


FIG. 6

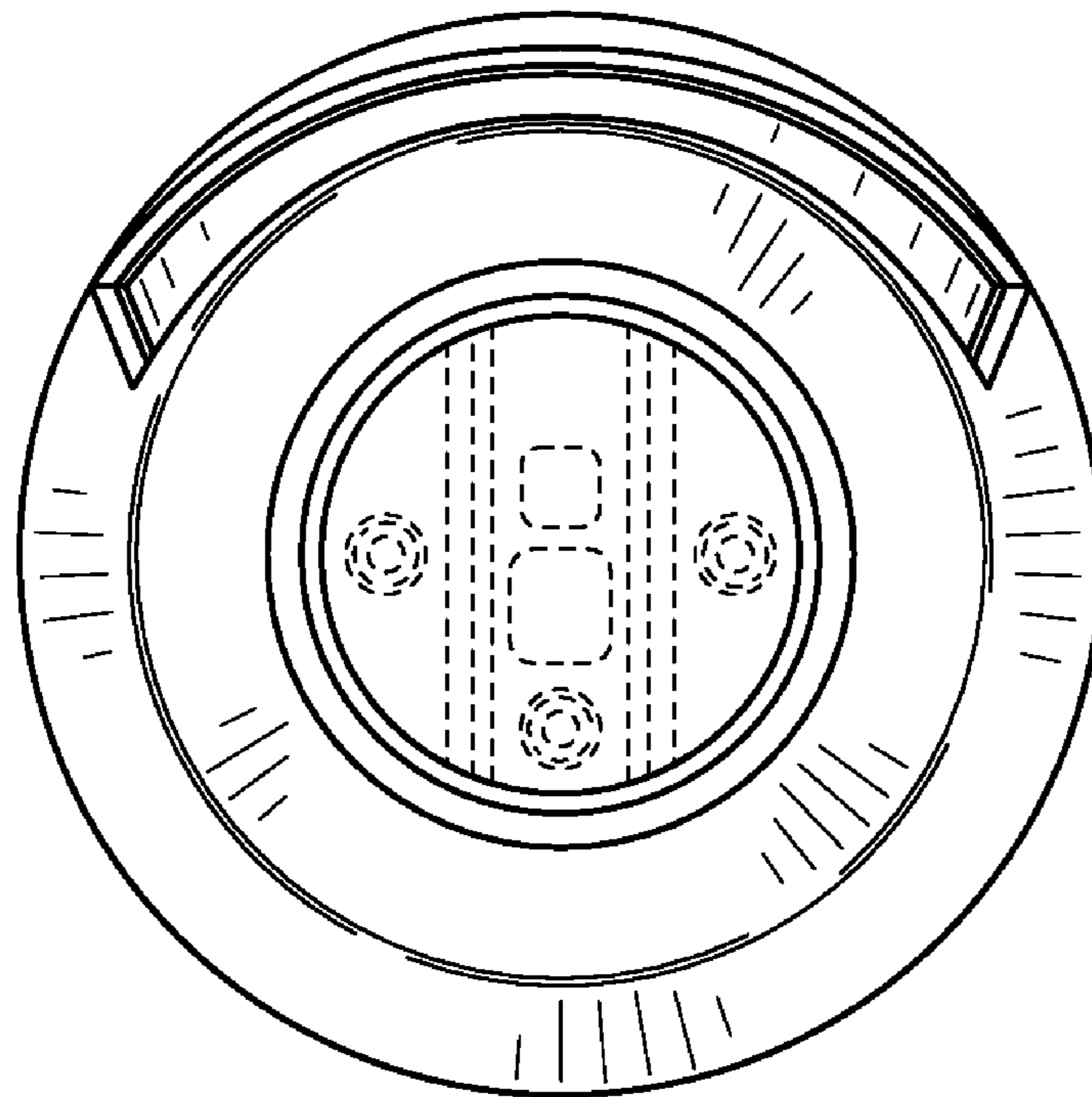


FIG. 7