



US00D600150S

(12) **United States Design Patent**
Kritzler

(10) **Patent No.:** **US D600,150 S**

(45) **Date of Patent:** **** Sep. 15, 2009**

(54) **WEIGHT SCALE**

(76) Inventor: **Ronald Kritzler**, 3330 NE. 190th St.,
Suite 2511, Miami, FL (US) 33180

(**) Term: **14 Years**

(21) Appl. No.: **29/336,201**

(22) Filed: **Apr. 29, 2009**

(51) **LOC (9) Cl.** **10-04**

(52) **U.S. Cl.** **D10/89**

(58) **Field of Classification Search** D10/87-92,
D10/94; 177/238-245, 210 R, 210 C, 25,
177/30, 25.15, 25.16, 25.13, 126, 127, DIG. 1;
600/506, 547

See application file for complete search history.

(56) **References Cited**

U.S. PATENT DOCUMENTS

D475,308 S * 6/2003 Muller et al. D10/89

D502,657 S * 3/2005 Liao D10/89

7,173,197 B1 * 2/2007 Kasperek 177/131

D575,178 S * 8/2008 Thybulle D10/89

D591,623 S * 5/2009 Taylor D10/89

* cited by examiner

Primary Examiner—Antoine D Davis

(74) *Attorney, Agent, or Firm*—Laurence A. Greenberg;
Werner H. Stemer; Ralph E. Locher

(57) **CLAIM**

The ornamental design for a weight scale, as shown and described.

DESCRIPTION

FIG. 1 is a front, perspective view of a weight scale showing my new design;

FIG. 2 is a rear, perspective view thereof;

FIG. 3 is a perspective view thereof;

FIG. 4 is right-side view thereof;

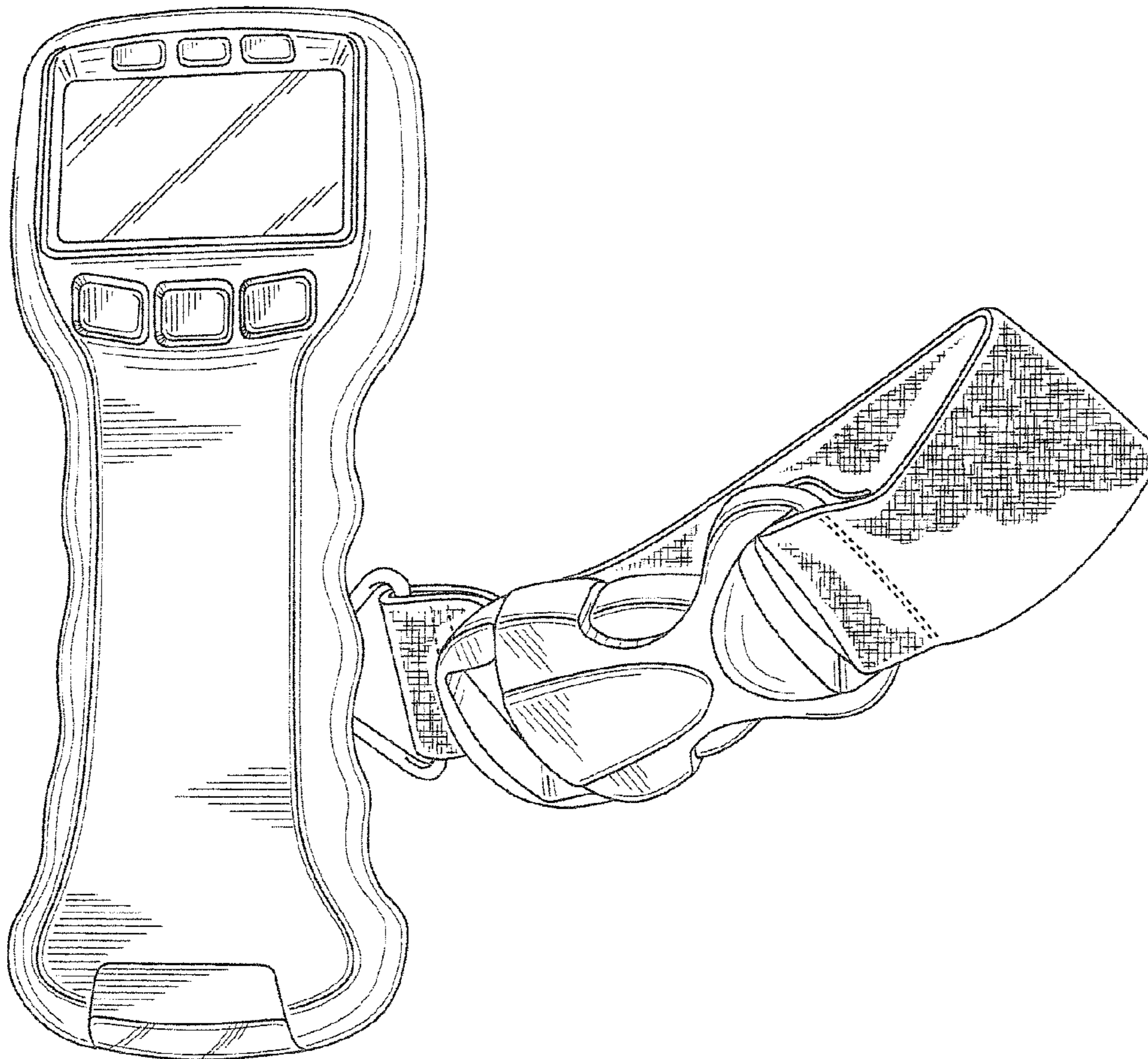
FIG. 5 is a perspective, side view thereof;

FIG. 6 is further perspective view thereof;

FIG. 7 is a top, plan view thereof; and,

FIG. 8 is a bottom, plan view thereof.

1 Claim, 7 Drawing Sheets



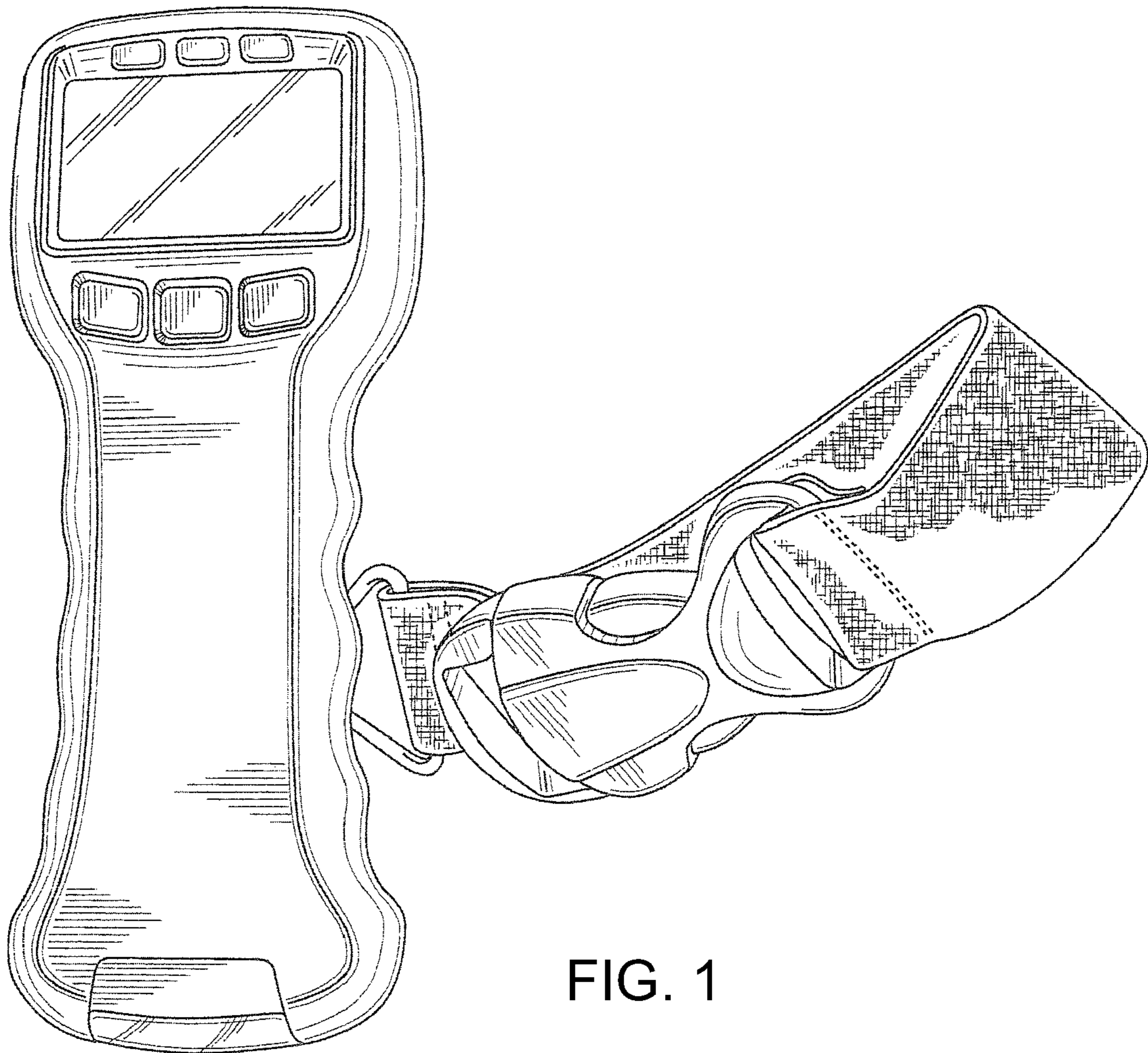


FIG. 1

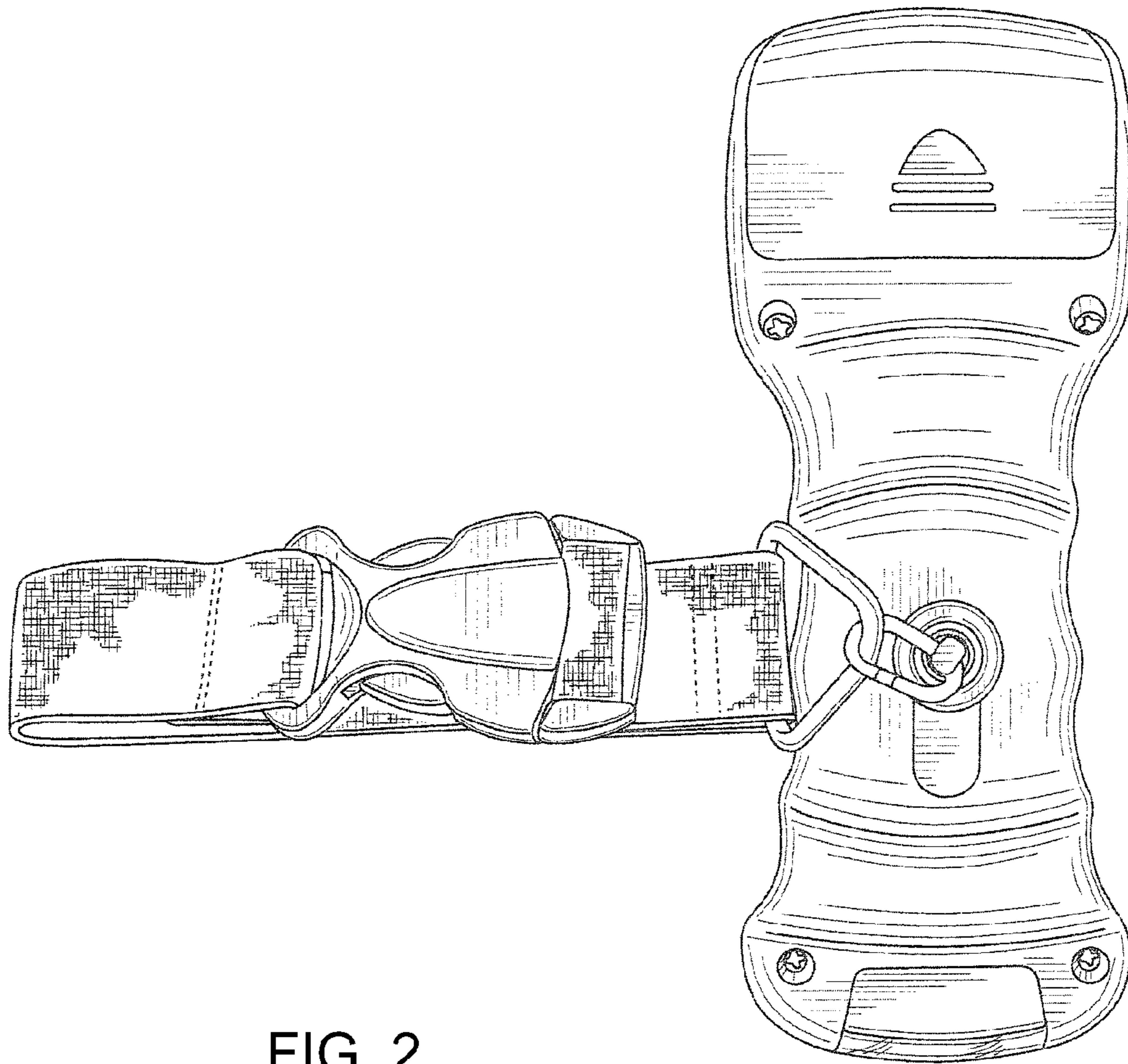


FIG. 2

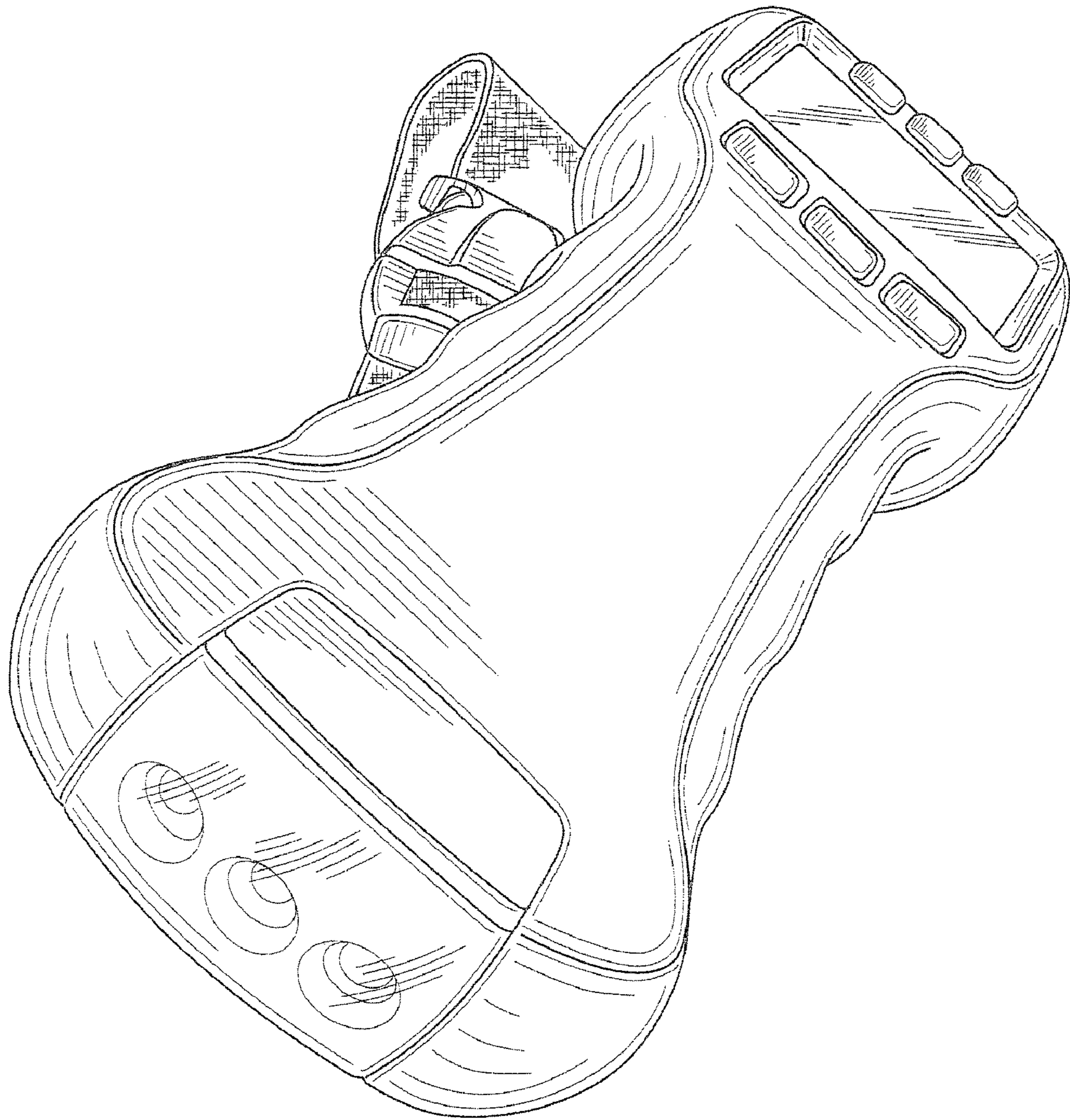


FIG. 3

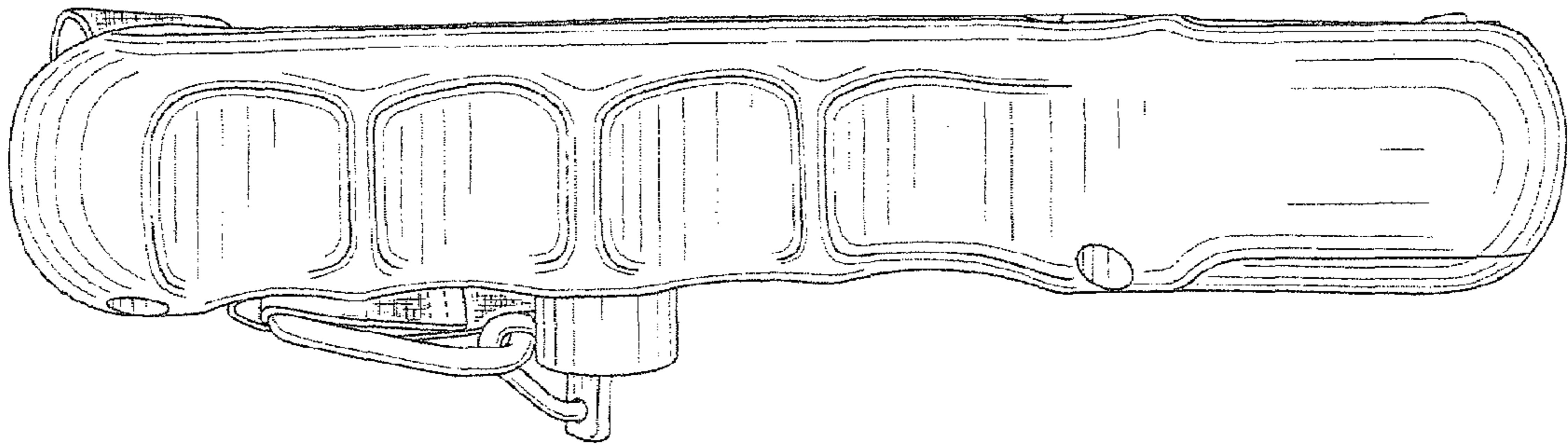


FIG. 4

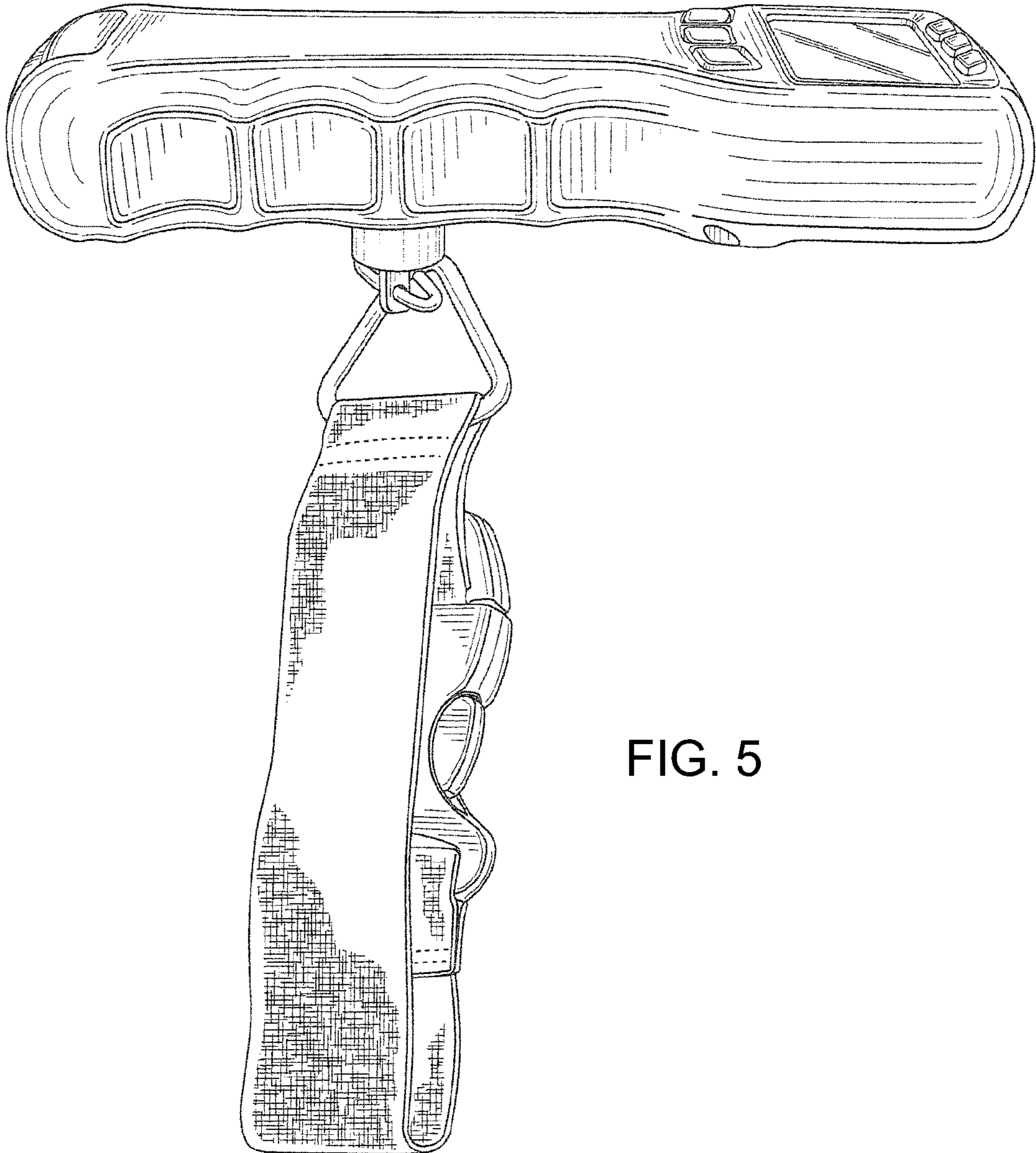


FIG. 5

FIG. 6

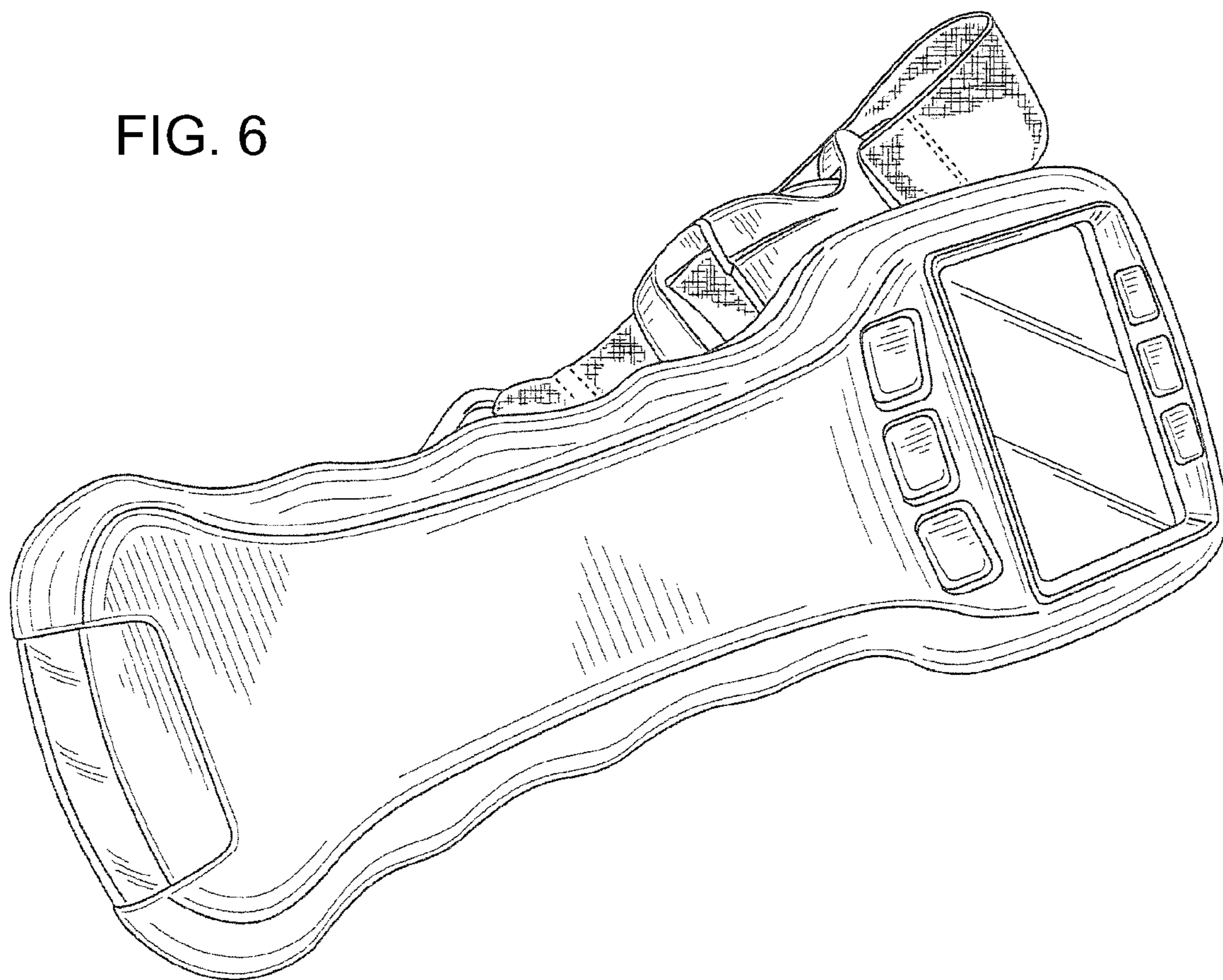


FIG. 7

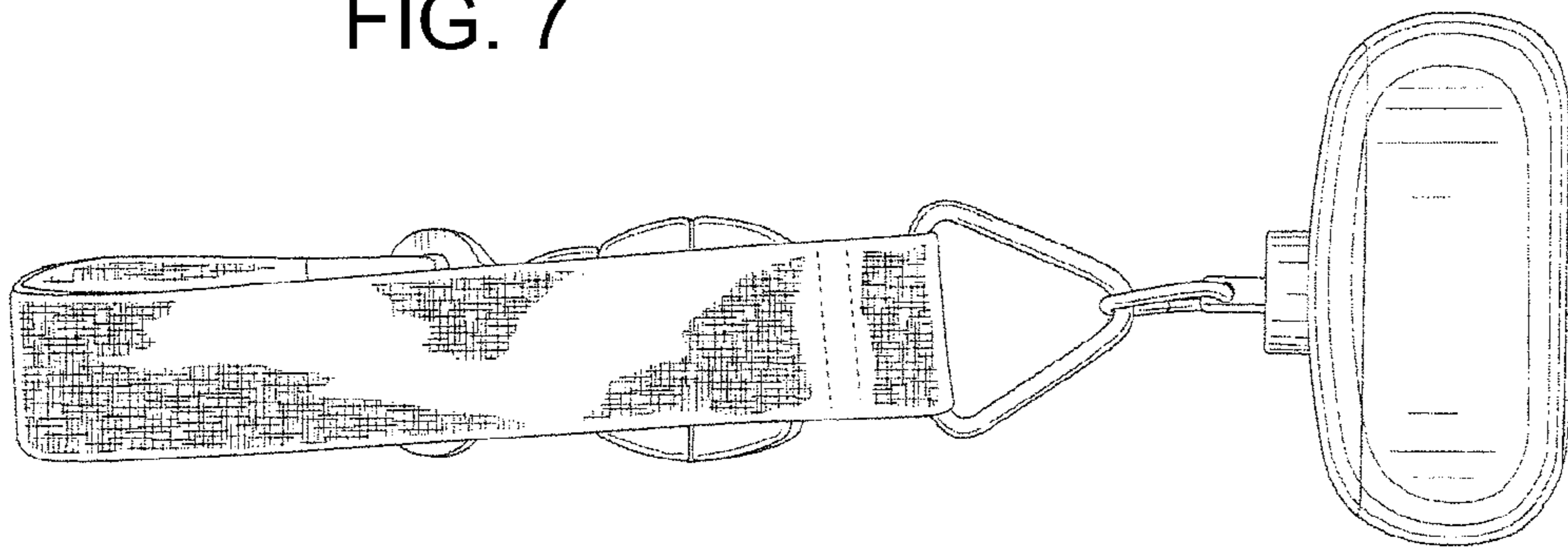


FIG. 8

