

US00D600136S

(12) **United States Design Patent**  
**Arora et al.**

(10) **Patent No.:** **US D600,136 S**  
(45) **Date of Patent:** **\*\* Sep. 15, 2009**

(54) **SCHOOL BUS SHOEBOX**

(76) Inventors: **Rajinder Arora**, 2117 SW. 151 Pl.,  
Miami, FL (US) 33185; **Kabeer Arora**,  
2117 SW. 151<sup>st</sup> Pl., Miami, FL (US)  
33185; **Krishan Arora**, 2117 SW. 151<sup>st</sup>  
Pl., Miami, FL (US) 33185

(\*\*) Term: **14 Years**

(21) Appl. No.: **29/293,660**

(22) Filed: **Dec. 5, 2007**

(51) **LOC (9) Cl.** ..... **09-01**

(52) **U.S. Cl.** ..... **D9/676**

(58) **Field of Classification Search** ..... D3/270–271.1,  
D3/271.11–271.12; D21/552; D9/600, 672,  
D9/675–676; 206/457, 459.5; 220/890;  
D7/539, 613, 619.2, 628

See application file for complete search history.

(56) **References Cited**

**U.S. PATENT DOCUMENTS**

D95,726 S	5/1935	Andrews	
D149,184 S	4/1948	Jolley	
2,621,098 A	12/1952	Ford et al.	
D282,032 S *	1/1986	Lemmeyer	D21/552
D287,112 S	12/1986	Legueu	
D309,643 S *	7/1990	Picozza et al.	D21/552
D337,517 S	7/1993	Hwang	
D349,632 S *	8/1994	Nicholson et al.	D7/613

D350,284 S	9/1994	Ran	
5,441,149 A *	8/1995	Willard et al.	206/457
D364,893 S *	12/1995	Willard et al.	D21/552
D371,959 S	7/1996	Hupp	
5,632,375 A *	5/1997	Mattikow	206/457
D388,952 S	1/1998	Rosell, Jr.	
D389,658 S *	1/1998	Holt	D6/632
D530,087 S	10/2006	Sofy et al.	
D536,260 S *	2/2007	Young et al.	D9/675

\* cited by examiner

*Primary Examiner*—Sandra Morris

(74) *Attorney, Agent, or Firm*—Malloy & Malloy, P.A.

(57) **CLAIM**

The ornamental design for a school bus shoebox, as shown and described.

**DESCRIPTION**

FIG. 1 is a front perspective view illustrating one embodiment of our design for a school bus shoebox;

FIG. 1A is a partially exploded view thereof;

FIG. 2 is a right side view thereof;

FIG. 3 is a front view thereof;

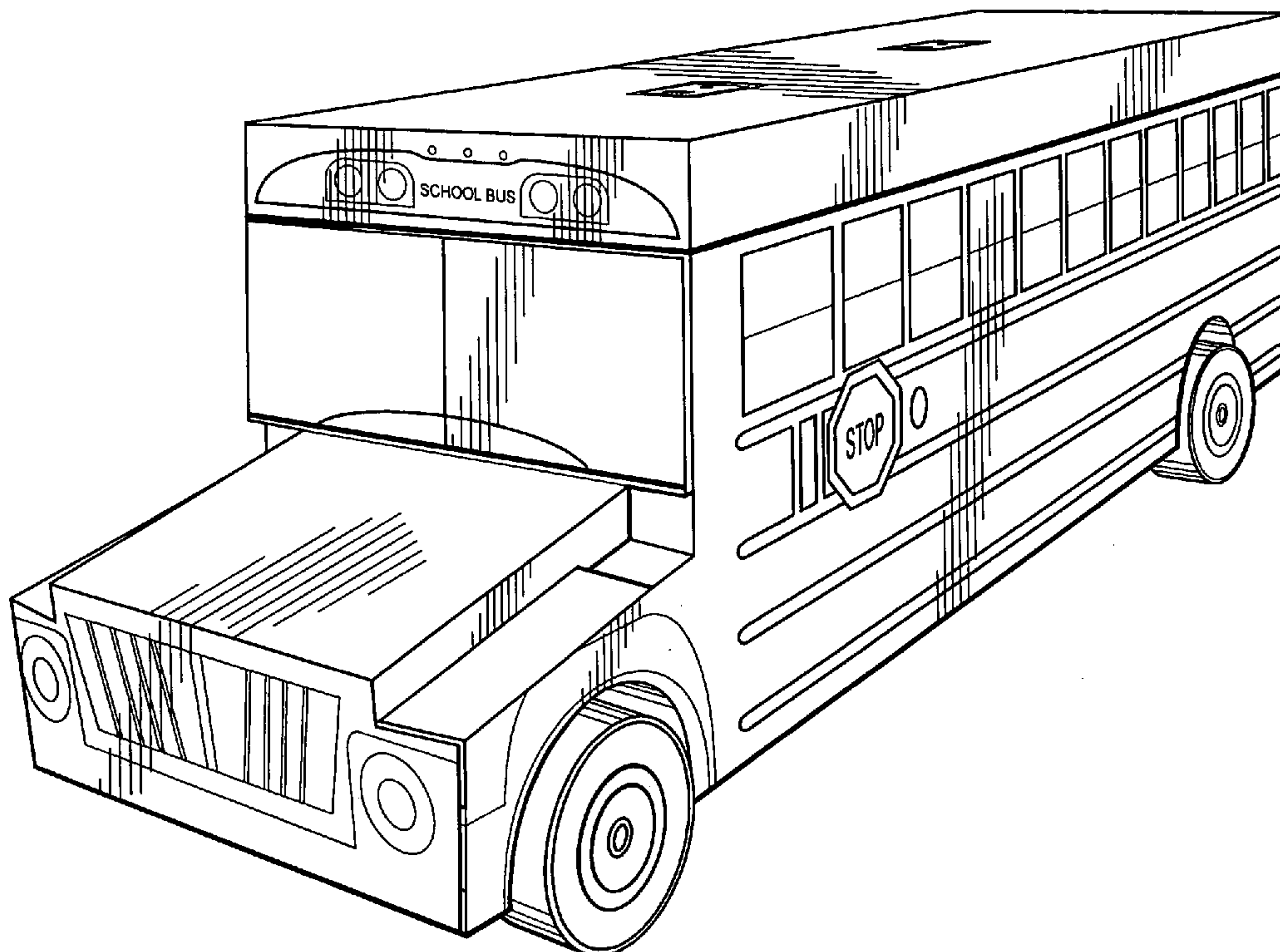
FIG. 4 is a top view thereof;

FIG. 5 is a rear view thereof;

FIG. 6 is a bottom view thereof; and,

FIG. 7 is a left side view thereof.

**1 Claim, 5 Drawing Sheets**



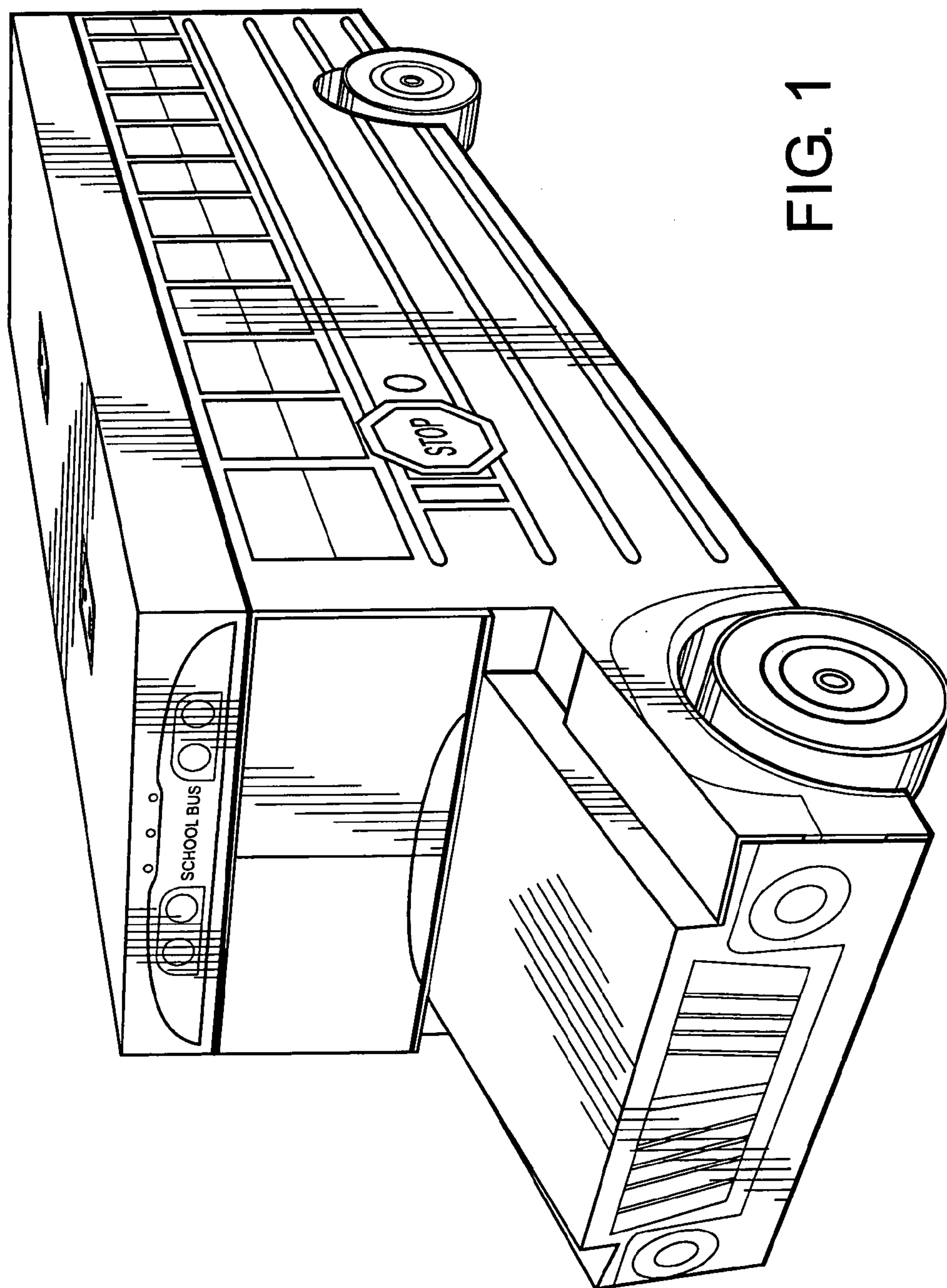


FIG. 1

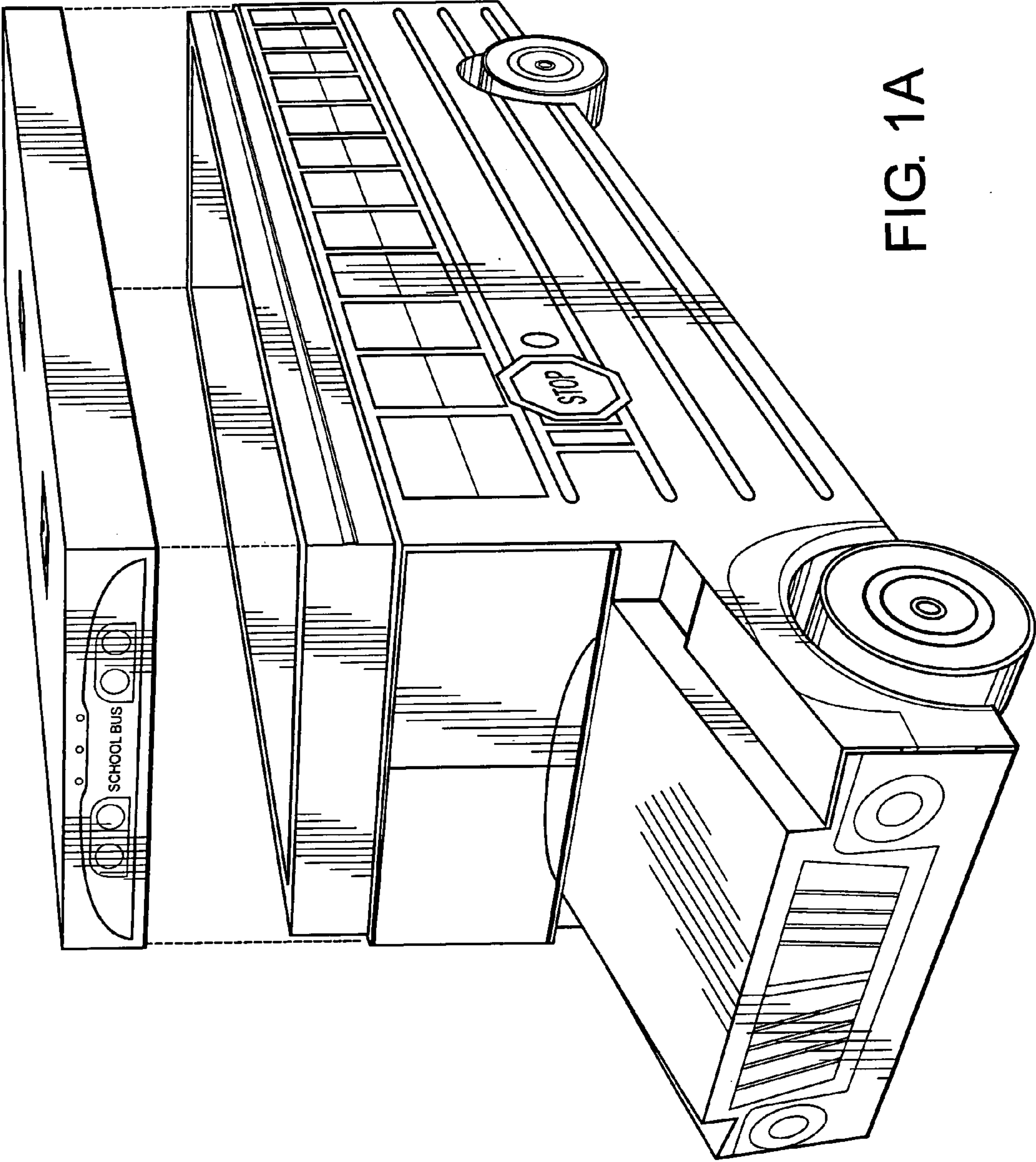


FIG. 1A

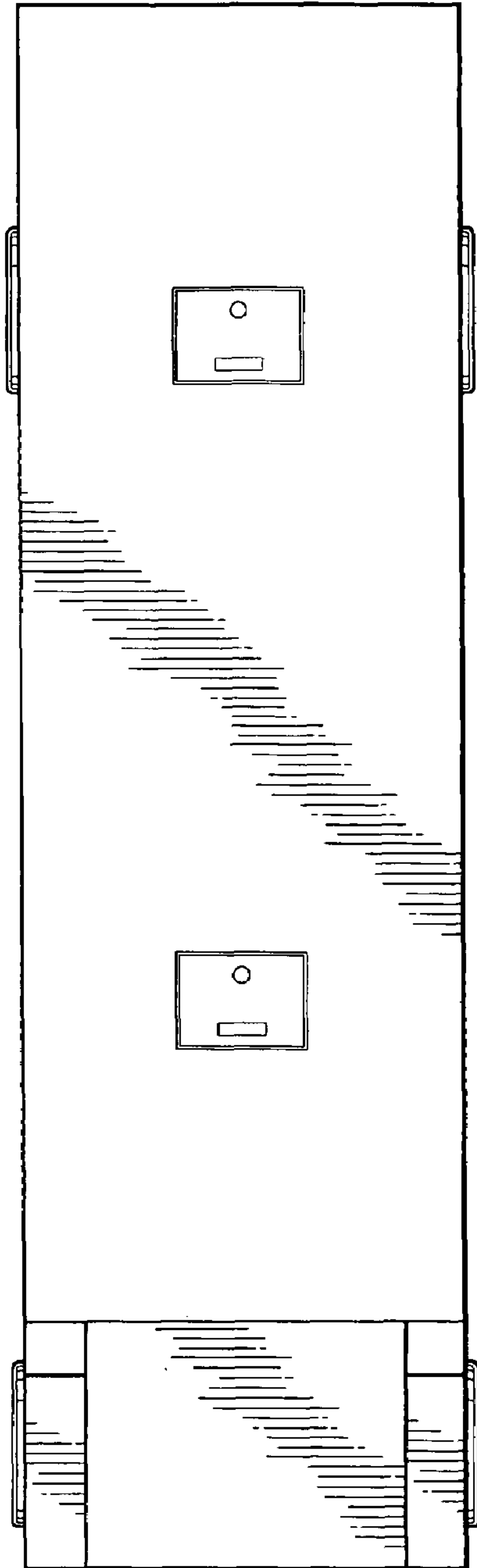


FIG. 4

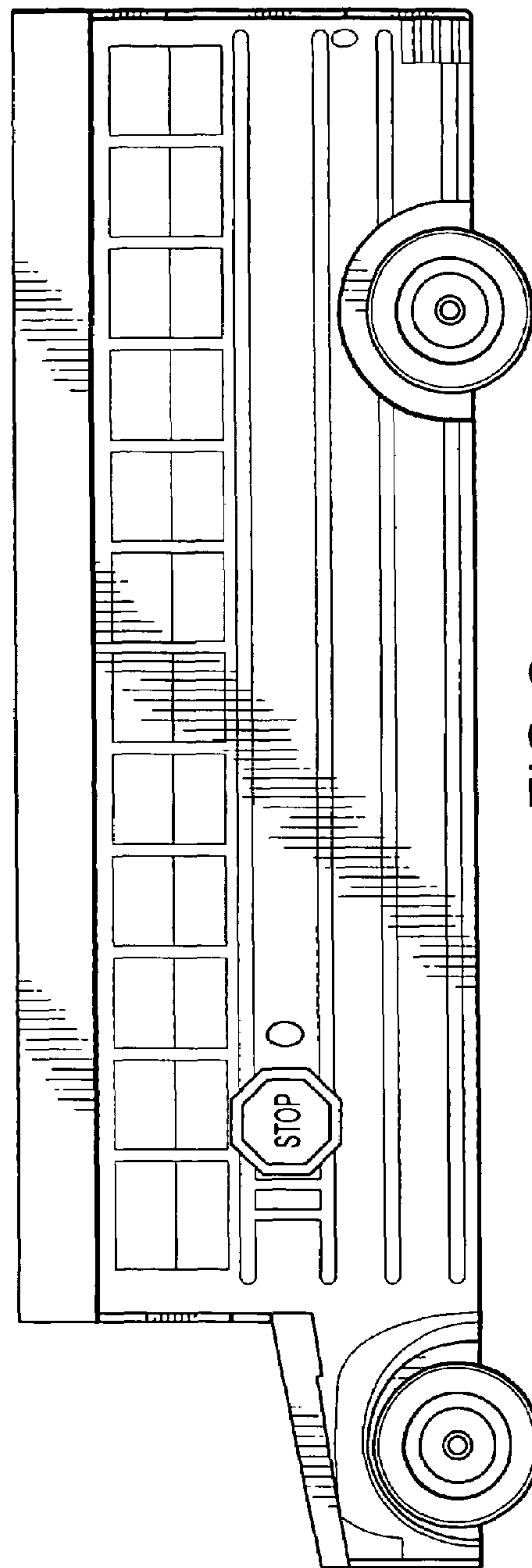


FIG. 2



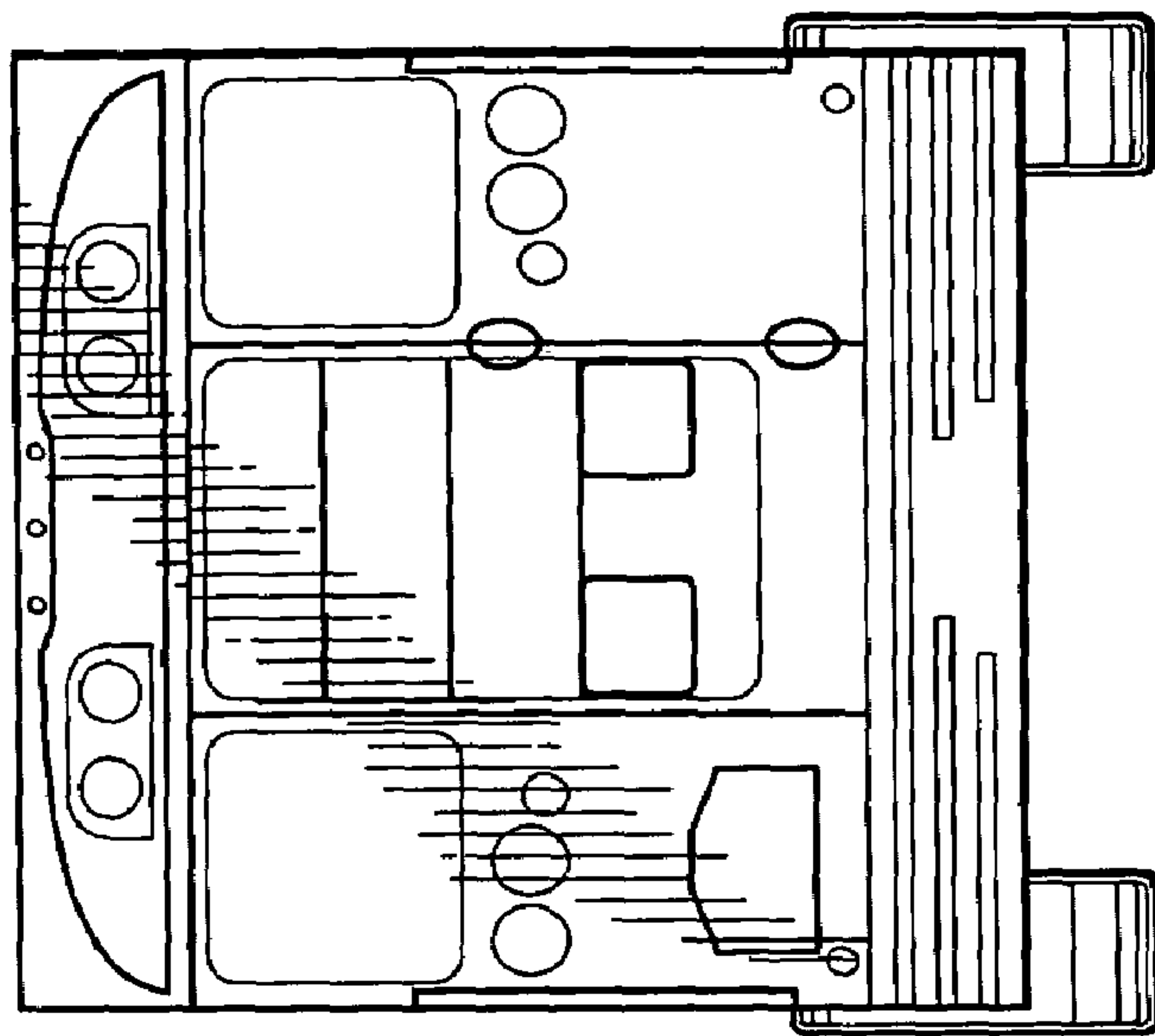


FIG. 5

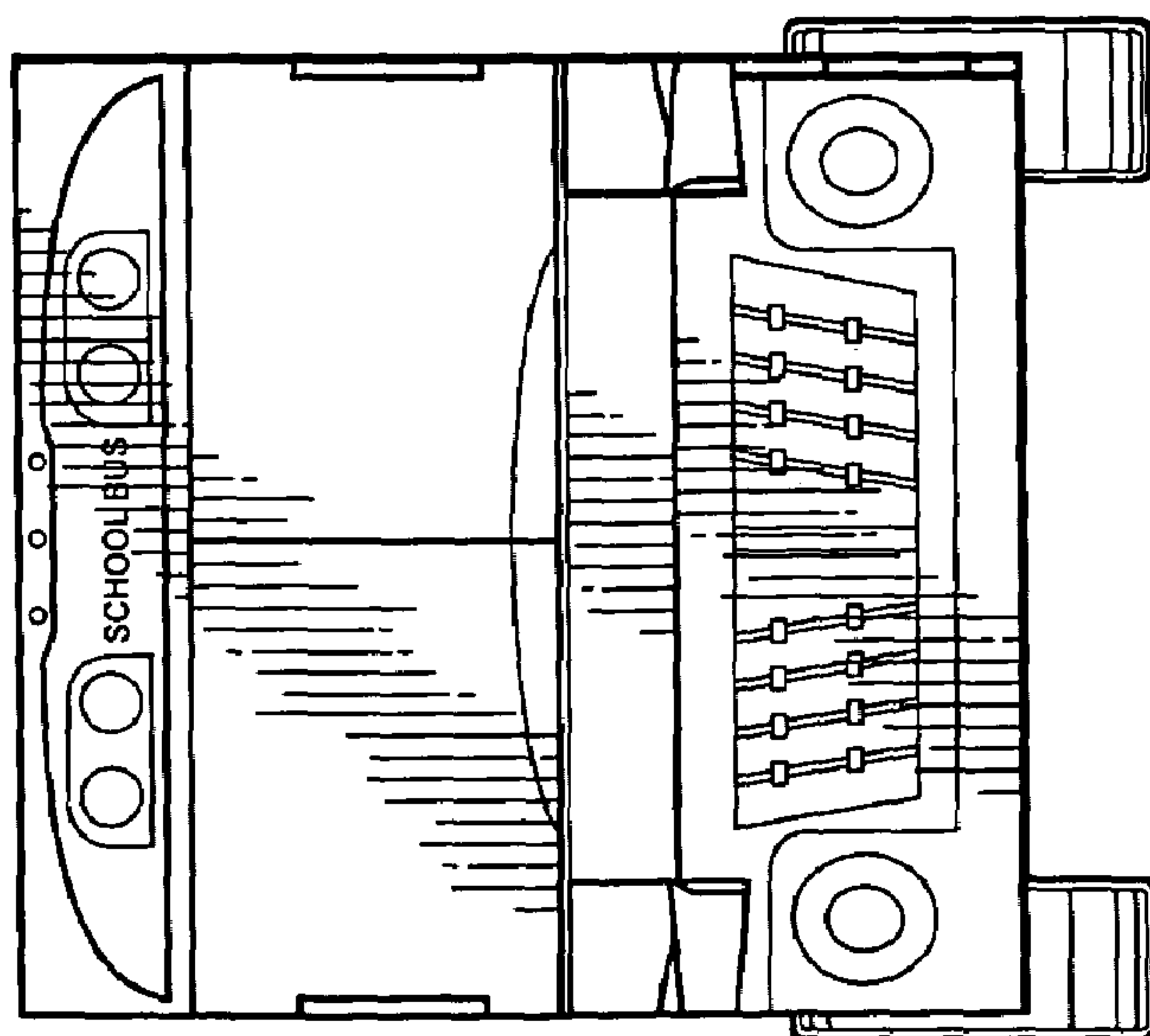


FIG. 3

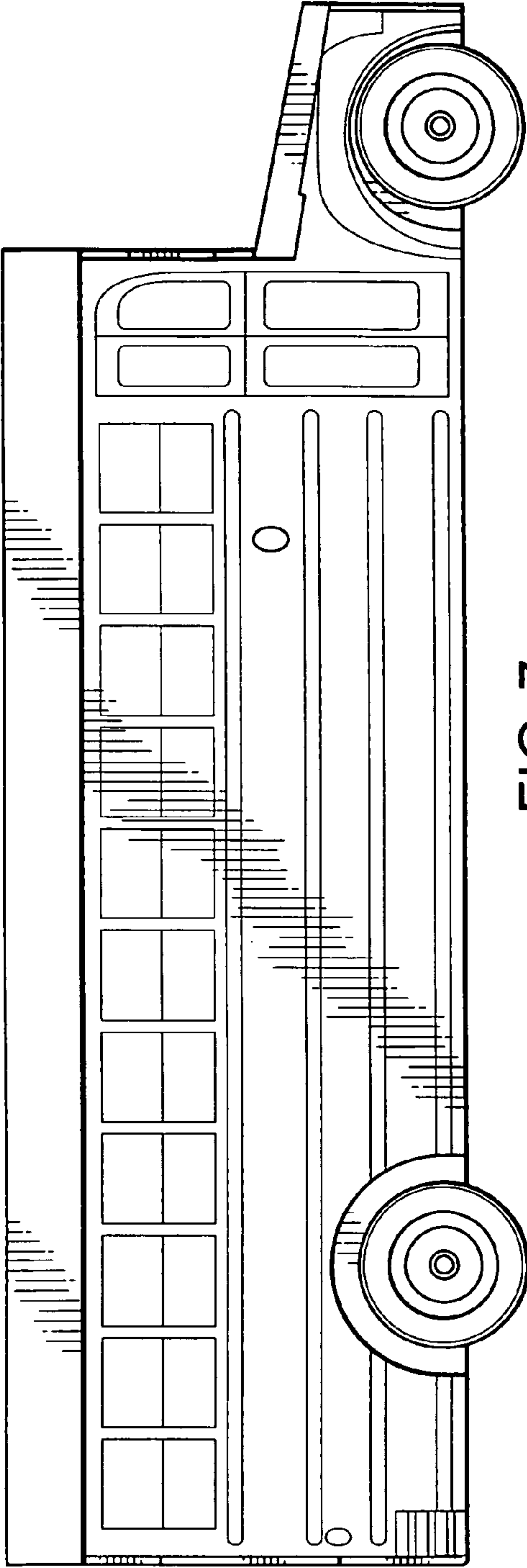


FIG. 7

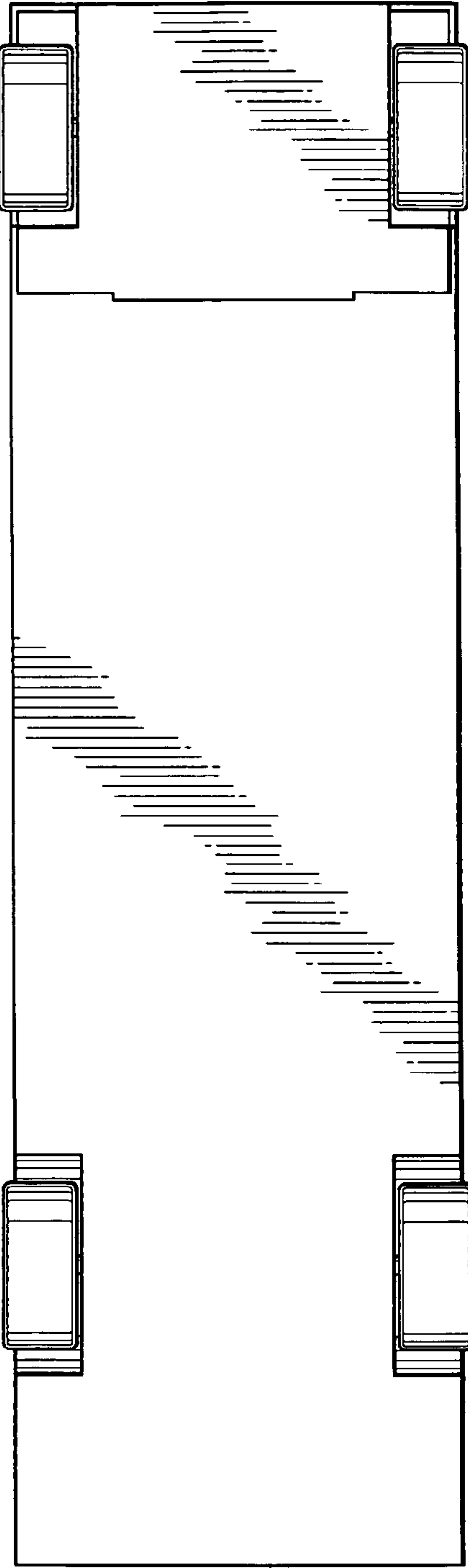


FIG. 6