



US00D600135S

(12) **United States Design Patent**
Valentine et al.

(10) **Patent No.:** **US D600,135 S**
(45) **Date of Patent:** **** Sep. 15, 2009**

(54) **PACKAGING**

(75) Inventors: **Rebecca Morgan Valentine**, Thompsons Station, TN (US); **William A. Singleton, III**, Nashville, TN (US)

(73) Assignee: **MARS, Incorporated**, McLean, VA (US)

(**) Term: **14 Years**

(21) Appl. No.: **29/317,745**

(22) Filed: **May 6, 2008**

(51) **LOC (9) Cl.** **09-01**

(52) **U.S. Cl.** **D9/631; D9/704**

(58) **Field of Classification Search** D9/600,
D9/631, 702-704, 707, 709-710; 206/457-45;
215/400; 220/890; 229/116.1-116.3; D3/239-240,
D3/246, 270, 271.4

See application file for complete search history.

(56) **References Cited**

U.S. PATENT DOCUMENTS

D92,153 S 5/1934 Schele

(Continued)

Primary Examiner—Sandra Morris

(74) *Attorney, Agent, or Firm*—Arent Fox LLP

(57) **CLAIM**

The ornamental design for a packaging, as shown and described.

DESCRIPTION

FIG. 1 is a perspective view of a packaging showing our new design, according to a first embodiment;

FIG. 2 is a front view of the design shown in FIG. 1;

FIG. 3 is a rear view of the design shown in FIG. 1;

FIG. 4 is a top view of the design shown in FIG. 1;

FIG. 5 is a bottom view of the design shown in FIG. 1;

FIG. 6 is a left side view of the design shown in FIG. 1, the right side view being a mirror image thereof;

FIG. 7 is a front view of the design shown in FIG. 1 in a collapsed position;

FIG. 8 is a rear view of the design shown in FIG. 7,

FIG. 9 is a perspective view of a packaging showing our new design, according to a second embodiment;

FIG. 10 is a front view of the design shown in FIG. 9, wherein the rear view is identical to that shown in FIG. 3;

FIG. 11 is a top view of the design shown in FIG. 9, wherein the bottom view is identical to that shown in FIG. 5;

FIG. 12 is a left side view of the design shown in FIG. 9, wherein the right side view is a mirror image thereof;

FIG. 13 is a front view of the design shown in FIG. 9 in a collapsed position, wherein the rear view is identical to that shown in FIG. 8;

FIG. 14 is a perspective view of a packaging showing our new design, according to a third embodiment;

FIG. 15 is a front view of the design shown in FIG. 14, wherein the rear view is a mirror image thereof;

FIG. 16 is a top view of the design shown in FIG. 14;

FIG. 17 is a bottom view of the design shown in FIG. 14;

FIG. 18 is a left side view of the design shown in FIG. 14, wherein the right side view is a mirror image thereof;

FIG. 19 is a front view of the design shown in FIG. 14 in a collapsed position, wherein the rear view is a mirror image thereof;

FIG. 20 is perspective view of a packaging showing our new design, according to a fourth embodiment;

FIG. 21 is a front view of the design shown in FIG. 20, wherein the rear view is a mirror image thereof;

FIG. 22 is a top view of the design shown in FIG. 20;

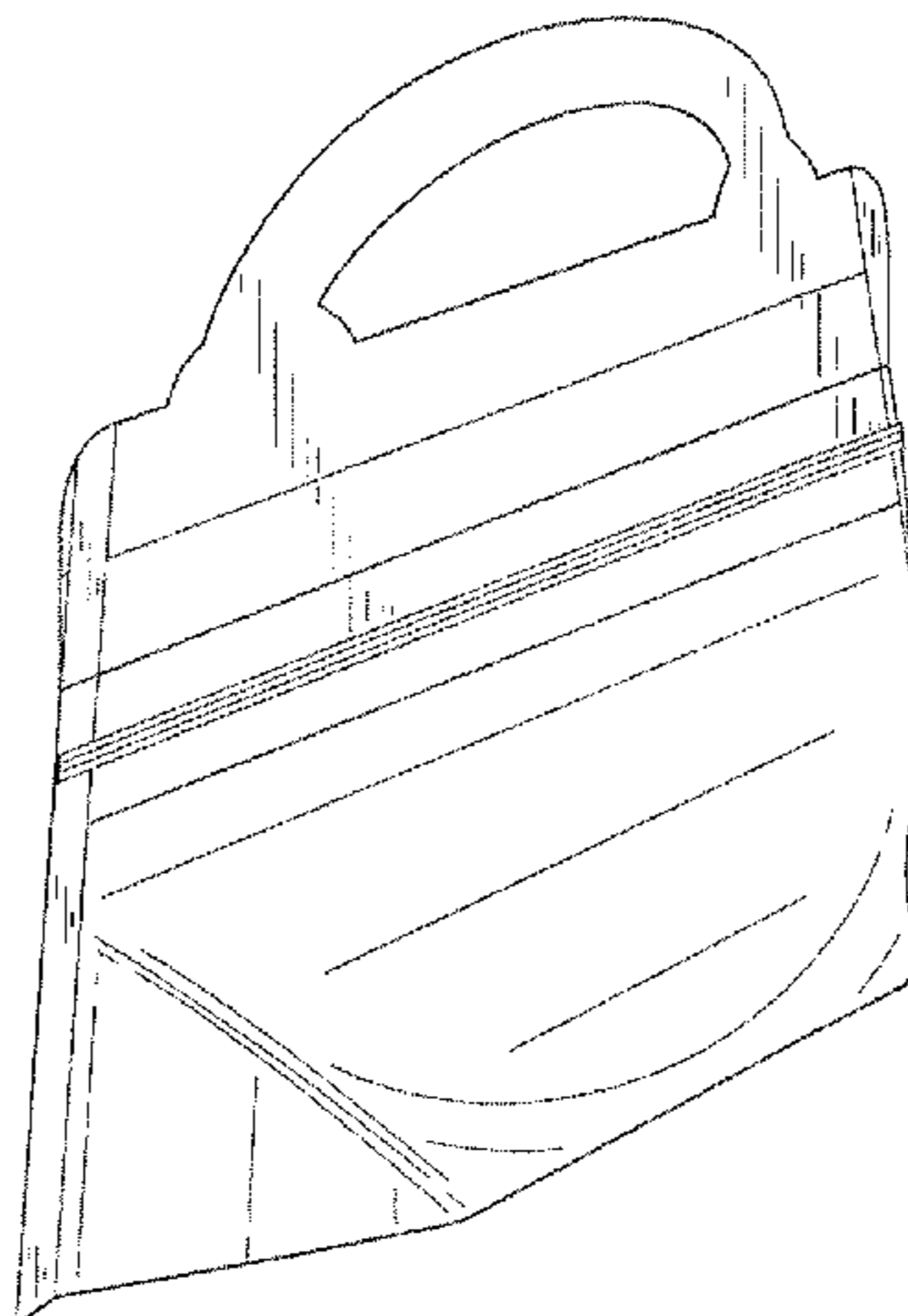
FIG. 23 is a bottom view of the design shown in FIG. 20;

FIG. 24 is a left side view of the design shown in FIG. 20, wherein the right side view is a mirror image thereof; and,

FIG. 25 is a front view of the design shown in FIG. 20 in a collapsed position, wherein the rear view is a mirror image thereof.

The elements shown in broken lines are for illustrative purposes only and form no part of the claimed design.

1 Claim, 22 Drawing Sheets



US D600,135 S

Page 2

U.S. PATENT DOCUMENTS

D185,343 S	6/1959	Bienen		D350,689 S	9/1994	Chao	
D220,461 S	4/1971	Soyka		D413,796 S	9/1999	Mansau	
3,589,594 A *	6/1971	Fischlein et al. 229/914	D446,642 S	8/2001	Dix	
3,800,361 A	4/1974	Staugger		D517,420 S	3/2006	Scheider	
D241,321 S	9/1976	Paige		D537,357 S	2/2007	Holt	
D249,394 S *	9/1978	Schwartz D3/246	D551,565 S	9/2007	Wouters et al.	
D270,496 S *	9/1983	Hyers D3/246	D569,266 S	5/2008	Wouters	
D278,974 S	5/1985	Ray		D576,888 S *	9/2008	Helfman D9/631
D312,393 S	11/1990	Bookoff et al.					

* cited by examiner

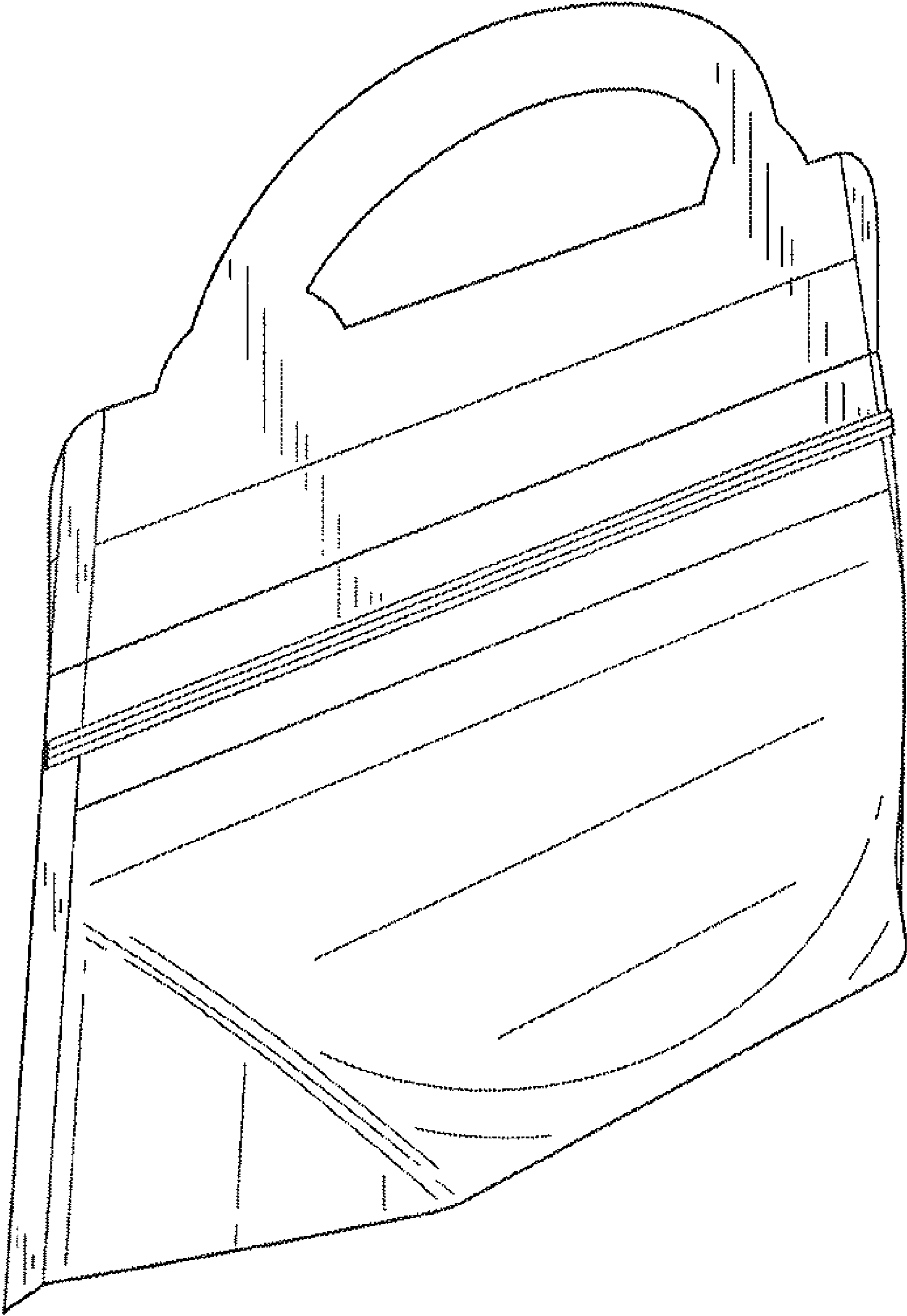


FIG. 1

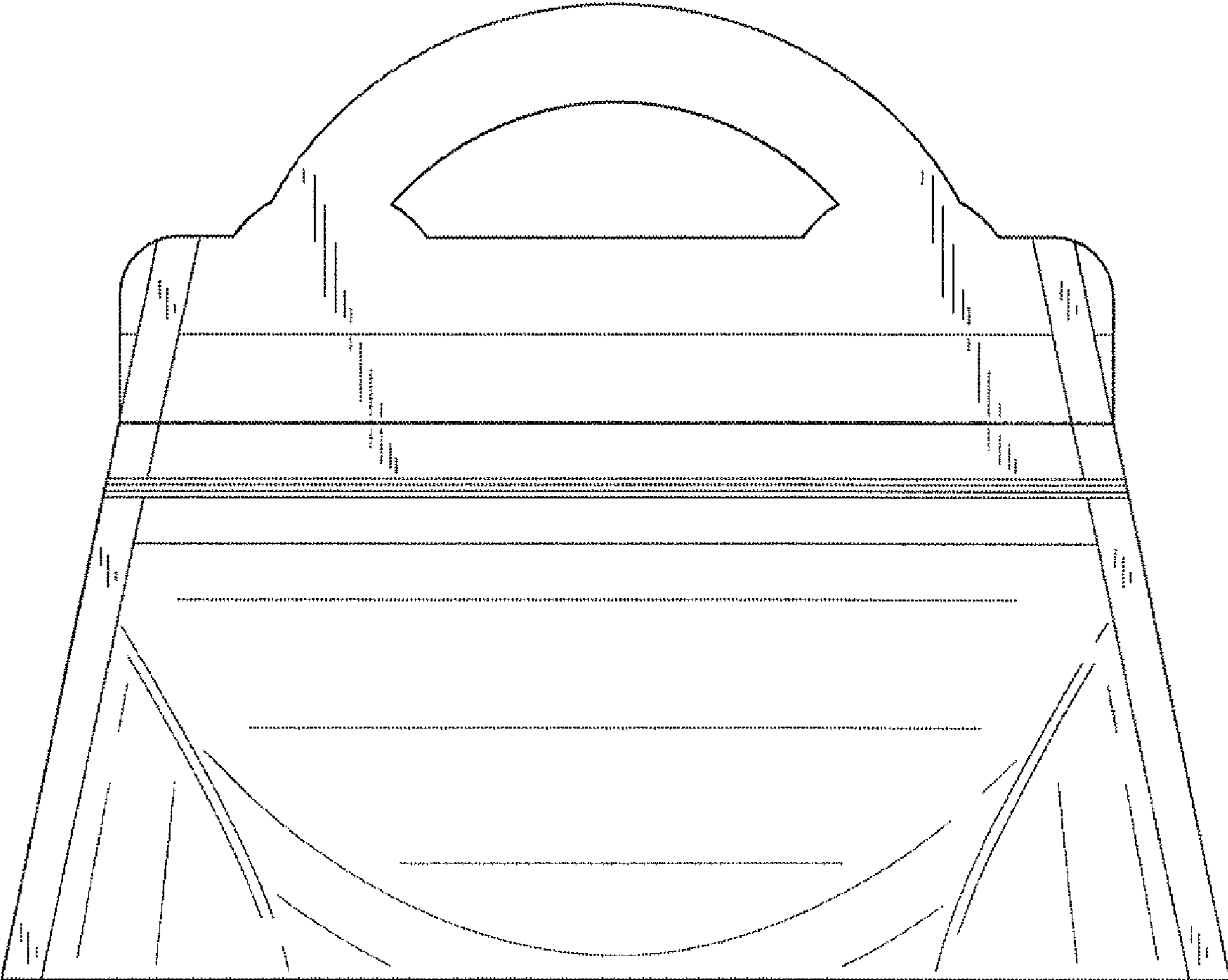


FIG. 2

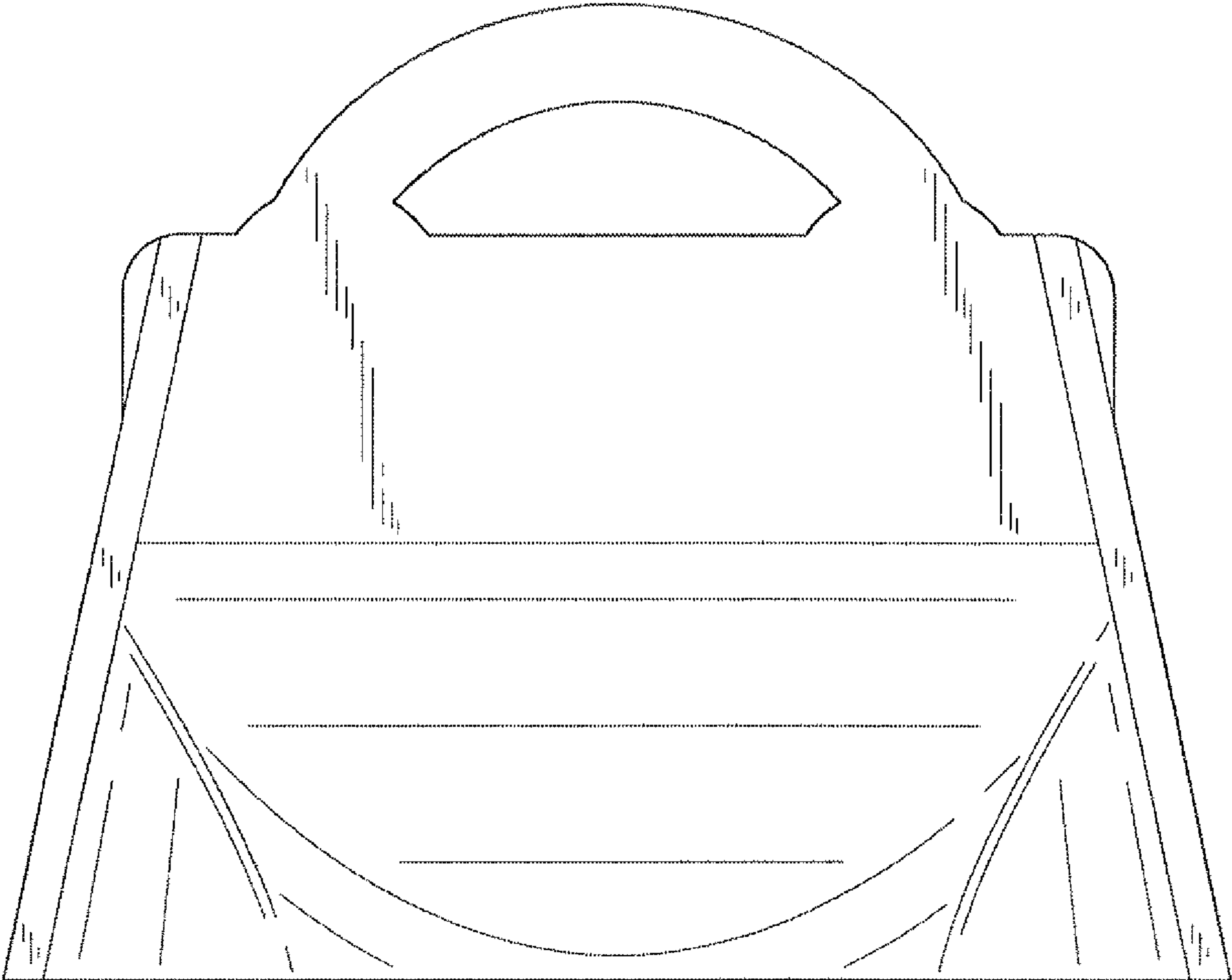


FIG.3

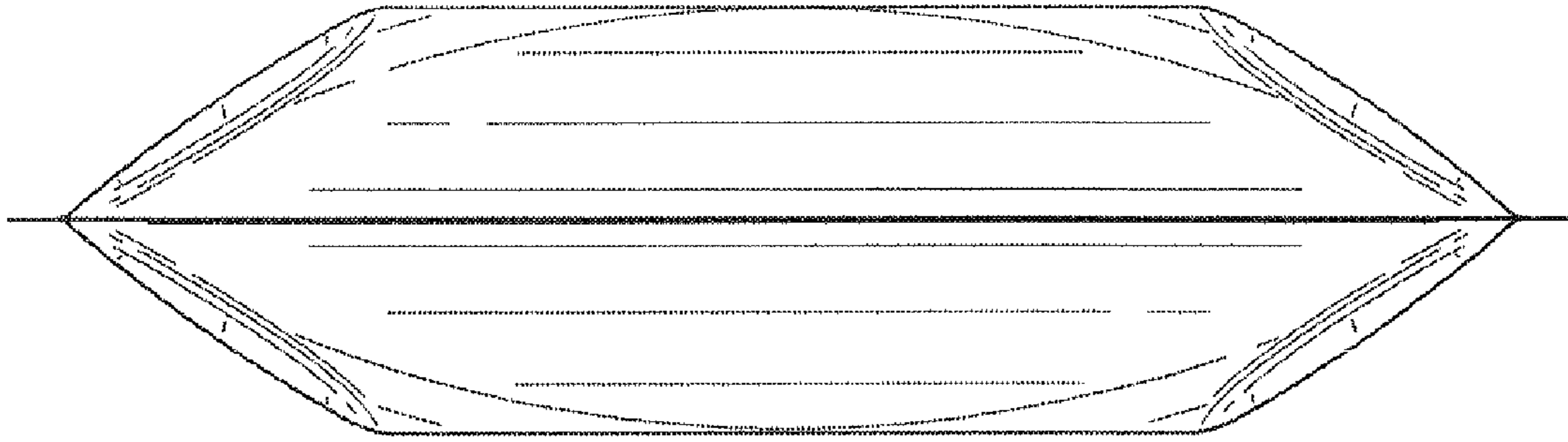


FIG. 4

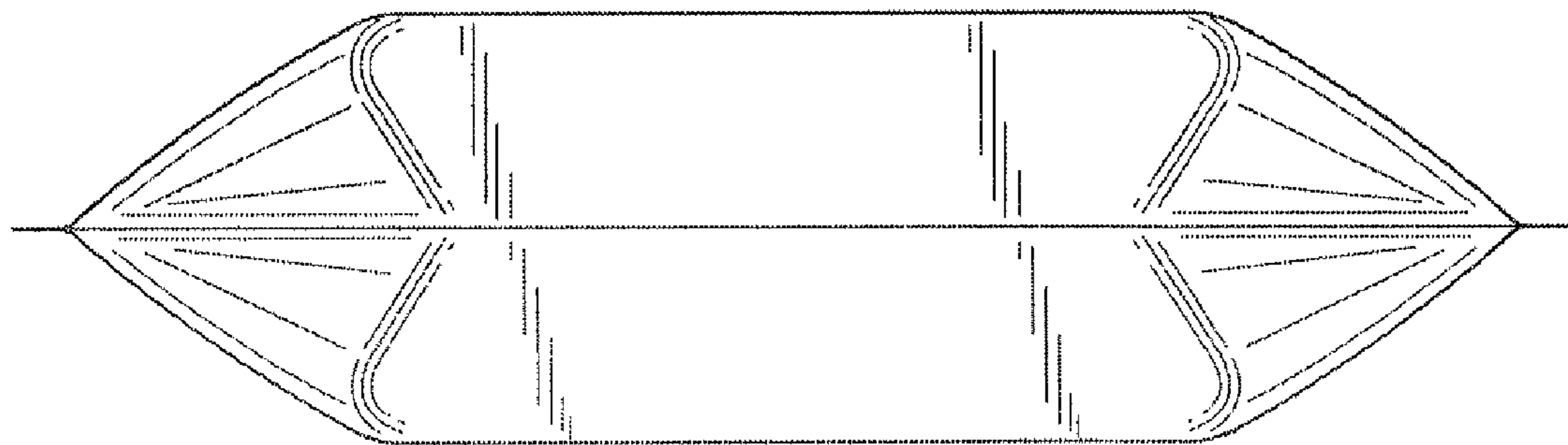


FIG. 5

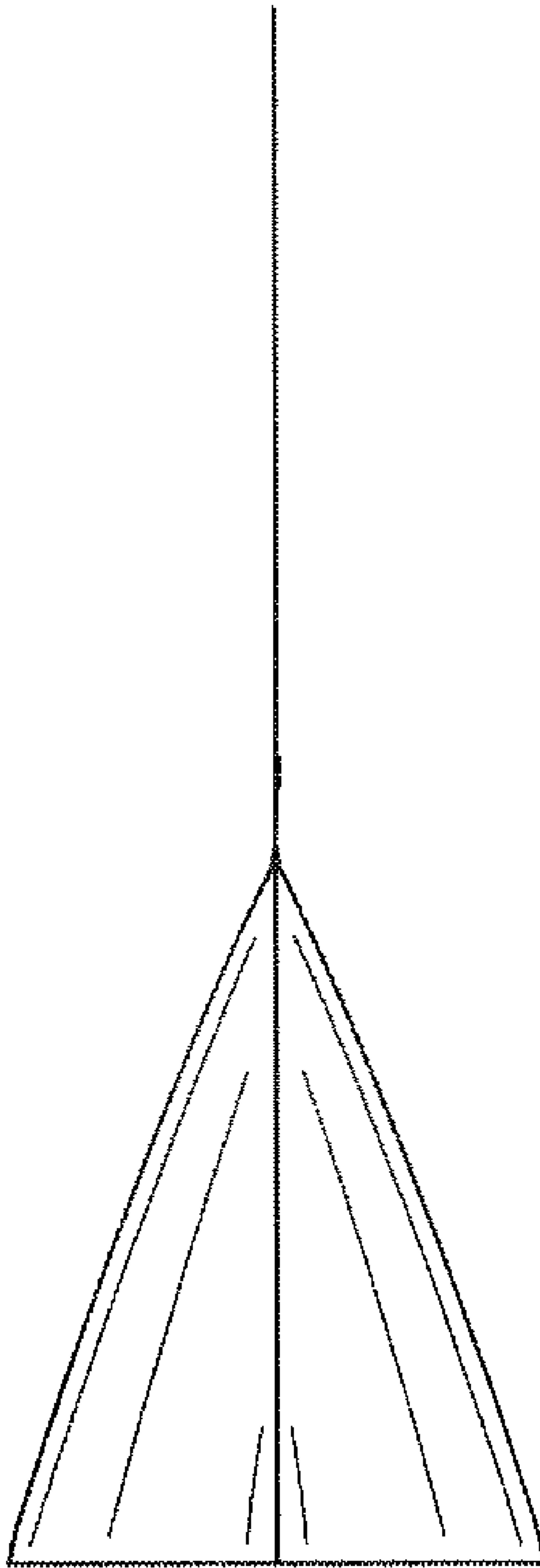


FIG. 6

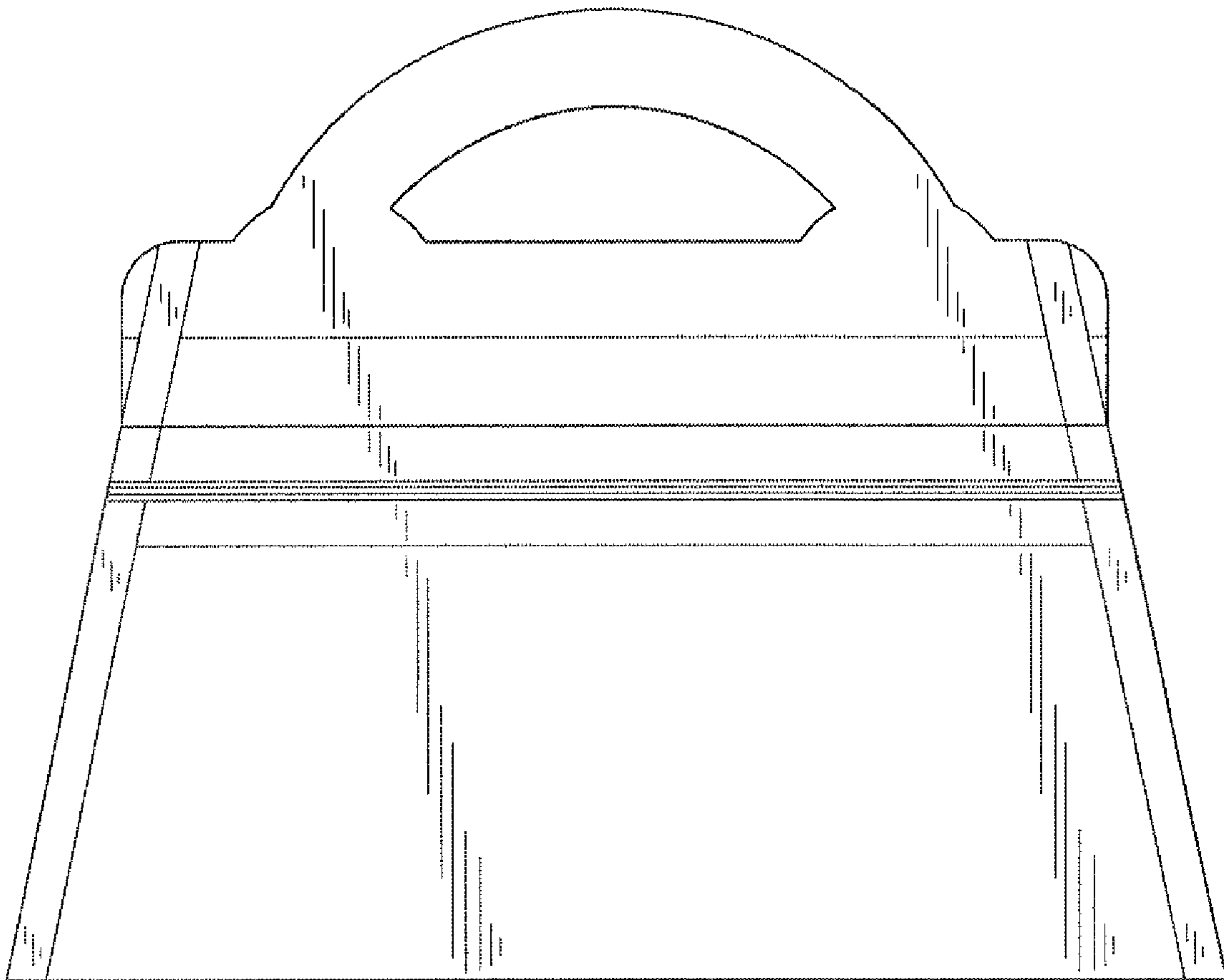


FIG. 7

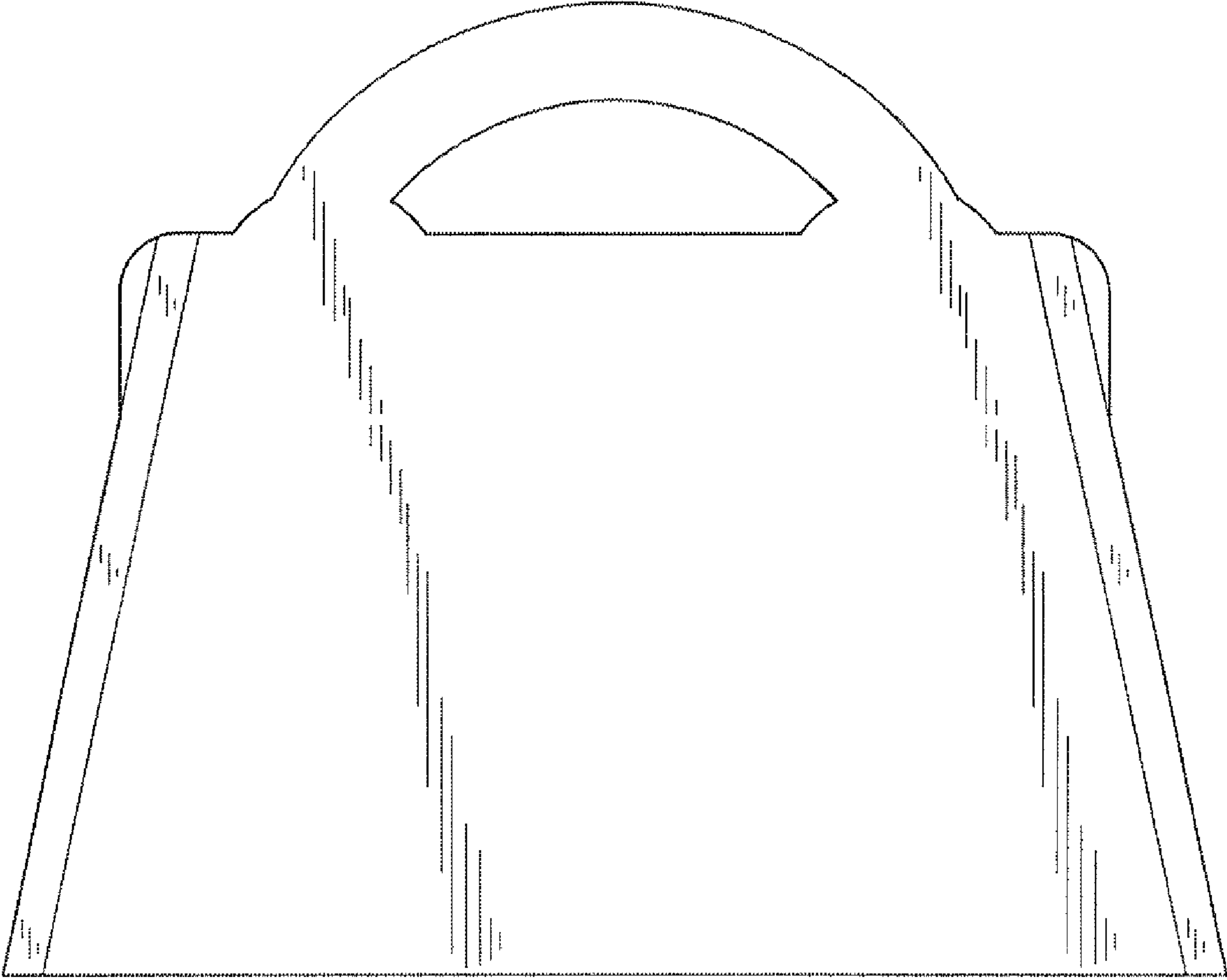


FIG.8

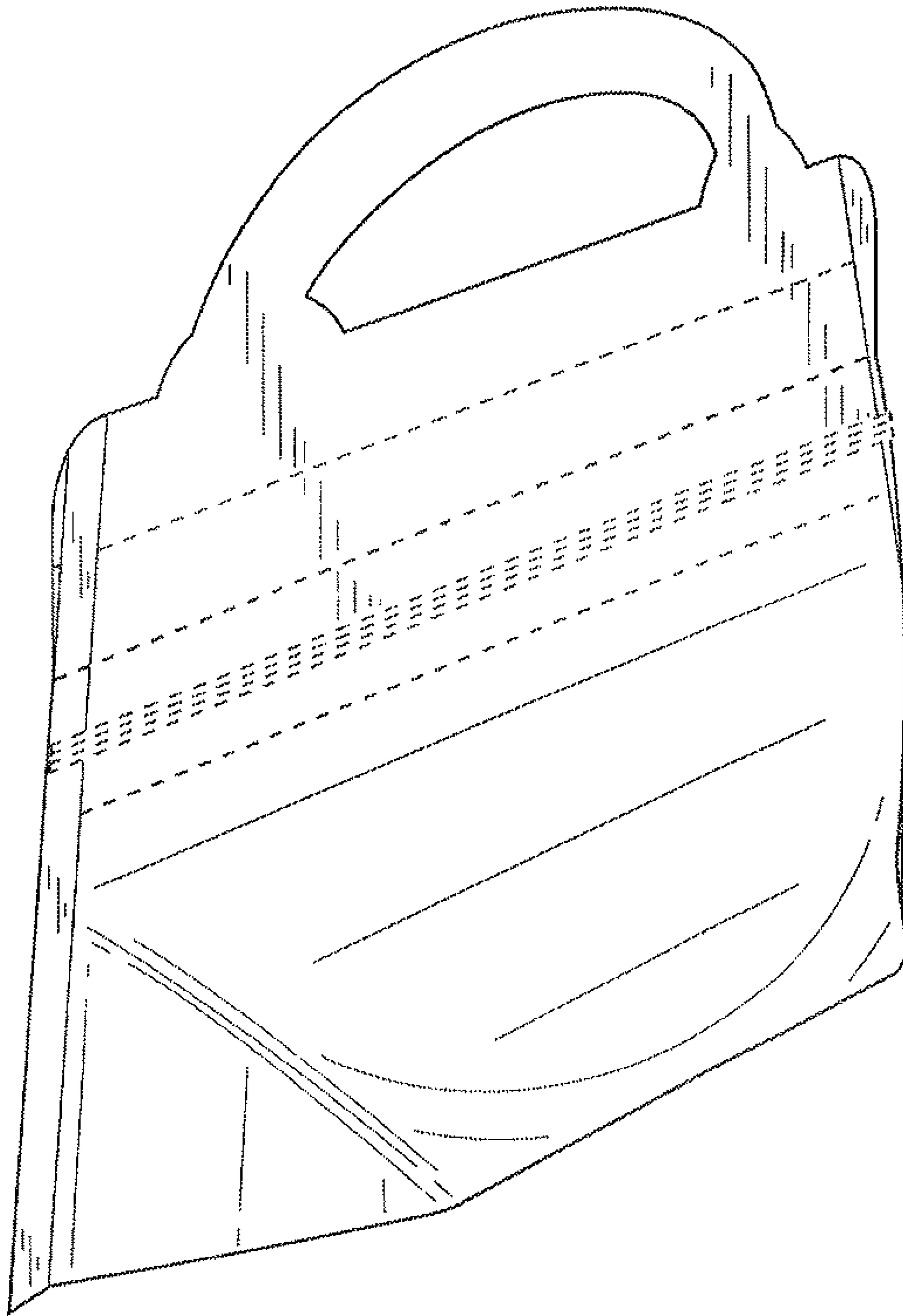


FIG. 9

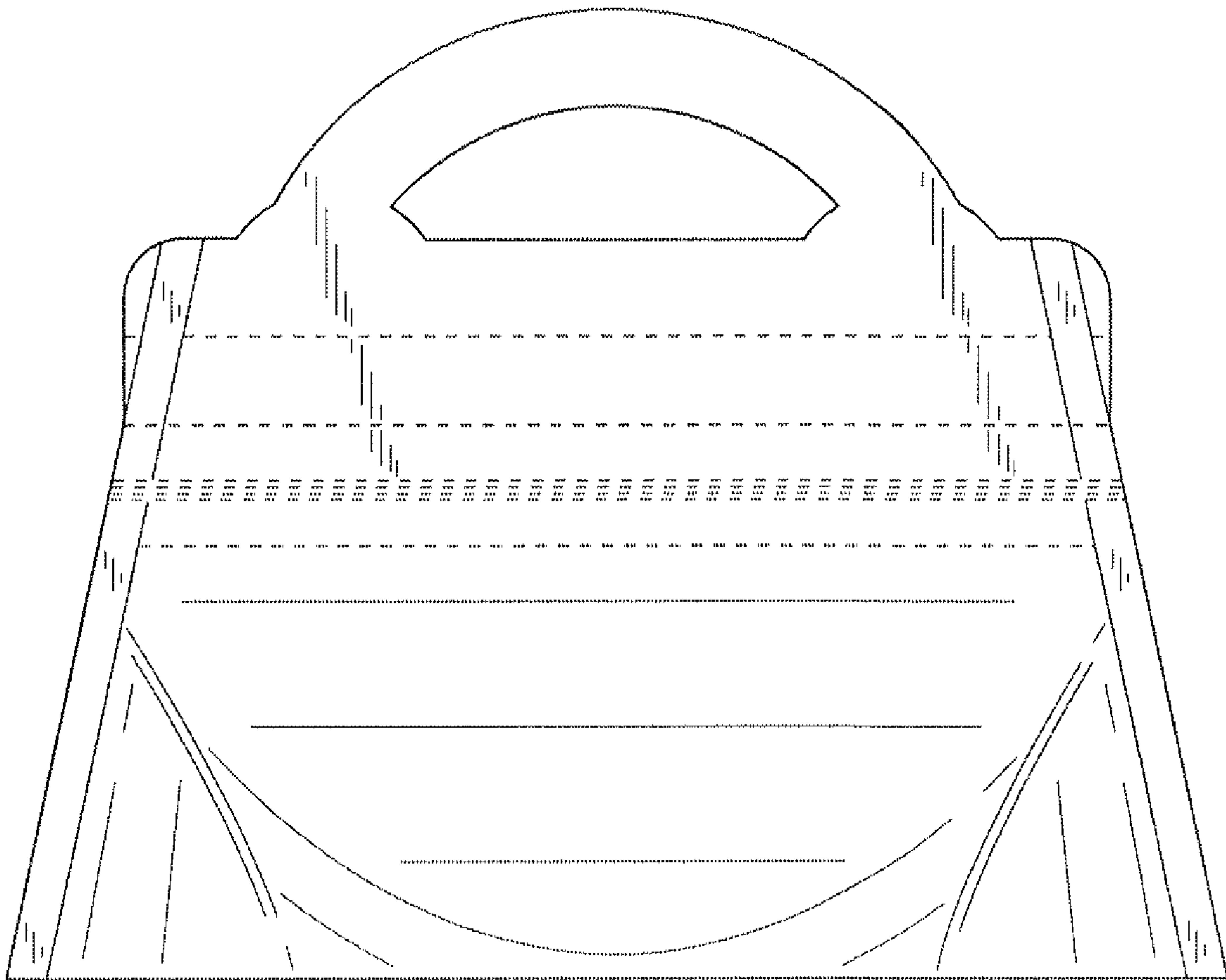


FIG.10

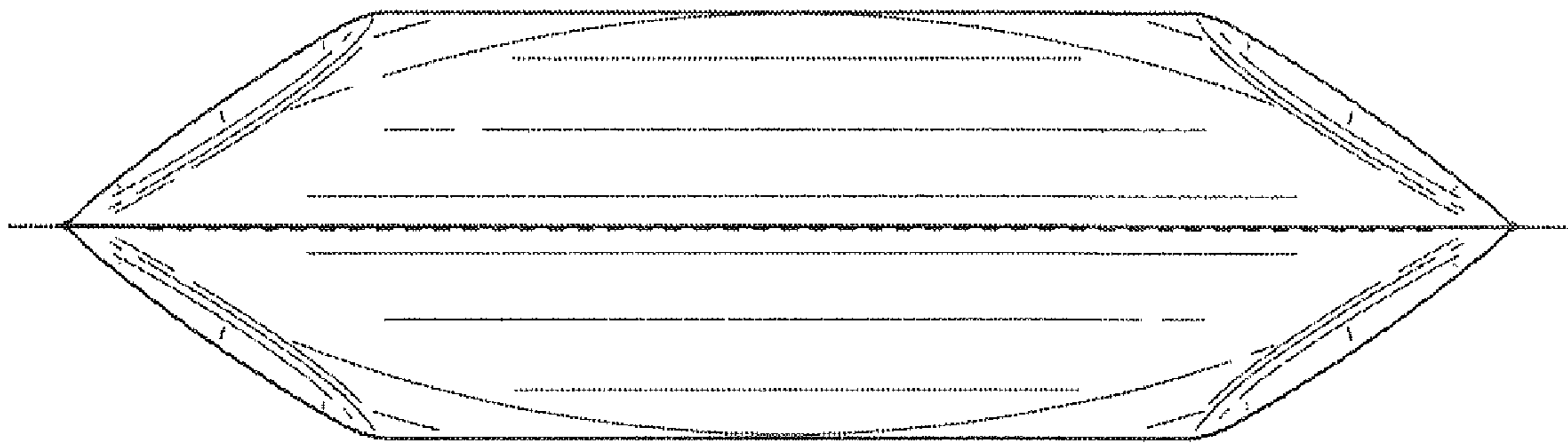


FIG. 11

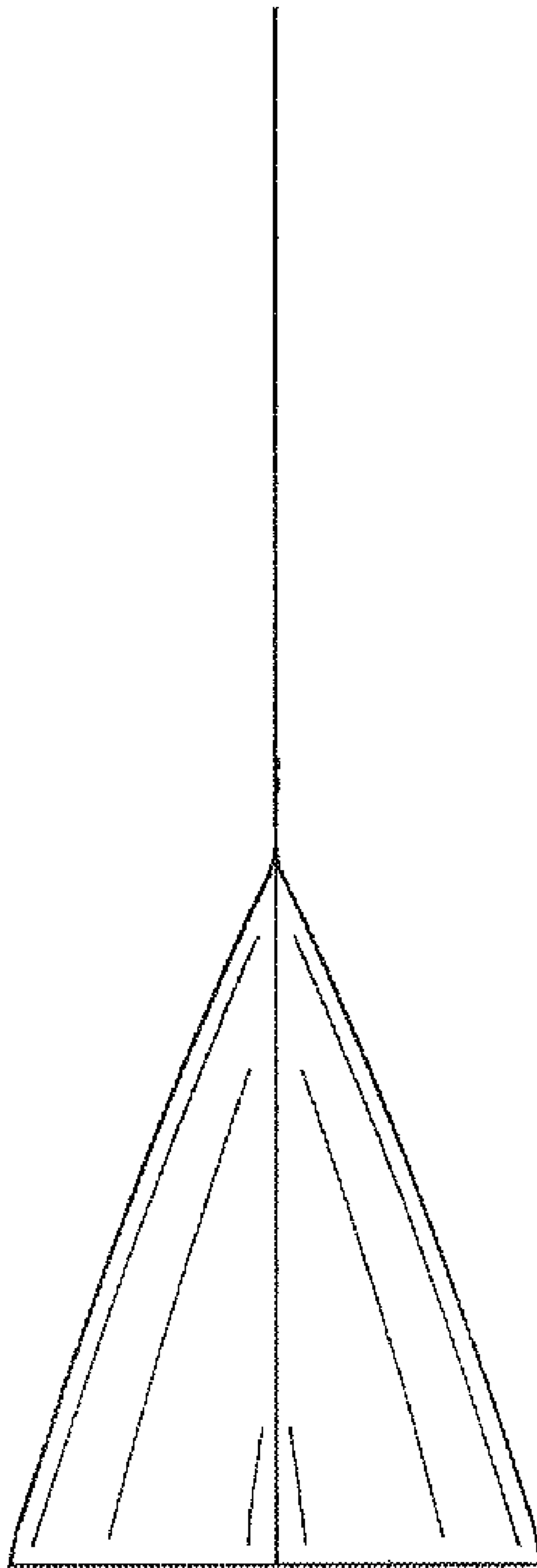


FIG. 12

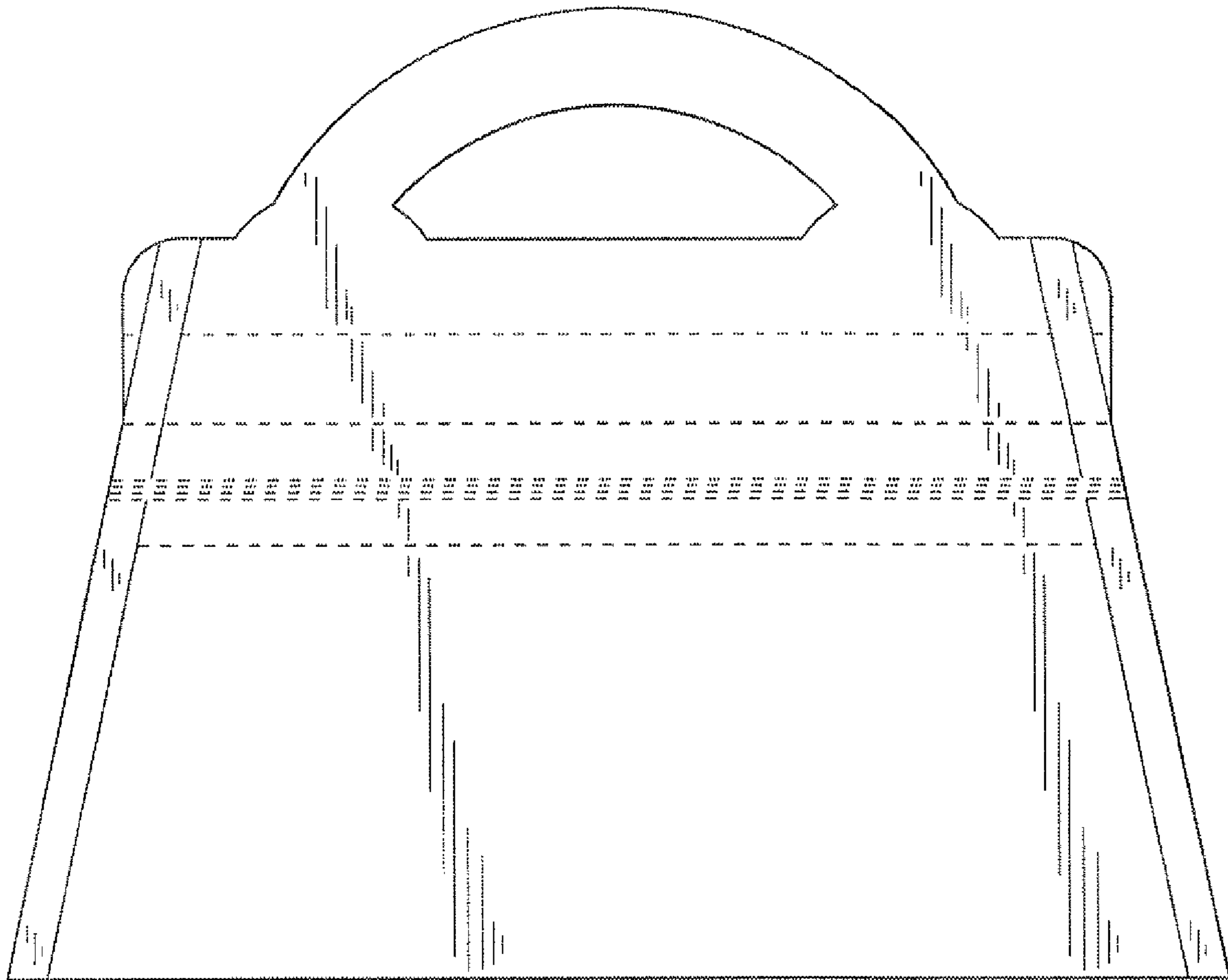


FIG.13

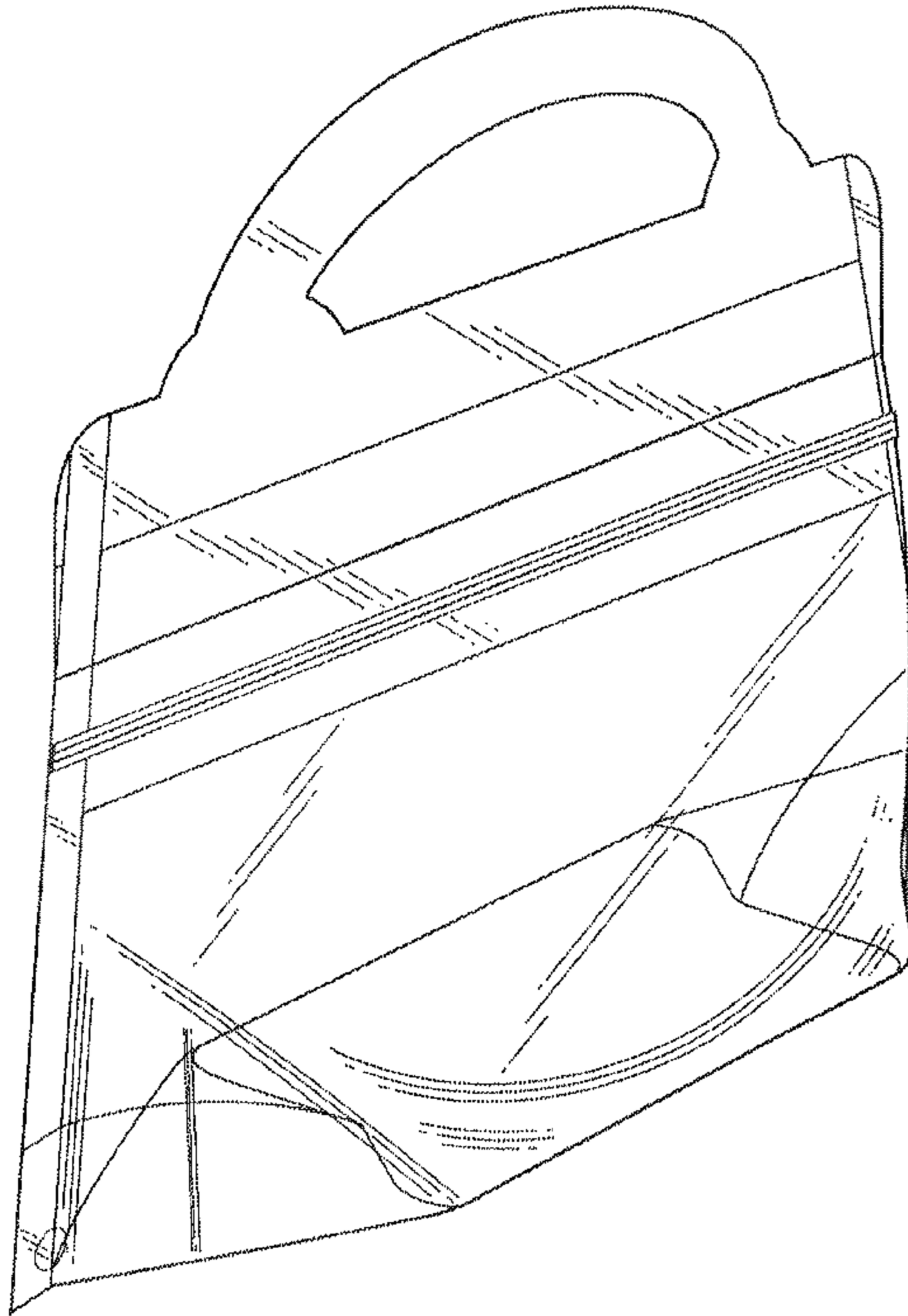


FIG. 14

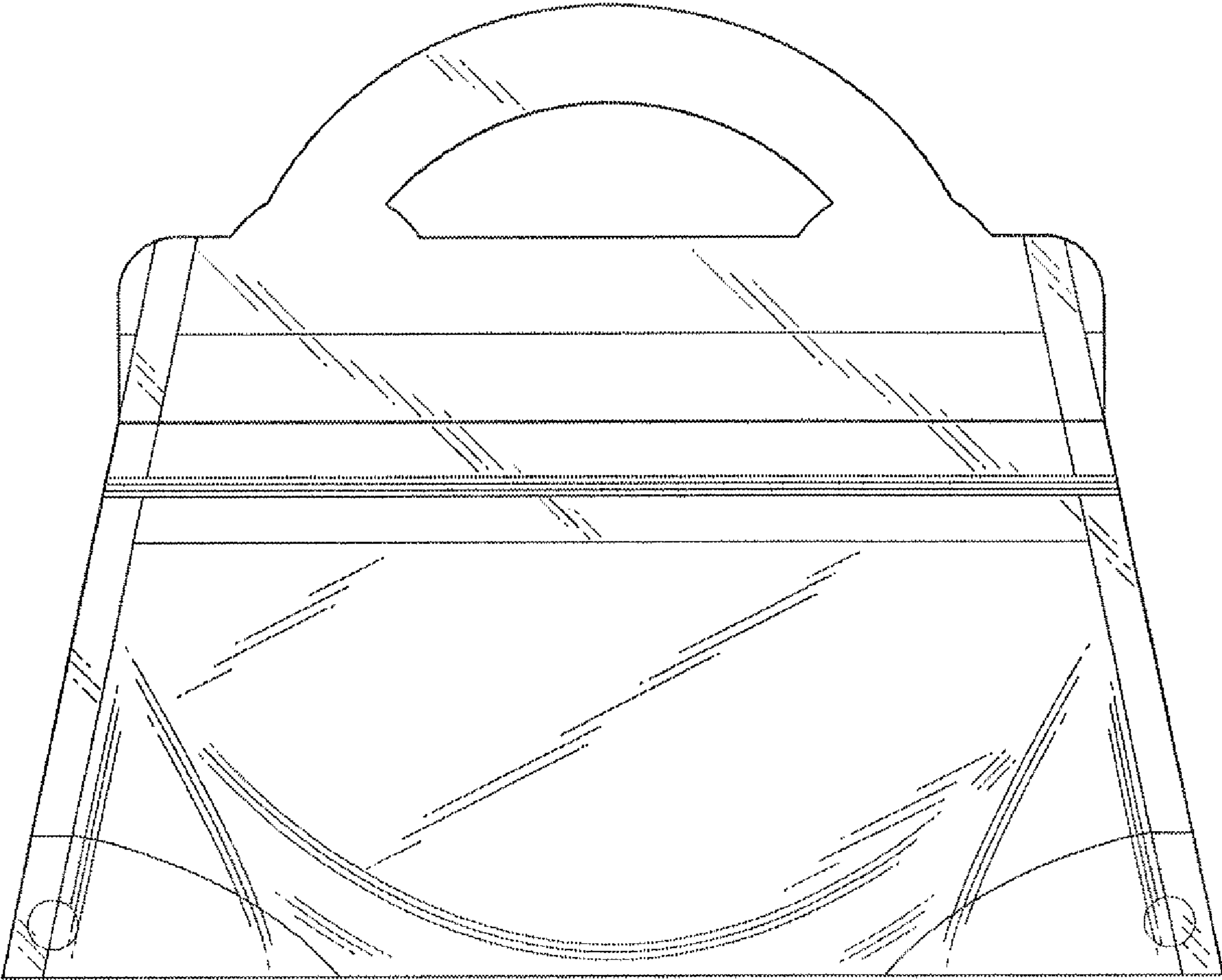


FIG. 15

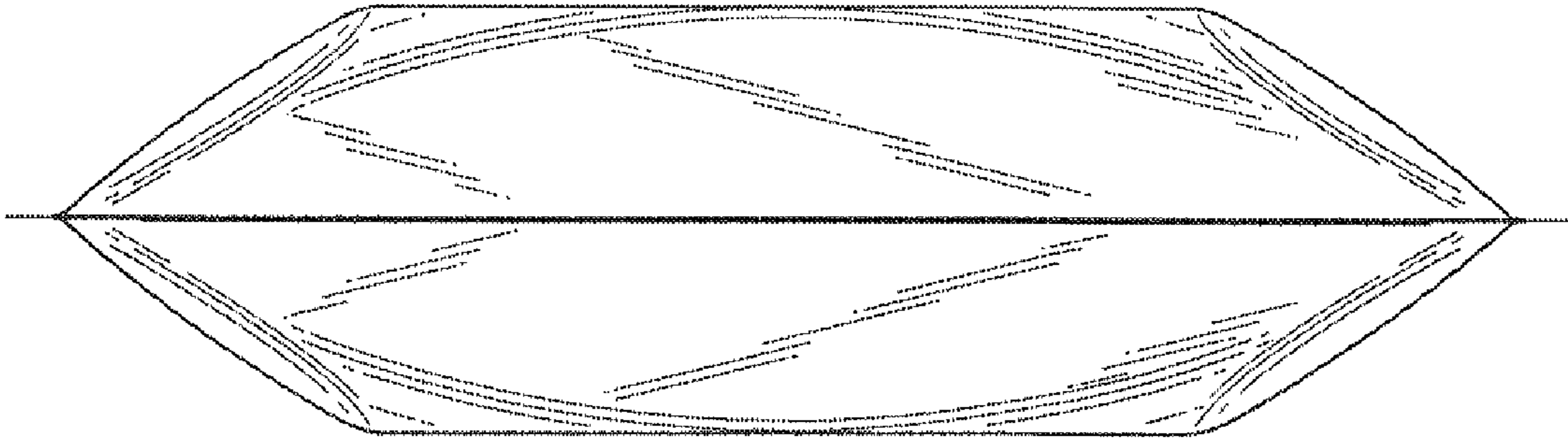


FIG. 16

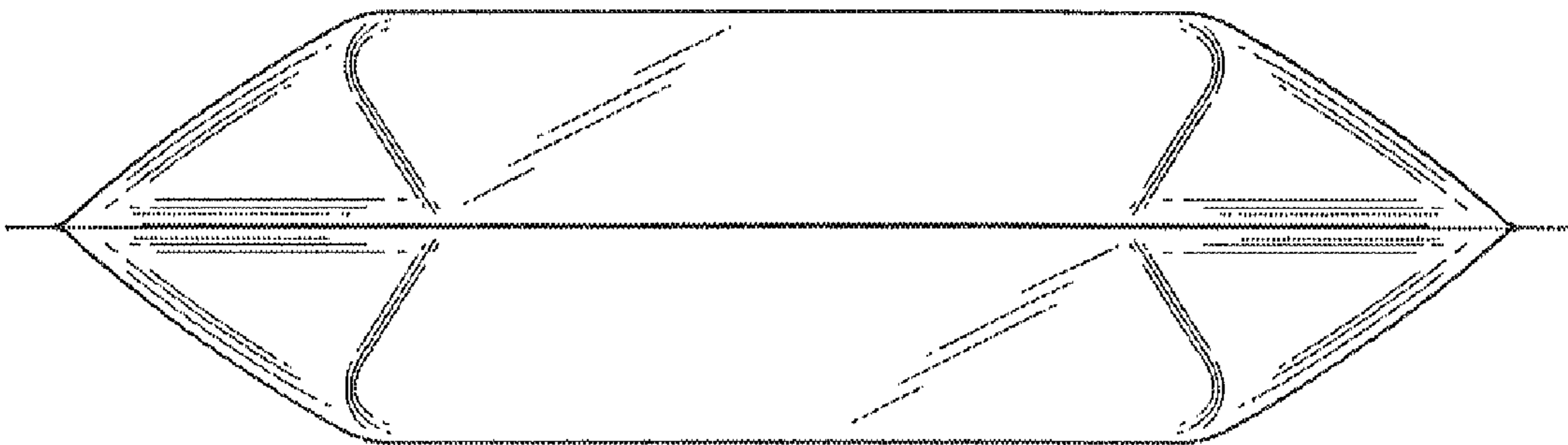


FIG. 17

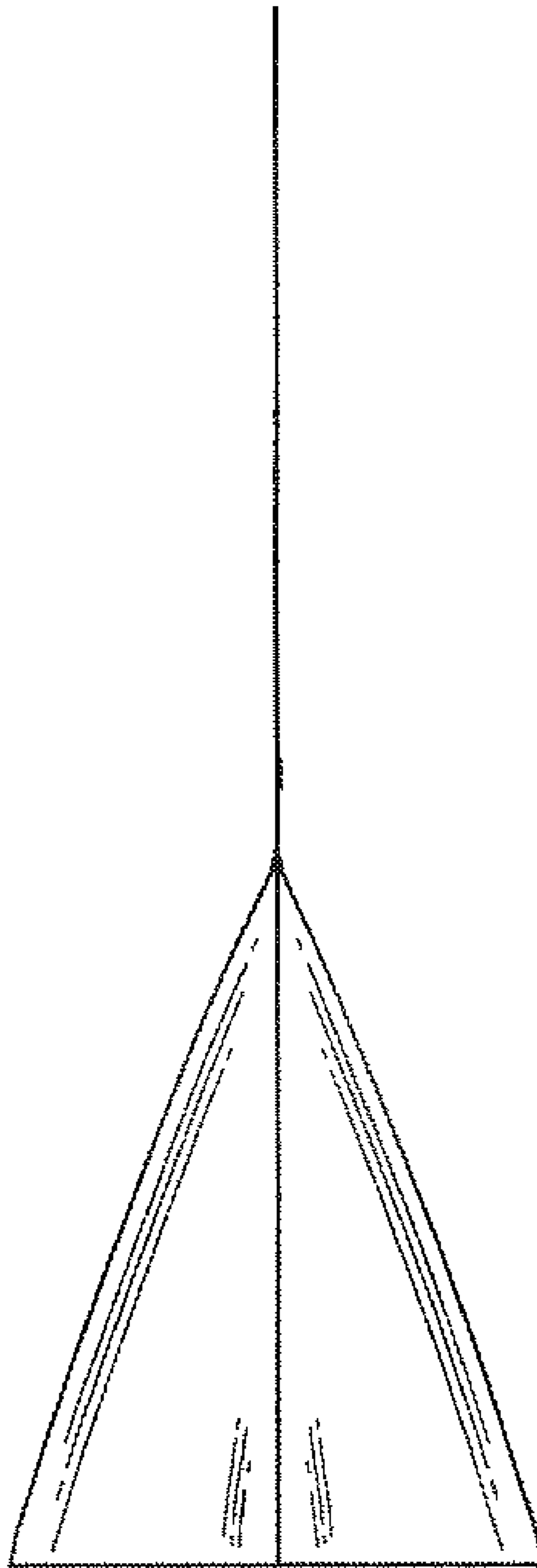


FIG. 18

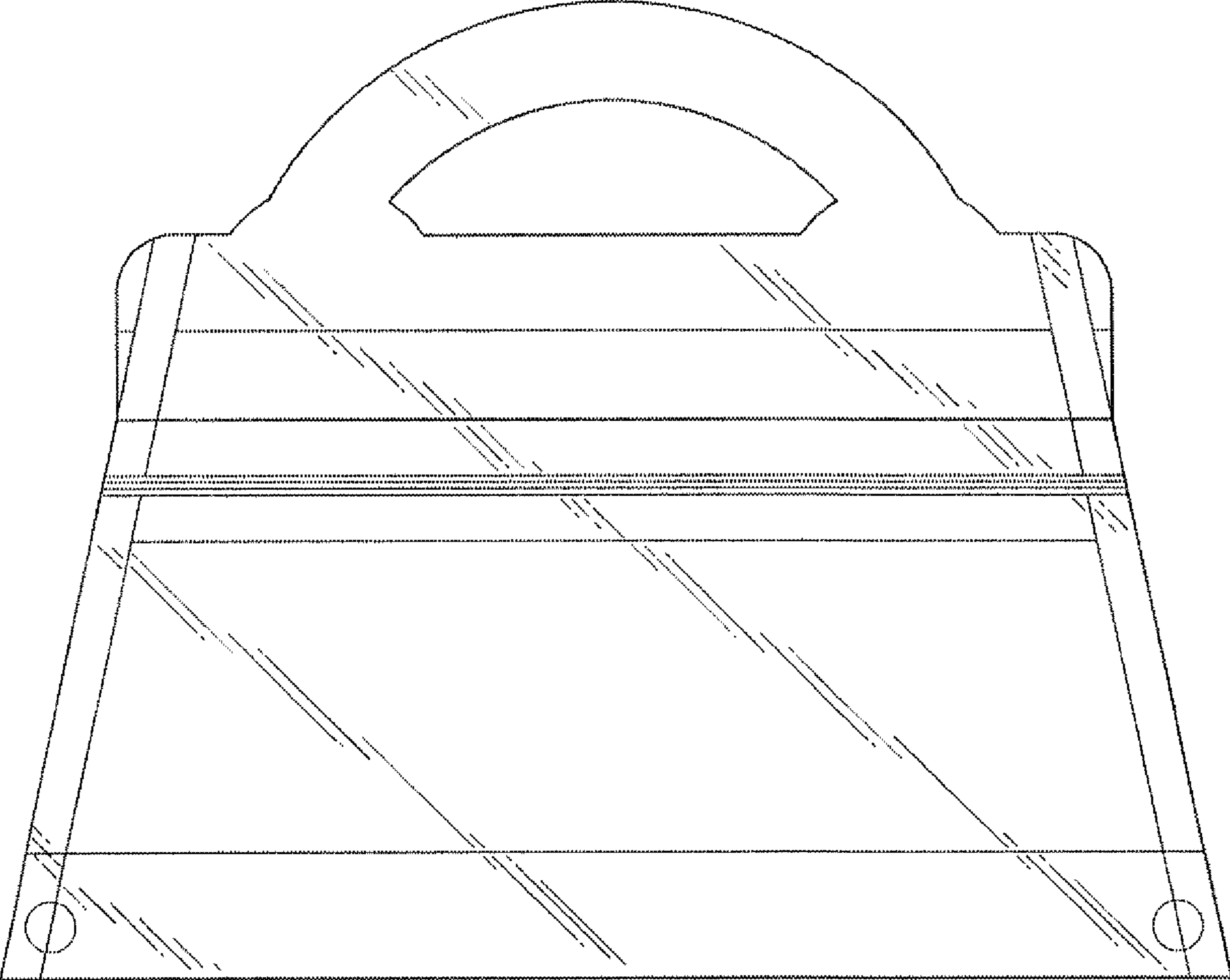


FIG.19

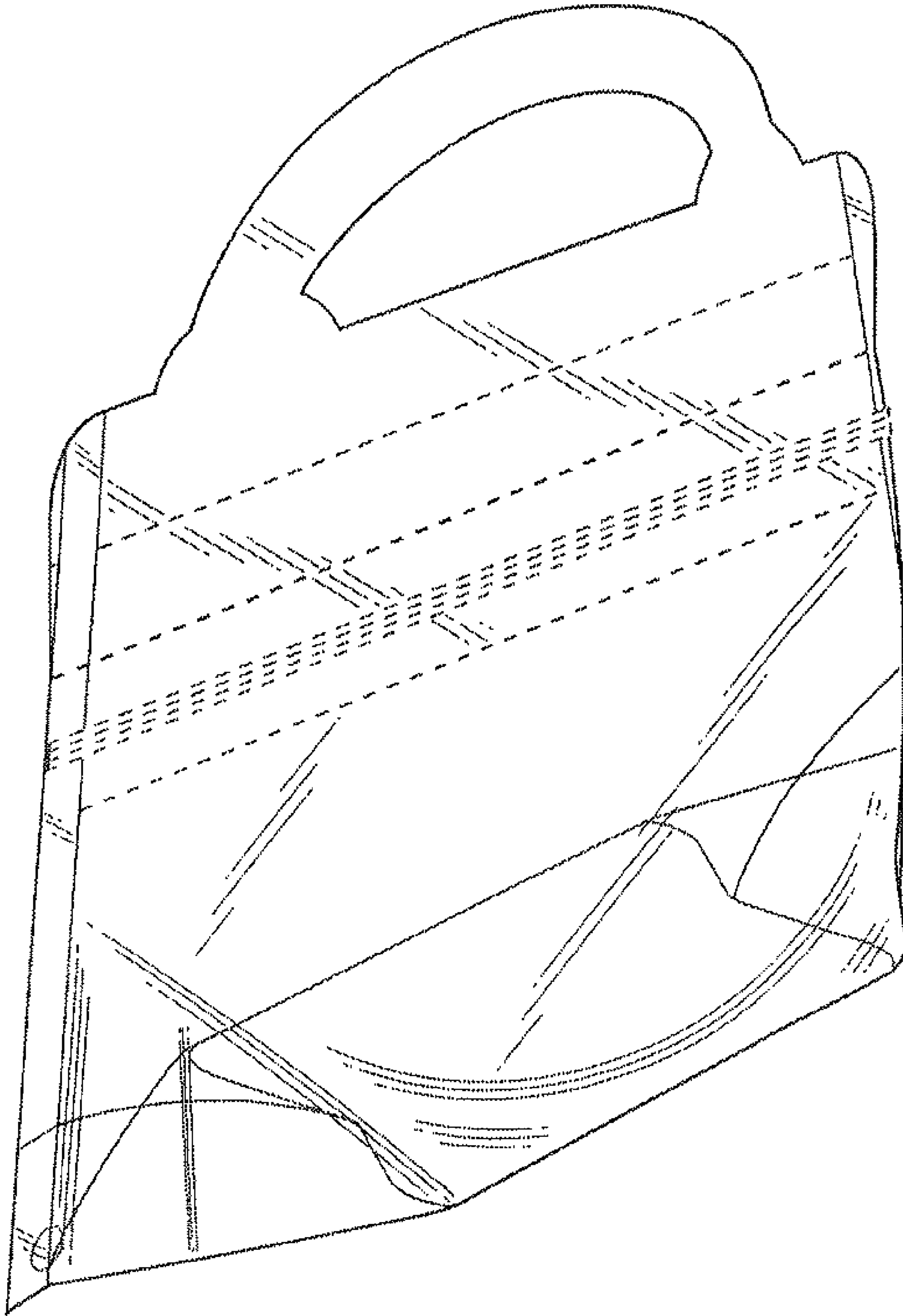


FIG. 20

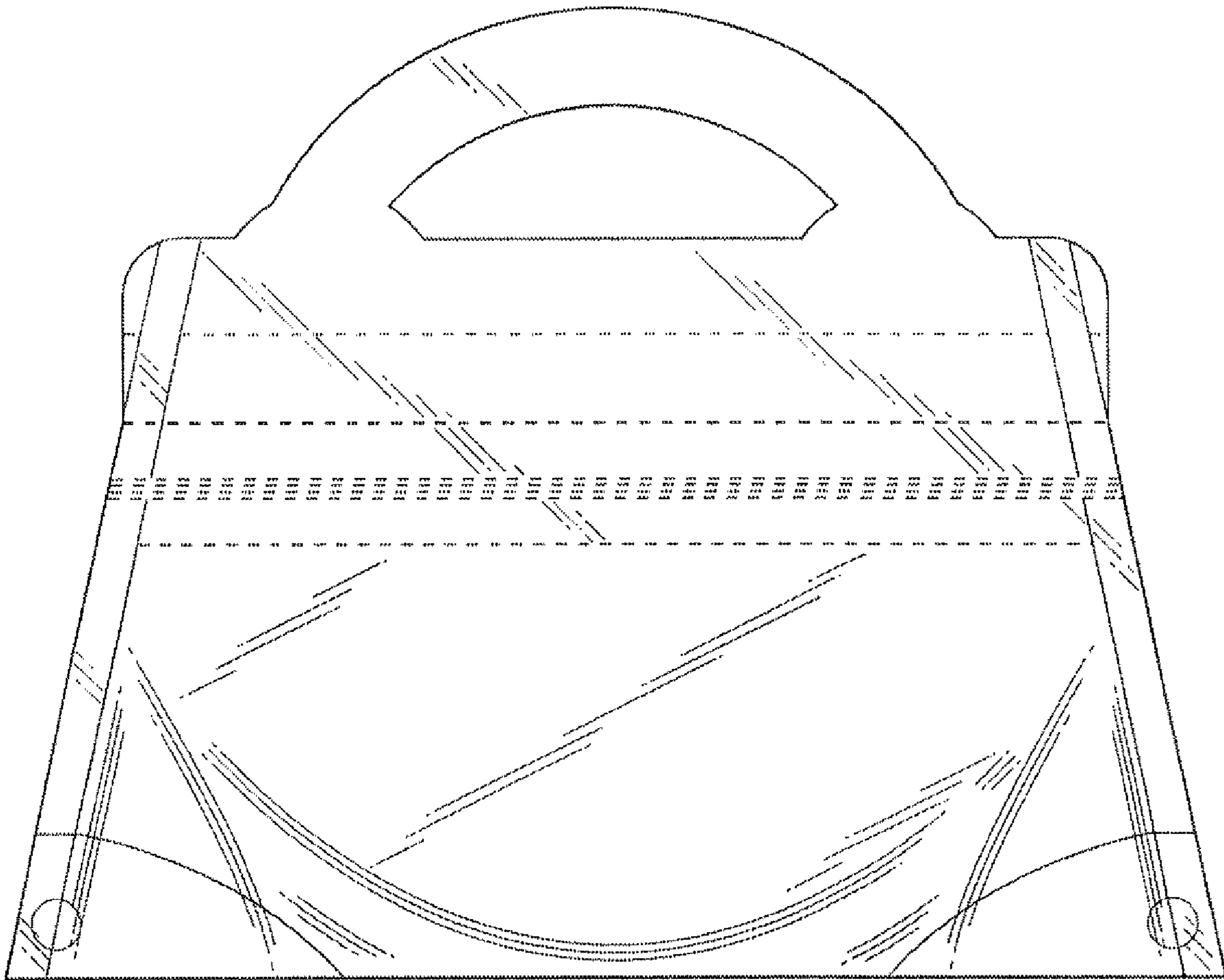


FIG.21

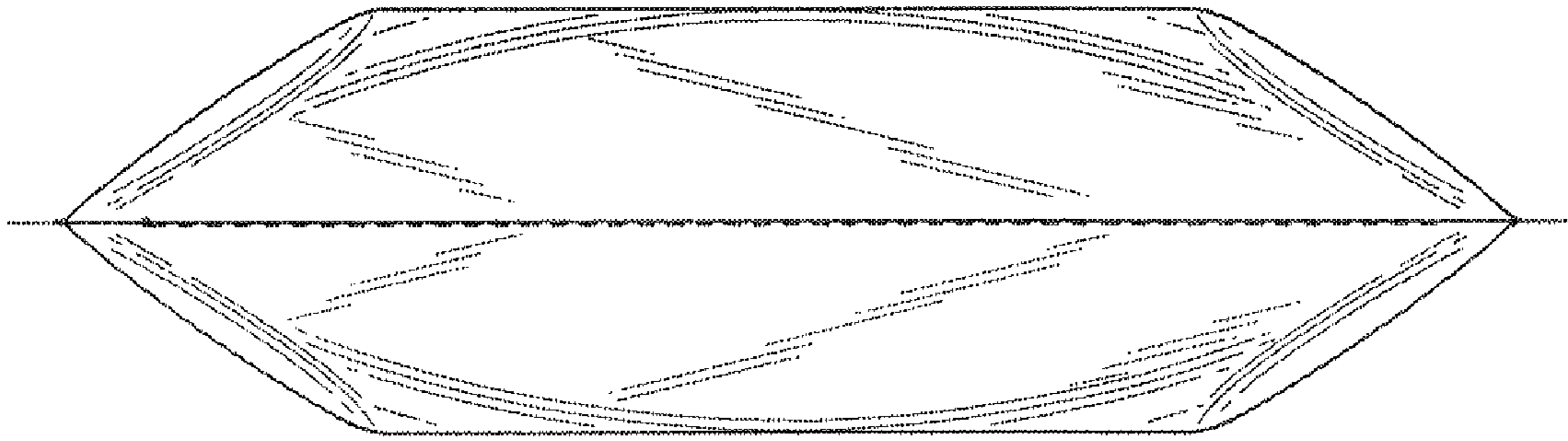


FIG. 22

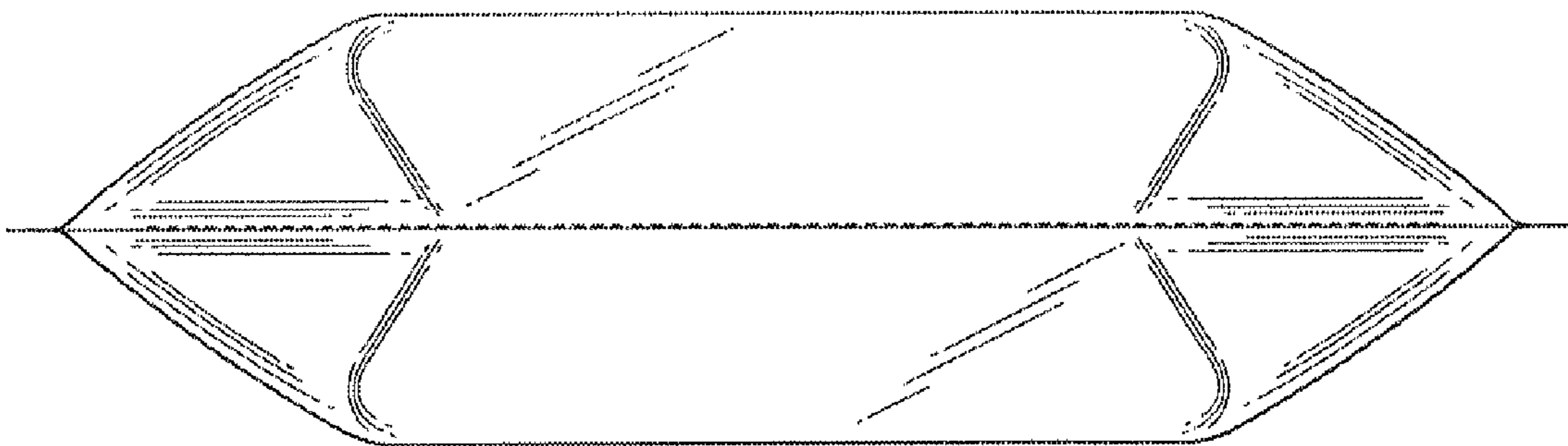


FIG. 23

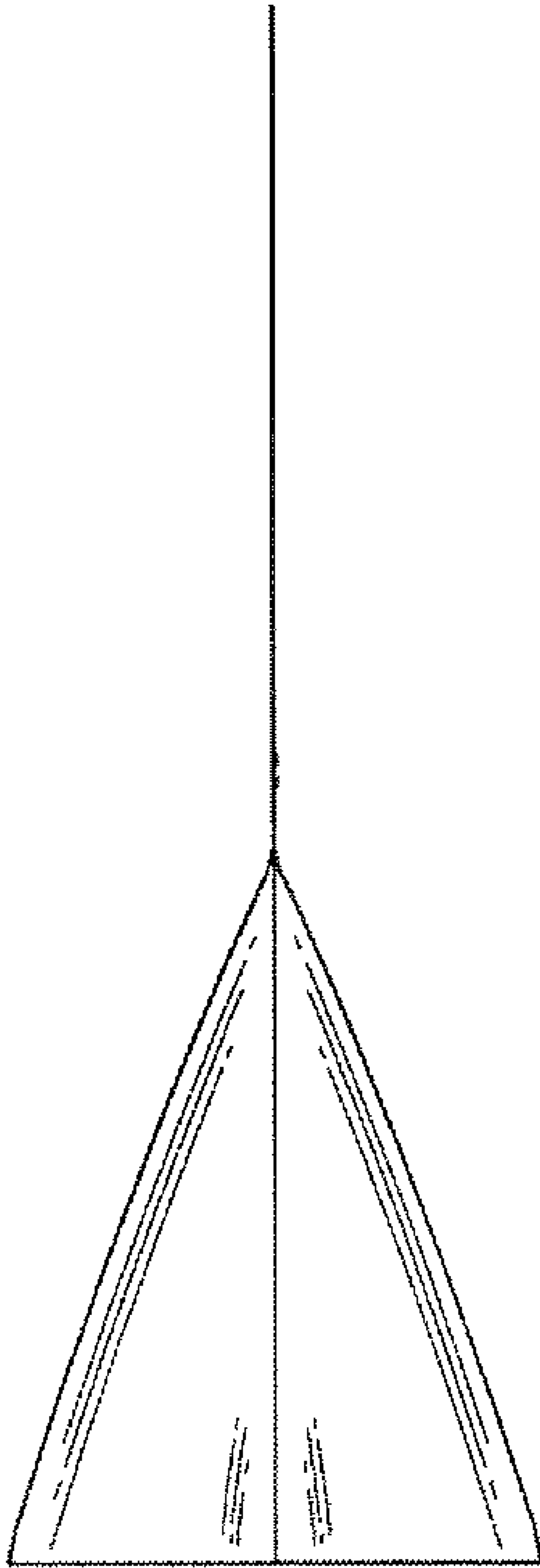


FIG. 24

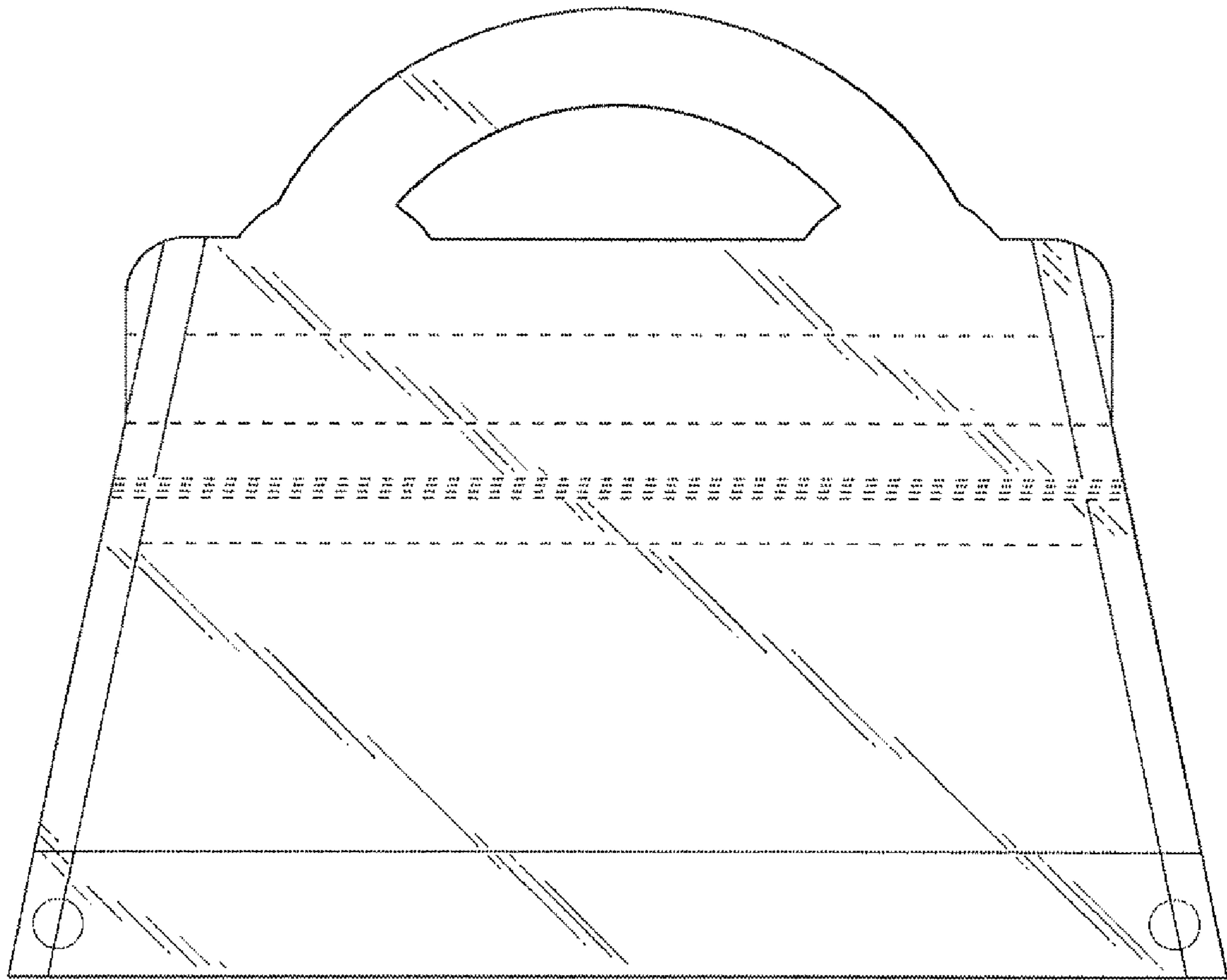


FIG.25