



US00D600132S

(12) **United States Design Patent**
Delfino, Jr. et al.

(10) **Patent No.:** **US D600,132 S**

(45) **Date of Patent:** **** Sep. 15, 2009**

(54) **DISPENSER FOR DISPENSING FRAGRANCES**

(75) Inventors: **Francis A. Delfino, Jr.**, Southington, CT (US); **Mark T. Steiner**, Greenwich, CT (US)

(73) Assignee: **Waterbury Companies, Inc.**, Waterbury, CT (US)

(**) Term: **14 Years**

(21) Appl. No.: **29/288,035**

(22) Filed: **May 25, 2007**

(51) **LOC (9) Cl.** **09-01**

(52) **U.S. Cl.** **D9/551**; D9/504; D9/558; D9/439; D9/454; D23/366

(58) **Field of Classification Search** D9/682, D9/686-694, 500, 503, 504, 529-530, 435, D9/439, 453-454, 502, 549-575, 519, 521-526, D9/535, 537-543; D28/4, 7, 76, 82; 215/379, 215/382-384; 220/660, 669, 670; D7/612-615; D26/7-16; D23/366

See application file for complete search history.

(56) **References Cited**

U.S. PATENT DOCUMENTS

D28,637 S *	5/1898	Estes	D9/504
D59,596 S *	11/1921	Hyatt	D9/452
D61,047 S *	6/1922	Mace	D9/503
3,263,847 A *	8/1966	Amann	215/382
D235,187 S *	5/1975	Archenbach	D7/391
D243,065 S *	1/1977	Picker	D9/503
D249,998 S *	10/1978	Gobleck, Jr.	D7/613
D272,507 S *	2/1984	Conti	D7/615
D325,521 S *	4/1992	Fischer et al.	D9/453 X
5,874,141 A *	2/1999	Matsui	215/371 X
D432,223 S *	10/2000	King	D23/366
D442,301 S *	5/2001	Klett et al.	D26/7
D443,083 S *	5/2001	Dearth	D26/10
D446,587 S *	8/2001	Klett et al.	D26/7
D453,041 S	1/2002	Nelson	

D453,561 S	2/2002	Nelson	
D455,827 S *	4/2002	Simons et al.	D23/366
D464,417 S	10/2002	Nelson	
D492,798 S *	7/2004	Reynolds et al.	D26/11
D495,599 S *	9/2004	Biesecker	D9/454 X
D510,762 S *	10/2005	Ashford et al.	D23/366
7,028,843 B2 *	4/2006	Byun	206/581
D547,431 S *	7/2007	Butler et al.	D23/366
D556,922 S *	12/2007	Morrison	D26/23

FOREIGN PATENT DOCUMENTS

GB	1057931	*	10/1989
GB	2047949	*	9/1995

OTHER PUBLICATIONS

Yankee Candle candle designs (<http://web.archive.org/web/19971015023502/http://www.yankeecandle.com/>) Publication date Oct. 15, 1997.

* cited by examiner

Primary Examiner—Carol Rademaker

(74) *Attorney, Agent, or Firm*—Carmody & Torrance LLP

(57) **CLAIM**

The ornamental design for a dispenser for dispensing fragrances, as shown and described.

DESCRIPTION

FIG. 1 is a perspective view of a dispenser for dispensing fragrances showing our new design;

FIG. 2 is a front elevational view thereof;

FIG. 3 is a back elevational view thereof;

FIG. 4 left side elevational view thereof;

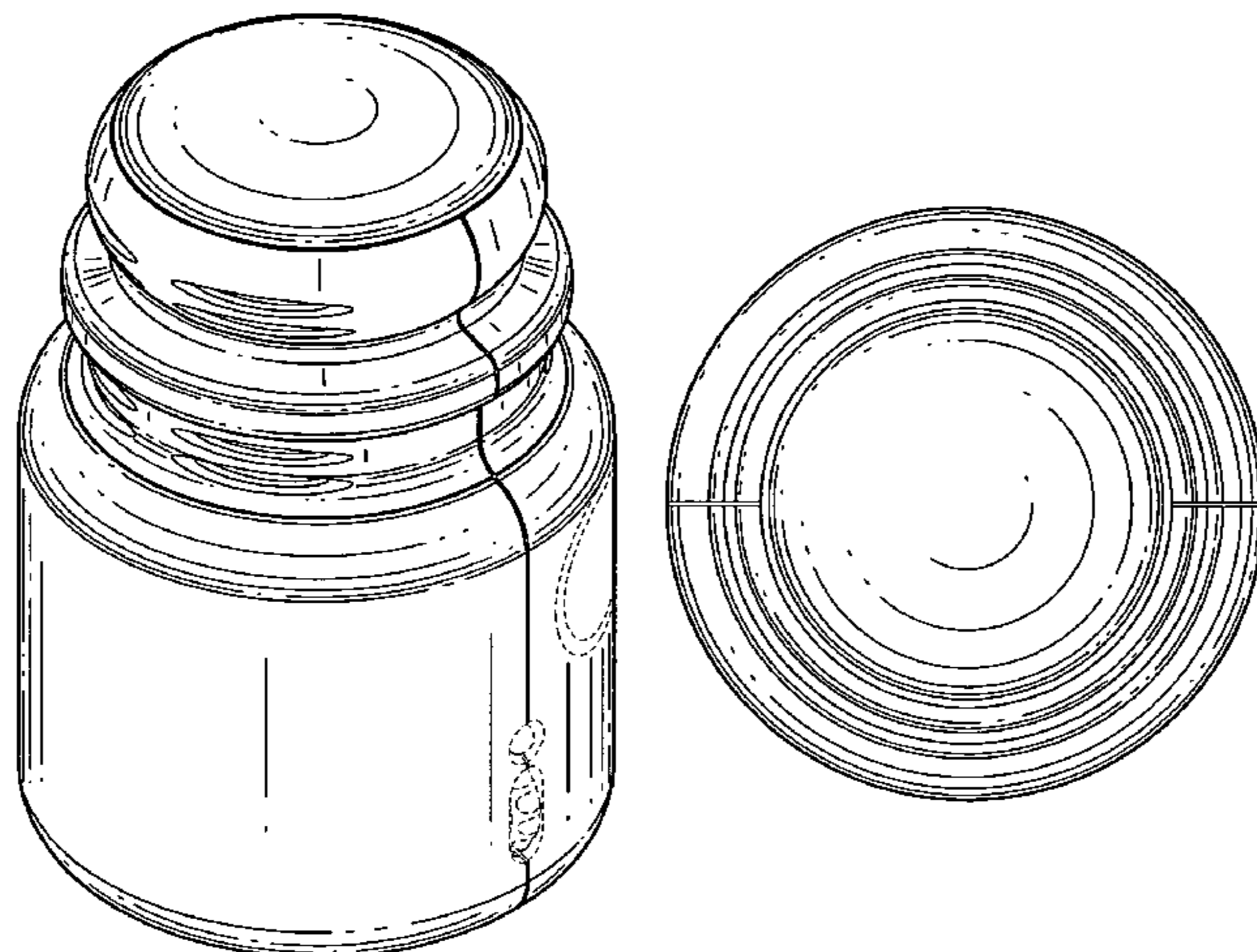
FIG. 5 right side elevational view thereof;

FIG. 6 is a top plan view thereof; and,

FIG. 7 is a bottom plan view thereof.

The broken lines shown in the drawing views are included for the purpose of showing environmental structure that forms no part of the claimed design.

1 Claim, 3 Drawing Sheets



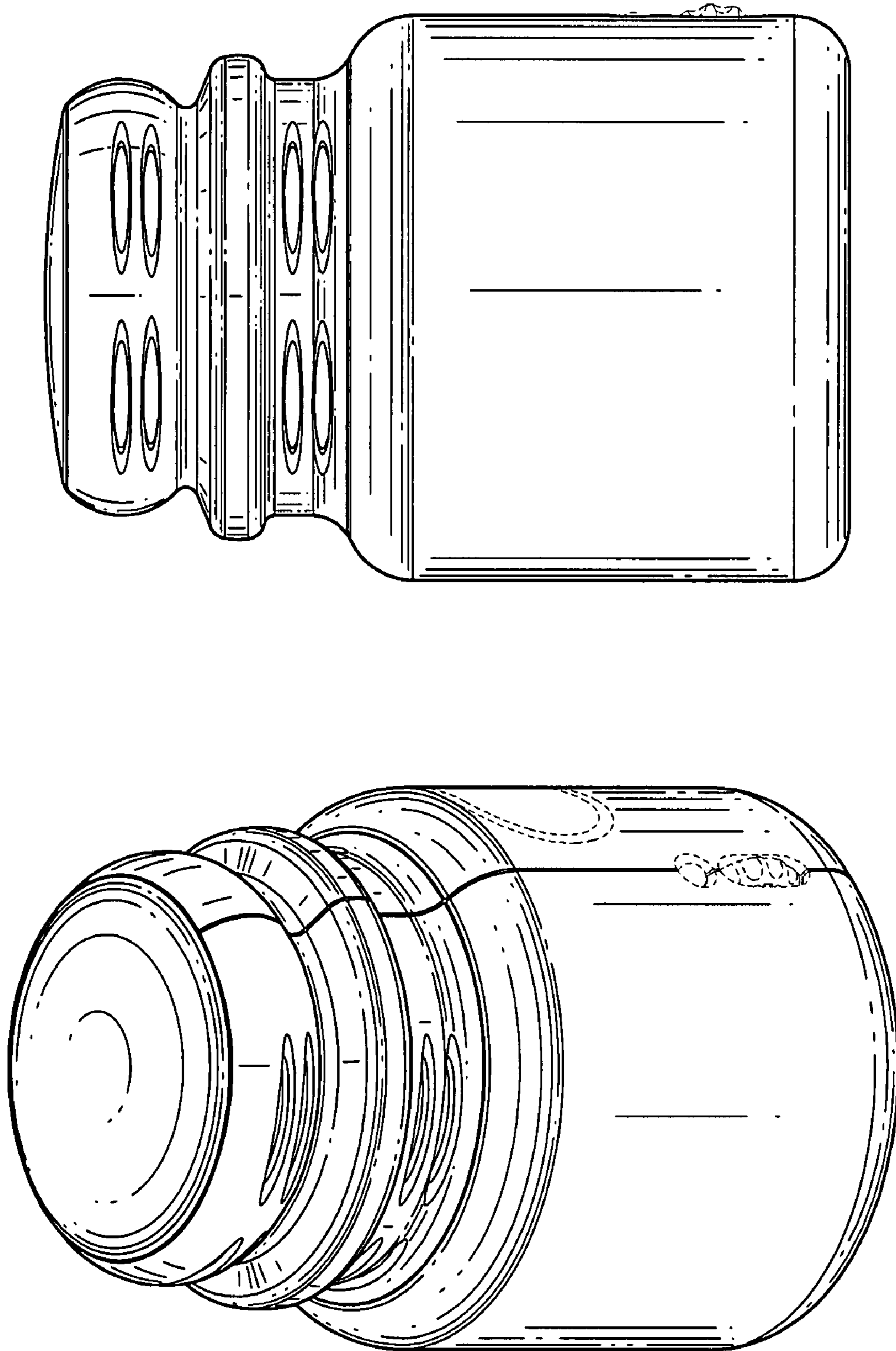


FIG. 1

FIG. 2

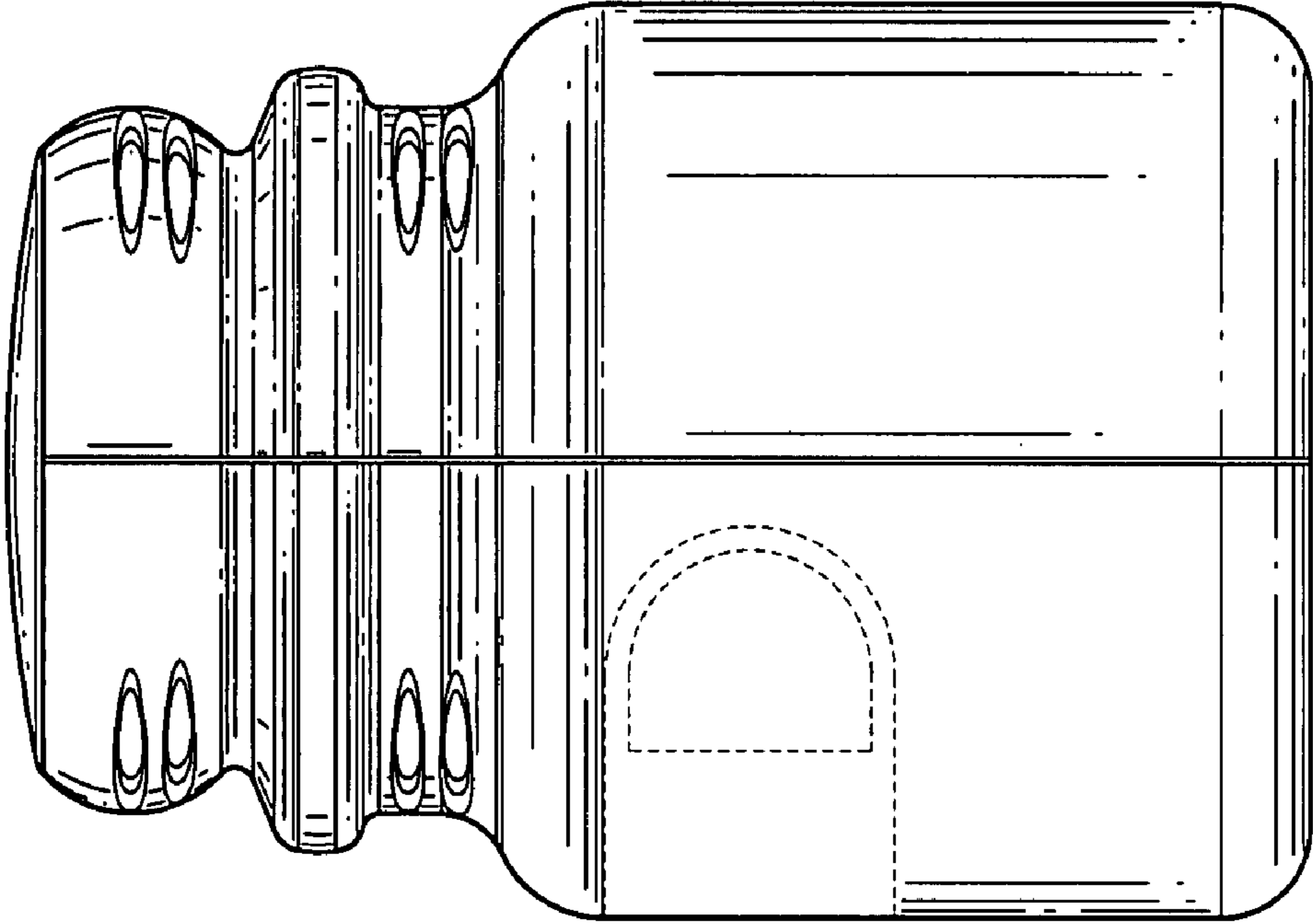


FIG. 4

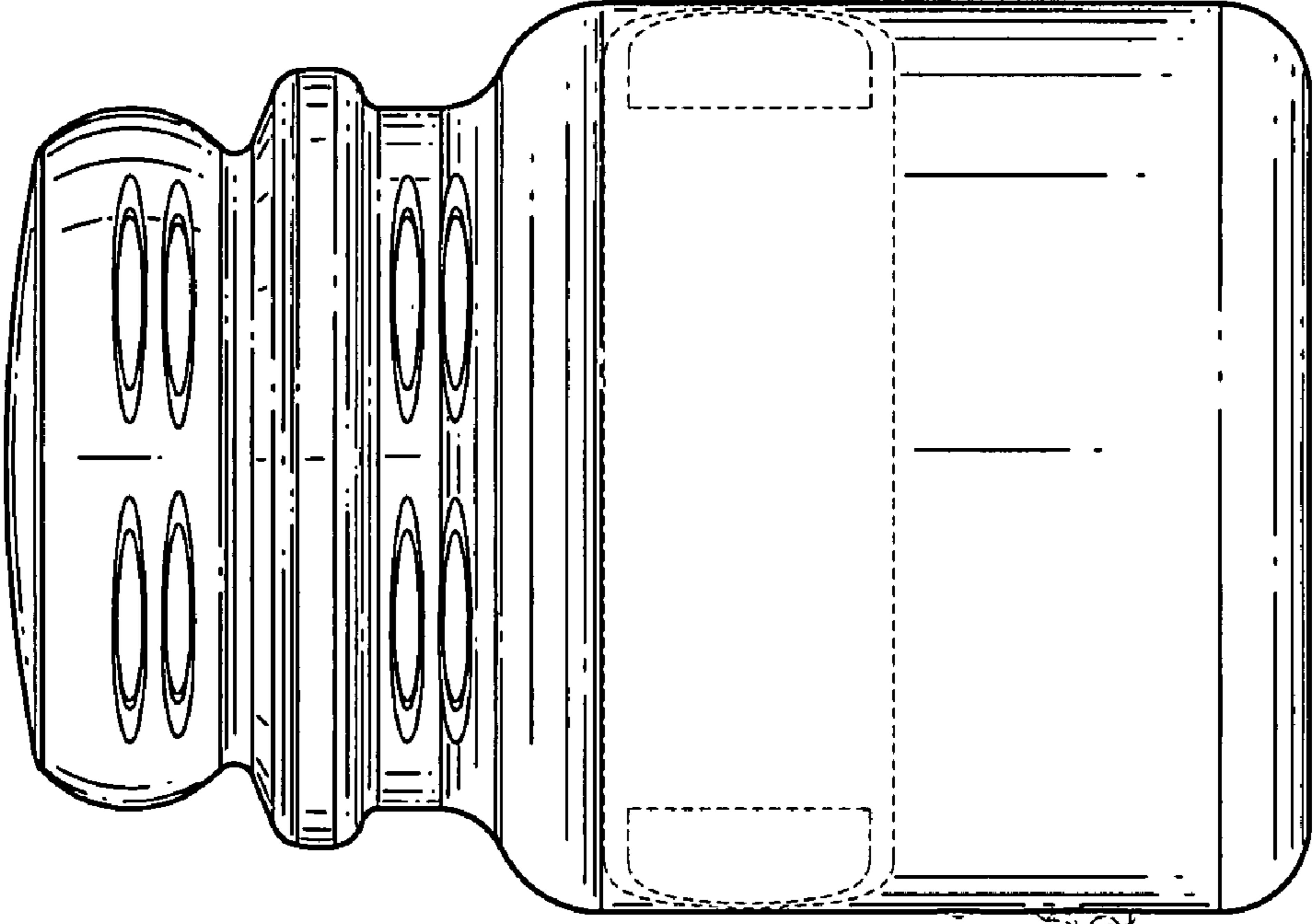


FIG. 3

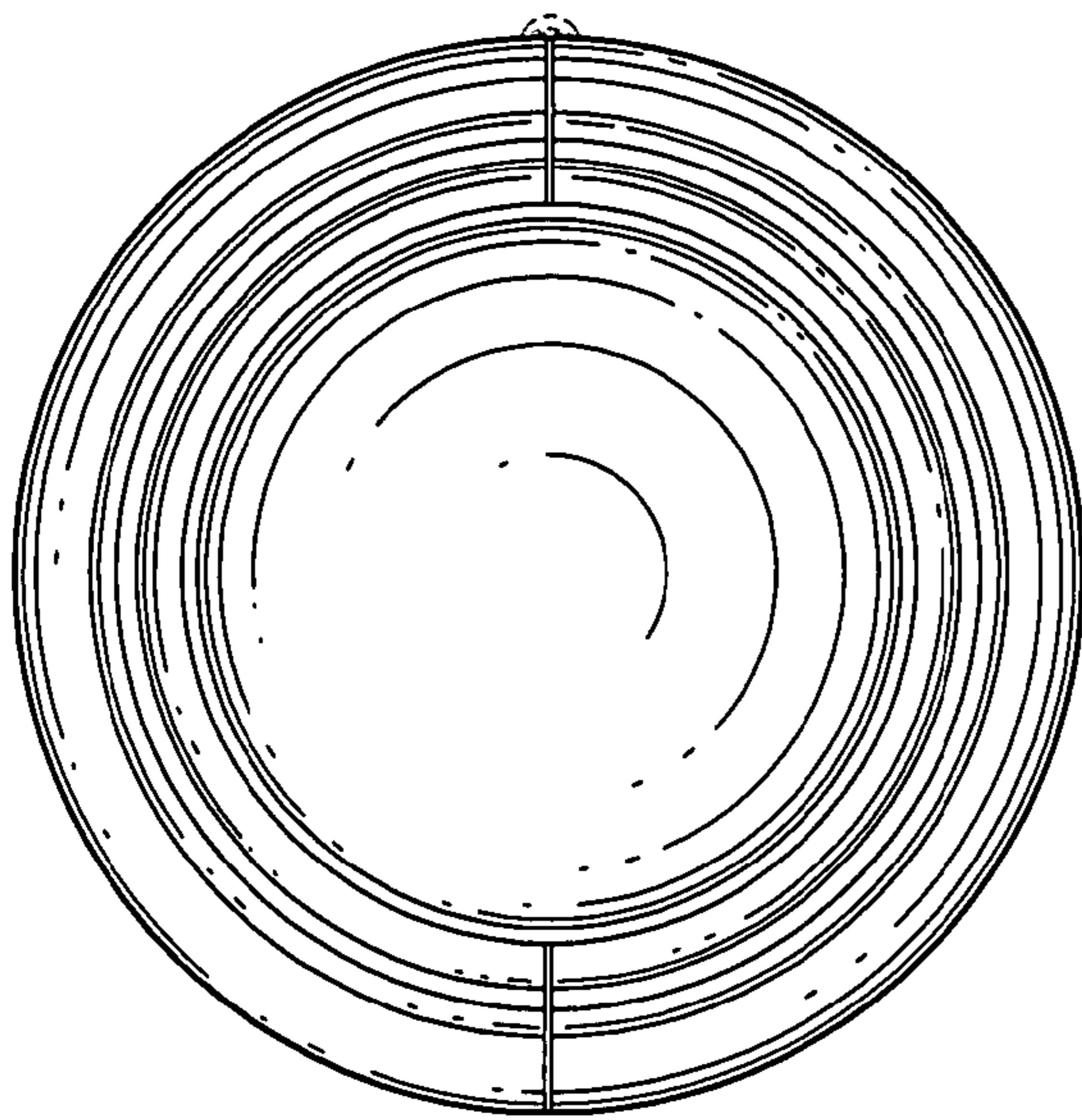


FIG. 6

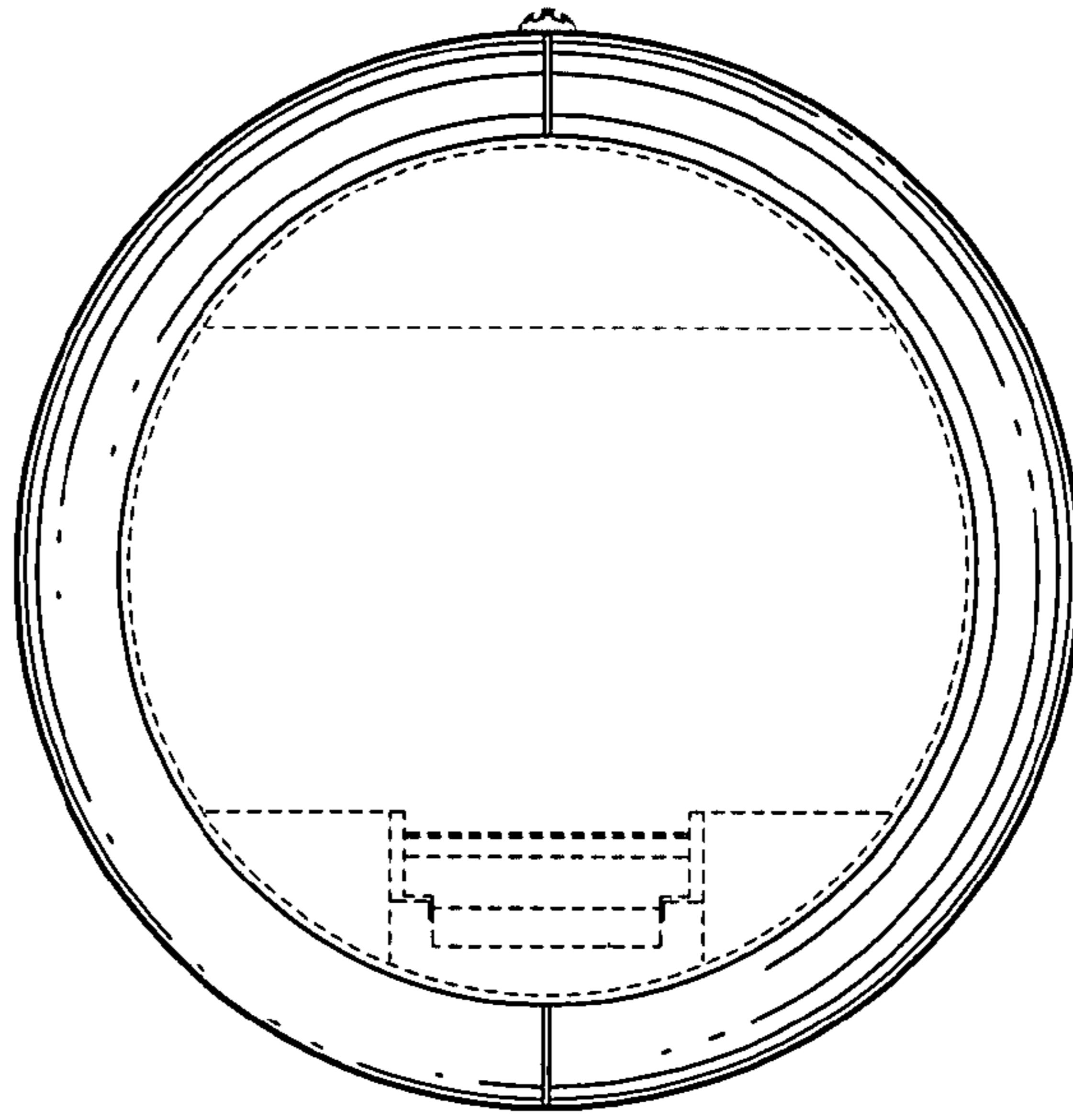


FIG. 7

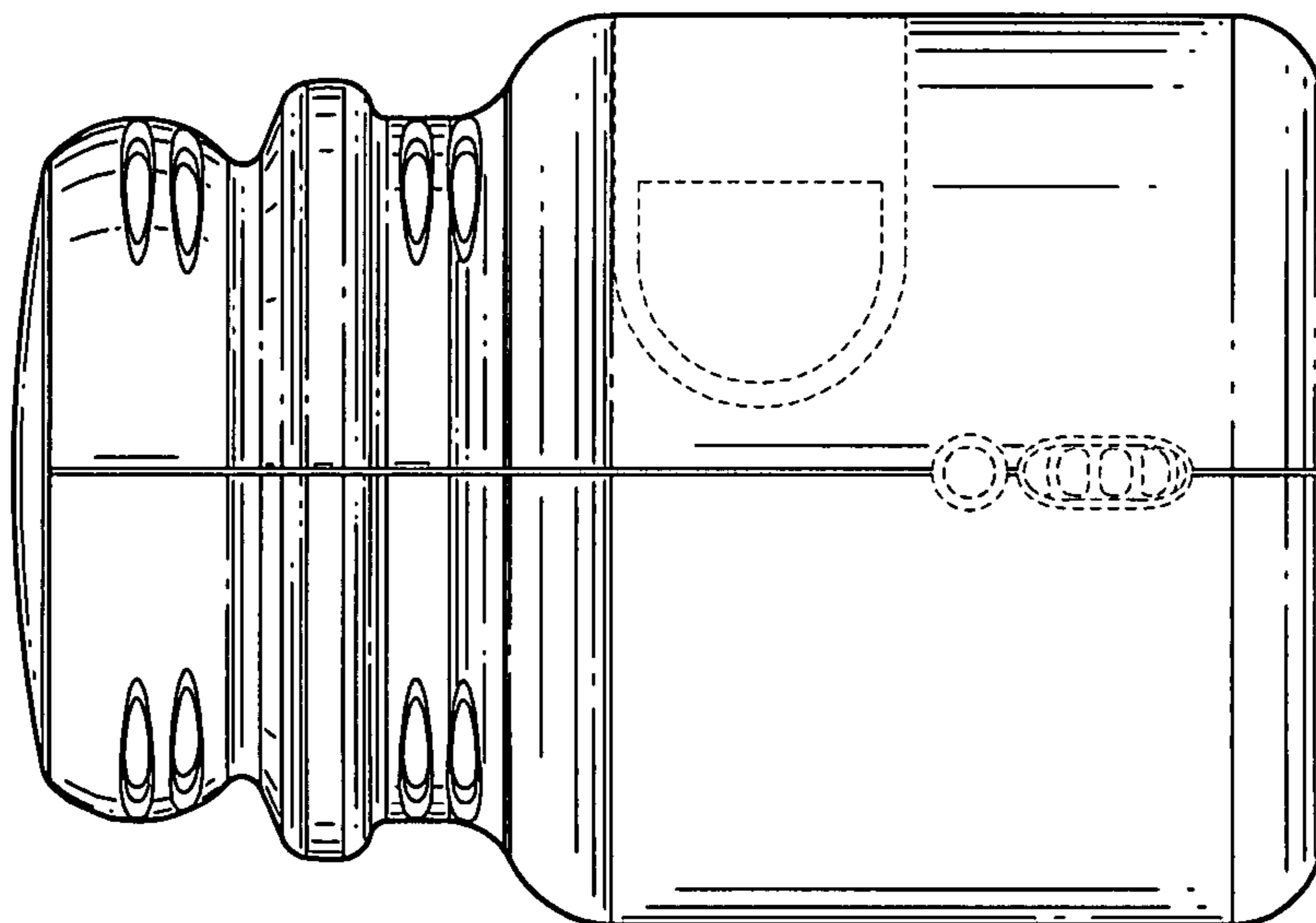


FIG. 5