



US00D600128S

(12) **United States Design Patent**  
**Miller**

(10) **Patent No.:** **US D600,128 S**

(45) **Date of Patent:** **\*\* Sep. 15, 2009**

(54) **BOTTLE**

(75) Inventor: **Douglas Scott Miller**, Lebanon, OH  
(US)

(73) Assignee: **The Procter & Gamble Company**,  
Cincinnati, OH (US)

(\*\*) Term: **14 Years**

(21) Appl. No.: **29/329,723**

(22) Filed: **Dec. 19, 2008**

**Related U.S. Application Data**

(62) Division of application No. 29/288,509, filed on Jun. 13, 2007, now Pat. No. Des. 585,299.

(51) **LOC (9) Cl.** ..... **09-01**

(52) **U.S. Cl.** ..... **D9/530; D9/555; D9/556**

(58) **Field of Classification Search** ..... D9/682-694,  
D9/516-575; 215/379, 382-384; 220/669-671  
See application file for complete search history.

(56) **References Cited**

**U.S. PATENT DOCUMENTS**

D35,366 S *	12/1901	Lorenz	.....	D9/550
D94,101 S *	12/1934	Spence	.....	D9/556
D111,226 S *	9/1938	Runnels	.....	D9/550
D125,922 S *	3/1941	McIntosh	.....	D9/568
D196,330 S *	9/1963	Mann	.....	D9/774
D209,714 S *	12/1967	Evans	.....	D9/555
D223,334 S *	4/1972	Hayes et al.	.....	D9/542
D234,076 S *	1/1975	Peterson	.....	D9/544

D254,838 S *	4/1980	Agnone et al.	.....	D9/691
D278,683 S *	5/1985	Biesecker	.....	D9/556
D286,374 S *	10/1986	Bussell	.....	D9/692
D402,206 S *	12/1998	Mastey	.....	D9/556
D419,864 S *	2/2000	Kuzma et al.	.....	D9/682
D486,399 S *	2/2004	Bakic	.....	D9/549

**FOREIGN PATENT DOCUMENTS**

GB 2023071 \* 3/1993

\* cited by examiner

*Primary Examiner*—Catherine Tuttle

(74) *Attorney, Agent, or Firm*—Linda M. Sivik

(57) **CLAIM**

The ornamental design for a bottle, as shown and described.

**DESCRIPTION**

FIG. 1 is a perspective view of a bottle showing my new design;

FIG. 2 is a front side view of the bottle as shown in FIG. 1;

FIG. 3 is a back side view of the bottle as shown in FIG. 1;

FIG. 4 is a right side view of the bottle as shown in FIG. 1;

FIG. 5 is a left side view of the bottle as shown in FIG. 1;

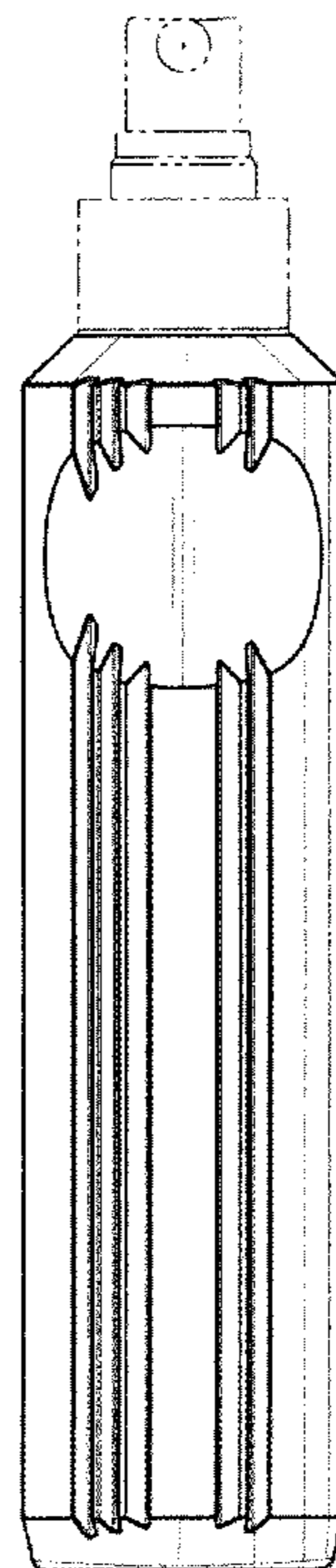
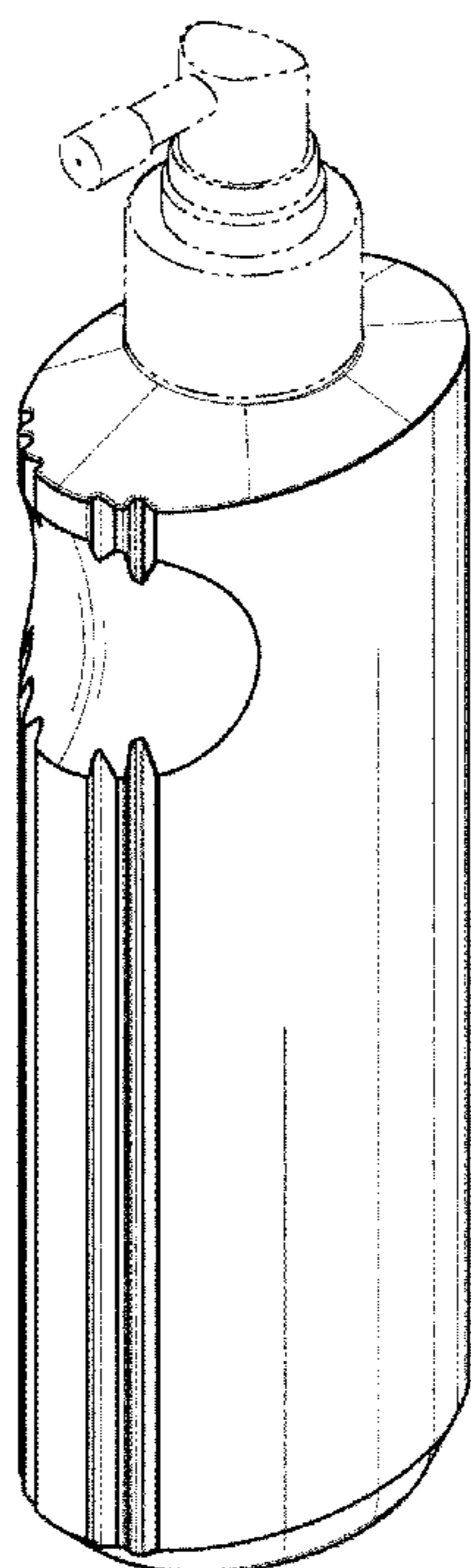
FIG. 6 is a top view of the bottle as shown in FIG. 1; and,

FIG. 7 is a bottom view of the bottle as shown in FIG. 1.

The appearance within the unshaded central region of the bottom end in FIG. 7 forms no part of the claimed design.

The broken lines are included for the purpose of illustrating a portion(s) of the bottle that form no part of the claimed design.

**1 Claim, 5 Drawing Sheets**



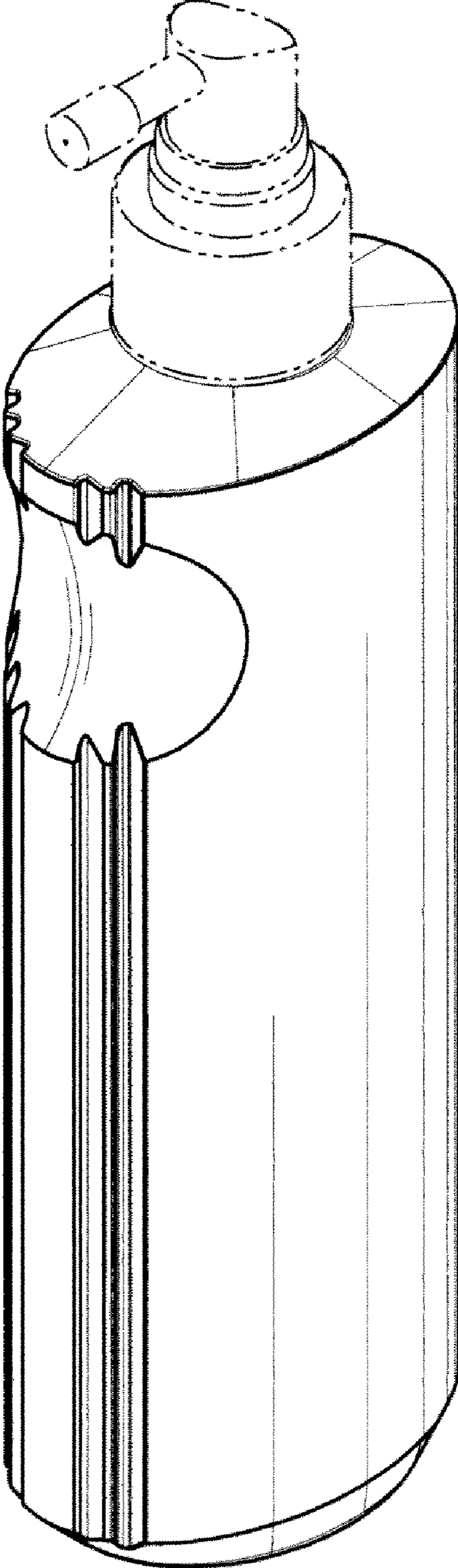
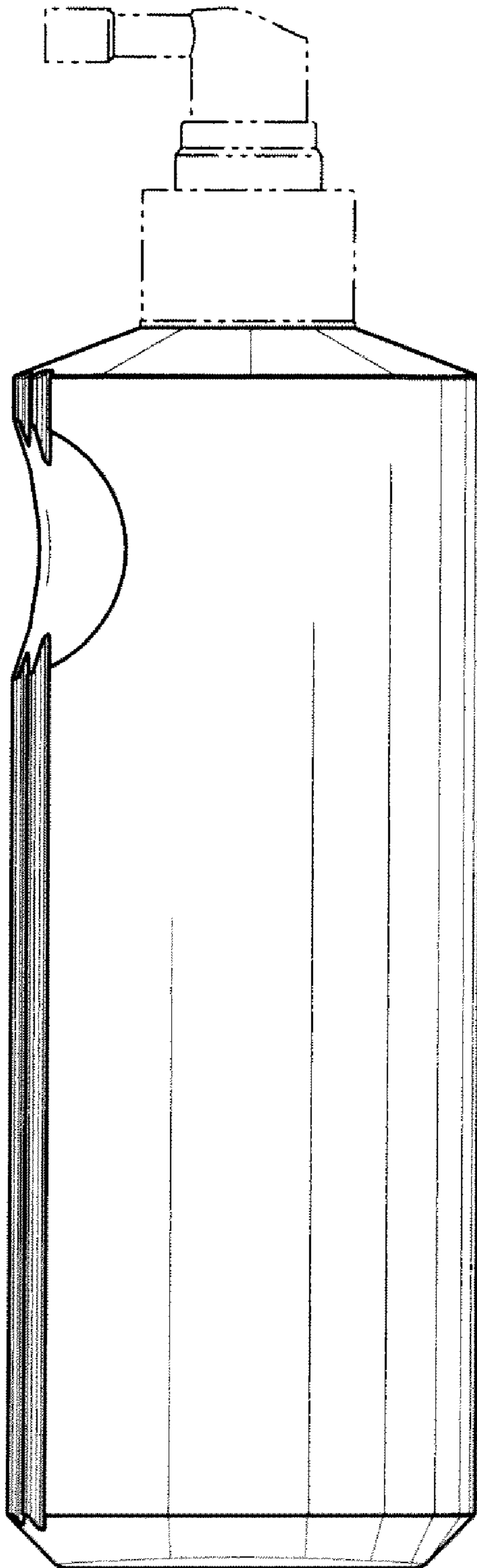
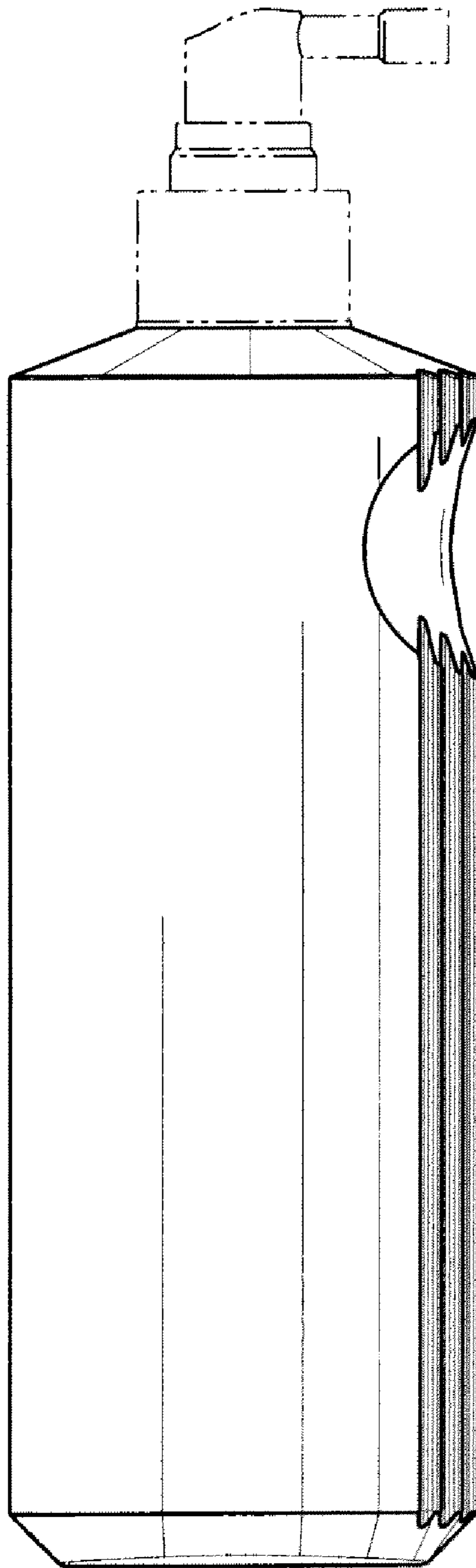


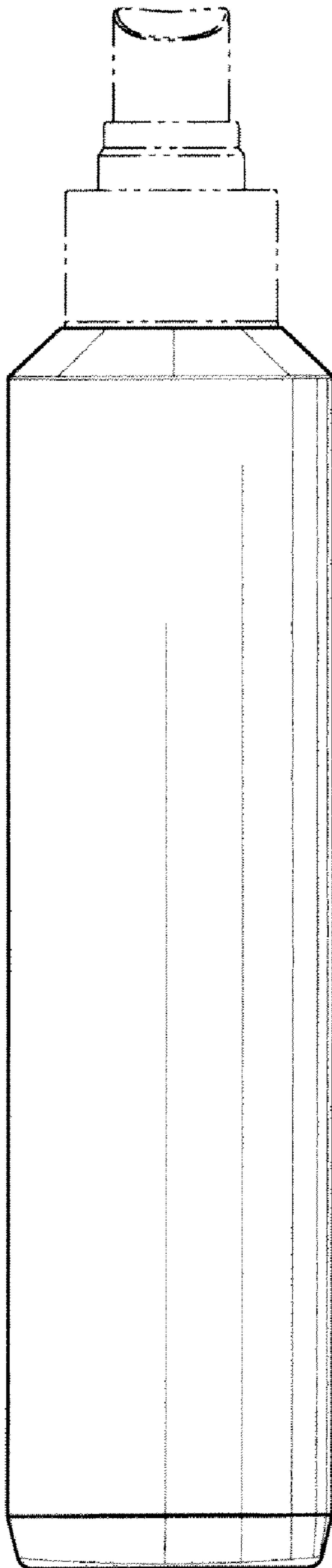
Fig. 1



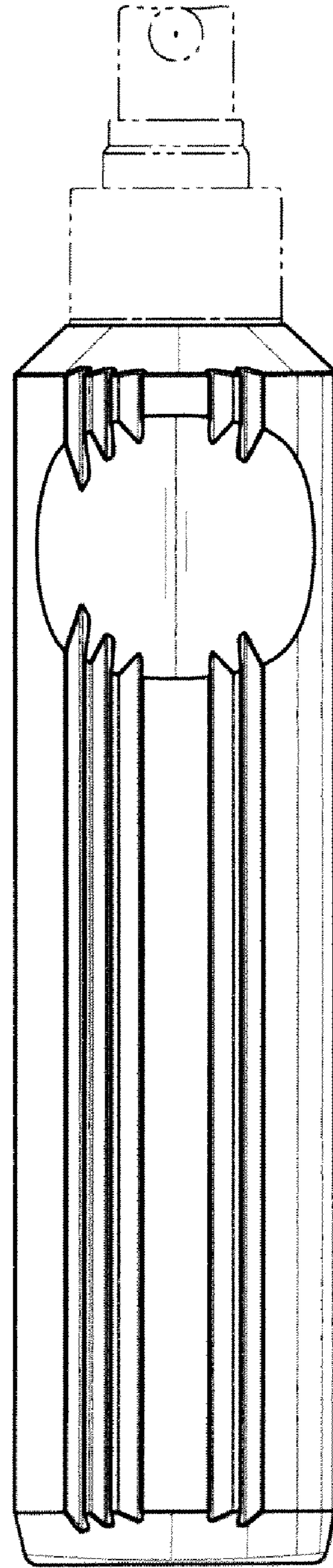
**Fig. 2**



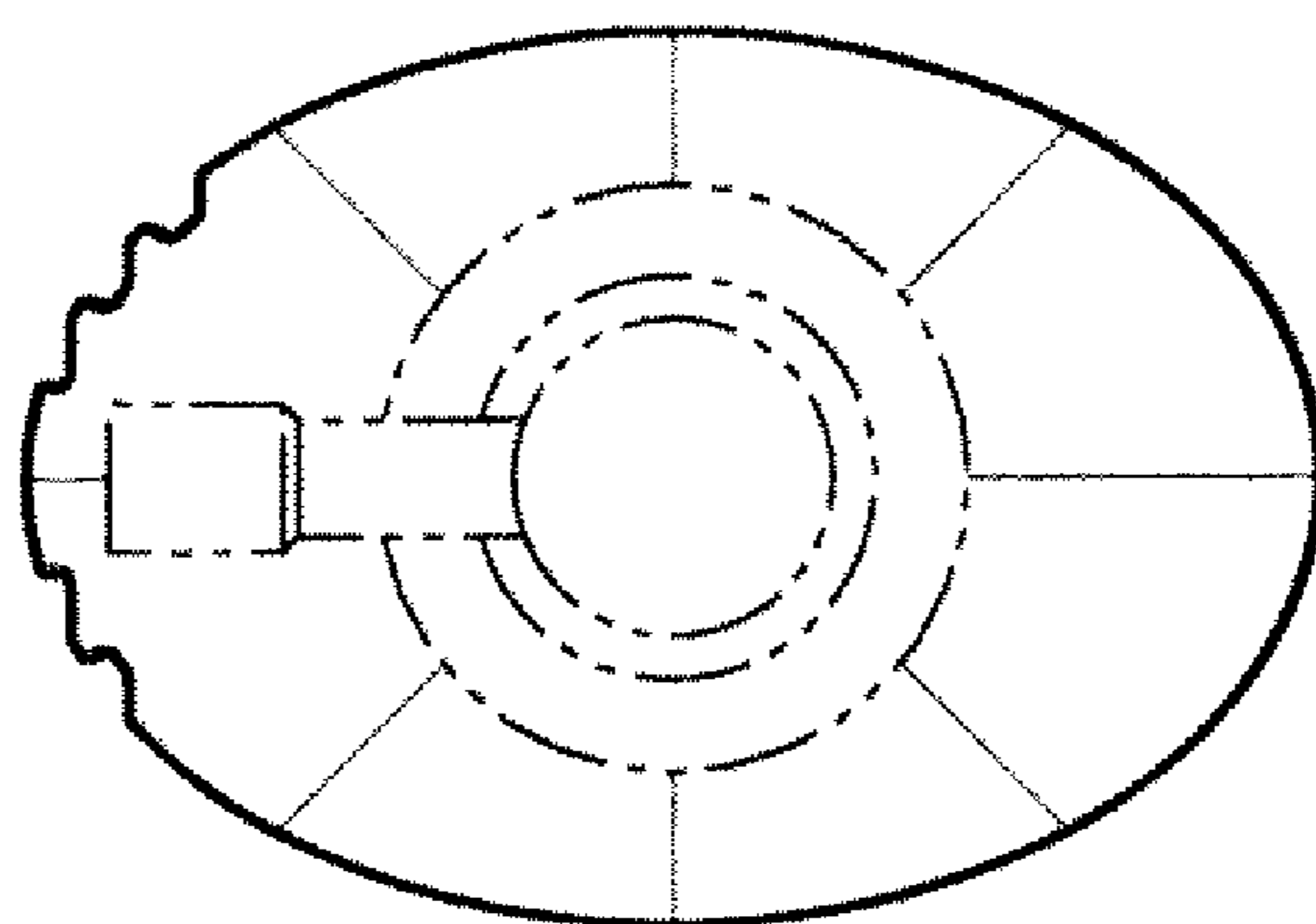
**Fig. 3**



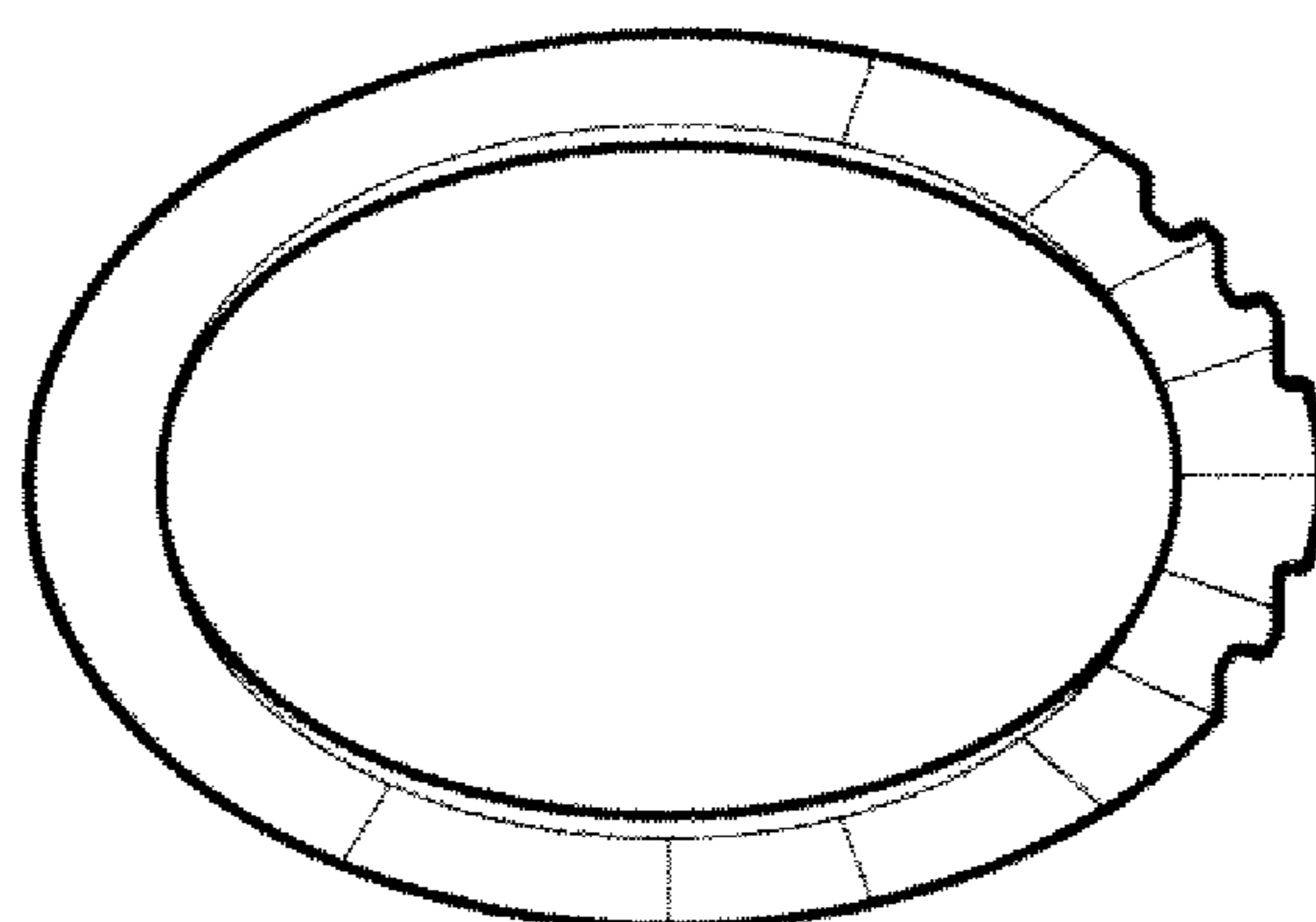
**Fig. 4**



**Fig. 5**



**Fig. 6**



**Fig. 7**