



US00D600125S

(12) **United States Design Patent**  
**Tarnacki et al.**

(10) **Patent No.:** **US D600,125 S**  
(45) **Date of Patent:** **\*\* Sep. 15, 2009**

(54) **PACKAGE DESIGN FOR MULTI-USE  
CONTAINER FOR SMALL ENGINE TUNE-UP  
KIT**

(75) Inventors: **Brian Tarnacki**, White Lake, MI (US);  
**Michael Proud**, Brighton, MI (US);  
**Jennifer J. Bontomasi**, Grosse Pointe,  
MI (US)

(73) Assignee: **Federal-Mogul Worldwide, Inc.**,  
Southfield, MI (US)

(\*\*) Term: **14 Years**

(21) Appl. No.: **29/284,221**

(22) Filed: **Sep. 4, 2007**

(51) **LOC (9) Cl.** ..... **09-01**

(52) **U.S. Cl.** ..... **D9/523**

(58) **Field of Classification Search** ..... D9/516,  
D9/523-525, 528-529, 560, 572, 432; 215/12.1-12.2,  
215/13.1; D3/302; 206/223, 575, 822

See application file for complete search history.

(56) **References Cited**

U.S. PATENT DOCUMENTS

584,275 A	6/1897	Sevier	
3,016,133 A	1/1962	Jones	
D201,580 S *	7/1965	Dike	..... D9/560
3,554,369 A	1/1971	Paschke	
3,703,956 A	11/1972	Oswalt	
4,098,398 A	7/1978	Meyers	
4,125,207 A	11/1978	Ernst et al.	
4,403,692 A	9/1983	Pollacco	
4,756,411 A	7/1988	Garland	
4,856,652 A	8/1989	Bowland	
4,887,717 A	12/1989	Secrest, Jr.	
5,080,149 A	1/1992	Peoples	
5,092,457 A	3/1992	Islava et al.	

5,101,870 A	4/1992	Farris	
5,305,910 A	4/1994	Pollacco	
D361,938 S *	9/1995	Sawa et al.	..... D9/563
6,085,806 A	7/2000	Davis et al.	
6,234,220 B1	5/2001	Davis et al.	
6,318,417 B1	11/2001	Davis et al.	
D461,720 S *	8/2002	Peltier	..... D9/560
6,457,493 B1	10/2002	Davis et al.	
D491,070 S *	6/2004	Boldrini et al.	..... D9/573
6,742,551 B2	6/2004	Davis et al.	
D494,869 S *	8/2004	McNiel	..... D9/560

\* cited by examiner

*Primary Examiner*—Nanda Bondade

(74) *Attorney, Agent, or Firm*—Robert L. Stearns; Dickinson  
Wright PLLC

(57) **CLAIM**

We claim the ornamental design for a package design for  
multi-use container for small engine tune-up kit, as shown  
and described.

**DESCRIPTION**

FIG. 1 is a perspective view of a container for a small engine  
tune-up kit according to this invention;

FIG. 2 is a top view of the container;

FIG. 3 is a front view of the container;

FIG. 4 is a right side view of the container;

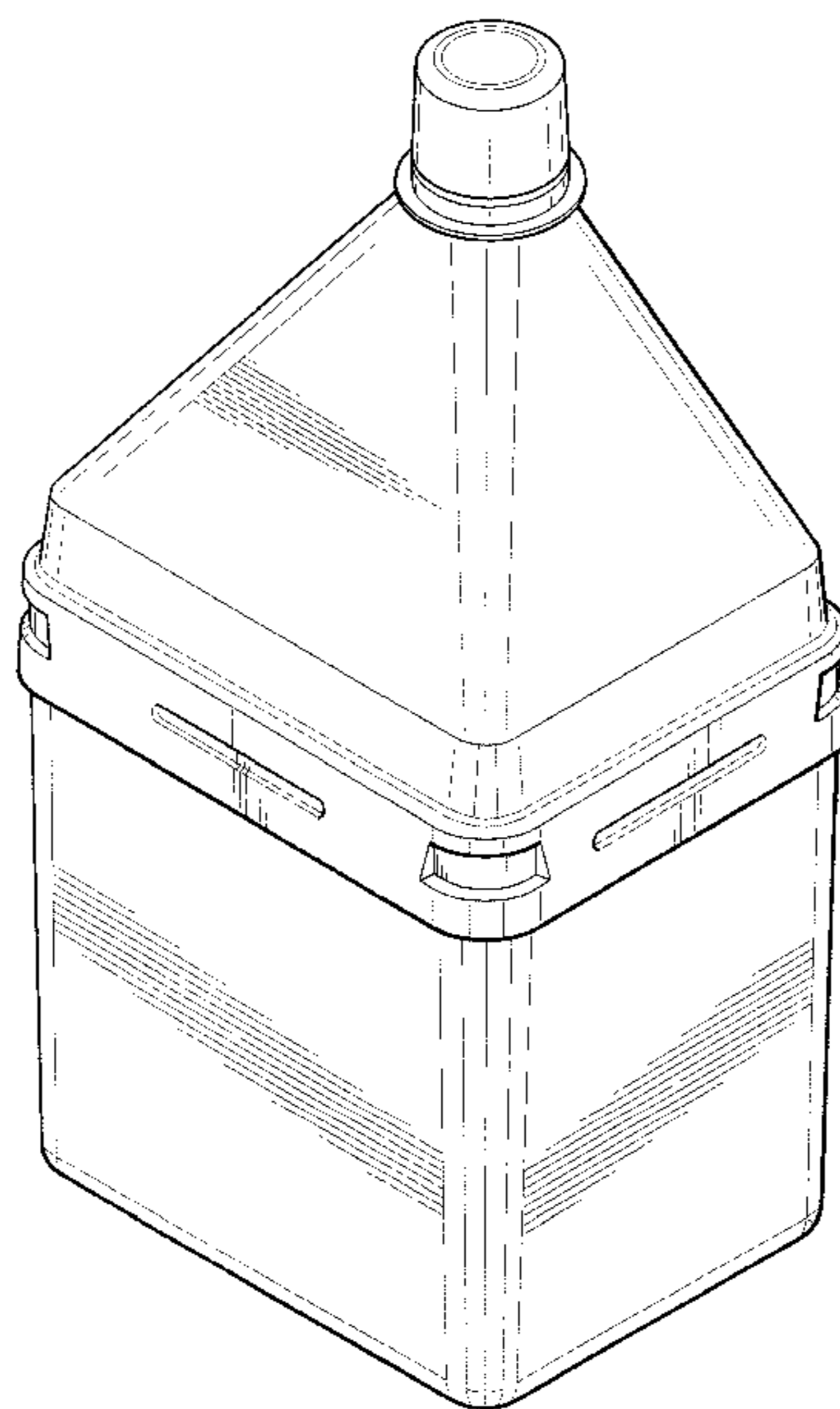
FIG. 5 is a left side view of the container;

FIG. 6 is a bottom view of the container;

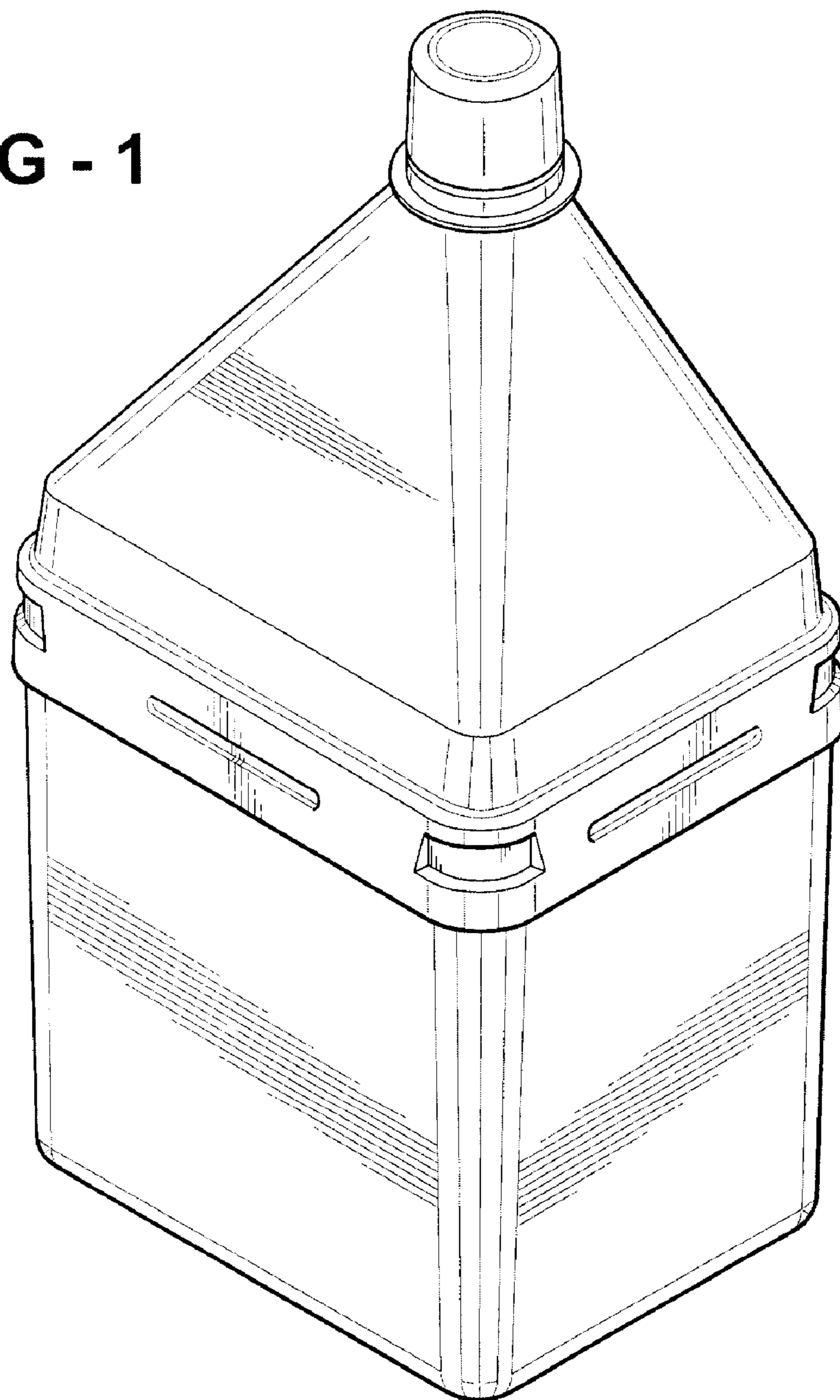
FIG. 7 is a rear view of the container; and,

FIG. 8 is an exploded perspective view of the container  
depicting the lid separated from the base, the broken line  
showing of the components carried inside is for illustrative  
purposes only and forms no part of the claimed design.

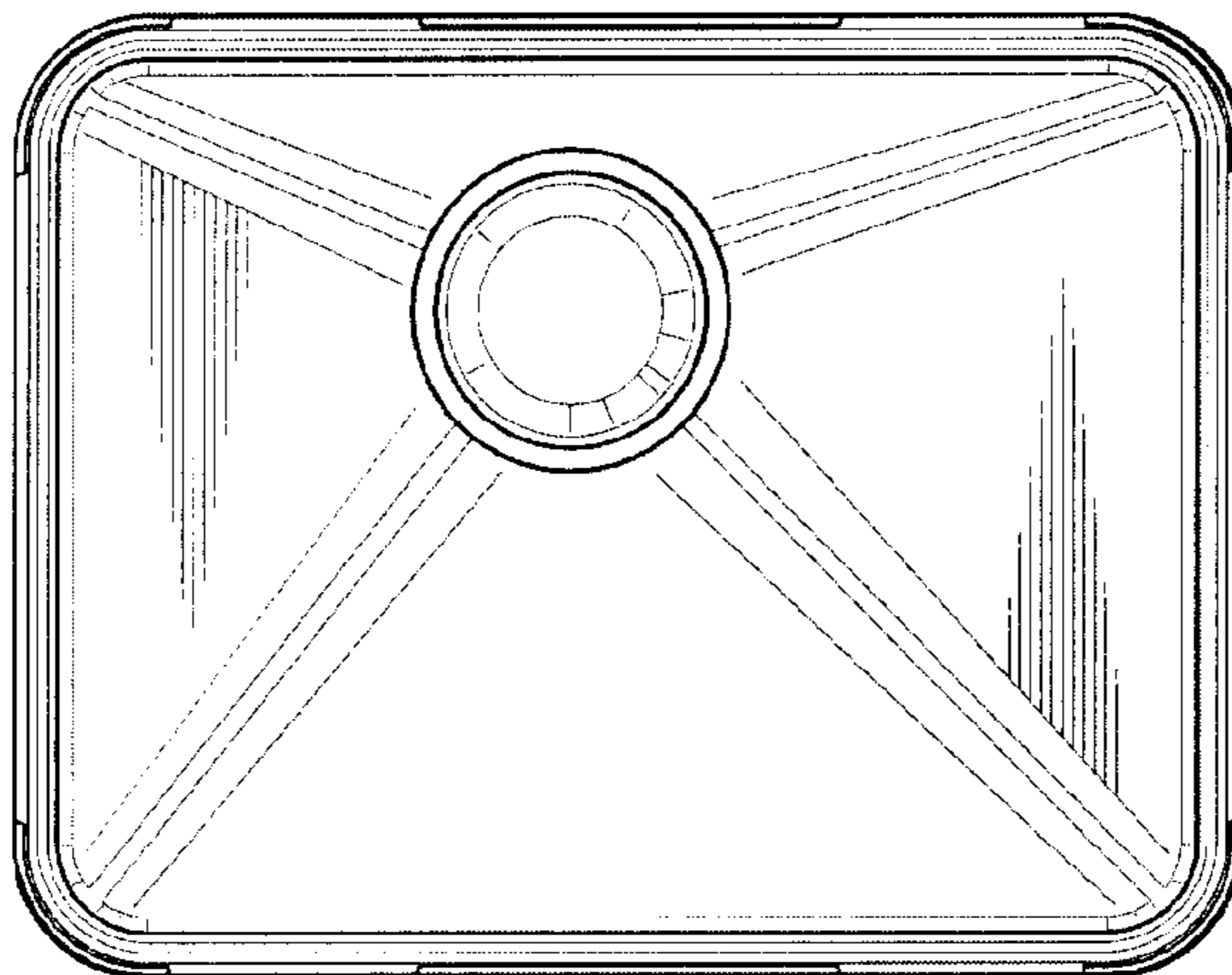
**1 Claim, 5 Drawing Sheets**



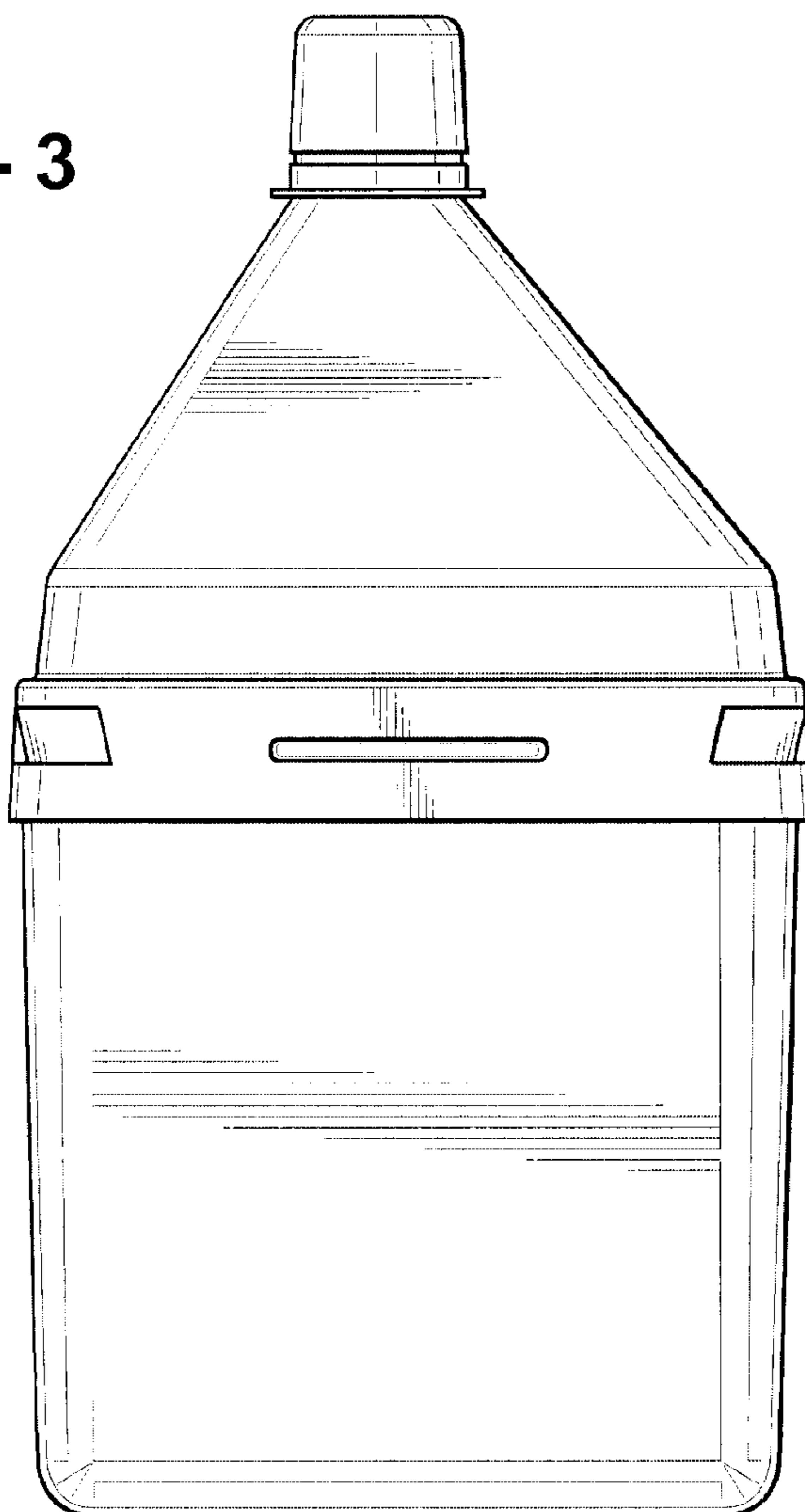
**FIG - 1**



**FIG - 2**



**FIG - 3**



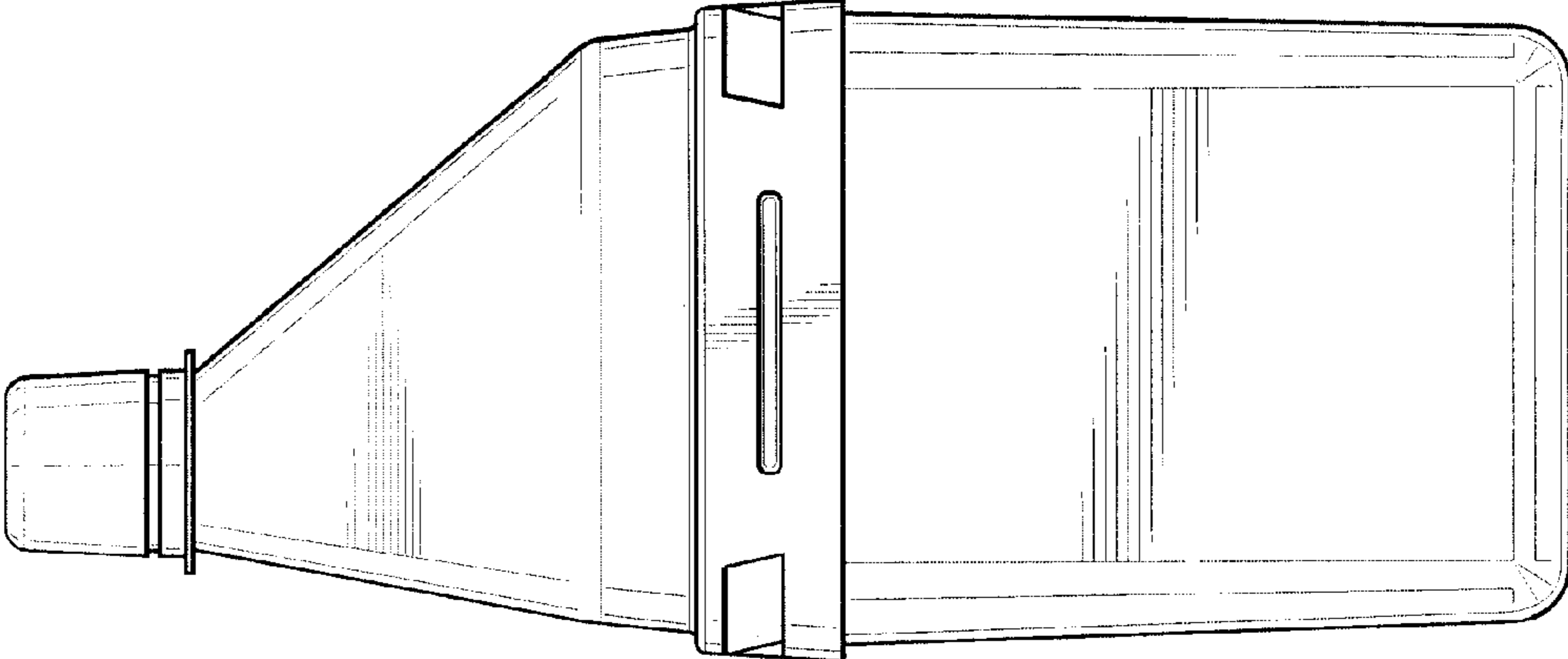


FIG - 5

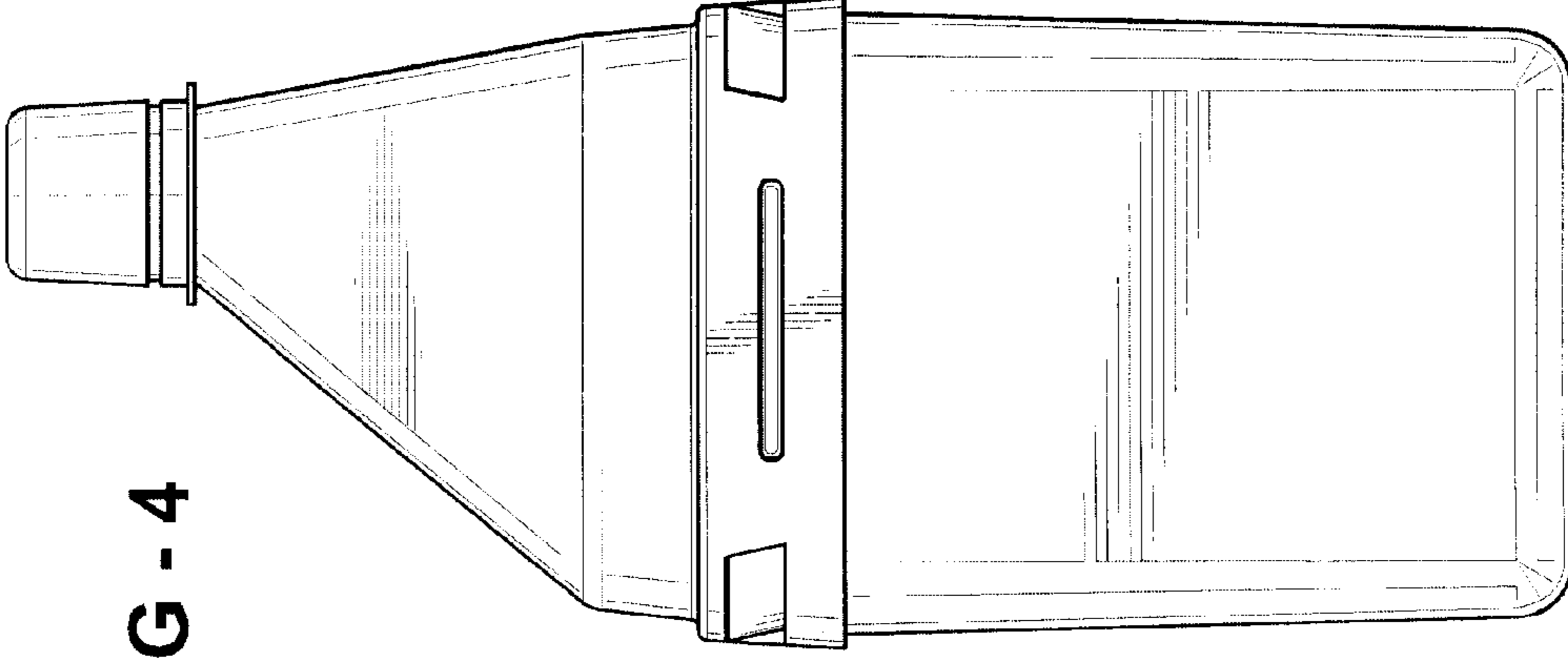


FIG - 4

FIG - 6

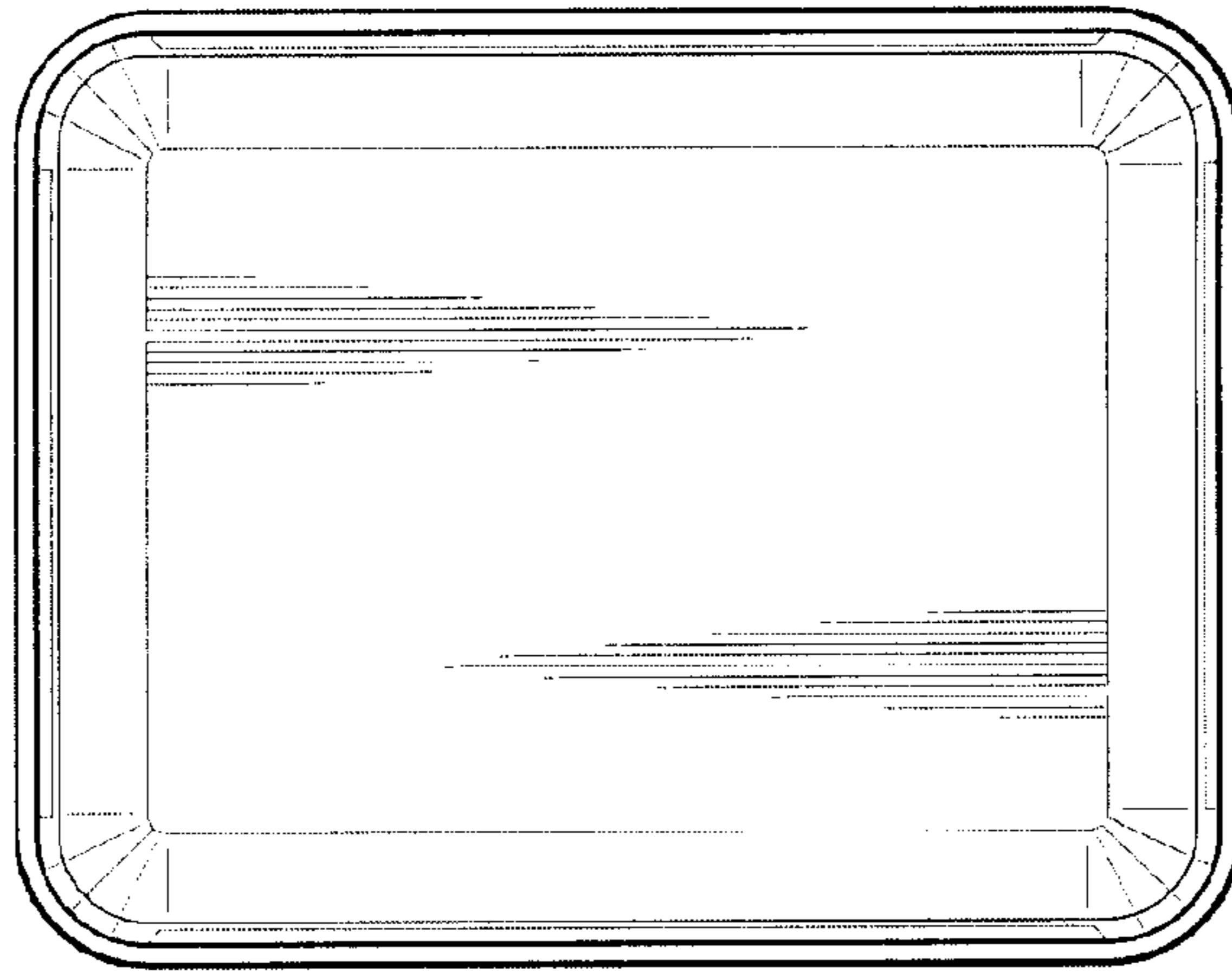
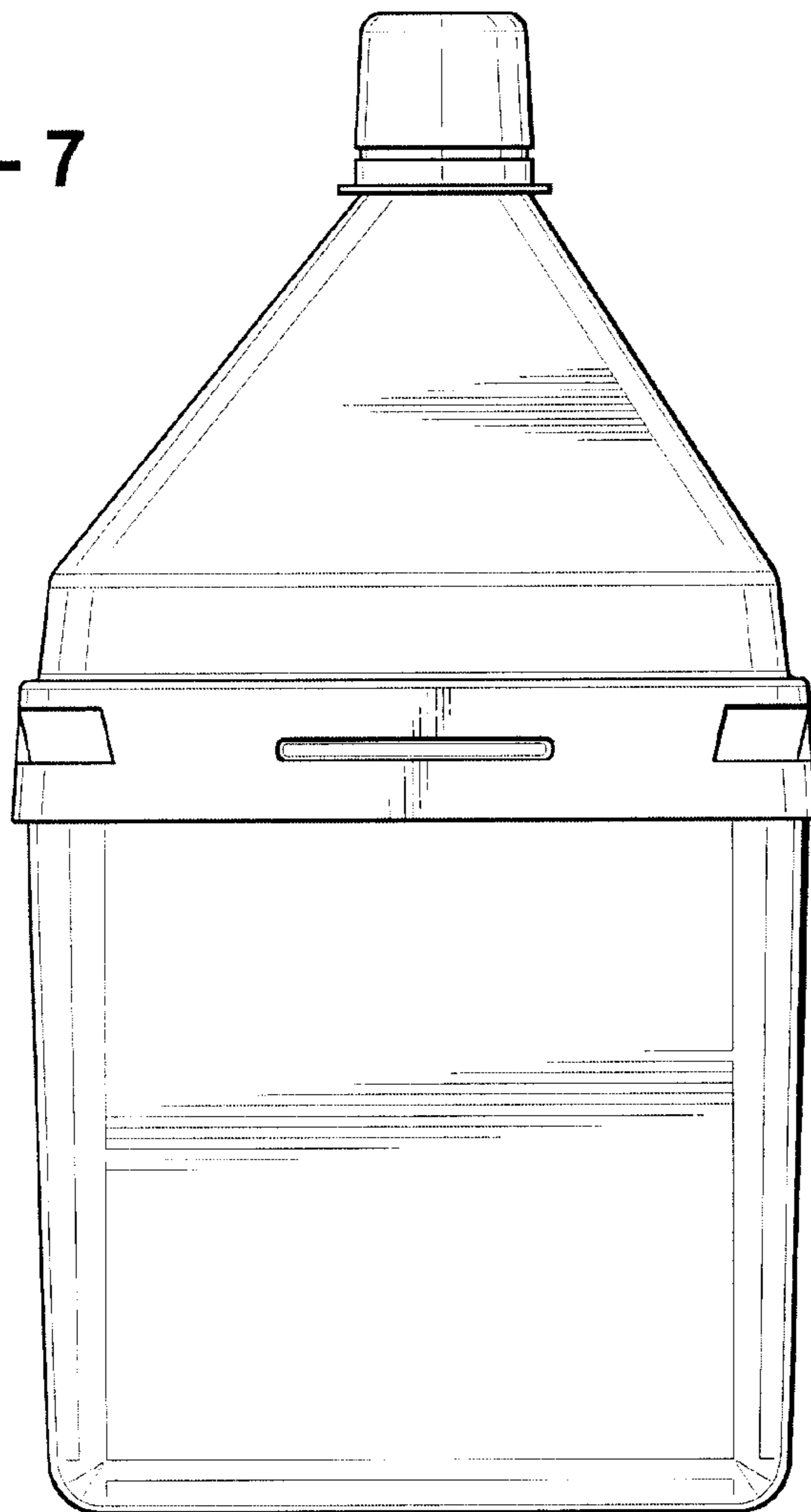


FIG - 7



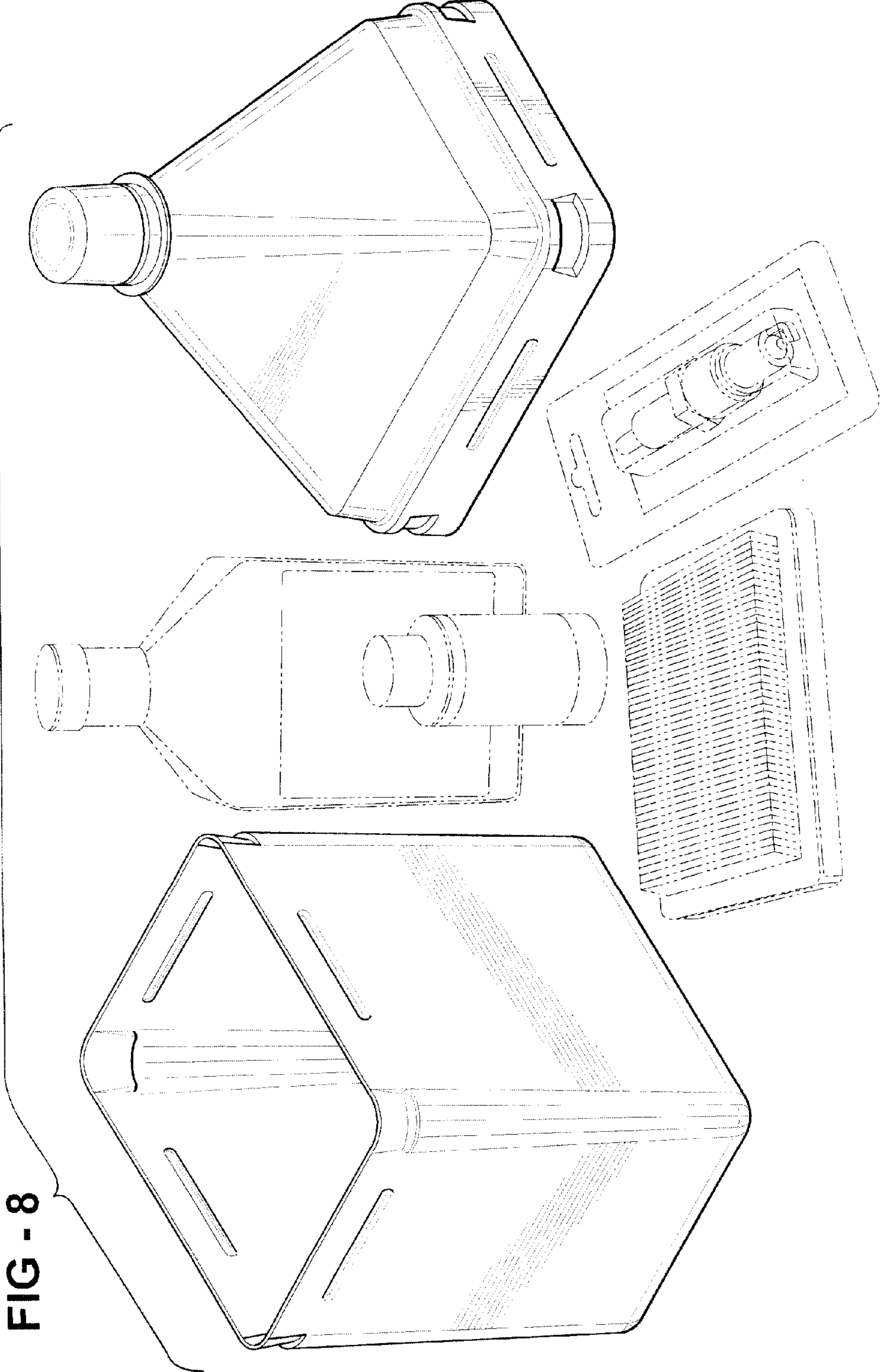


FIG - 8