



US00D600122S

(12) **United States Design Patent**  
**Strasser et al.**

(10) **Patent No.:** **US D600,122 S**

(45) **Date of Patent:** **\*\* Sep. 15, 2009**

(54) **CONTAINER**

D580,271 S \* 11/2008 Tsai ..... D9/542  
D588,917 S \* 3/2009 Shmagin ..... D9/516  
D591,604 S \* 5/2009 Shmagin ..... D9/551

(75) Inventors: **Walter J. Strasser**, Cement City, MI (US); **Richard J. Steih**, Britton, MI (US); **Christopher LaBombarbe**, Ypsilanti, MI (US); **Dwayne Gannon**, Tecumseh, MI (US); **David Downing**, Ann Arbor, MI (US)

\* cited by examiner

*Primary Examiner*—Stella M Reid  
*Assistant Examiner*—Elizabeth J Oswecki  
(74) *Attorney, Agent, or Firm*—Harness, Dickey & Pierce, P.L.C.

(73) Assignee: **Ancor Limited**, Abbotsford, Victoria (AU)

(\*\*) Term: **14 Years**

(21) Appl. No.: **29/330,048**

(22) Filed: **Dec. 29, 2008**

(51) **LOC (9) Cl.** ..... **09-01**

(52) **U.S. Cl.** ..... **D9/516; D9/553; D9/559**

(58) **Field of Classification Search** ..... D9/516,  
D9/537, 538, 539, 549, 553, 558, 559, 566,  
D9/571, 574; 215/381–385

See application file for complete search history.

(56) **References Cited**

U.S. PATENT DOCUMENTS

D94,157 S \* 12/1934 Marcus ..... D9/542  
D152,875 S \* 3/1949 Frame ..... D9/542  
D191,641 S \* 10/1961 DuPree ..... D9/541  
D266,310 S \* 9/1982 Fidler et al. .... D9/556  
D337,522 S \* 7/1993 Kingsbury ..... D9/538  
D465,151 S \* 11/2002 Mixon ..... D9/668  
D467,507 S \* 12/2002 Bryant et al. .... D9/570  
D470,058 S \* 2/2003 Bryant et al. .... D9/572  
D489,001 S \* 4/2004 Martin ..... D9/668

(57) **CLAIM**

The ornamental design for a container, as shown and described.

**DESCRIPTION**

FIG. 1 is a front perspective view of a container showing our new design;

FIG. 2 is a front elevational view thereof, the rear elevational view being a mirror image;

FIG. 3 is a right side elevational view thereof, the left side elevational view being a mirror image;

FIG. 4 is a top plan view thereof;

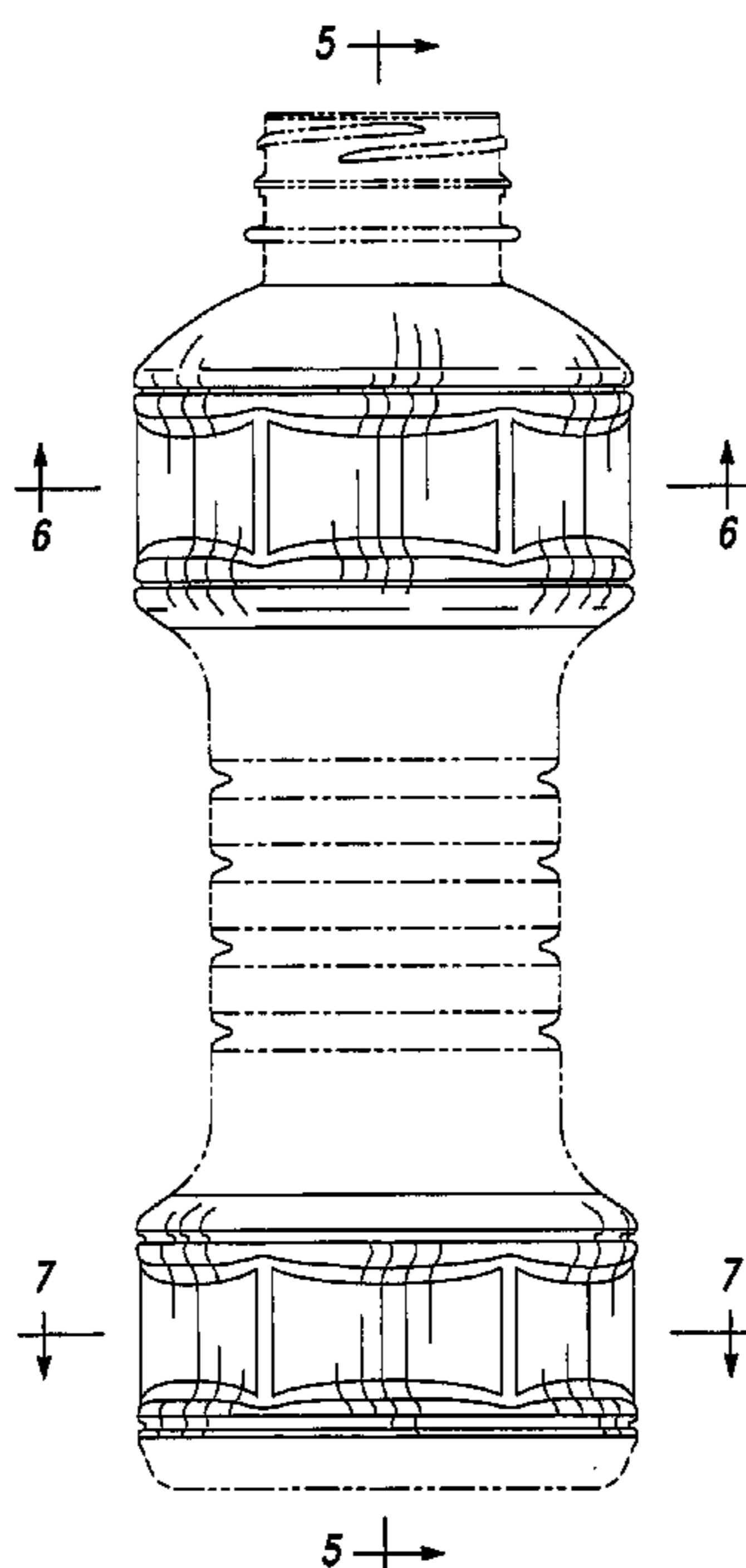
FIG. 5 is a cross-sectional view of a container taken along line 5—5 of FIG. 2;

FIG. 6 is a cross-sectional view of a container taken along line 6—6 of FIG. 2; and,

FIG. 7 is a cross-sectional view of a container taken along line 7—7 of FIG. 2.

The broken lines are for environmental purposes only and form no part of the claimed design.

**1 Claim, 6 Drawing Sheets**



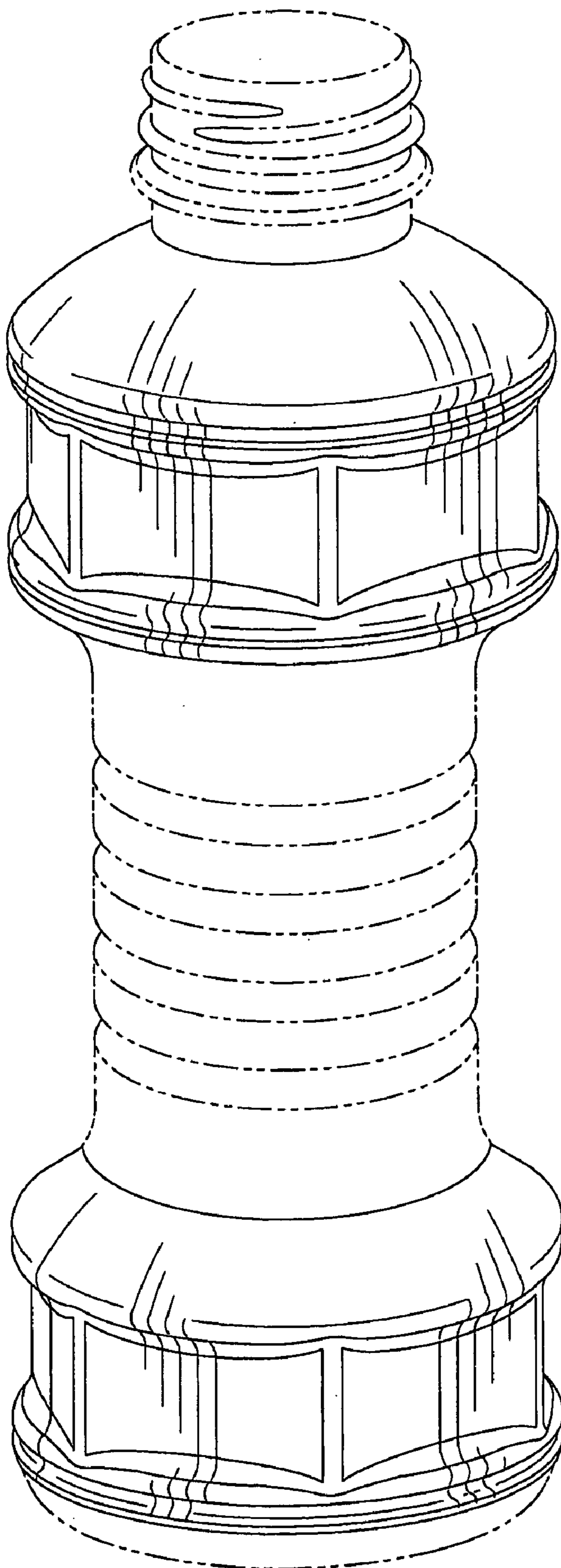


Fig-1

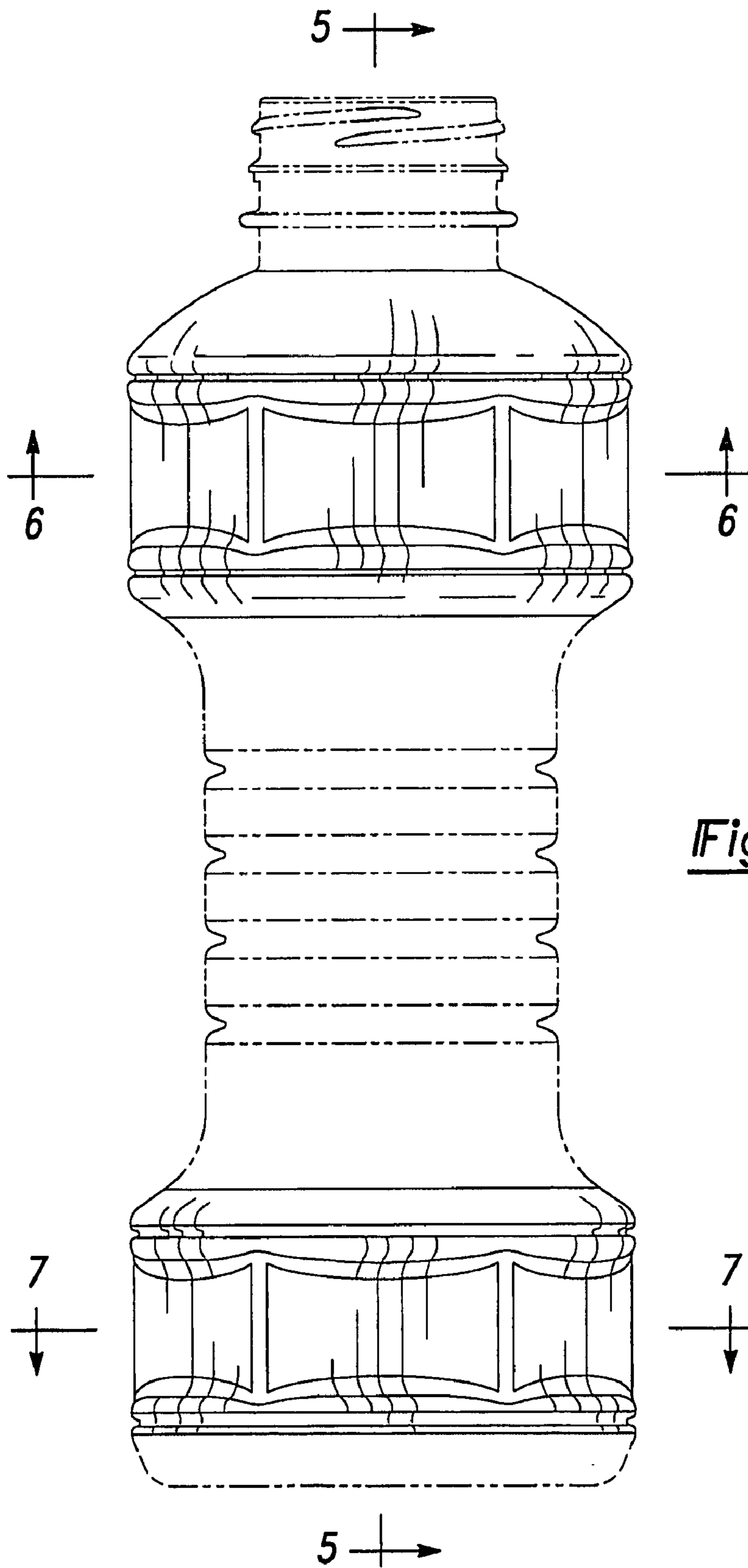


Fig-2

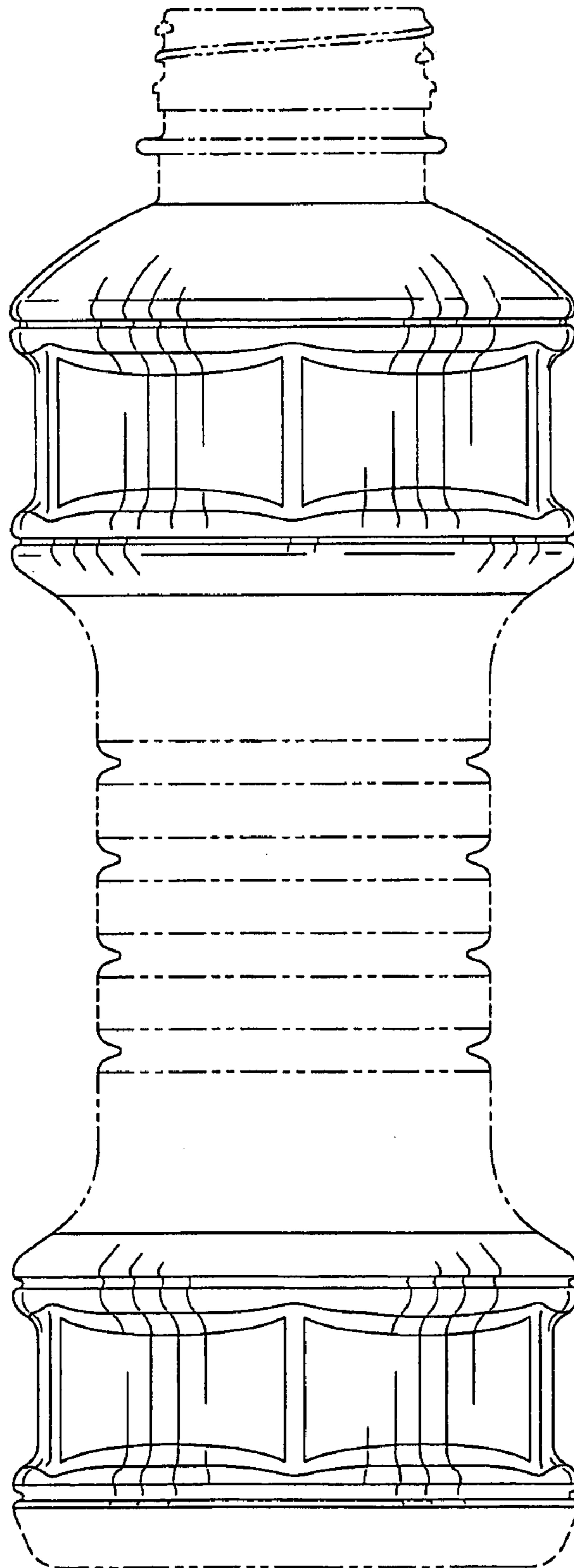


Fig-3

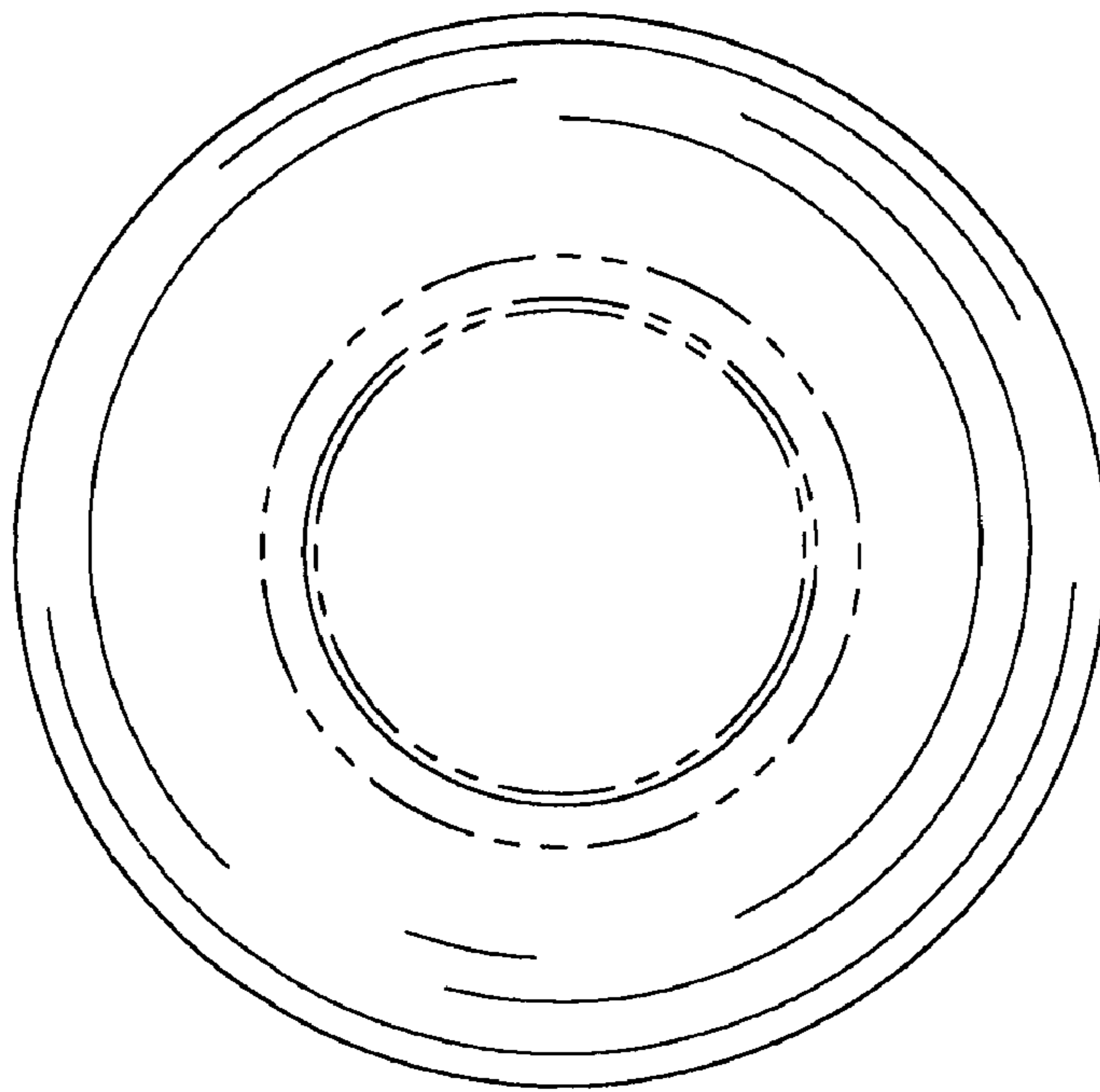


Fig-4

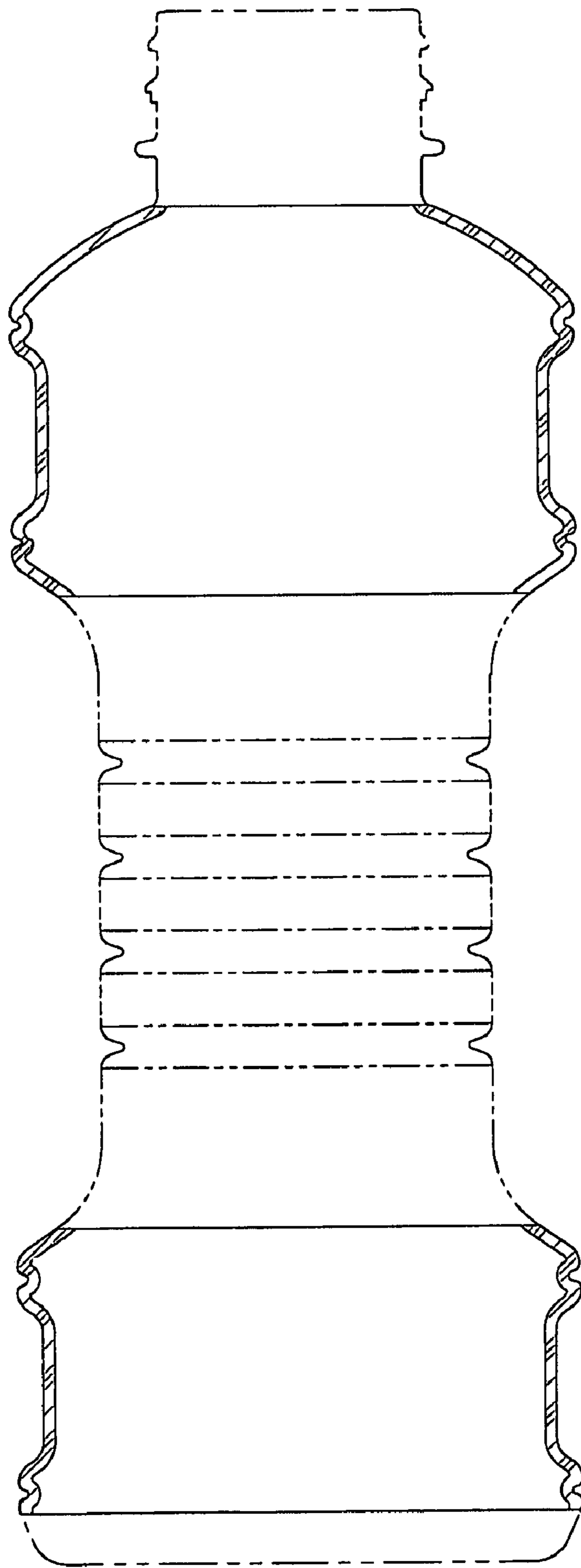


Fig-5

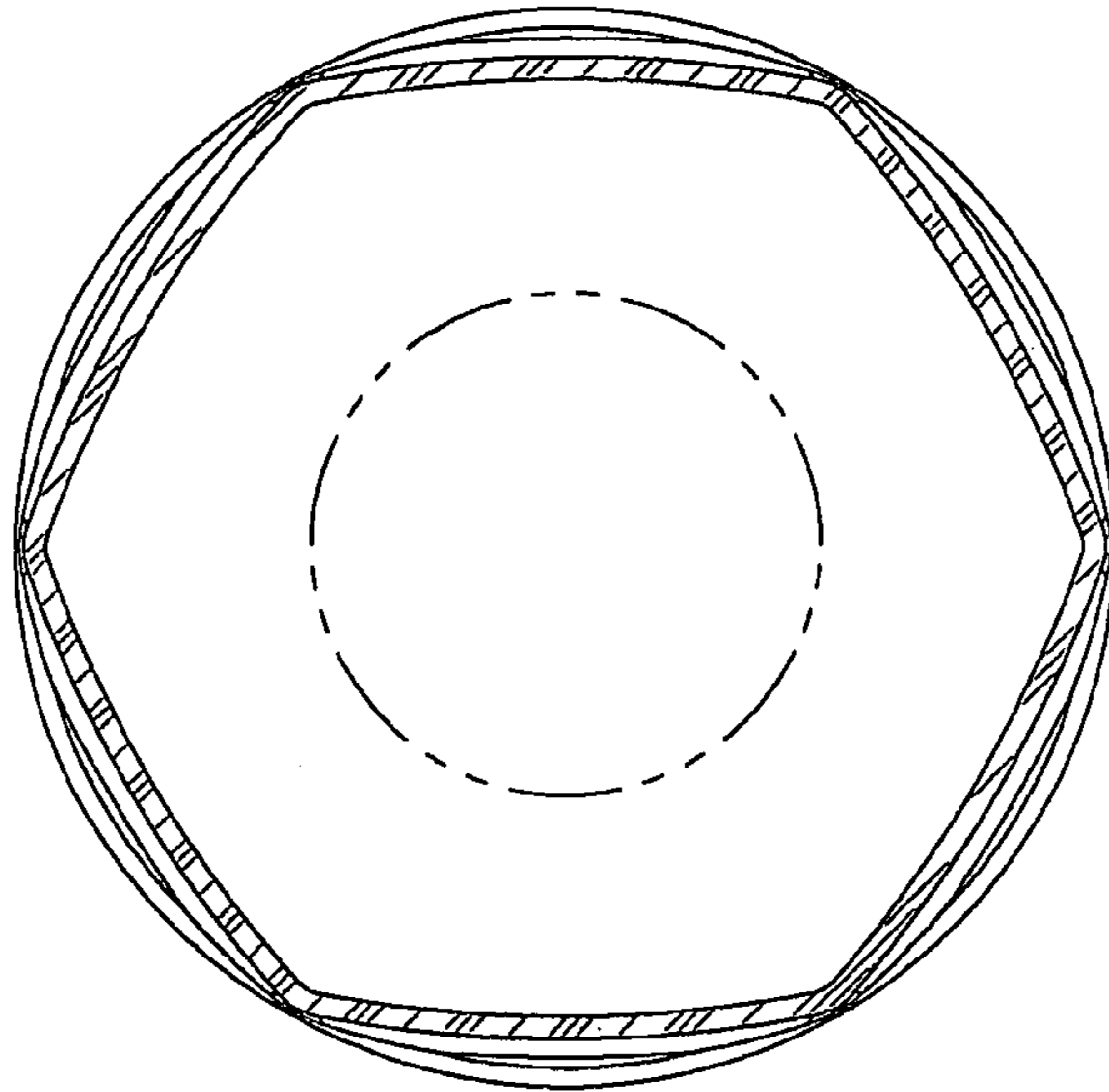


Fig-6

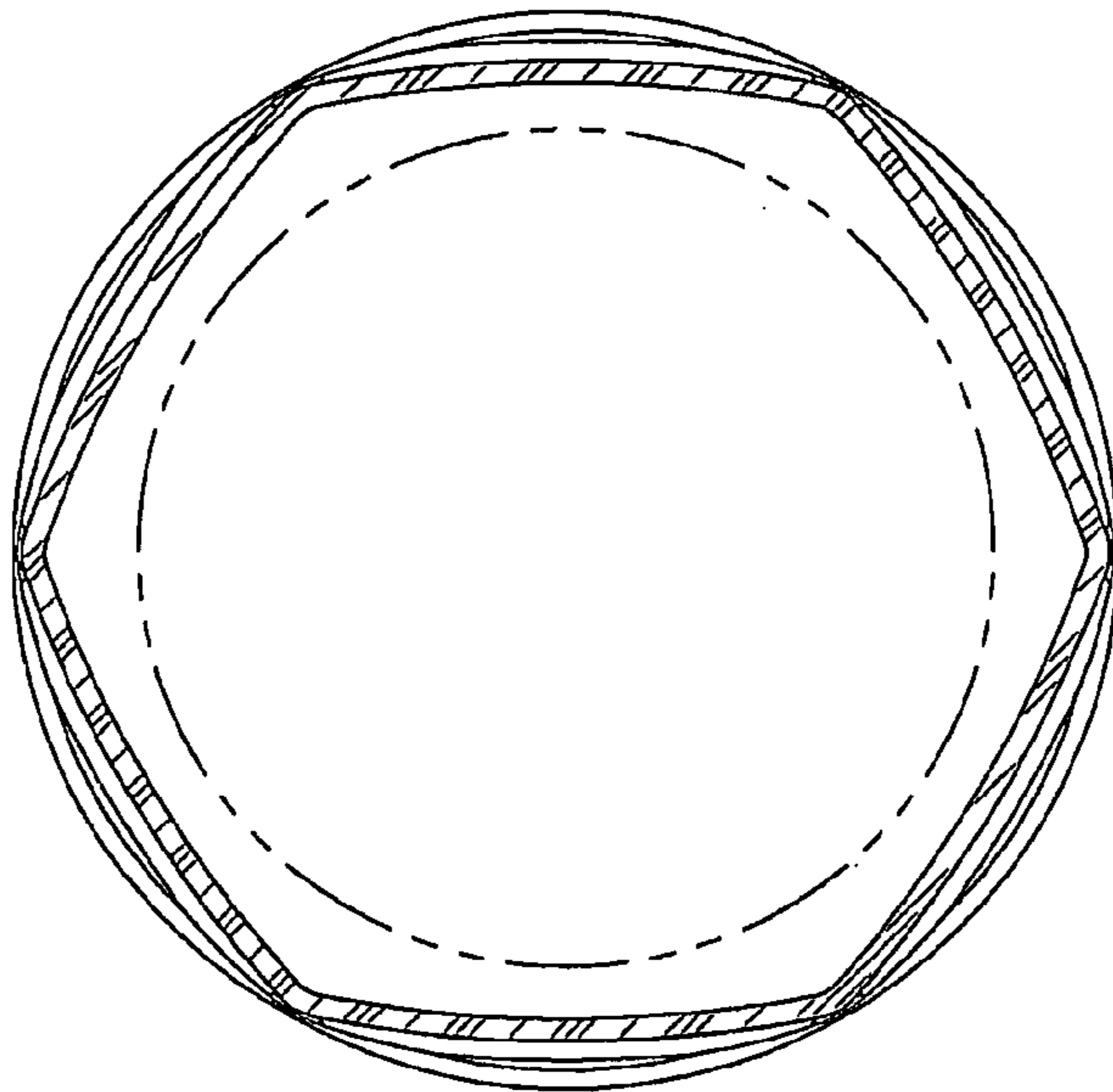


Fig-7