



US00D600121S

(12) **United States Design Patent**
Marotti et al.

(10) **Patent No.:** **US D600,121 S**
(45) **Date of Patent:** **** Sep. 15, 2009**

(54) **BOTTLE CAP**

(75) Inventors: **Martin Jay Marotti**, Carmel, IN (US);
Philip Edwin Hague, Chicago, IL (US);
Stacy Alycia Thomas, Chicago, IL (US)

(73) Assignee: **The Procter & Gamble Company**,
Cincinnati, OH (US)

(**) Term: **14 Years**

(21) Appl. No.: **29/304,707**

(22) Filed: **Mar. 6, 2008**

(51) **LOC (9) Cl.** **09-07**

(52) **U.S. Cl.** **D9/454**

(58) **Field of Classification Search** D9/499,
D9/445, 444, 439, 435, 434, 428, 600; D8/DIG. 2,
D8/402, 312, 310, 353; D7/398, 387, 395;
D24/196; D23/250; D22/116; 220/802,
220/801, 713, 712, 254.7, 521; D1/128,
D1/199; 16/421; D28/87

See application file for complete search history.

(56) **References Cited**

U.S. PATENT DOCUMENTS

3,085,709 A * 4/1963 Klein 220/521
D347,710 S * 6/1994 Yang D28/87
D376,317 S 12/1996 Weiss
D447,602 S * 9/2001 Dumler et al. D9/454

D448,994 S 10/2001 Siebert
D512,911 S 12/2005 Floyd
D517,407 S * 3/2006 Floyd et al. D9/435
D535,879 S 1/2007 Crawford
D546,684 S 7/2007 Crawford
D548,076 S * 8/2007 Matsumura et al. D9/435
D553,491 S * 10/2007 Blasko et al. D9/428

* cited by examiner

Primary Examiner—Susan Bennett Hattan

(74) *Attorney, Agent, or Firm*—Emelyn L. Hiland

(57) **CLAIM**

The ornamental design for a bottle cap, as shown and described.

DESCRIPTION

FIG. 1 is a front perspective view of a bottle cap incorporating our new design;

FIG. 2 is a front elevational view thereof;

FIG. 3 is a rear elevational view thereof;

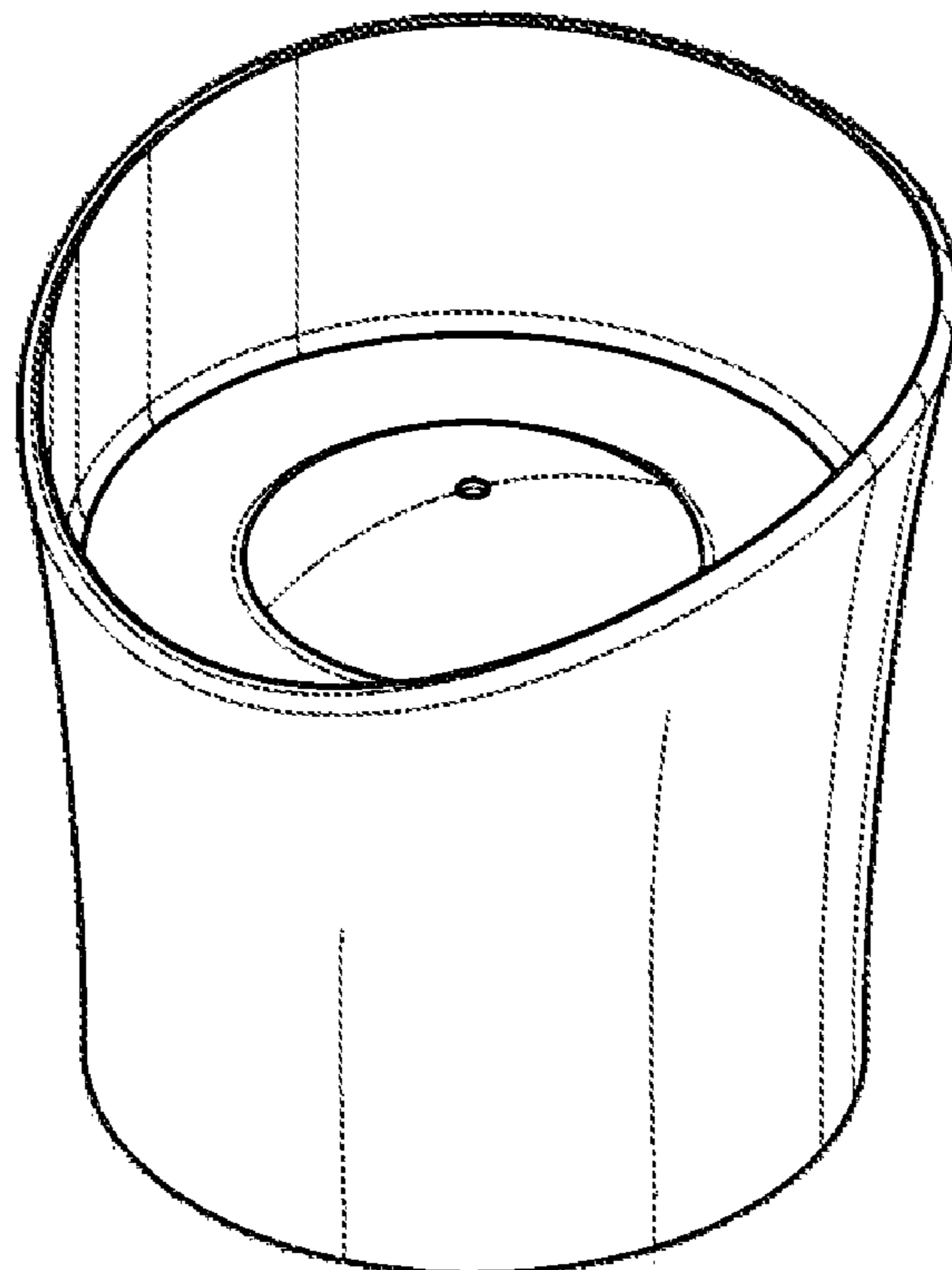
FIGS. 4 and 5 are side elevational views thereof;

FIG. 6 is a top plan view thereof; and,

FIG. 7 is a bottom view thereof.

The broken lines shown in the drawings are for illustrative purposes only and form no part of the claimed design of a bottle cap which may be transparent, translucent or opaque.

1 Claim, 4 Drawing Sheets



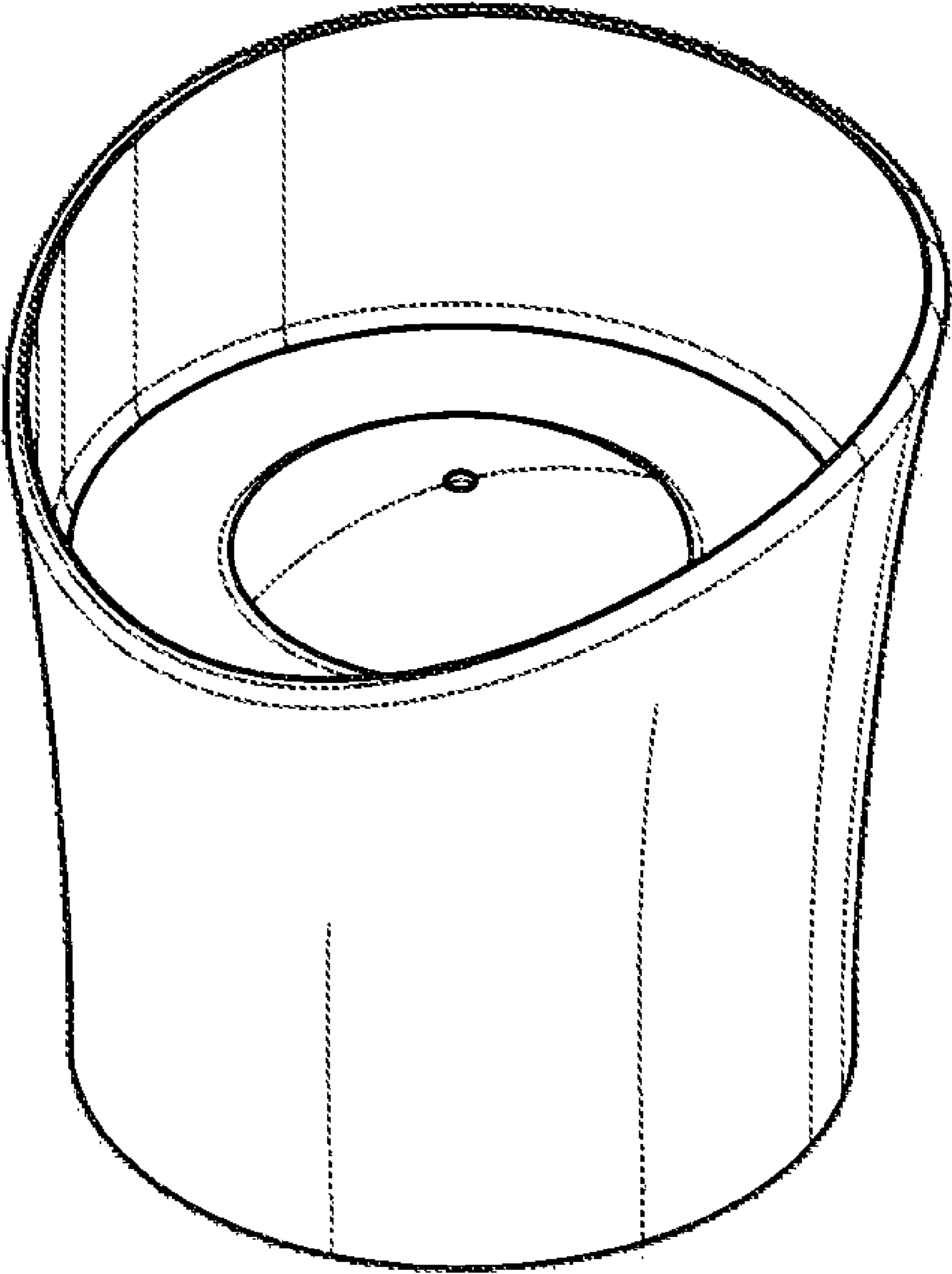


Fig. 1

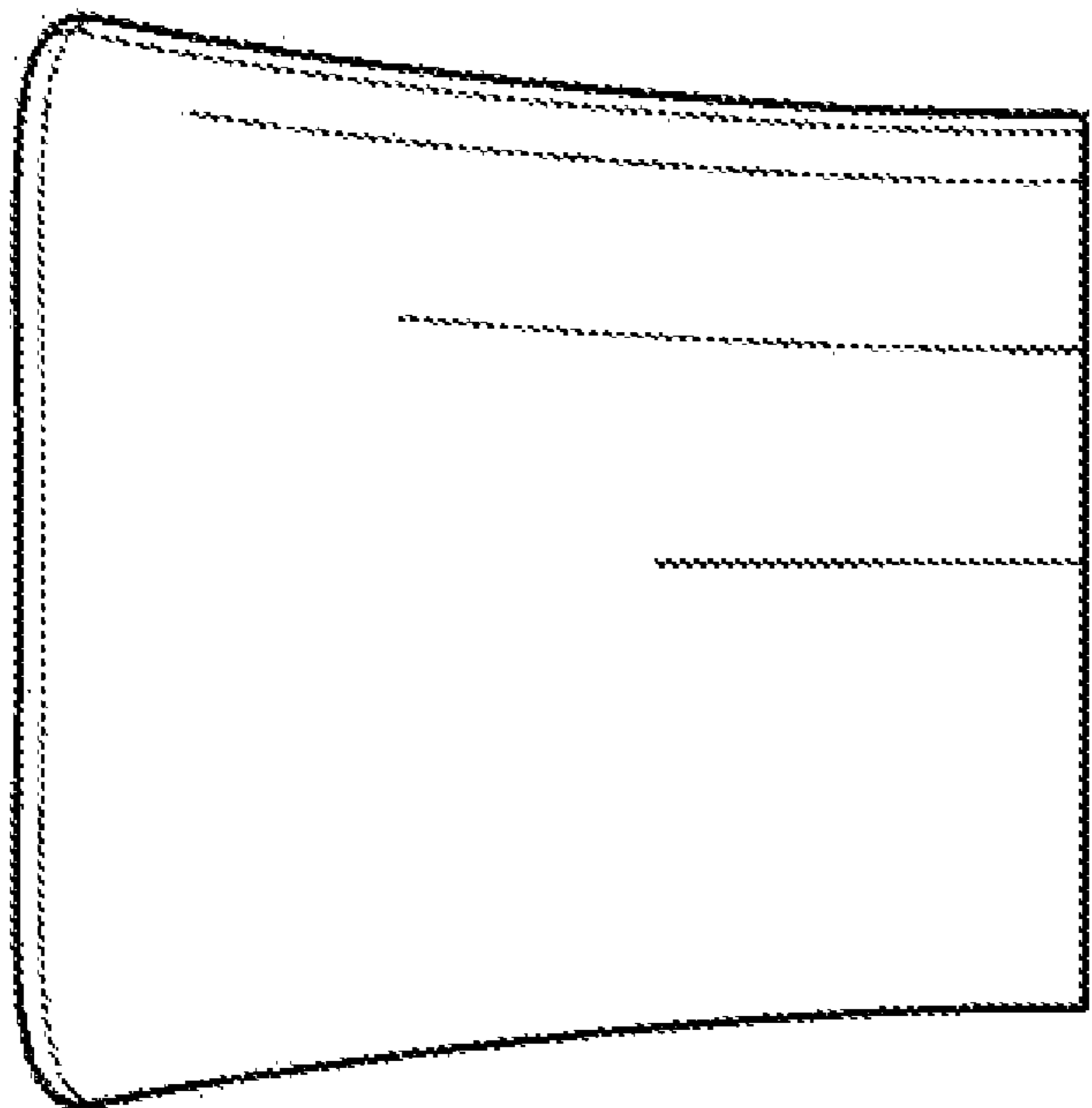


Fig. 3

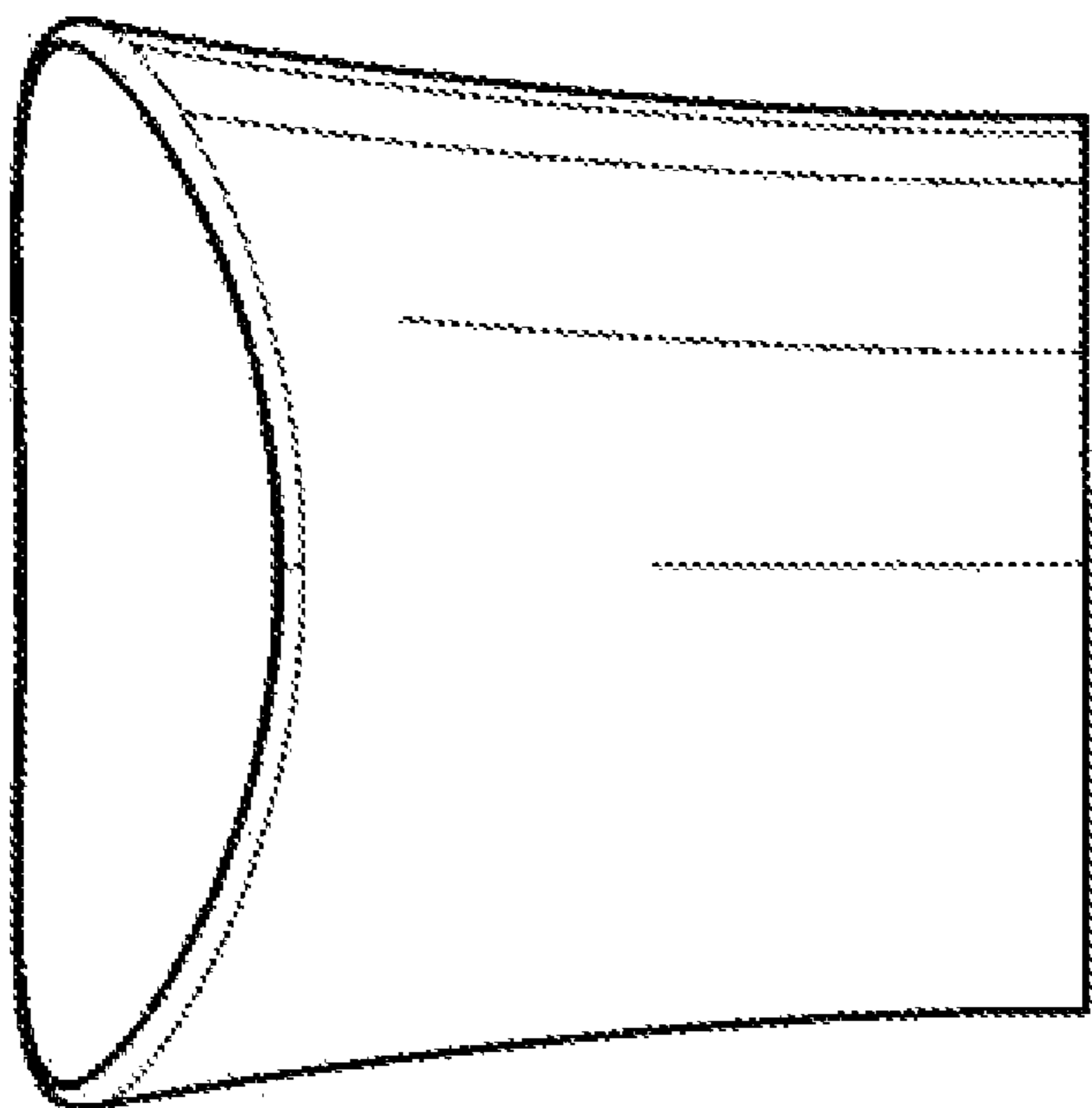


Fig. 2

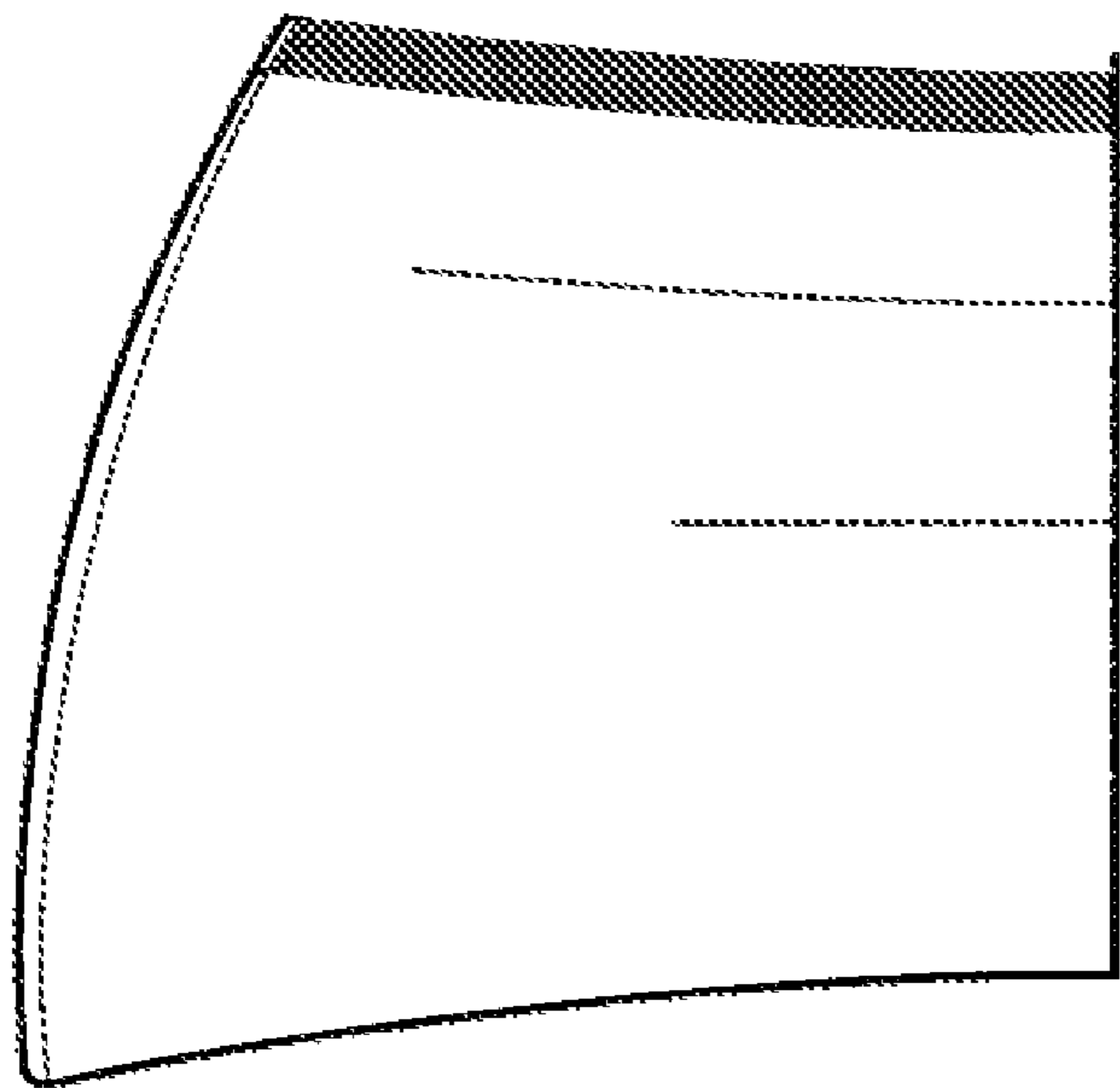


Fig. 5

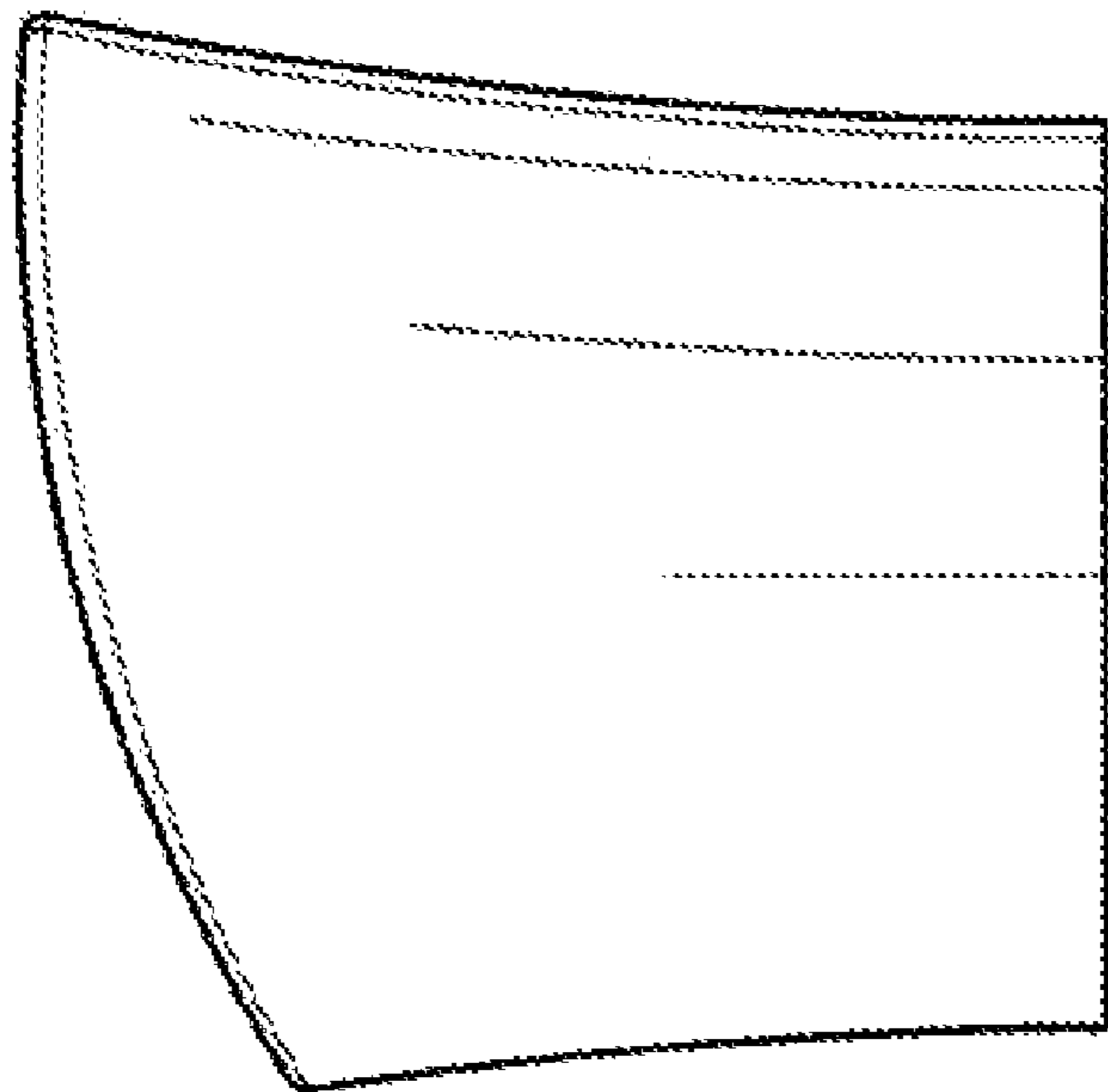


Fig. 4

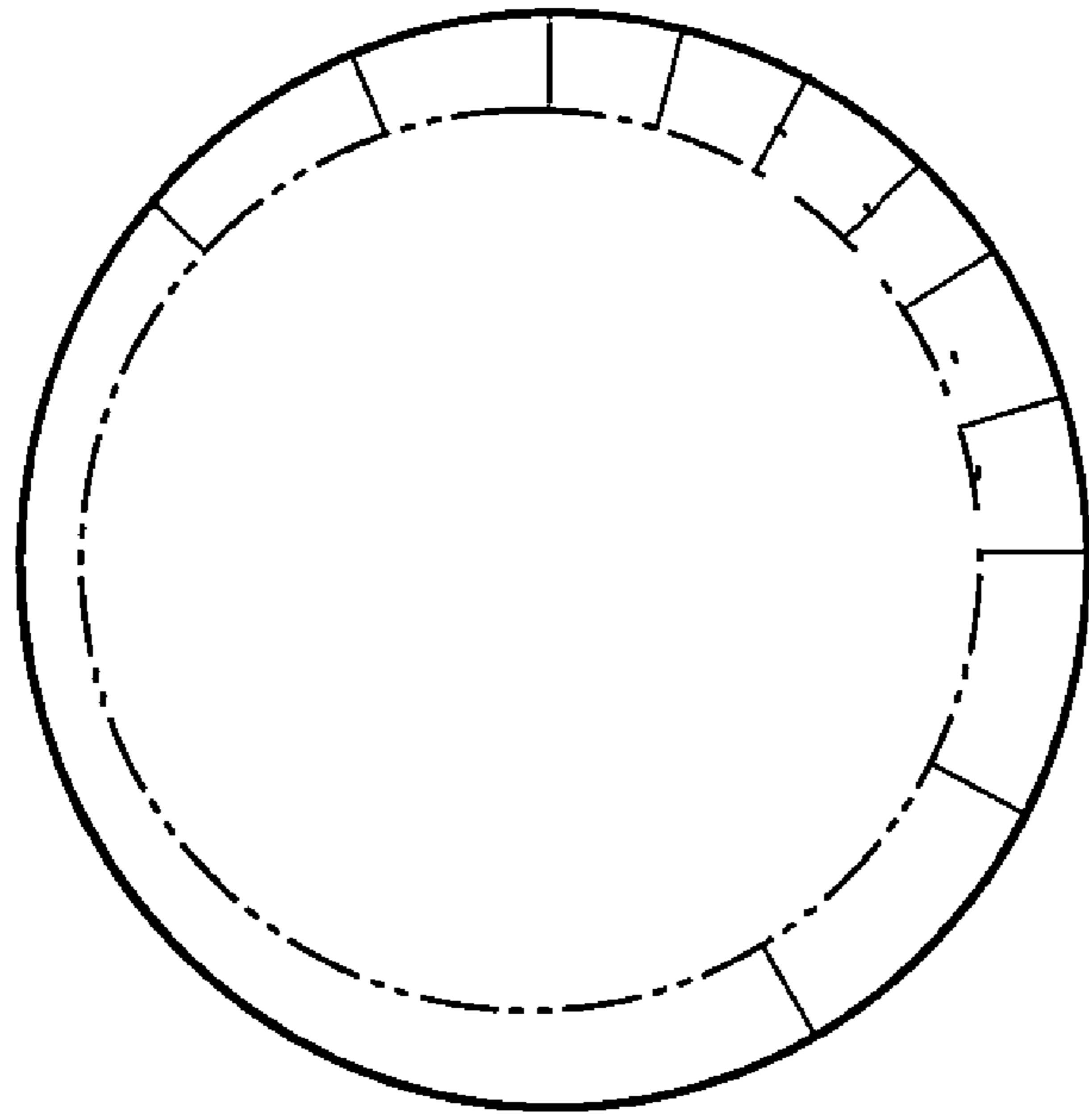


Fig. 7

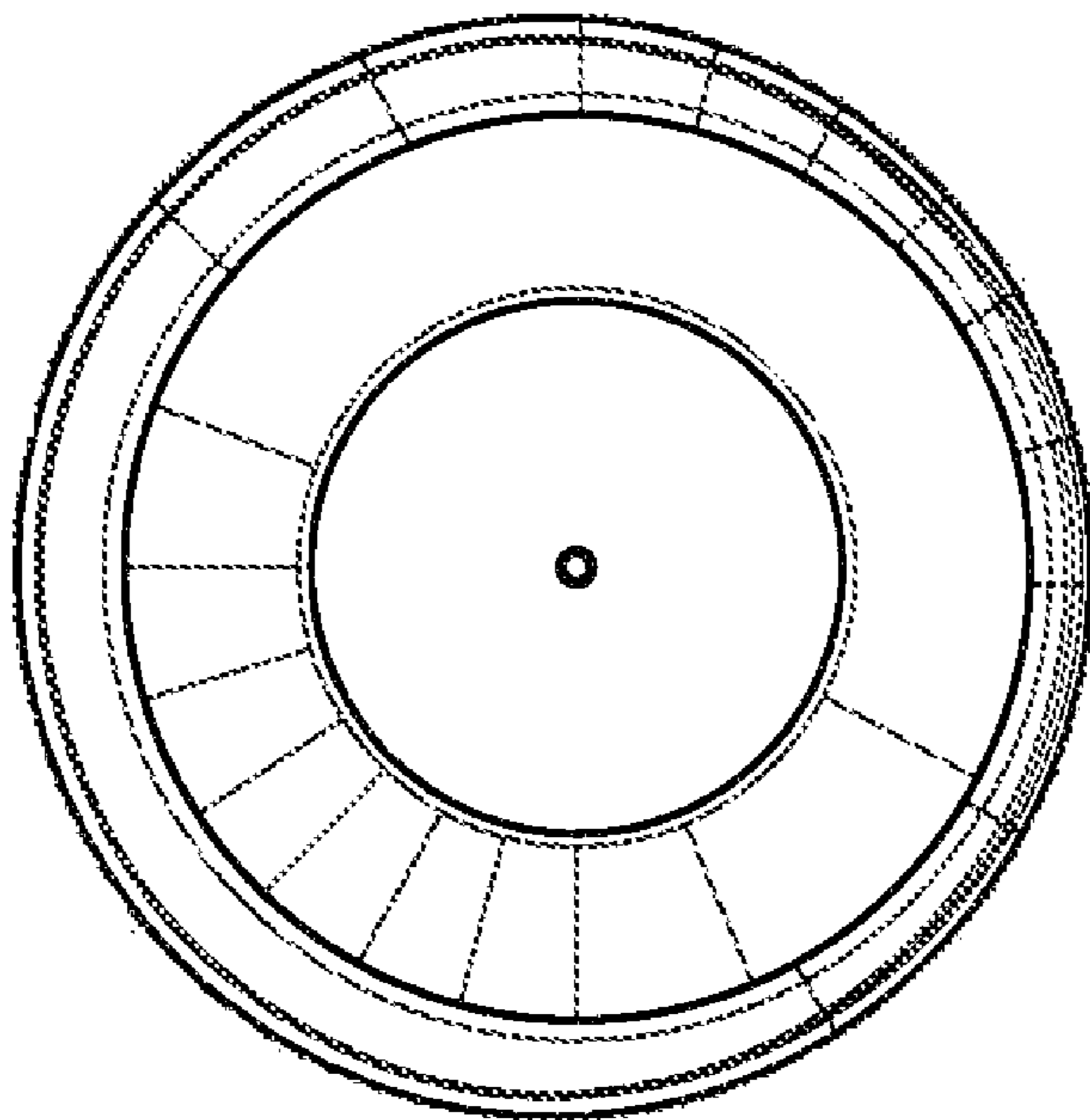


Fig. 6