



US00D600120S

(12) **United States Design Patent**  
**Kawamura**

(10) **Patent No.:** **US D600,120 S**

(45) **Date of Patent:** **\*\* Sep. 15, 2009**

(54) **CAP FOR VIAL**

(75) **Inventor:** **Hideaki Kawamura**, Sumida-ku (JP)

(73) **Assignee:** **Daikyo Seiko, Ltd.**, Tokyo (JP)

(\*\*) **Term:** **14 Years**

(21) **Appl. No.:** **29/307,811**

(22) **Filed:** **May 14, 2008**

(30) **Foreign Application Priority Data**

Nov. 22, 2007 (JP) ..... 2007-032224

(51) **LOC (9) Cl.** ..... **09-07**

(52) **U.S. Cl.** ..... **D9/452**

(58) **Field of Classification Search** ..... D9/902,  
D9/763, 516, 453, 447, 438, 435, 440; D7/510,  
D7/396.2; D28/7; D24/224, 130, 112; D23/206;  
D10/101; 604/228; 222/82, 566, 539, 529,  
222/526, 521, 478, 321.6, 153.13, 158; 221/63,  
221/45; 220/716, 270; 215/257; 206/219  
See application file for complete search history.

(56) **References Cited**

**U.S. PATENT DOCUMENTS**

D294,458 S *	3/1988	Wilmott et al.	.....	D9/434
D420,744 S *	2/2000	Ostgaard et al.	.....	D24/224
D471,667 S *	3/2003	Angeletta	.....	D28/7
D472,143 S *	3/2003	Martin et al.	.....	D9/434
D584,407 S *	1/2009	Kawamura	.....	D24/130
D586,472 S *	2/2009	Harold et al.	.....	D24/224

2004/0154937 A1 *	8/2004	Cho	.....	206/219
2004/0200741 A1 *	10/2004	Cho	.....	206/219
2009/0131878 A1 *	5/2009	Kawamura et al.	.....	604/228

\* cited by examiner

*Primary Examiner*—Susan Bennett Hattan

(74) *Attorney, Agent, or Firm*—Chapman and Cutler LLP

(57) **CLAIM**

The ornamental design for a cap for vial, as shown and described.

**DESCRIPTION**

FIG. 1 is a top perspective view of the cap for vial of the present invention;

FIG. 2 is a bottom perspective view thereof;

FIG. 3 is a front elevational view thereof;

FIG. 4 is a rear elevational view thereof;

FIG. 5 is a right side elevational view thereof;

FIG. 6 is a left side elevational view thereof;

FIG. 7 is a top plan view thereof;

FIG. 8 is a bottom plan view thereof;

FIG. 9 is a cross-sectional view taken along line 9-9 in FIG. 7; and,

FIG. 10 is a top perspective view thereof.

The broken lines are for illustrative purposes only and form no part of the claimed design.

**1 Claim, 10 Drawing Sheets**

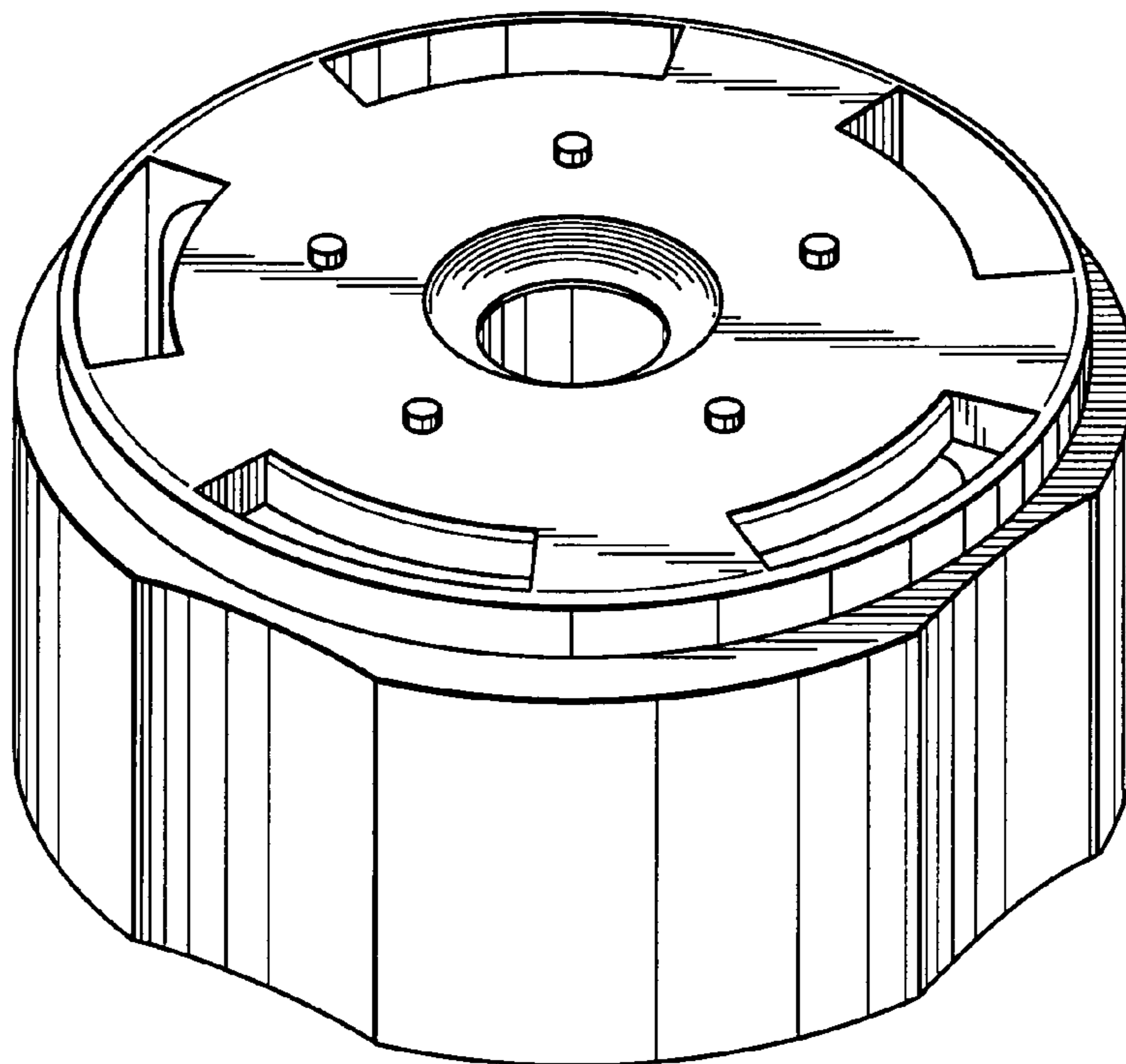
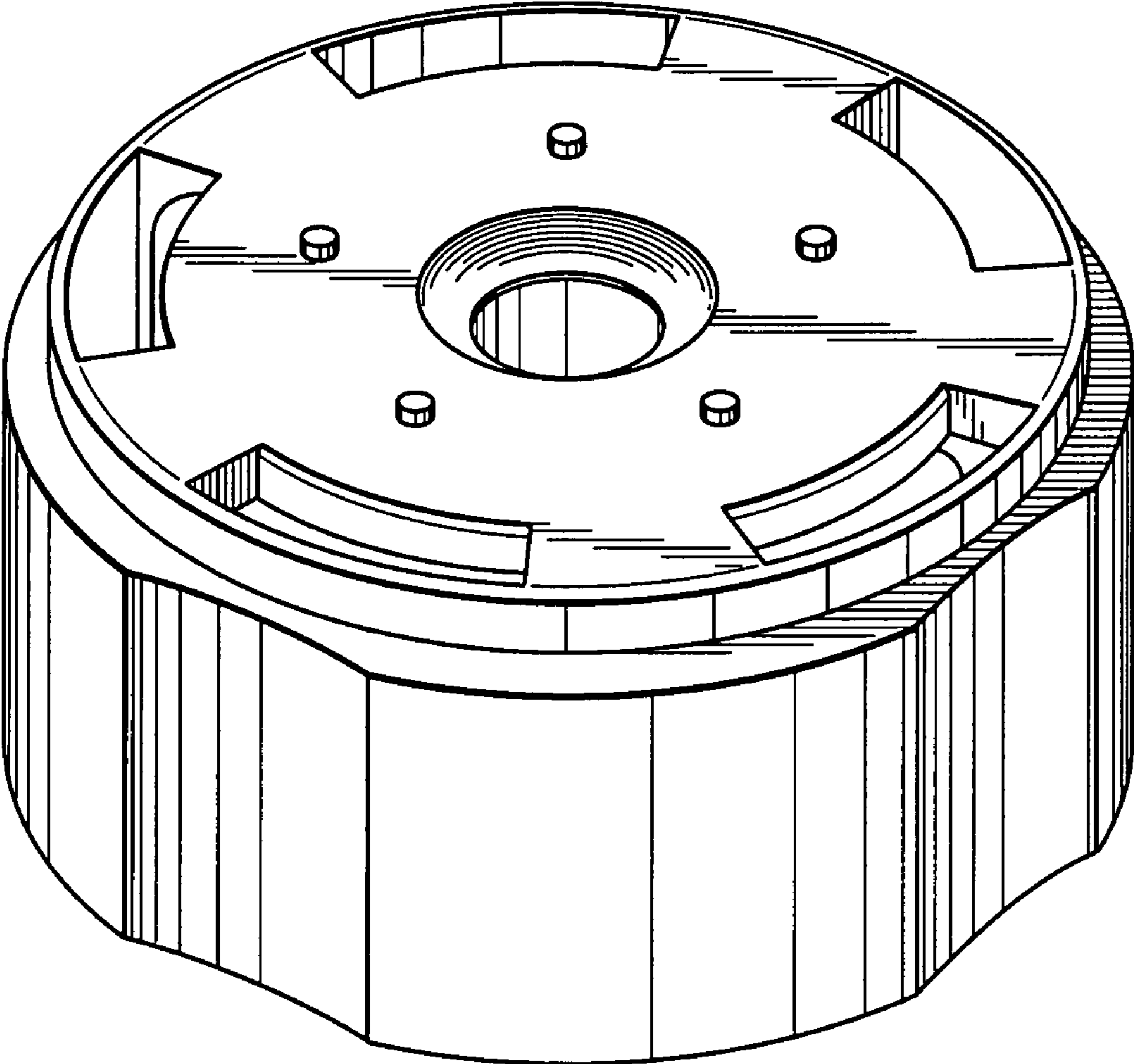
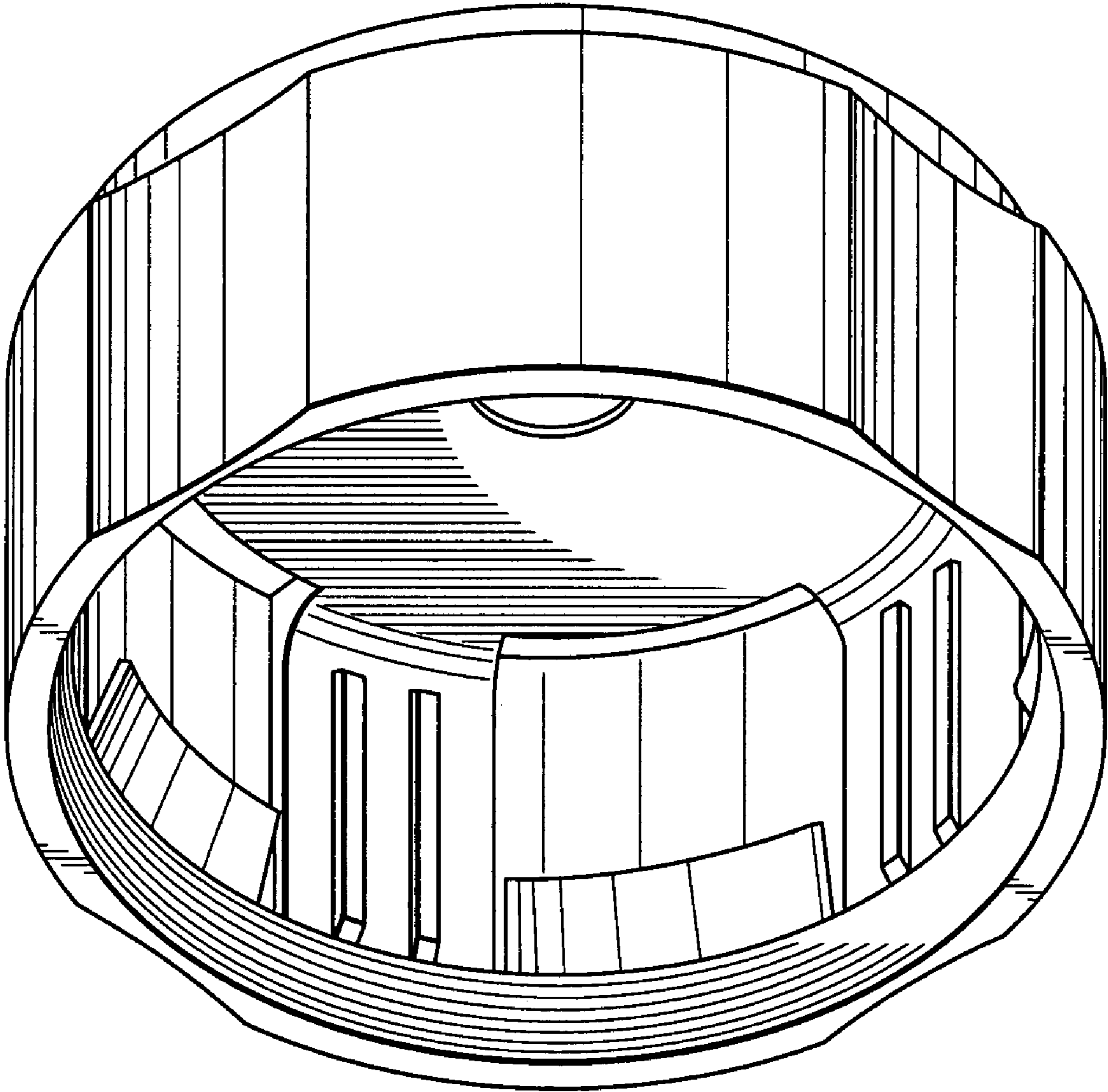


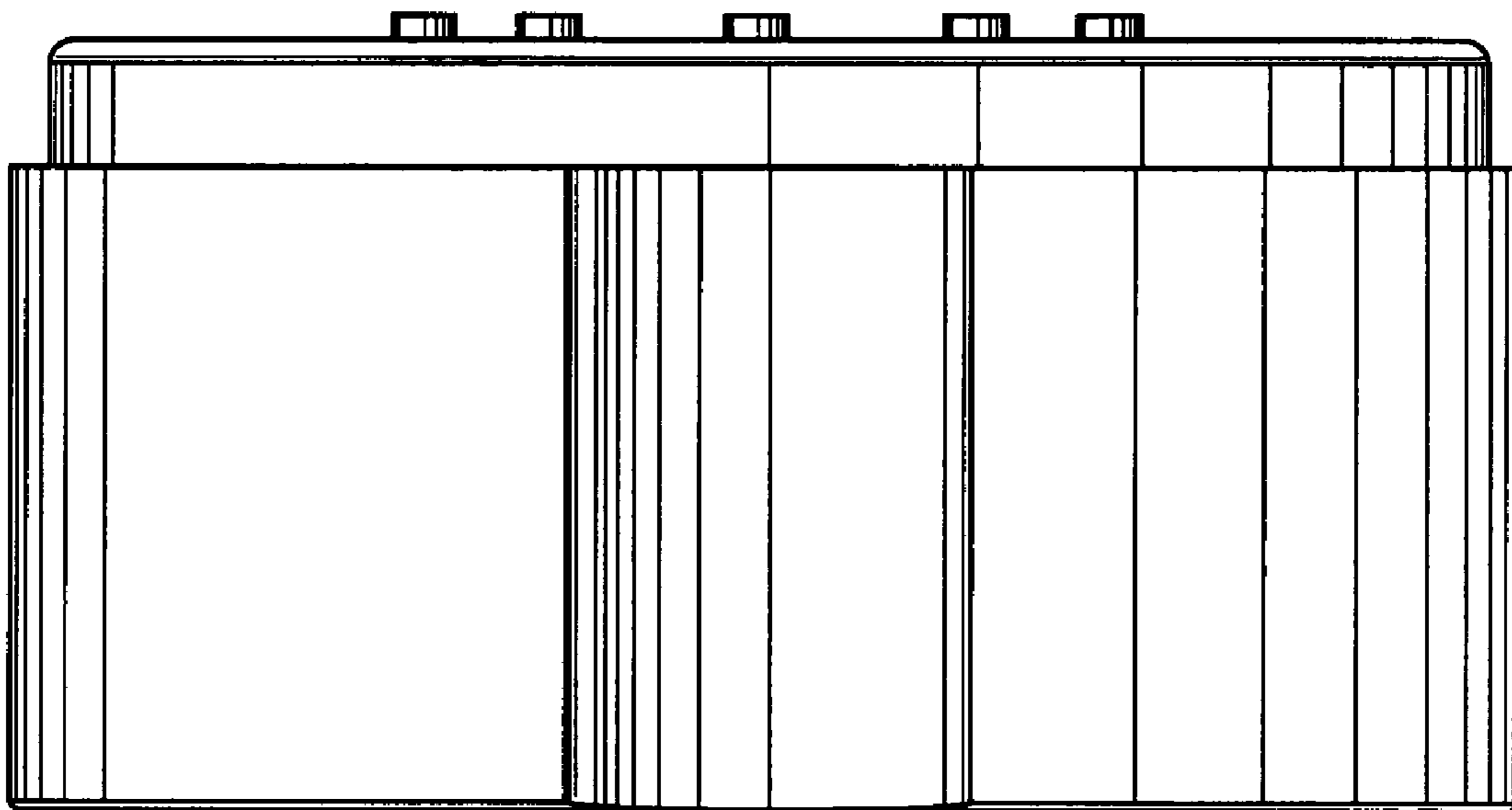
Fig. 1



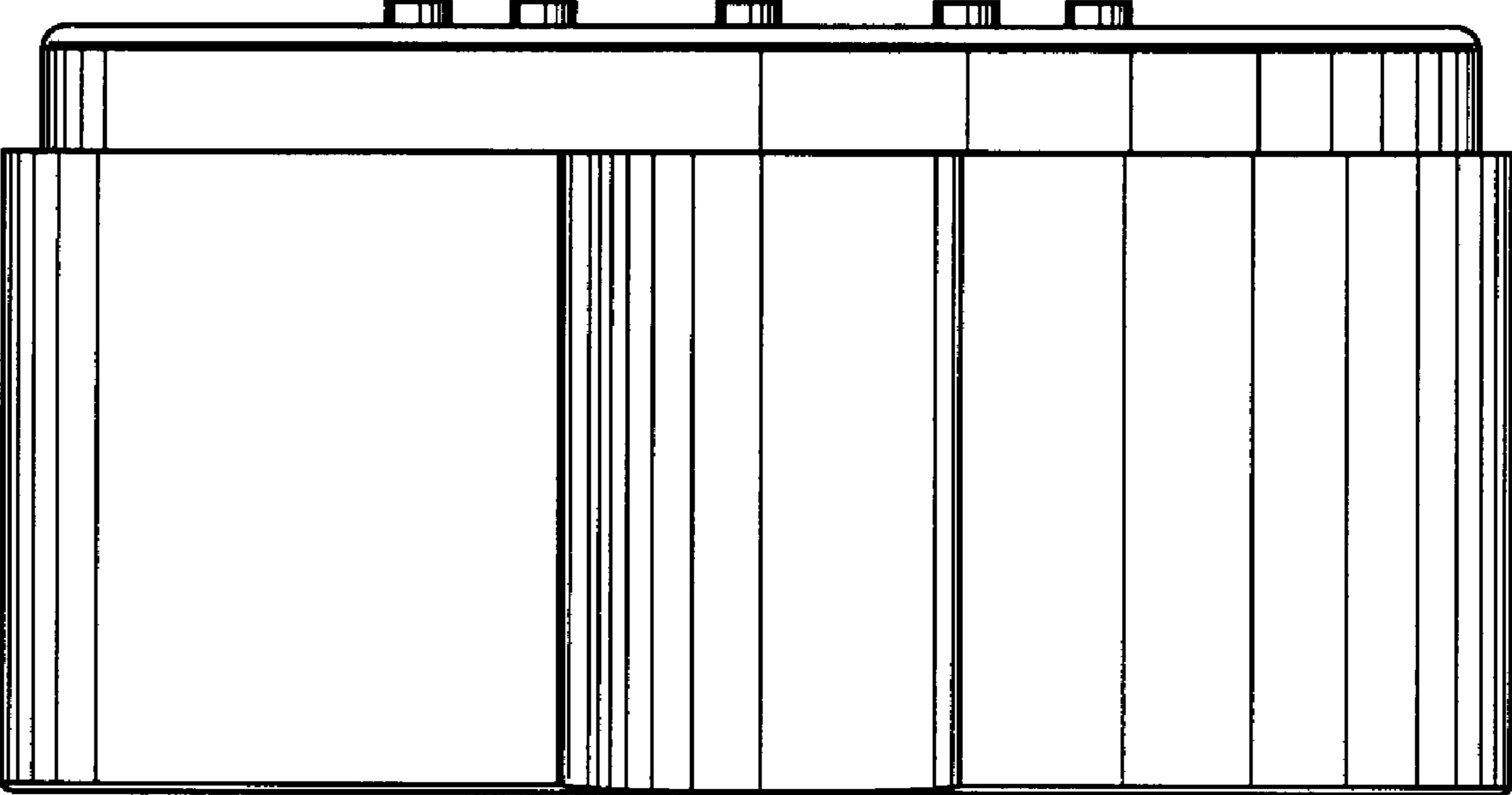
**Fig. 2**



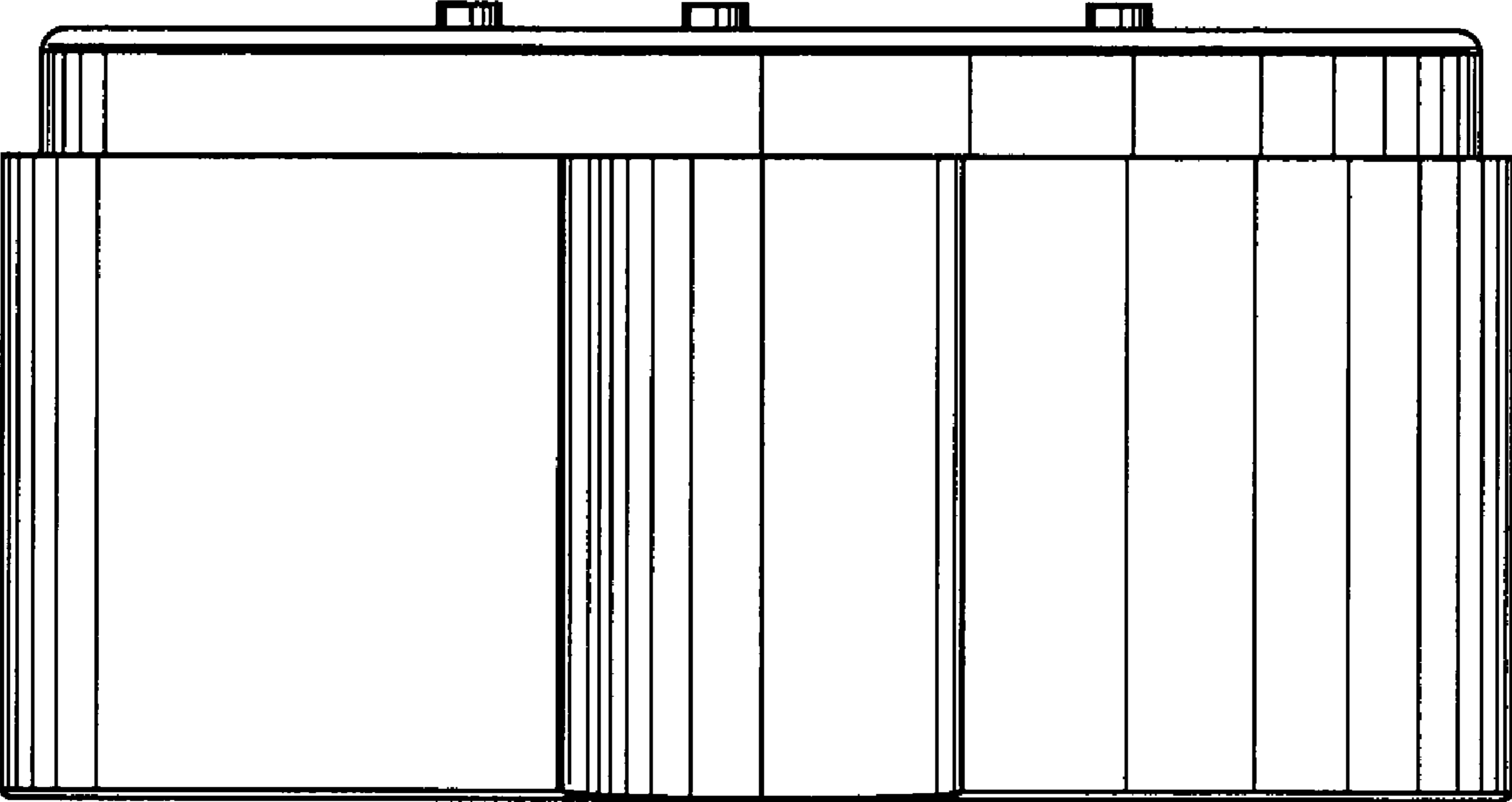
**Fig. 3**



**Fig. 4**



**Fig. 5**



**Fig. 6**

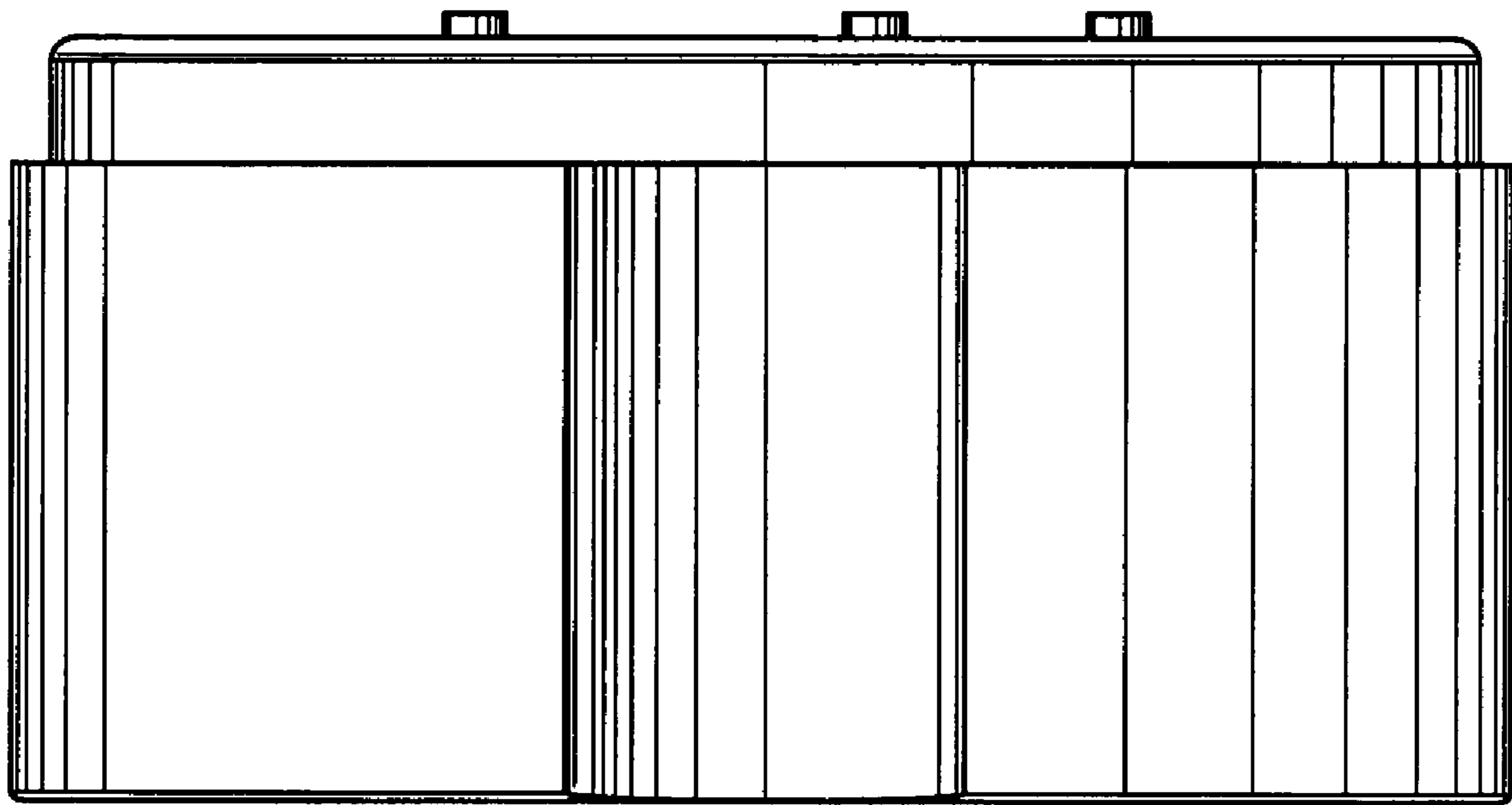
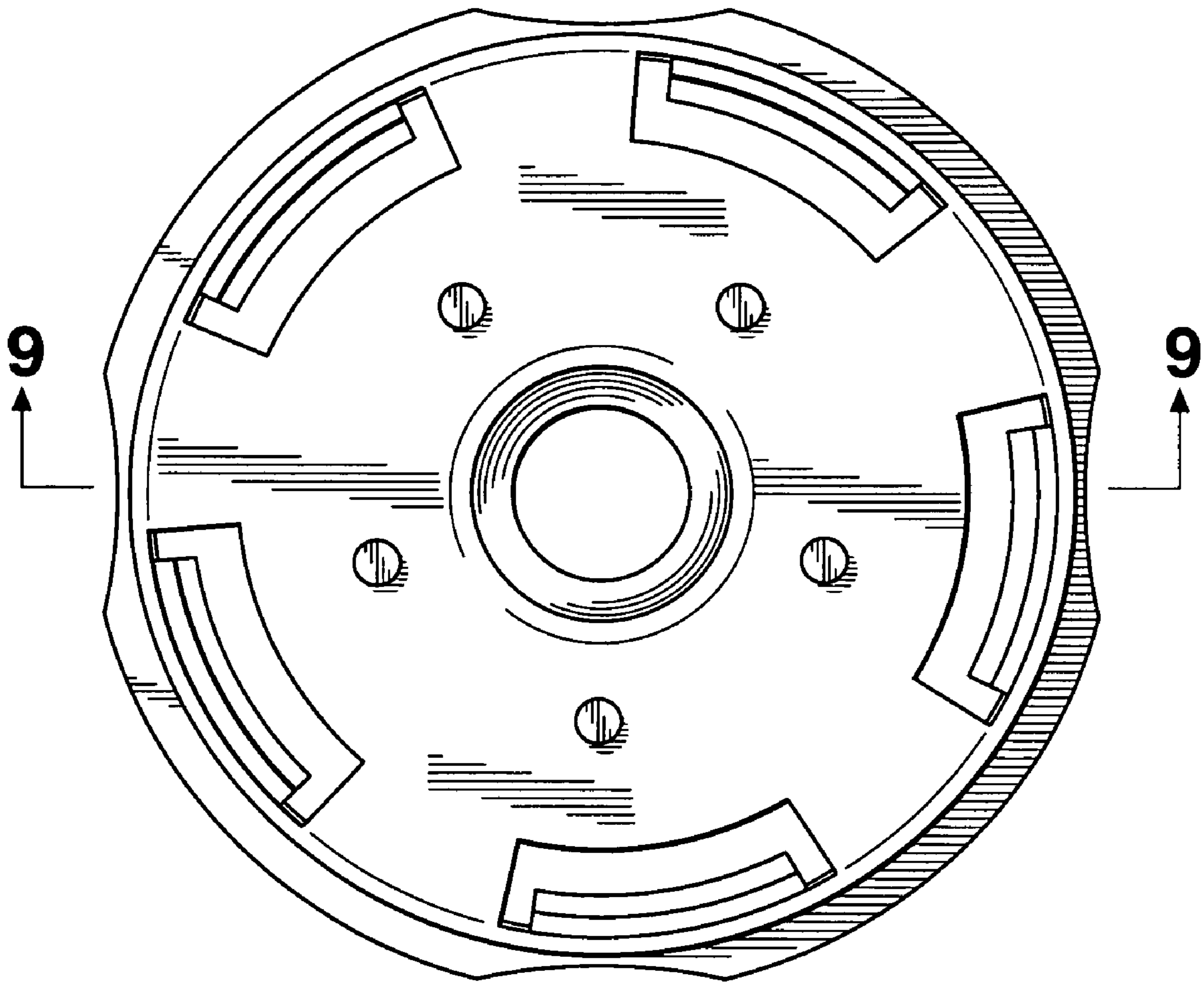
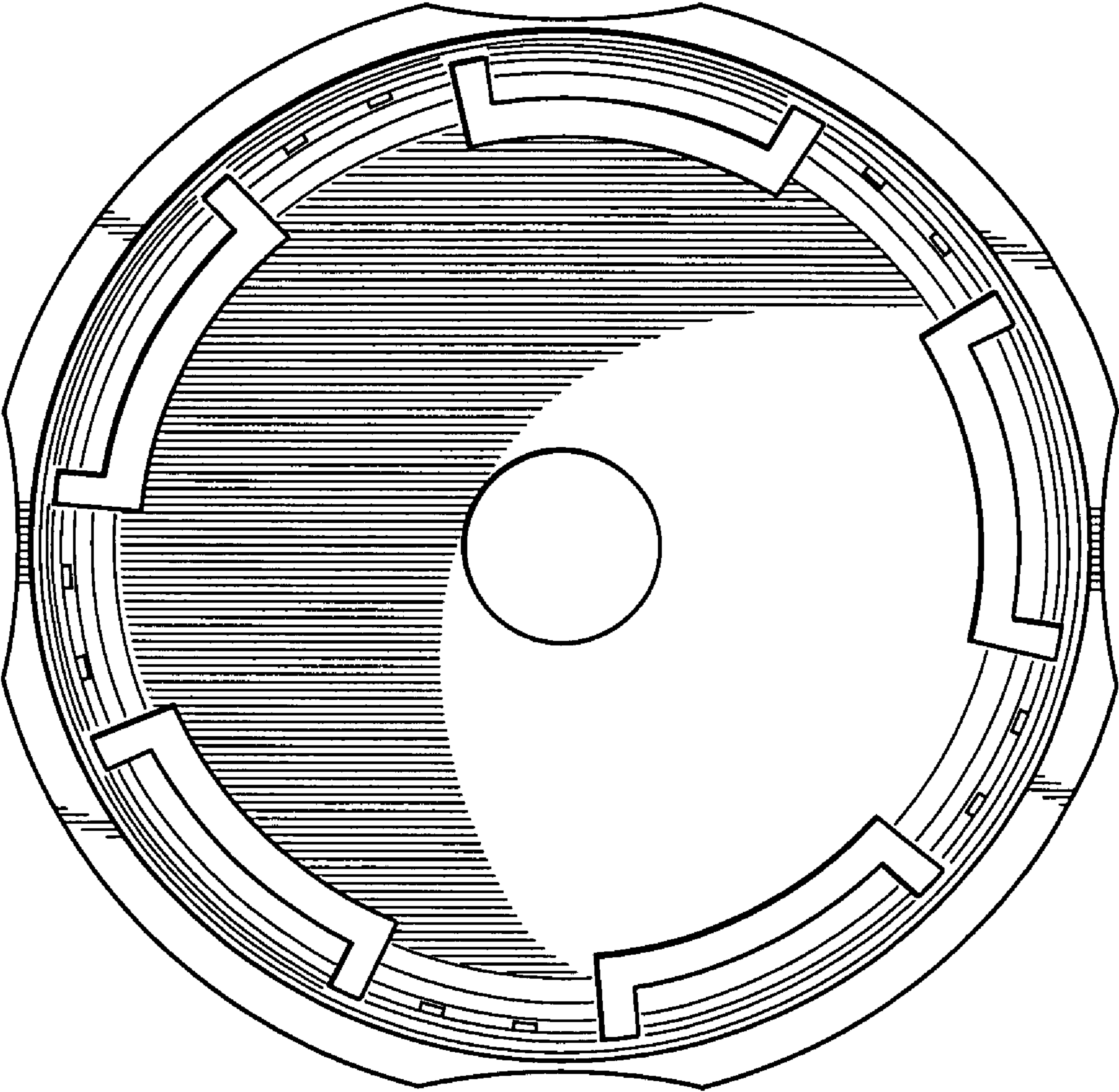


Fig. 7

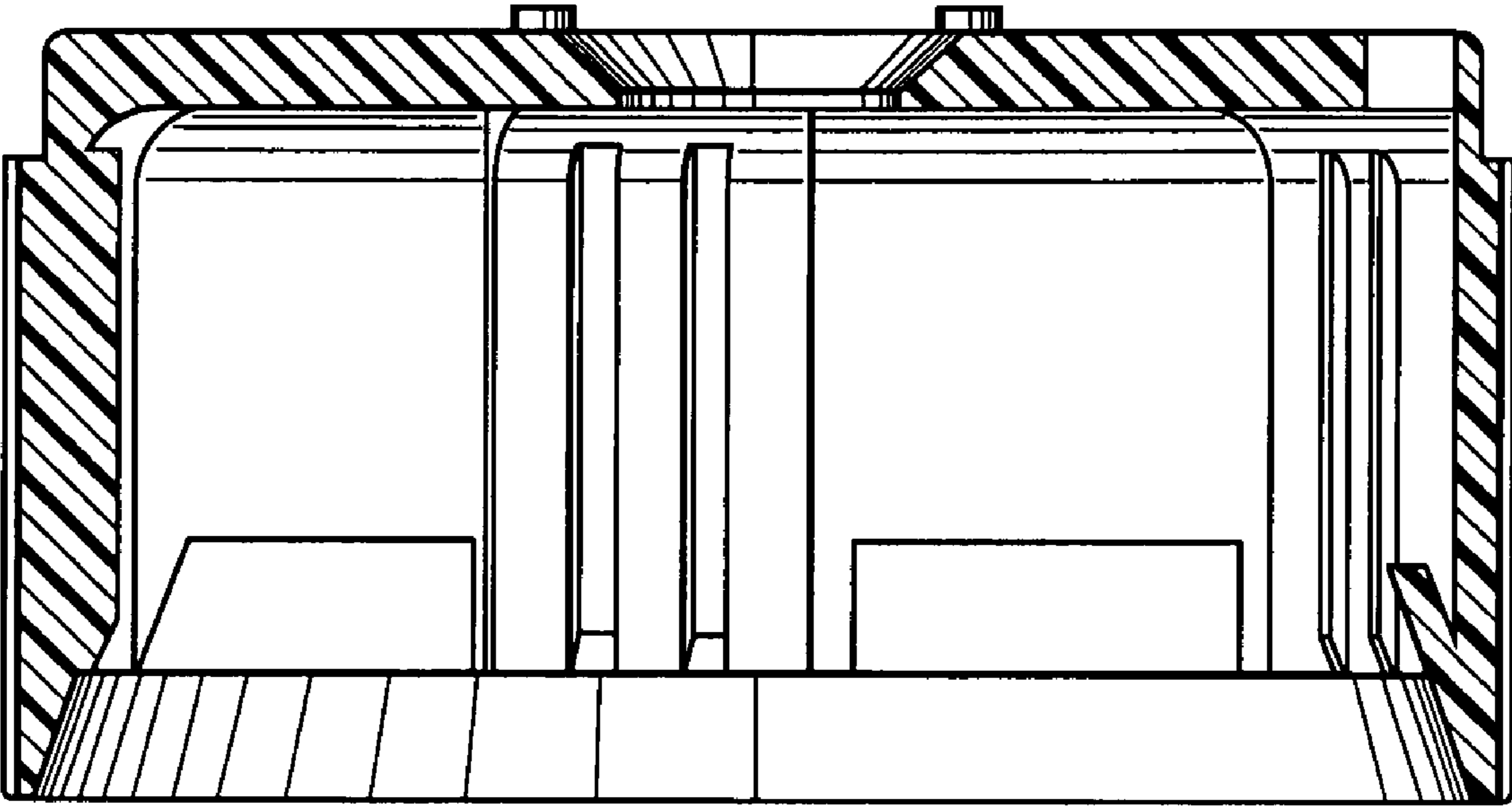




**Fig. 8**



**Fig. 9**



**Fig. 10**

