



US00D600116S

(12) **United States Design Patent**
Cherian

(10) **Patent No.:** **US D600,116 S**

(45) **Date of Patent:** **** Sep. 15, 2009**

(54) **LID WITH PULL TAB**

(57) **CLAIM**

(76) **Inventor:** **Gabe Cherian**, P.O. Box 1335, Sun Valley, ID (US) 83353

The ornamental design for a lid with pull tab, as shown and described.

(**) **Term:** **14 Years**

(21) **Appl. No.:** **29/291,638**

(22) **Filed:** **Sep. 6, 2007**

DESCRIPTION

Related U.S. Application Data

(63) Continuation of application No. 10/941,797, filed on Sep. 14, 2004.

(60) Provisional application No. 60/503,823, filed on Sep. 19, 2003.

(51) **LOC (9) Cl.** **09-07**

(52) **U.S. Cl.** **D9/438**

(58) **Field of Classification Search** D9/780,
D9/763, 438, 434, 435; 220/906, 273, 269
See application file for complete search history.

(56) **References Cited**

U.S. PATENT DOCUMENTS

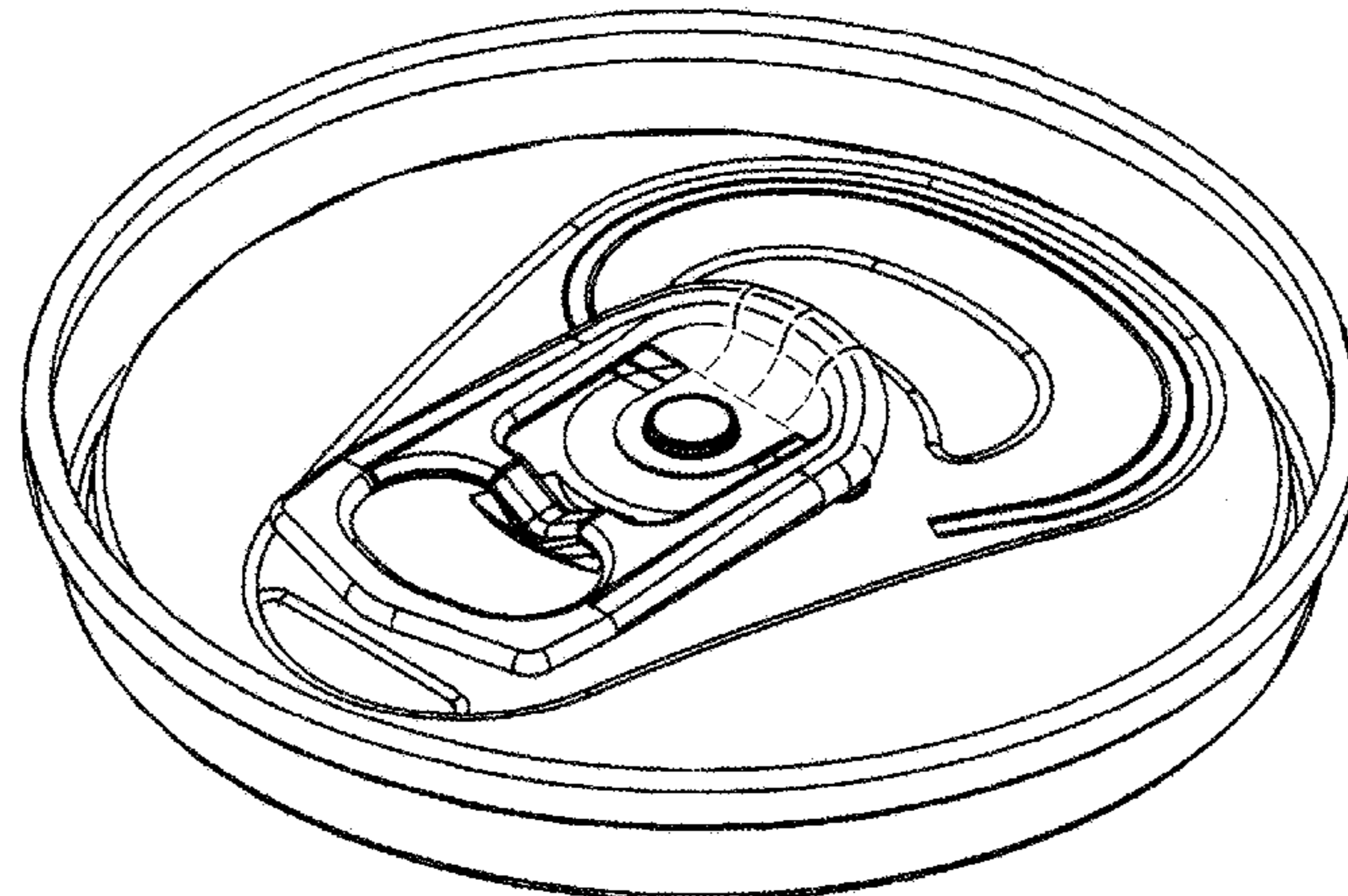
D296,989	S *	8/1988	Juty	D9/438
D382,481	S *	8/1997	McEldowney	D9/438
D385,192	S *	10/1997	Hurst et al.	D9/438
D396,635	S *	8/1998	McEldowney	D9/438
D397,296	S *	8/1998	McEldowney et al.	D9/438
D402,887	S *	12/1998	Hurst	D9/438
D411,107	S *	6/1999	Turner et al.	D9/438
D415,026	S *	10/1999	Turner et al.	D9/438
D415,425	S *	10/1999	Turner et al.	D9/438
D424,438	S *	5/2000	Turner et al.	D9/438
D448,666	S *	10/2001	Fields	D9/438
6,889,861	B2 *	5/2005	Arcati et al.	220/269
7,000,797	B2 *	2/2006	Forrest et al.	220/269
7,168,586	B2 *	1/2007	Jeon	220/269
7,198,168	B2 *	4/2007	Mizuma	220/269

(Continued)

Primary Examiner—Gary D. Watson

Assistant Examiner—Susan B Hattan

1 Claim, 6 Drawing Sheets



US D600,116 S

Page 2

U.S. PATENT DOCUMENTS

2002/0113069	A1*	8/2002	Forrest et al.	220/269	2006/0060582	A1*	3/2006	Martinez Gomez	220/269
2005/0098561	A1*	5/2005	Schwoebel	220/906	2007/0029324	A1*	2/2007	Watson et al.	220/269
2005/0115969	A1*	6/2005	Mizuma	220/269					

* cited by examiner

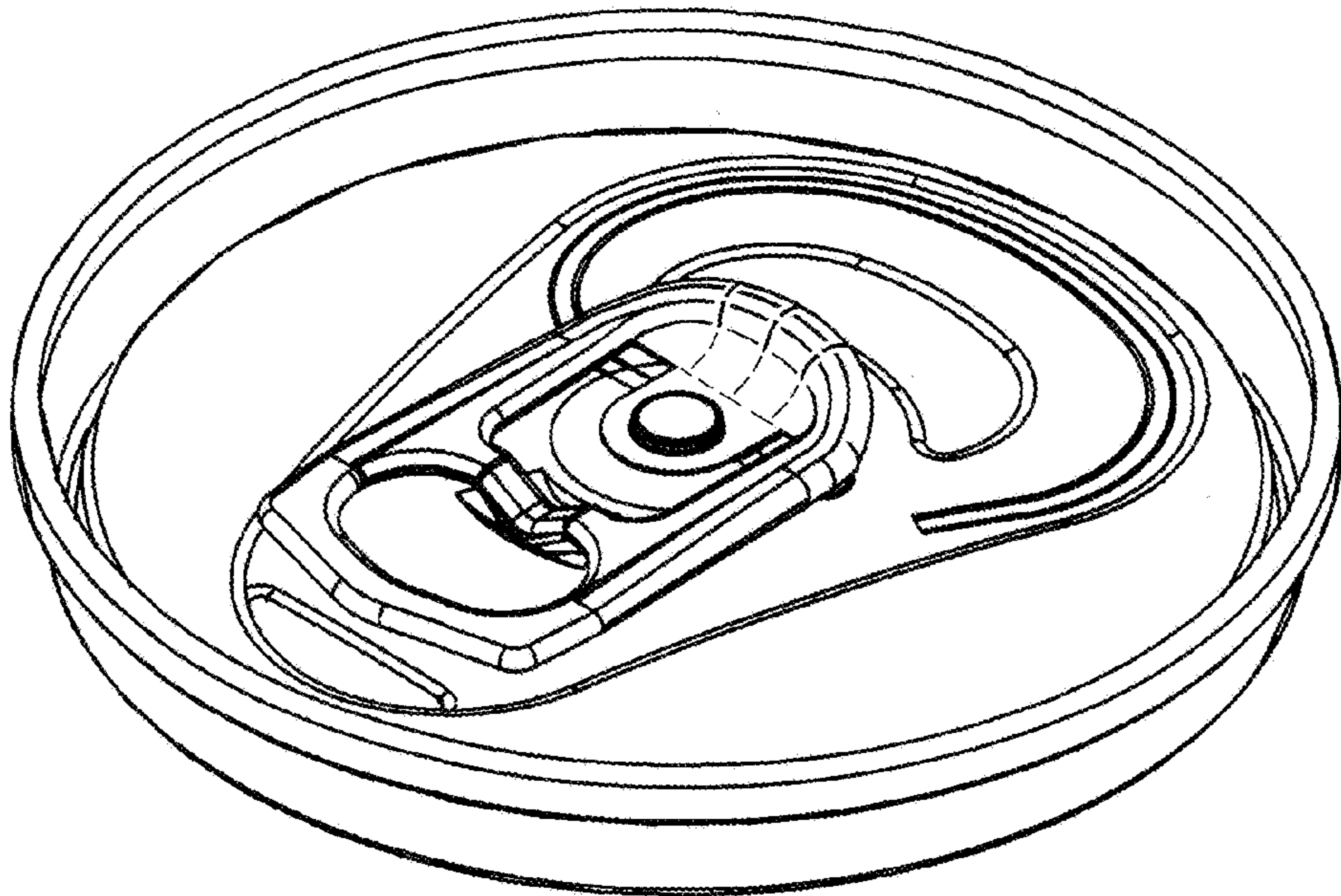


FIG. 1

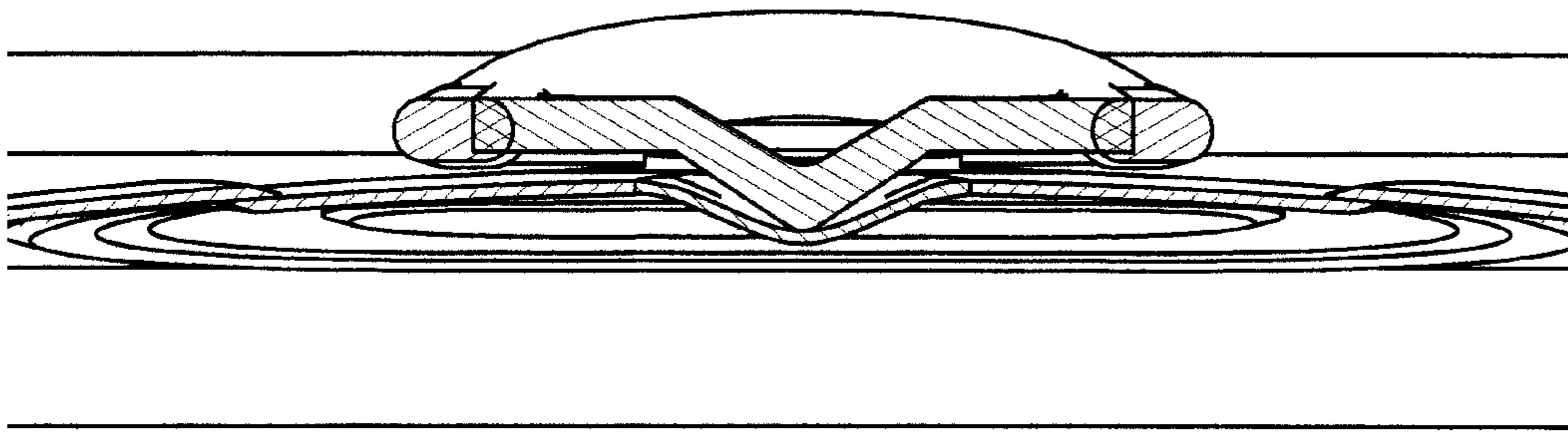


FIG. 2

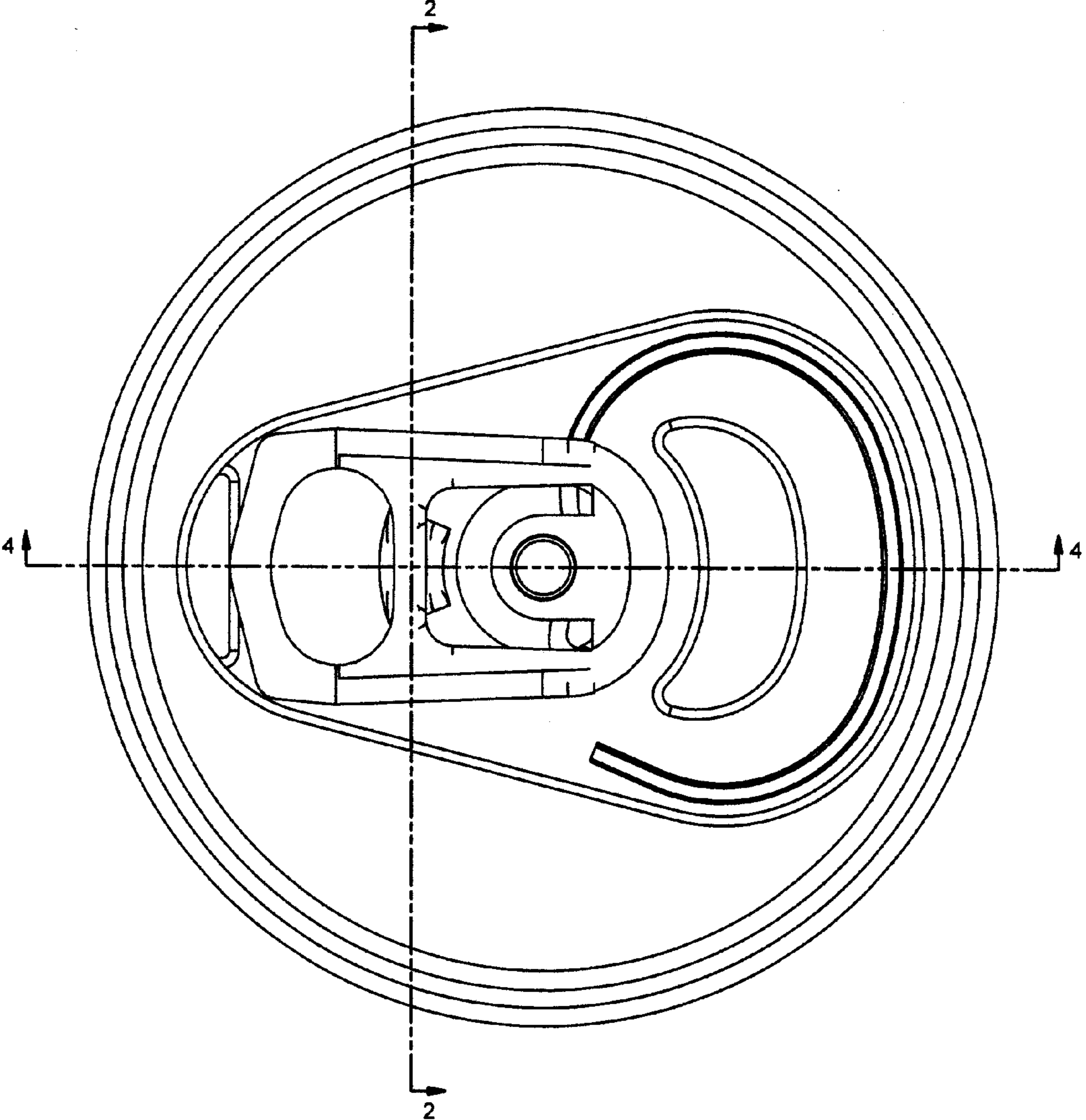


FIG. 3

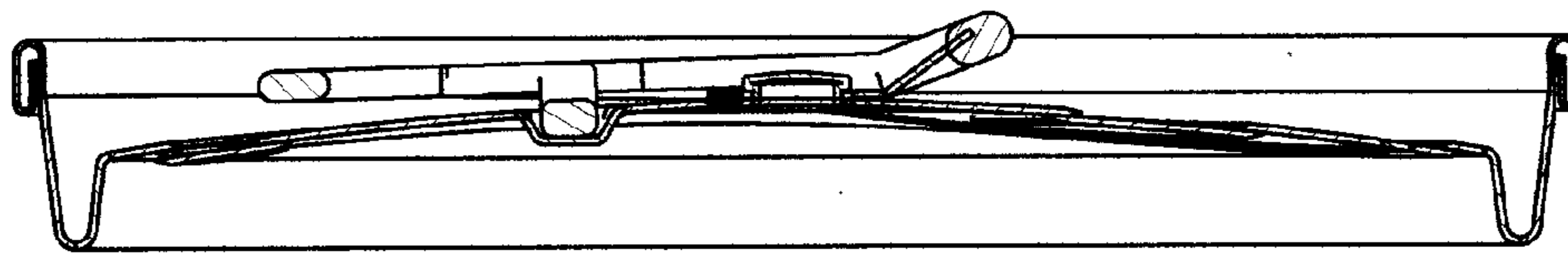


FIG. 4

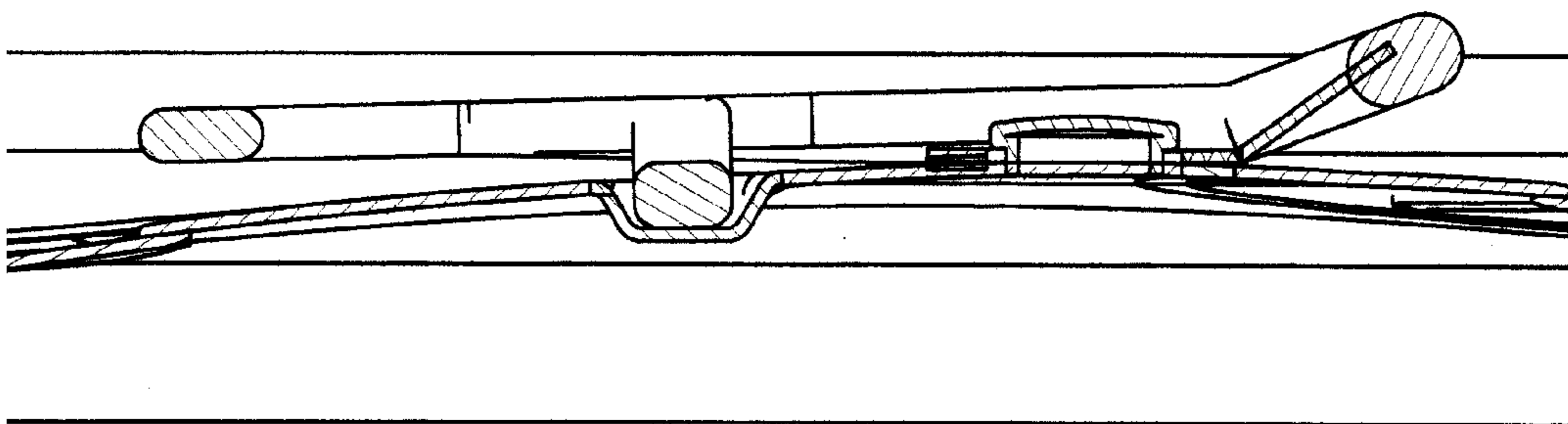


FIG. 5

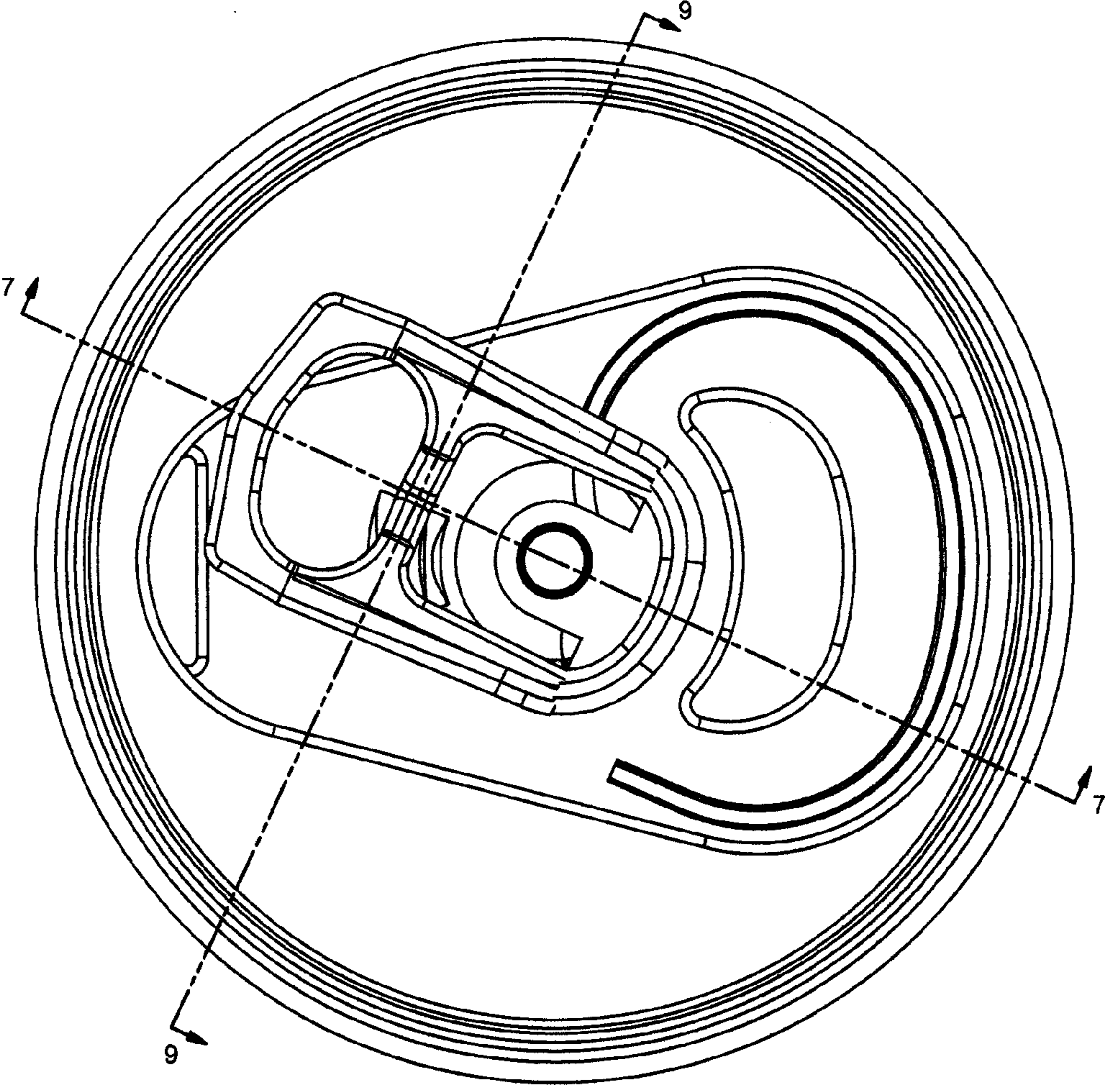


FIG. 6

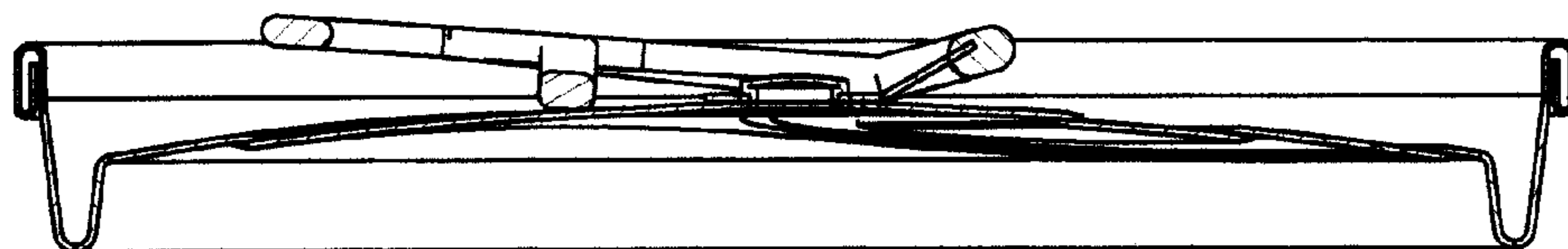


FIG. 7

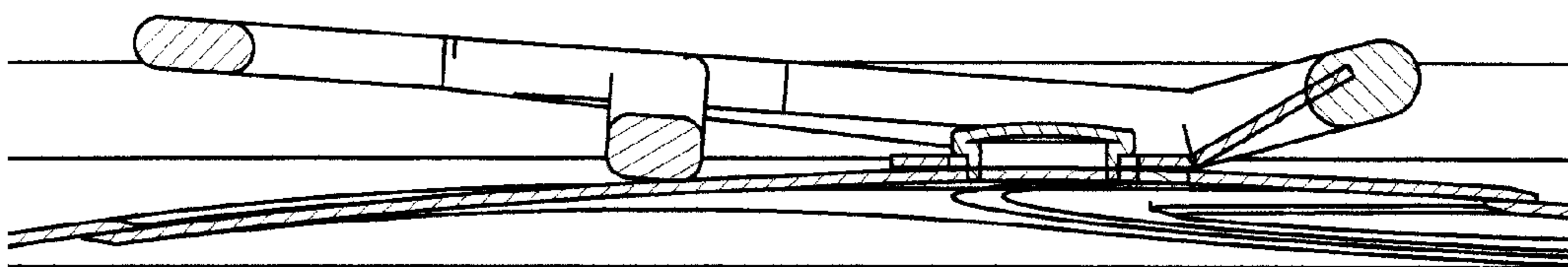


FIG. 8

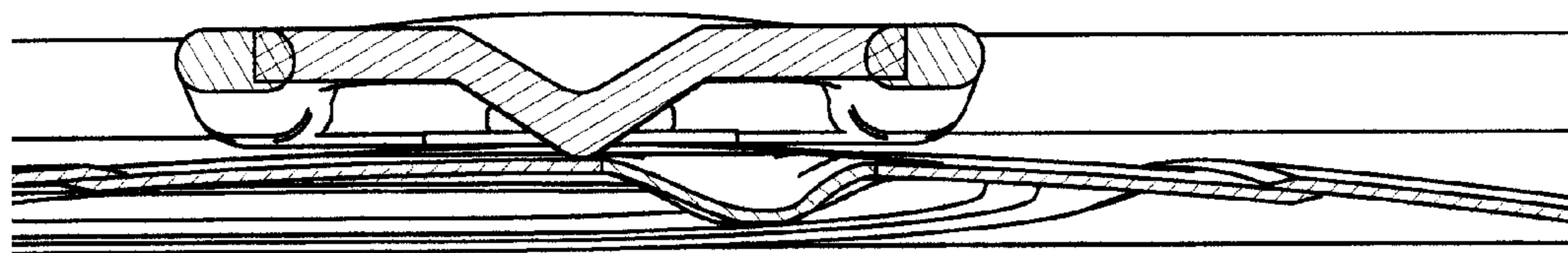


FIG. 9

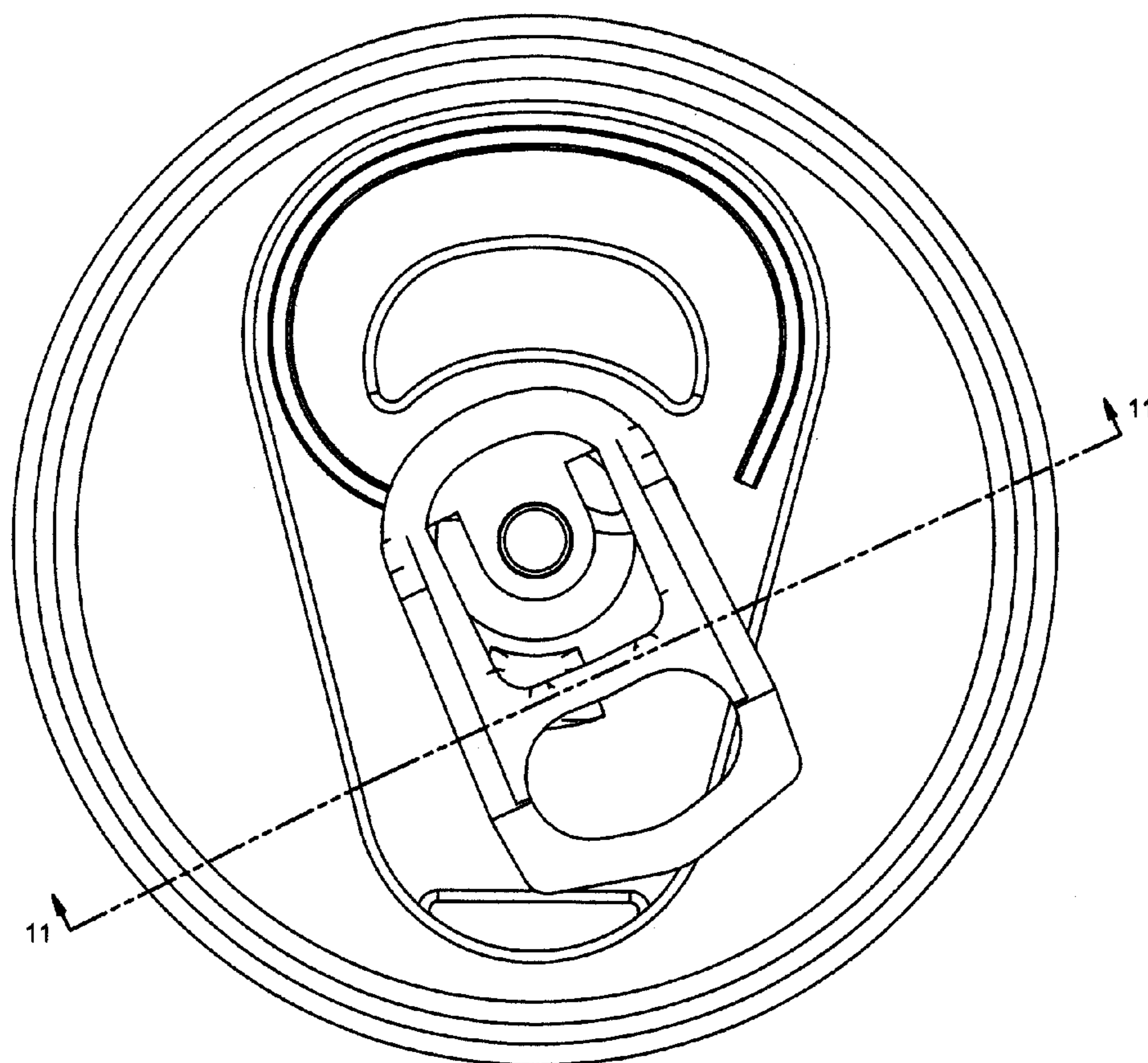


FIG. 10

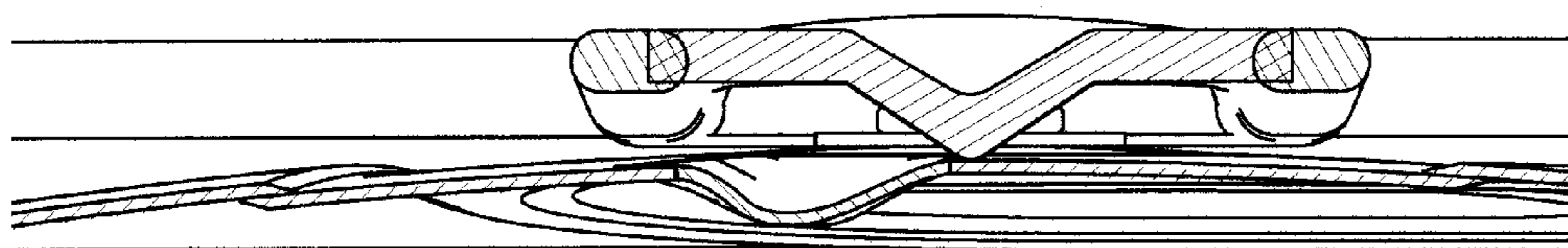


FIG. 11