



US00D600115S

(12) **United States Design Patent**
Trayser

(10) **Patent No.:** **US D600,115 S**
(45) **Date of Patent:** **** Sep. 15, 2009**

(54) **BOTTLE BAND**

(76) Inventor: **Bradford Trayser**, 140 E. Cedar, Unit
8C-D, Chicago, IL (US) 60611

(**) Term: **14 Years**

(21) Appl. No.: **29/329,851**

(22) Filed: **Dec. 22, 2008**

Related U.S. Application Data

(63) Continuation-in-part of application No. 29/318,941,
filed on May 30, 2008, now Pat. No. Des. 587,570.

(51) **LOC (9) Cl.** **09-07**

(52) **U.S. Cl.** **D9/434**

(58) **Field of Classification Search** D9/719,
D9/557, 501, 499, 444, 435, 434, 419; D7/633;
D3/215; D20/22; 606/203; 40/665; 24/30.5 P,
24/16 R; 222/142.1; 215/376, 12.2; 156/86
See application file for complete search history.

(56) **References Cited**

U.S. PATENT DOCUMENTS

661,641	A *	11/1900	Henrich	40/665
845,777	A *	3/1907	Grossman	215/376
1,051,458	A *	1/1913	Sherman	40/665
1,609,731	A *	12/1926	Lechner	40/665
2,326,414	A *	8/1943	Thompson	220/4.27
3,086,529	A *	4/1963	Munz et al.	606/203
3,485,416	A *	12/1969	Fohrman	222/142.1
D222,033	S *	9/1971	Donoghue	D9/501
D225,616	S *	12/1972	Bagn	D9/501
3,825,141	A *	7/1974	Campagna	215/12.2
3,965,591	A *	6/1976	Le Sueur	40/665
4,939,818	A *	7/1990	Hahn	24/16 R
5,138,784	A *	8/1992	Niwa	40/665
D369,550	S *	5/1996	Crosby	D9/435

D381,046	S *	7/1997	Hiers et al.	D20/22
5,653,728	A *	8/1997	Ahern et al.	606/203
5,704,144	A *	1/1998	Groth	40/306
D417,951	S *	12/1999	deMontagnac	D3/215
6,058,639	A *	5/2000	Tinklenberg et al.	40/665
6,117,257	A *	9/2000	Takahashi et al.	156/86
D434,655	S *	12/2000	Haugh et al.	D9/434
D446,454	S *	8/2001	Frank	D9/444
D480,969	S *	10/2003	Owens	D9/455
6,763,554	B1 *	7/2004	Torrey et al.	24/30.5 P
D533,774	S *	12/2006	Harper	D9/434
7,172,668	B2 *	2/2007	Key	156/86
D563,784	S *	3/2008	Swartz et al.	D9/444

* cited by examiner

Primary Examiner—Susan Bennett Hattan

(74) *Attorney, Agent, or Firm*—Daniel M. Gurfinkel; Husch
Blackwell Sanders Welsh & Katz

(57) **CLAIM**

The ornamental design for a bottle band, as shown and
described.

DESCRIPTION

FIG. 1 is a perspective view of the bottle band;

FIG. 2 is an outside elevational view of the bottle band, the
inside of the bottle band being flat and unornamented

FIG. 3 is a top view thereof;

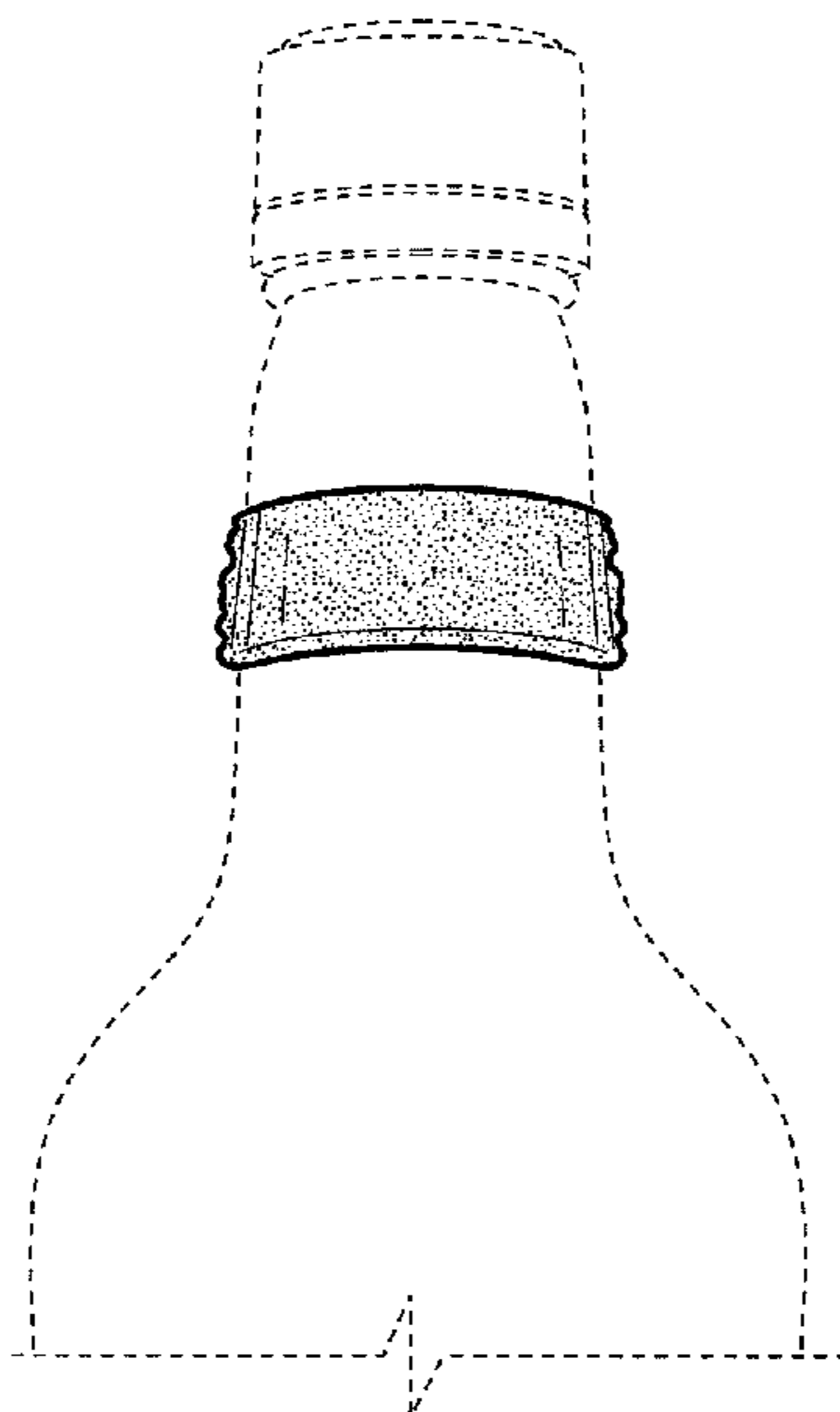
FIG. 4 is a bottom view; and,

FIG. 5 is a cross-sectional view of the bottle band, taken along
the plane of line 5—5 of FIG. 2; and,

FIG. 6 is a perspective view of an alternate embodiment of the
bottle band of FIG. 1.

The broken line showing of a bottle depicts environmental
subject matter only and forms no part of the claimed design.

1 Claim, 2 Drawing Sheets



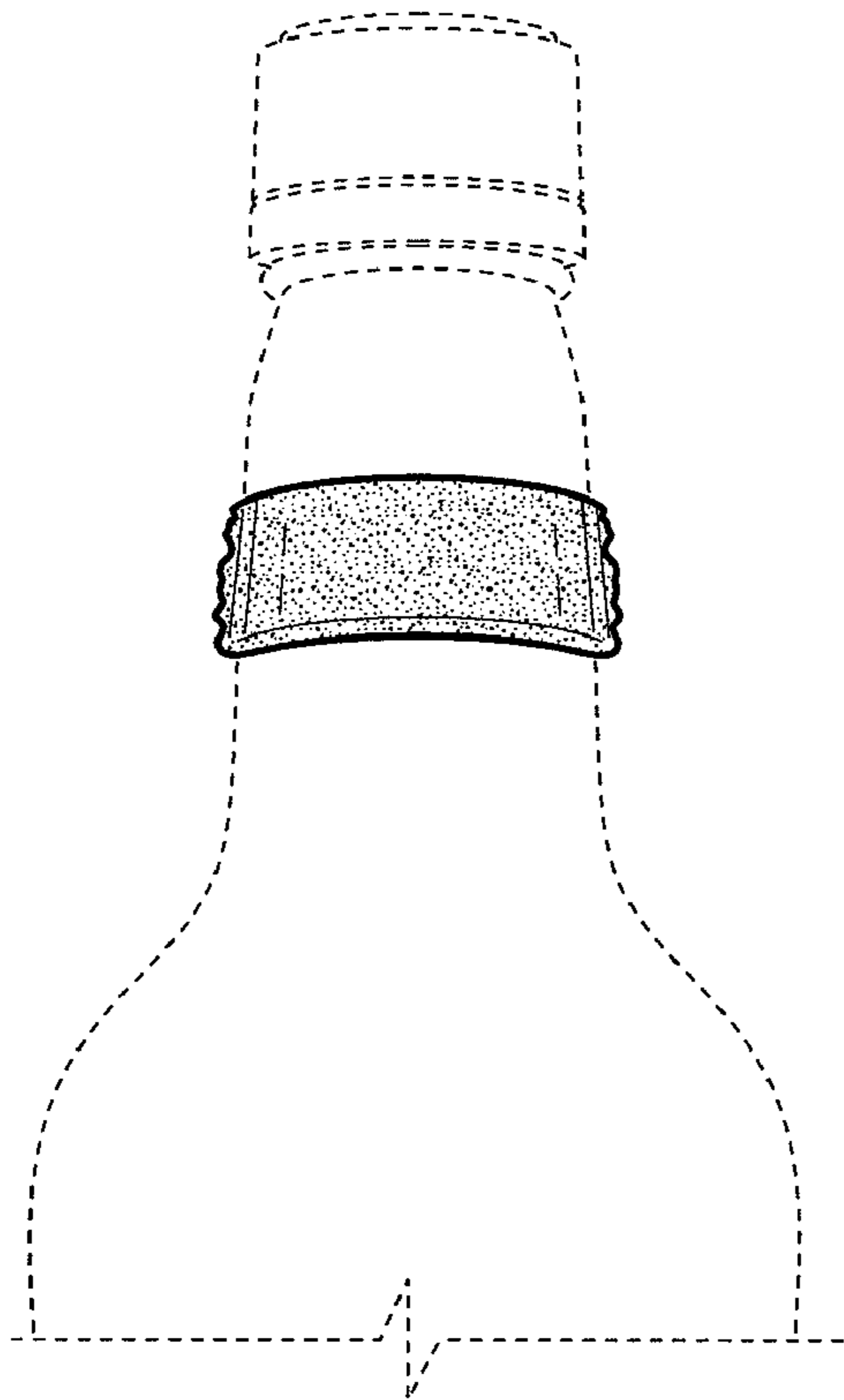


FIG. 1

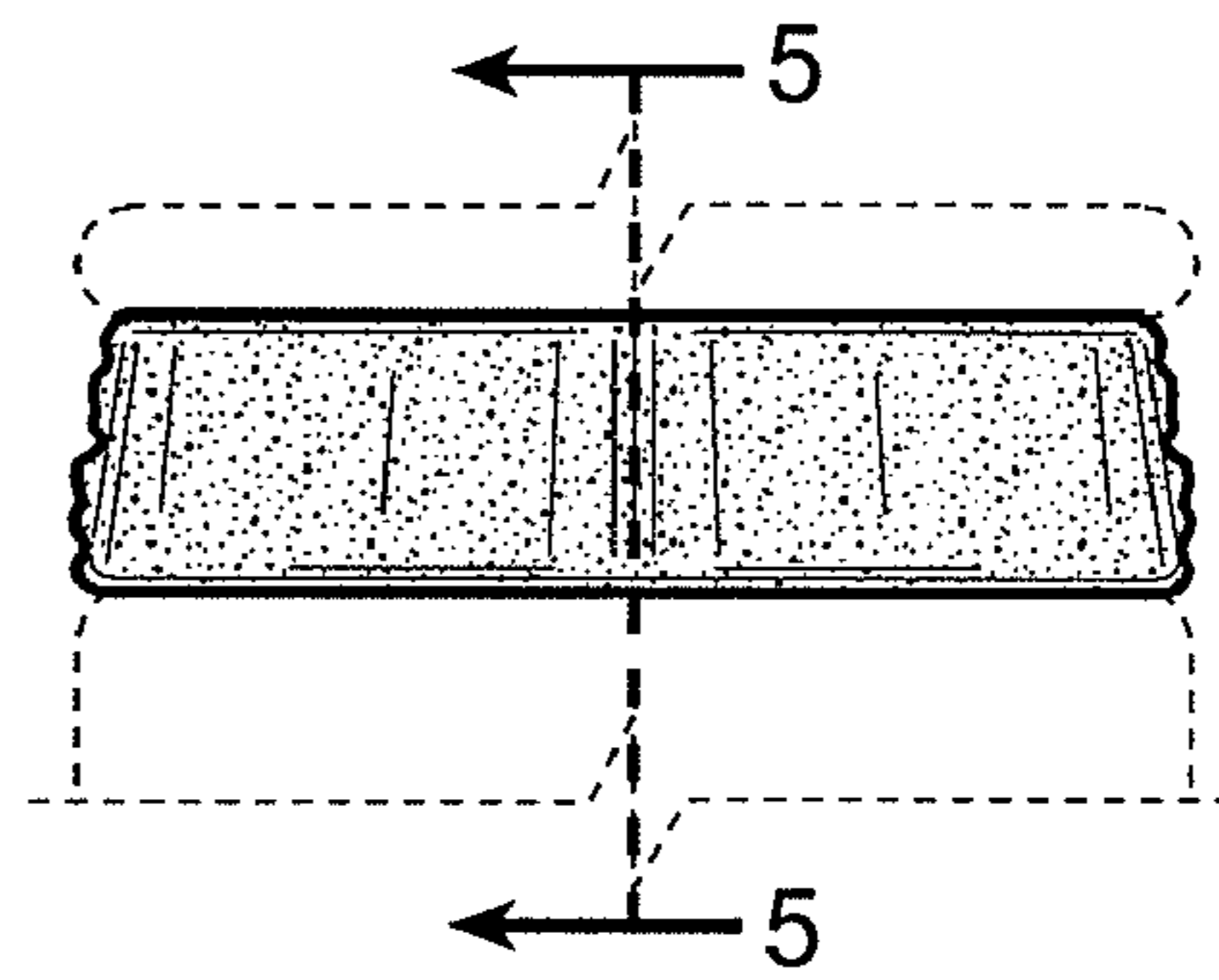


FIG. 2

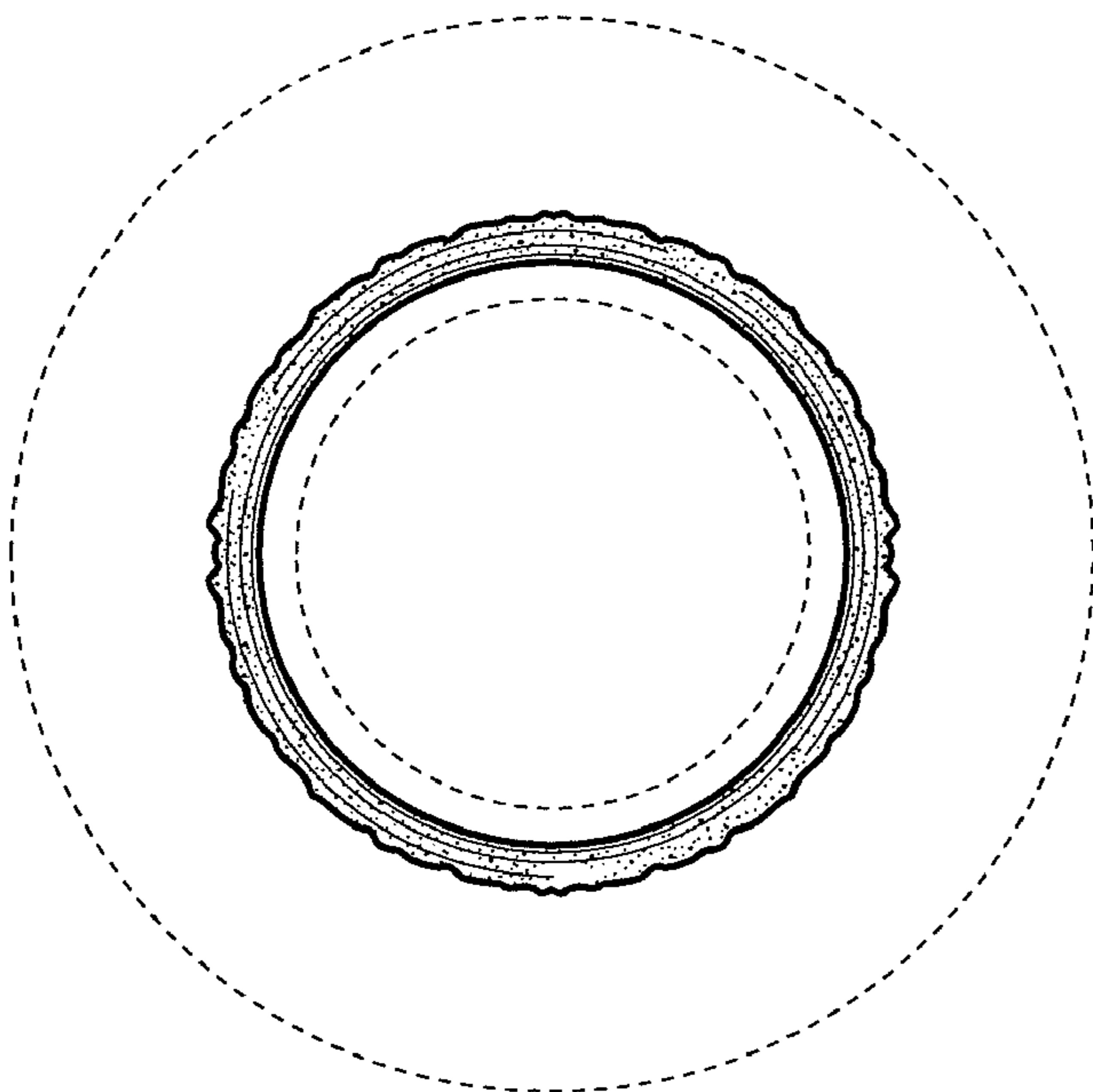


FIG. 3

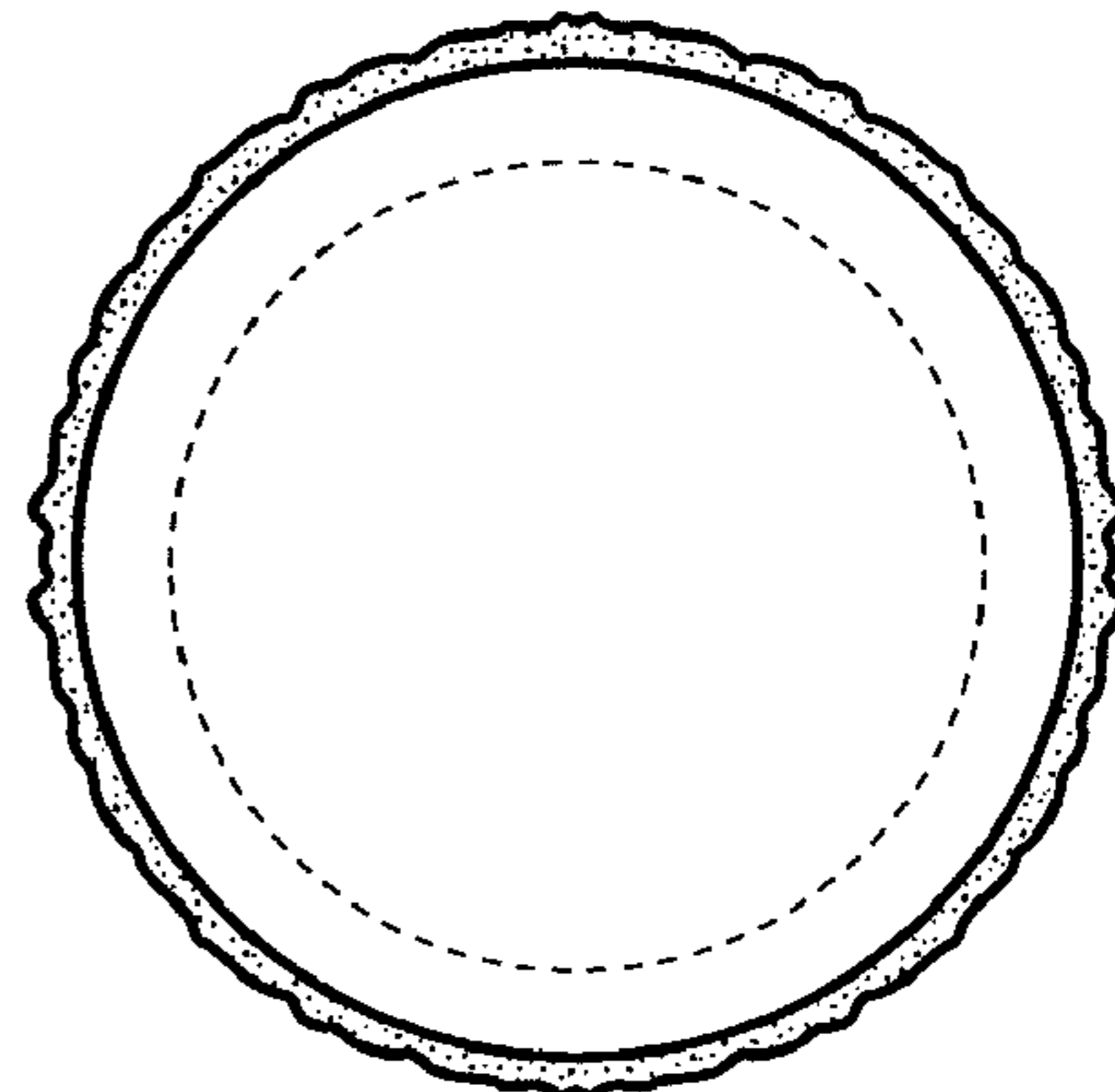


FIG. 4

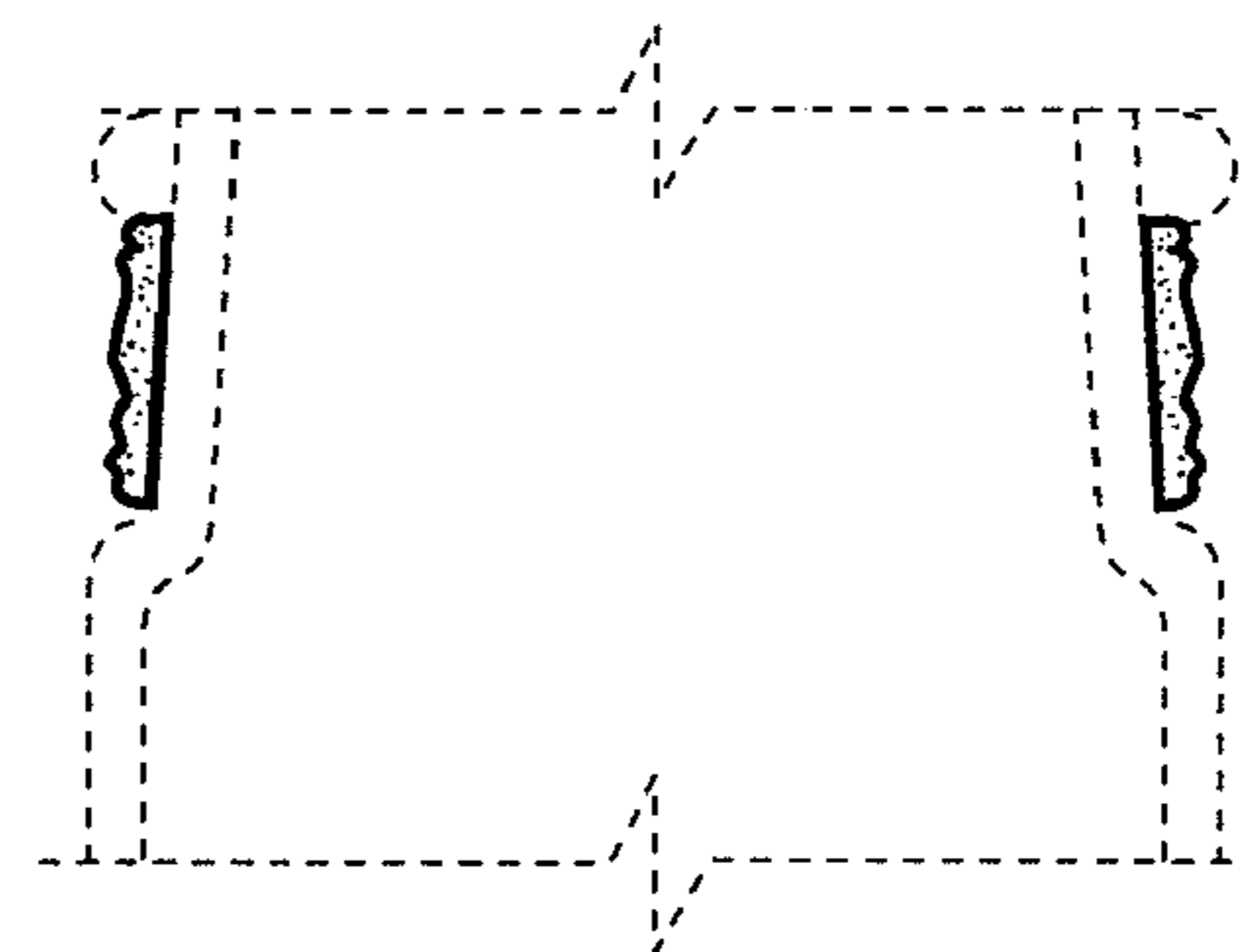


FIG. 5

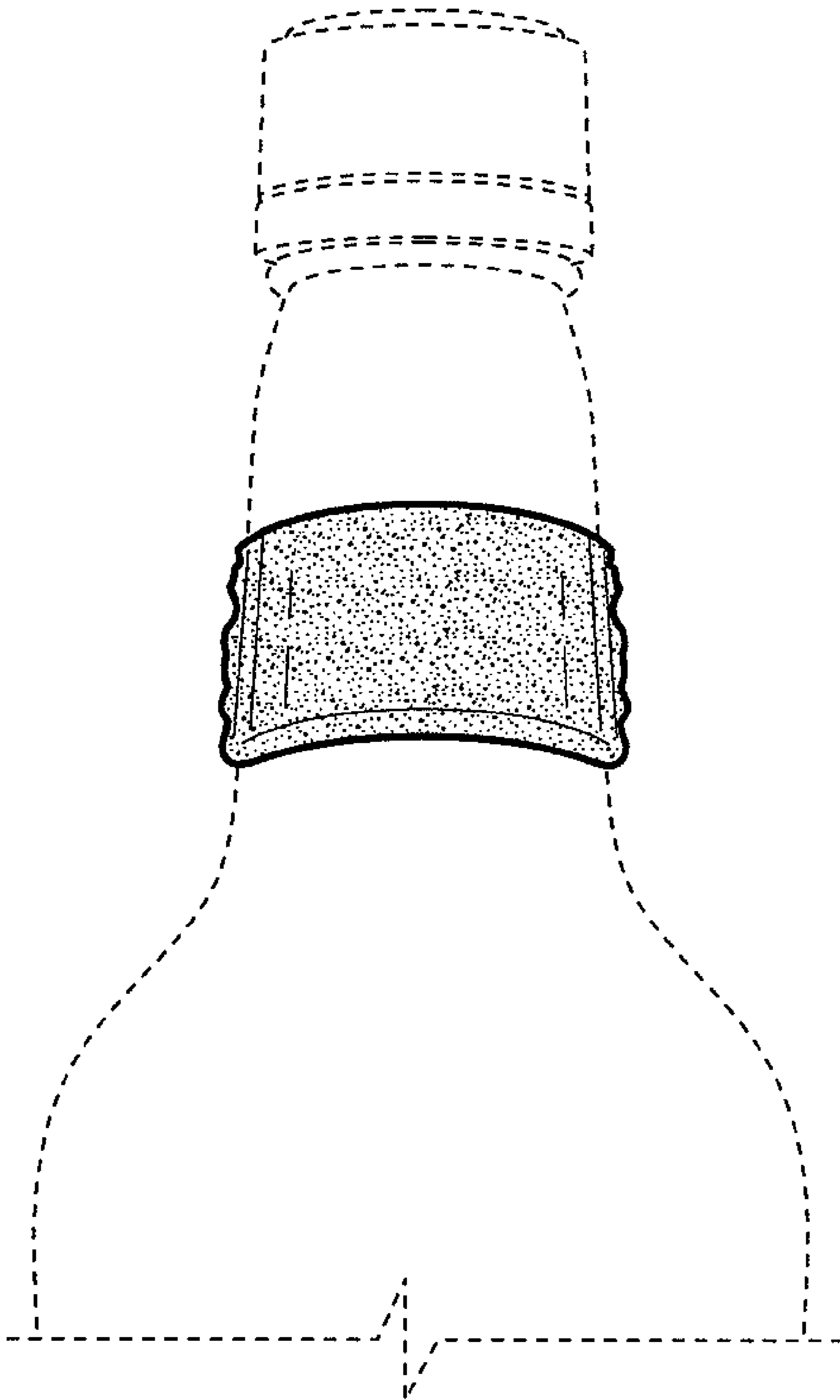


FIG. 6