

US00D600114S

(12) **United States Design Patent**  
**Nomura**

(10) **Patent No.:** **US D600,114 S**

(45) **Date of Patent:** **\*\* Sep. 15, 2009**

(54) **CONTAINER FOR PACKAGING**

(75) Inventor: **Eiji Nomura**, Saitama-ken (JP)

(73) Assignee: **Nomura Sogo Shoji Co., Ltd.**,  
Saitama-Ken (JP)

(\*\*) Term: **14 Years**

(21) Appl. No.: **29/322,338**

(22) Filed: **Aug. 1, 2008**

(51) **LOC (9) Cl.** ..... **09-03**

(52) **U.S. Cl.** ..... **D9/425**

(58) **Field of Classification Search** ..... D9/414-416,  
D9/418-420, 423-428, 430-432, 434; D7/354,  
D7/396.1, 392.1, 394, 538, 543-545, 550.1,  
D7/551, 554.3, 587, 566, 584, 586, 629, 667;  
220/4.22-4.24, 574, 604-608, 659, 675,  
220/781-782, 793, 835, 839, DIG. 14; 206/119,  
206/470, 508, 545, 806; 229/406; 219/725,  
219/735

See application file for complete search history.

(56) **References Cited**

U.S. PATENT DOCUMENTS

D194,560	S	*	2/1963	Ringlen	.....	D9/425
3,082,903	A	*	3/1963	Stevens et al.	.....	220/833
D195,375	S	*	6/1963	Bostrom	.....	D9/425
3,489,265	A	*	1/1970	Puente	.....	206/454
3,695,424	A	*	10/1972	Cristy et al.	.....	206/455
D237,258	S	*	10/1975	Mazzola et al.	.....	D9/423
D256,650	S	*	9/1980	Juster	.....	D7/629
5,220,999	A	*	6/1993	Goulette	.....	206/470

5,300,748	A	*	4/1994	Colombo	.....	219/734
D485,755	S	*	1/2004	Isler et al.	.....	D9/425
D553,489	S	*	10/2007	Lambert et al.	.....	D9/420
D554,988	S	*	11/2007	Sim	.....	D9/425

\* cited by examiner

*Primary Examiner*—Philip S Hyder

*Assistant Examiner*—Susan E Krakower

(74) *Attorney, Agent, or Firm*—Browdy and Neimark,  
P.L.L.C.

(57) **CLAIM**

The ornamental design for a container for packaging, as shown and described.

**DESCRIPTION**

FIG. 1 is a right side elevational view of container for packaging, in open position.

FIG. 2 is a front elevational view thereof, in open position.

FIG. 3 is a top plan view thereof in open position.

FIG. 4 is a bottom plan view thereof in open position.

FIG. 5 is a front elevational view thereof in closed position.

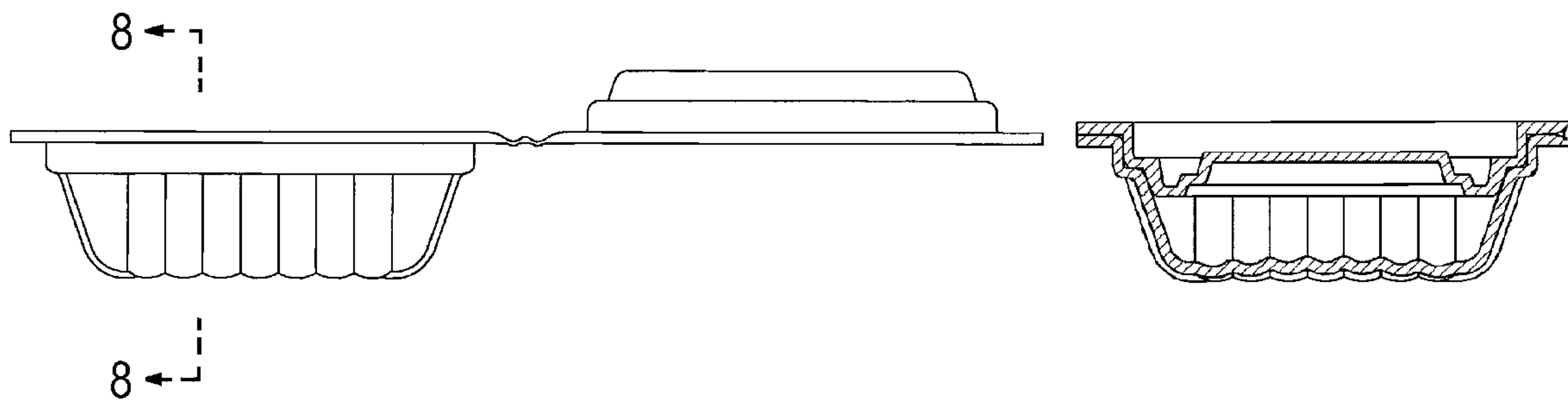
FIG. 6 is a top plan view thereof in closed position.

FIG. 7 is a vertical sectional view thereof taken along a line 7—7 of FIG. 3, in open position.

FIG. 8 is a vertical sectional view thereof taken along a line 8—8 of FIG. 1, without the lid; and,

FIG. 9 is a vertical sectional view thereof taken along 9—9 of FIG. 6 in closed position.

**1 Claim, 9 Drawing Sheets**



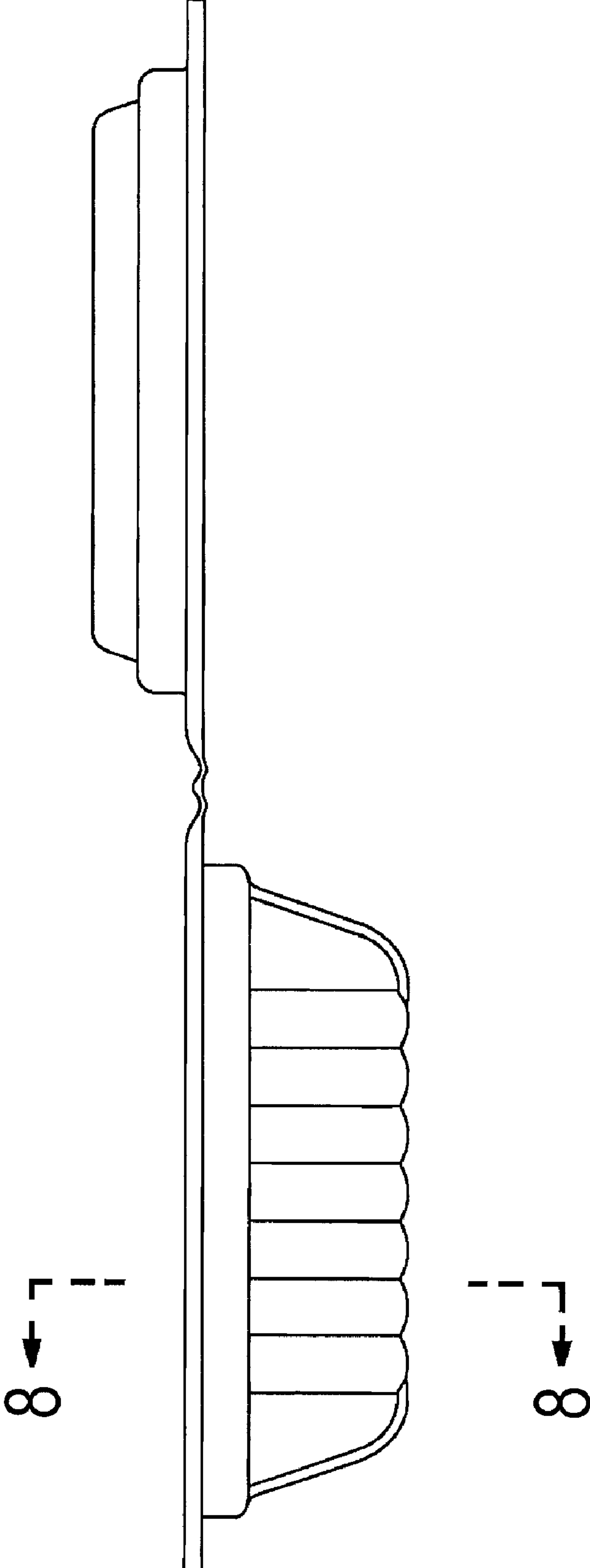


FIG. 1

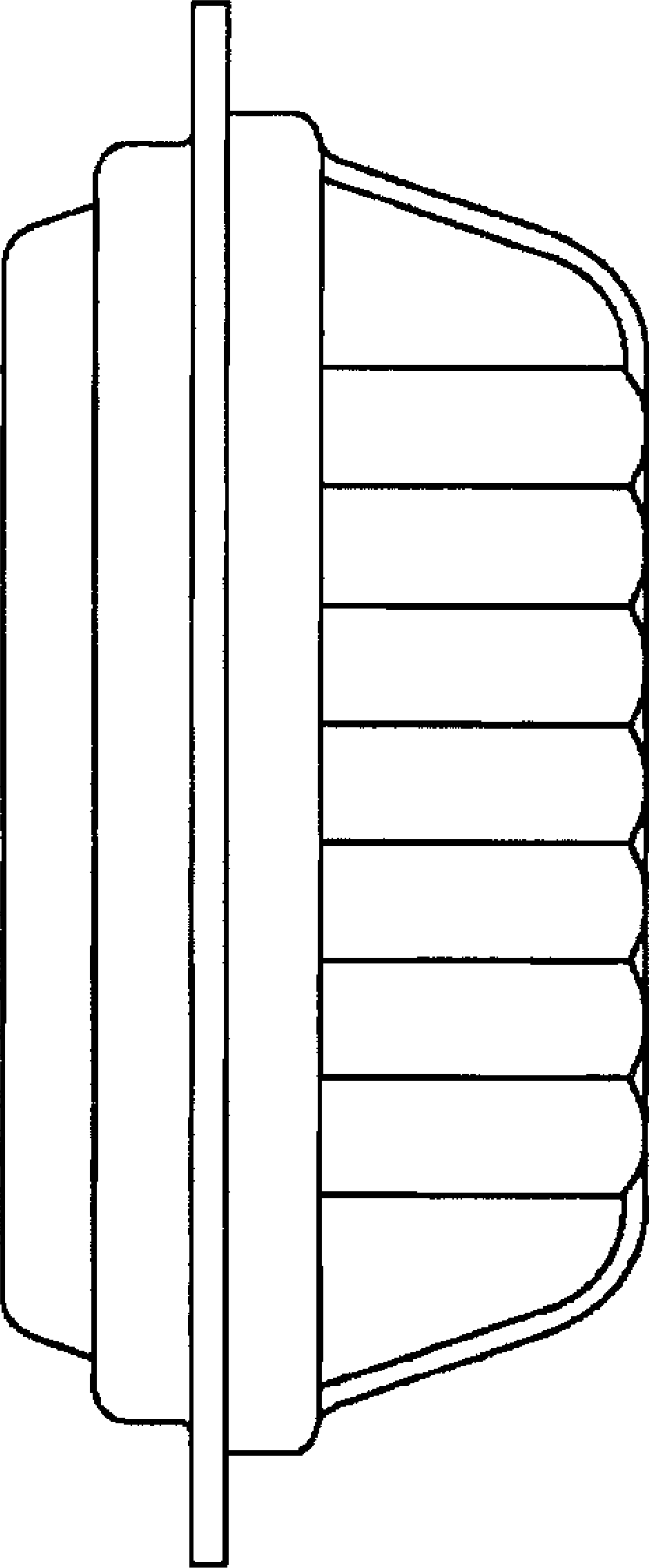


FIG. 2

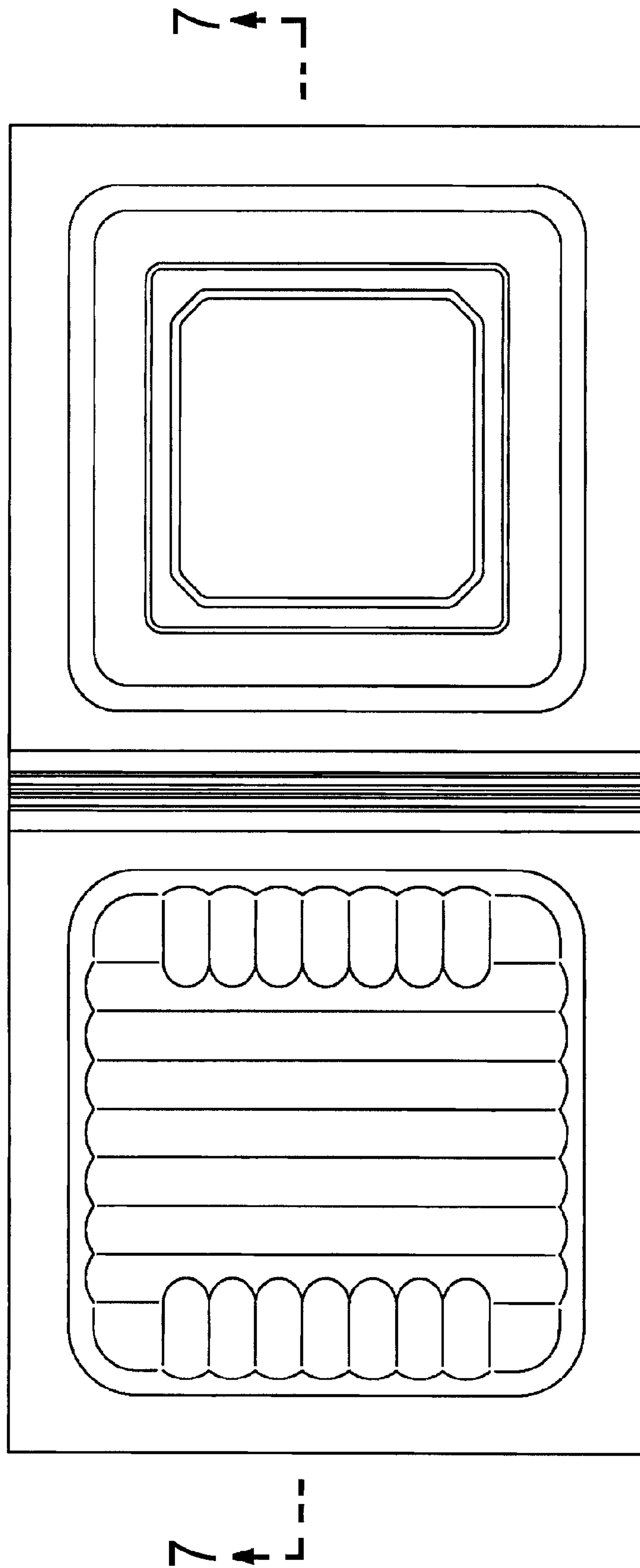


FIG. 3

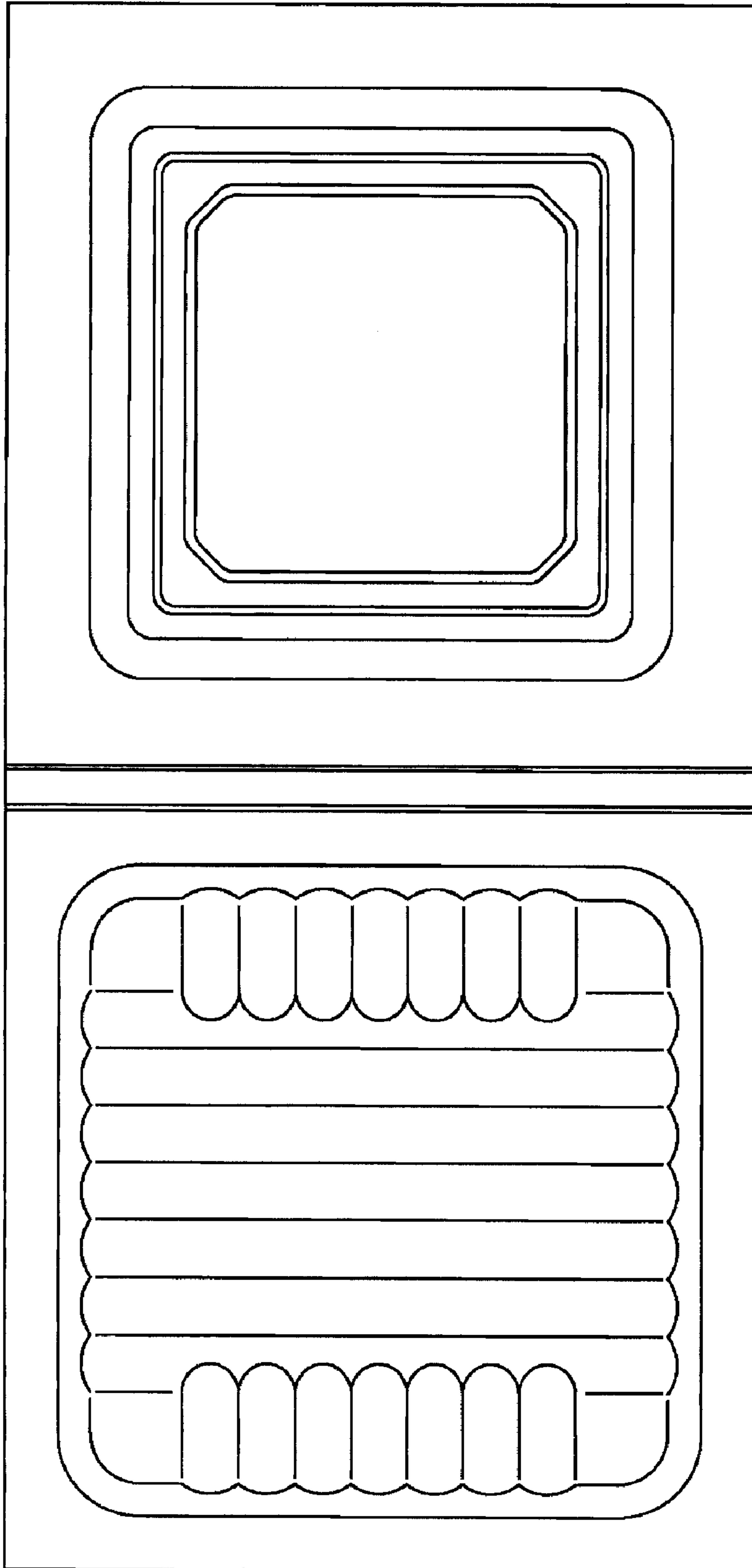


FIG. 4

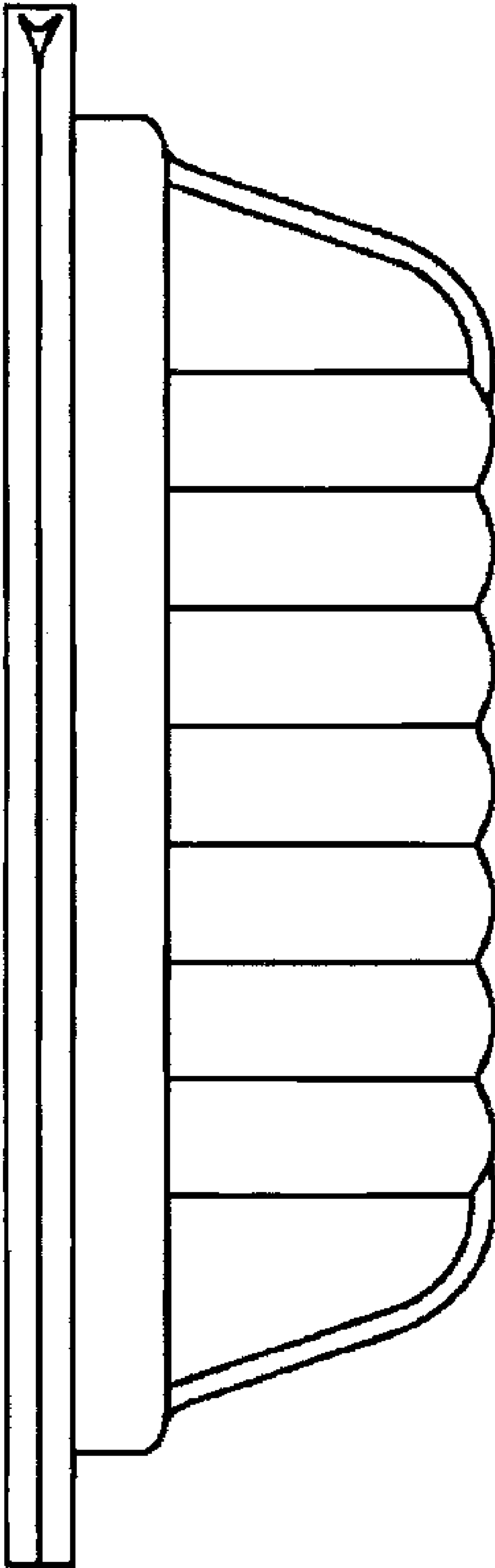


FIG. 5

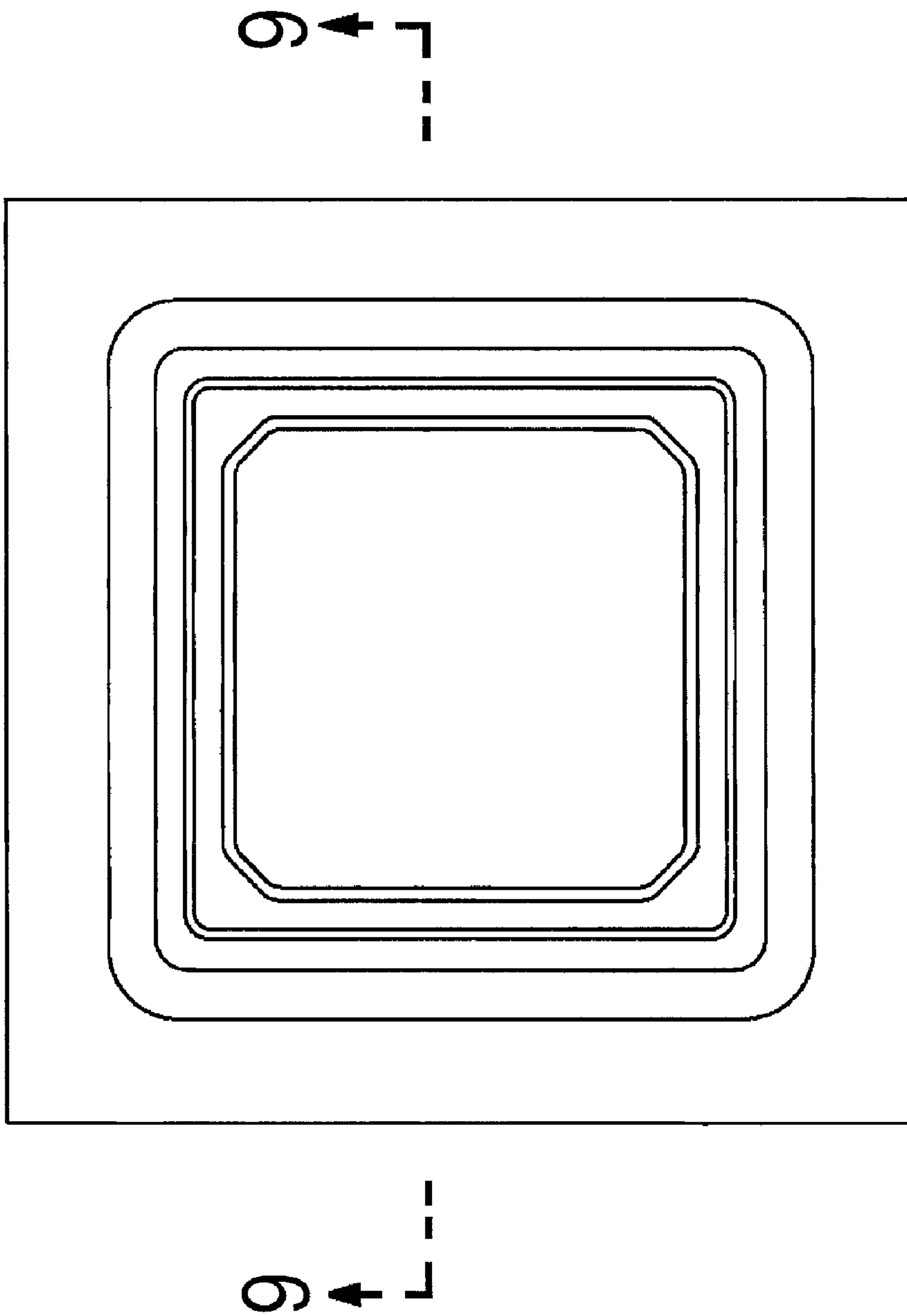


FIG. 6

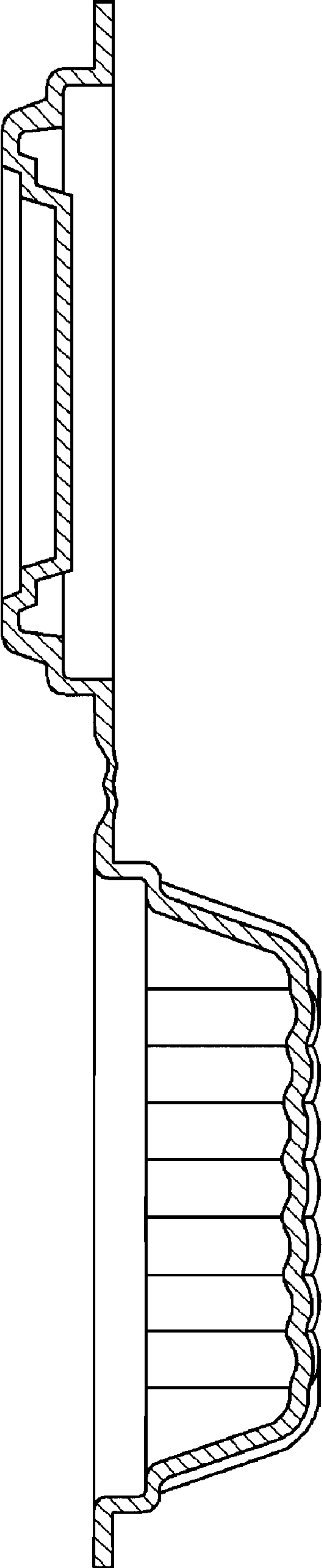


FIG. 7



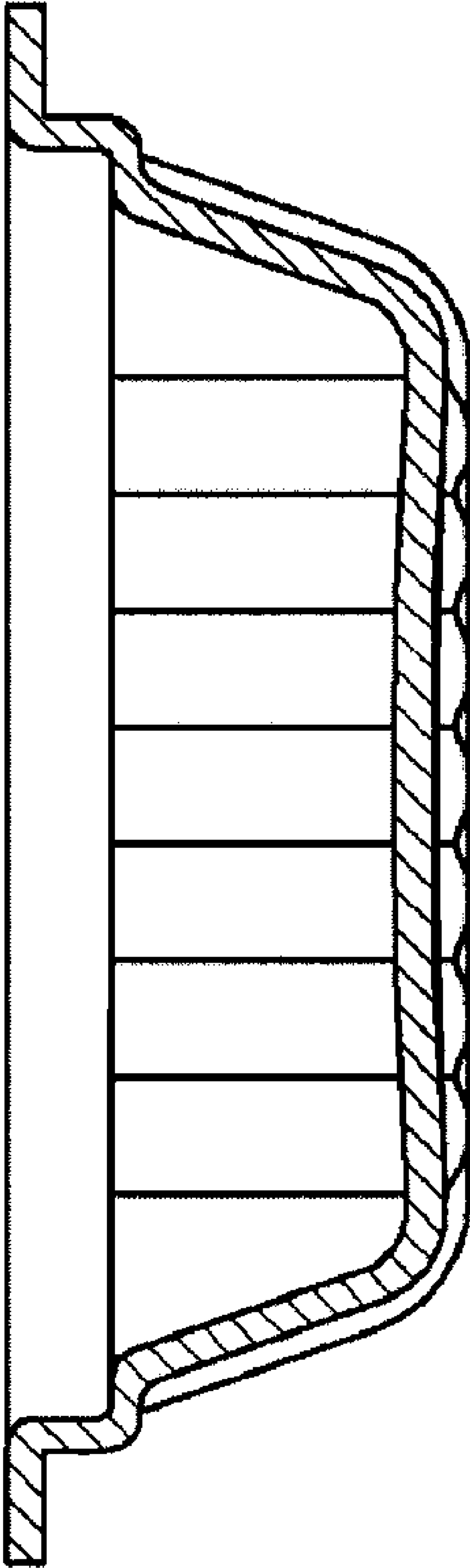


FIG. 8

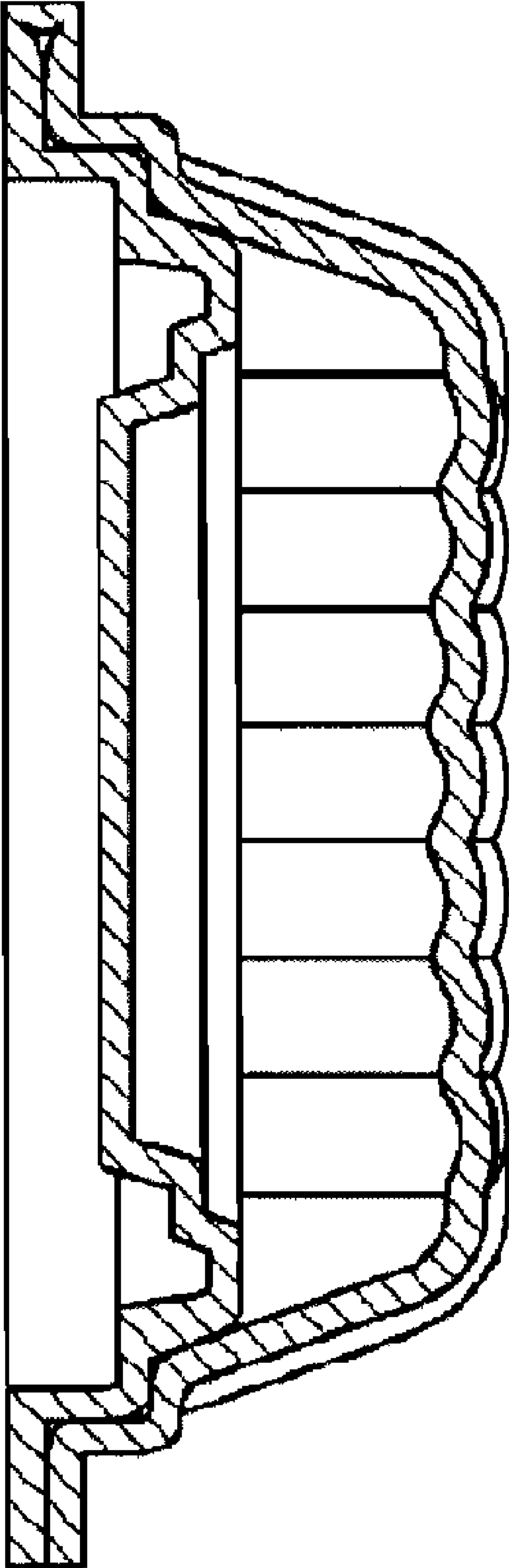


FIG. 9