



US00D600113S

(12) **United States Design Patent**  
**Edwards et al.**

(10) **Patent No.:** **US D600,113 S**

(45) **Date of Patent:** **\*\* Sep. 15, 2009**

(54) **RECLOSABLE PACKAGE**

(75) Inventors: **Jay Anthony Edwards**, Madison, WI (US); **Nichelle Renee Lange**, Sun Prairie, WI (US)

(73) Assignee: **Kraft Foods Global Brands LLC**, Northfield, IL (US)

(\*\*) Term: **14 Years**

(21) Appl. No.: **29/275,309**

(22) Filed: **Dec. 20, 2006**

(51) **LOC (9) Cl.** ..... **09-03**

(52) **U.S. Cl.** ..... **D9/425; D9/432**

(58) **Field of Classification Search** ..... D9/425, D9/414, 415, 416, 418, 419, 424, 427, 429, D9/432; D7/359, 601, 602, 629; 206/459.1, 206/484, 484.1, 484.2, 508, 518, 557, 776, 206/777, 806; 220/241, 242, 376, 556, 668, 220/781; 229/902, 904, 938; 426/106, 115  
See application file for complete search history.

(56) **References Cited**

U.S. PATENT DOCUMENTS

- 3,344,974 A \* 10/1967 Bostrom ..... 229/123.1
- 3,371,848 A \* 3/1968 Ward et al. .... 220/270
- 3,765,595 A 10/1973 Bernhardt
- D276,026 S \* 10/1984 Hexamer ..... D9/425
- 4,555,056 A \* 11/1985 Bernhardt ..... 229/102
- D334,141 S \* 3/1993 Gottofredi ..... D9/425
- D336,850 S \* 6/1993 Guillin ..... D9/429
- 5,429,833 A 7/1995 Wyslotsky
- 5,456,379 A \* 10/1995 Krupa et al. .... 220/835
- 5,542,234 A 8/1996 Wyslotsky et al.
- D378,734 S \* 4/1997 Hardy et al. .... D9/425
- 5,651,462 A 7/1997 Simonsen et al.
- D384,247 S \* 9/1997 Smith et al. .... D7/542
- 5,718,101 A 2/1998 Noel et al.
- 5,795,604 A 8/1998 Wells et al.
- 5,897,011 A \* 4/1999 Brilliant et al. .... 220/4.23
- D416,751 S \* 11/1999 Sawyer et al. .... D7/359
- 6,032,827 A \* 3/2000 Zettle et al. .... 220/788
- 6,299,919 B1 \* 10/2001 Knaus et al. .... 426/115
- D482,277 S \* 11/2003 Castellanos et al. .... D9/425
- 6,651,874 B1 11/2003 Pedersen

- D495,249 S \* 8/2004 Martinson et al. .... D9/425
- D522,355 S \* 6/2006 Castellanos et al. .... D9/425
- 2003/0087010 A1 5/2003 Archibald et al.
- 2004/0062838 A1 4/2004 Castellanos et al.
- 2004/0159080 A1 8/2004 Stewart et al.
- 2005/0019559 A1 1/2005 Peiffer et al.
- 2005/0233036 A1 10/2005 Feldmeier et al.
- 2006/0088677 A1 4/2006 Mathy et al.

FOREIGN PATENT DOCUMENTS

- DE 29515199 1/1996
- EP 0117673 9/1984
- EP 0631941 1/1995
- EP 0810162 12/1997
- EP 1089912 4/2001
- EP 1115572 7/2001
- EP 1577072 9/2005
- JP 2004322643 11/2004
- WO 98/52835 11/1998
- WO 01/04020 1/2001

\* cited by examiner

*Primary Examiner*—Prabhakar Deshmukh

*Assistant Examiner*—Derrick Holland

(74) *Attorney, Agent, or Firm*—Fitch, Even, Tabin & Flannery

(57) **CLAIM**

The ornamental design for a reclosable package, as shown and described.

**DESCRIPTION**

FIG. 1 is a perspective view of a reclosable package showing our new design;

FIG. 2 is a front elevation view thereof, the rear being a mirror image;

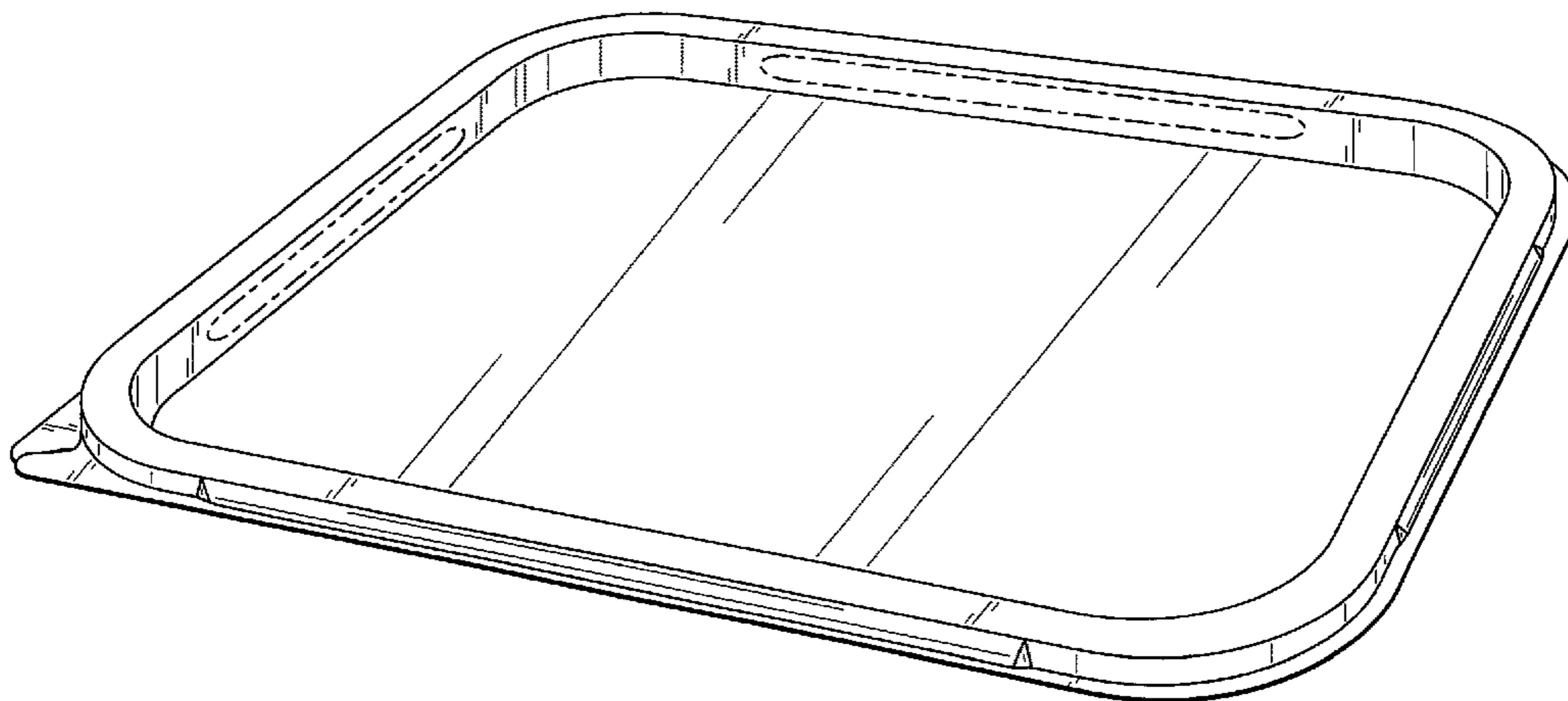
FIG. 3 is a right side elevation view thereof, the left side being a mirror image;

FIG. 4 is a top plan view thereof; and,

FIG. 5 is a bottom plan view thereof.

Portions of the reclosable package are shown in broken lines in FIGS. 1–5 for illustrative purposes only and form no part of the claimed design.

**1 Claim, 5 Drawing Sheets**



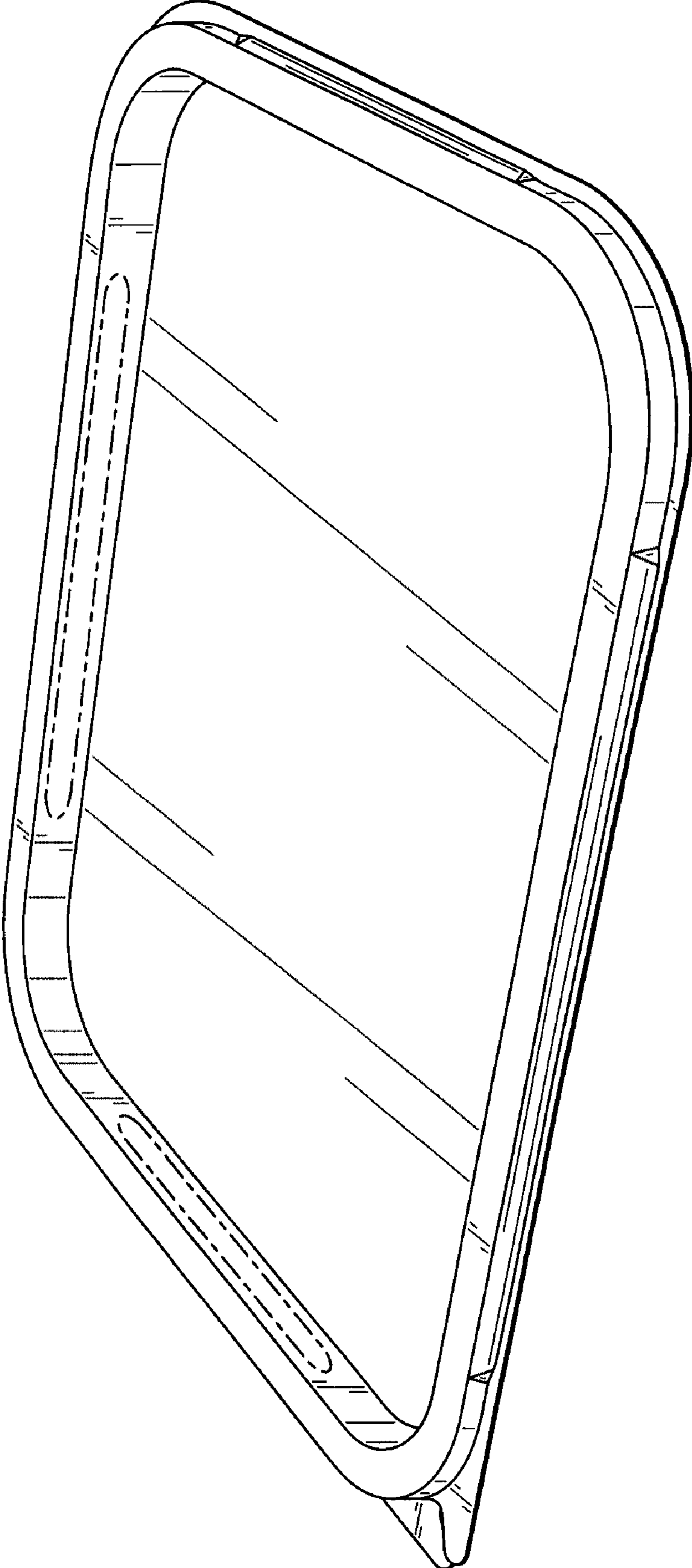


FIG. 1

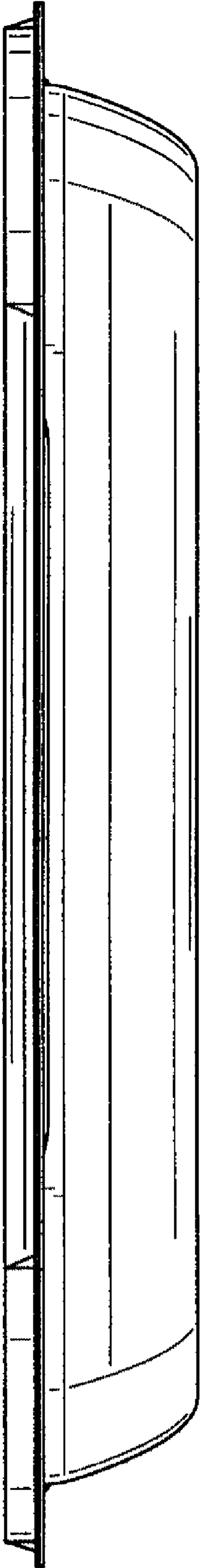


FIG. 2

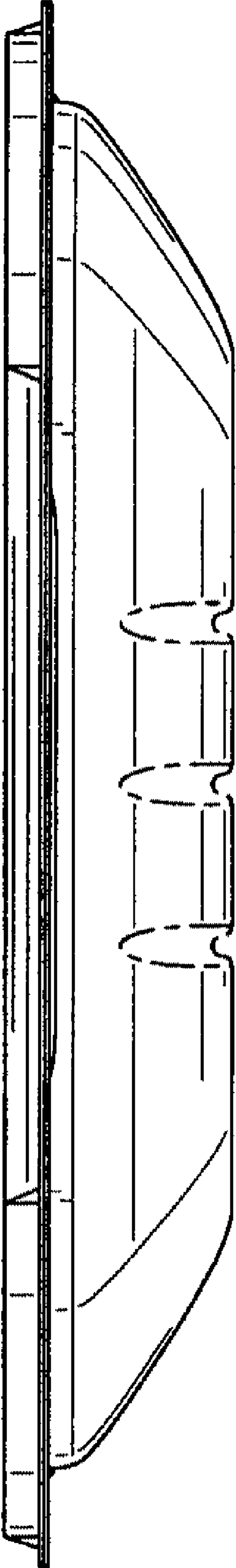


FIG. 3

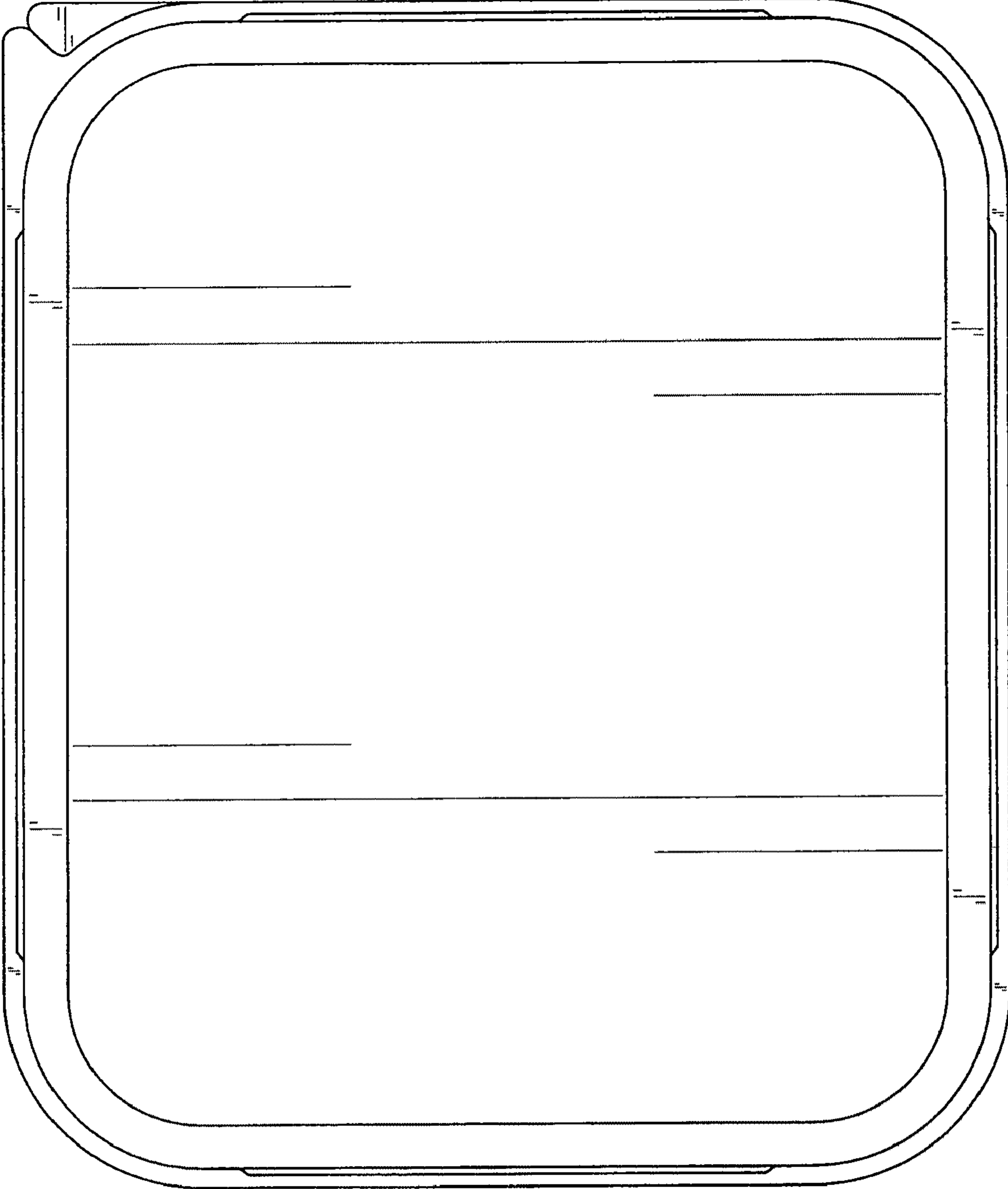


FIG. 4

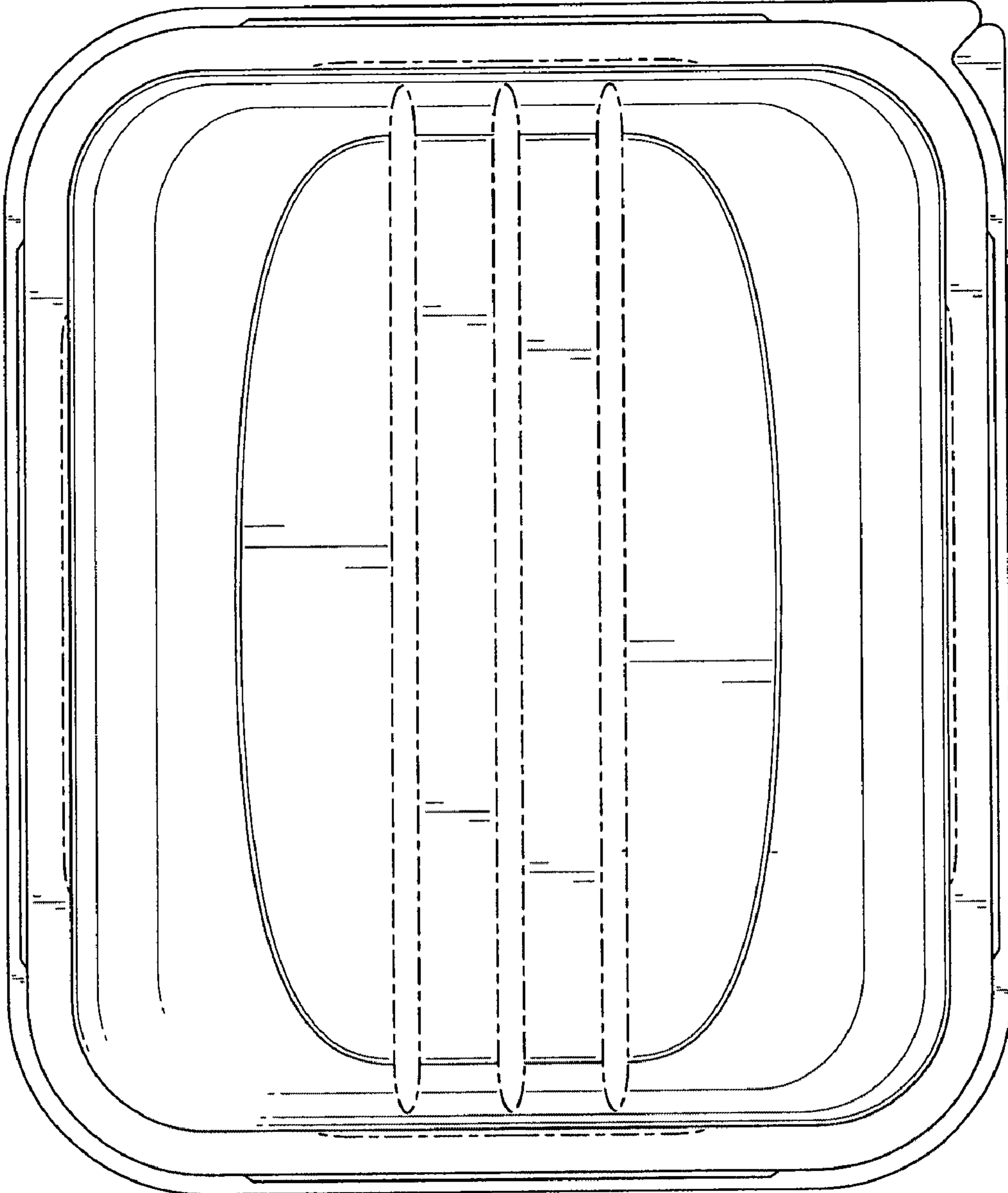


FIG. 5