



US00D600112S

(12) **United States Design Patent**
Cote et al.

(10) **Patent No.:** **US D600,112 S**

(45) **Date of Patent:** **** Sep. 15, 2009**

(54) **PACKAGING FOR SURGICAL BLADE TIPS**

(75) Inventors: **Dana Cote**, Boxford, MA (US); **Robert DeMarinis**, North Attleboro, MA (US); **Gregory P. Halloran**, Grafton, MA (US)

(73) Assignee: **Becton, Dickinson and Company**, Franklin Lakes, NJ (US)

(**) Term: **14 Years**

(21) Appl. No.: **29/334,875**

(22) Filed: **Apr. 3, 2009**

(51) **LOC (9) Cl.** **09-03**

(52) **U.S. Cl.** **D9/424; D9/414**

(58) **Field of Classification Search** D9/424,
D9/414, 415, 418, 426, 428, 499, 718; D3/203.1,
D3/203.7; D24/127, 128, 130, 146, 147;
206/339, 363, 364, 365, 366, 438, 822; 229/406,
229/800

See application file for complete search history.

(56) **References Cited**

U.S. PATENT DOCUMENTS

| | | | | |
|---------------|--------|----------|-------|---------|
| D208,079 S * | 7/1967 | Panicci | | D9/424 |
| D208,080 S * | 7/1967 | Hamilton | | D9/424 |
| 3,434,587 A * | 3/1969 | Ciampa | | 206/365 |
| D231,434 S * | 4/1974 | Kato | | D9/424 |
| 4,113,090 A * | 9/1978 | Carstens | | 206/365 |

| | | | | |
|-------------------|---------|----------------|-------|---------|
| D265,549 S * | 7/1982 | Houts et al. | | D3/272 |
| 4,763,788 A * | 8/1988 | Jorneus et al. | | 206/438 |
| D306,141 S * | 2/1990 | McFarlane | | D9/424 |
| D426,150 S * | 6/2000 | Izumi et al. | | D9/415 |
| D484,243 S * | 12/2003 | Ryan et al. | | D24/146 |
| D484,977 S * | 1/2004 | Ryan et al. | | D24/146 |
| D515,916 S * | 2/2006 | Bleuer | | D9/428 |
| 2005/0061697 A1 * | 3/2005 | Moberg | | 206/364 |

* cited by examiner

Primary Examiner—Prabhakar Deshmukh

Assistant Examiner—Derrick Holland

(74) *Attorney, Agent, or Firm*—Hoffmann & Baron, LLP

(57) **CLAIM**

The ornamental design for a packaging for surgical blade tips, as shown and described.

DESCRIPTION

FIG. 1 is a top perspective view of a packaging for surgical blade tips;

FIG. 2 is a top plan view thereof;

FIG. 3 is a right elevational view thereof;

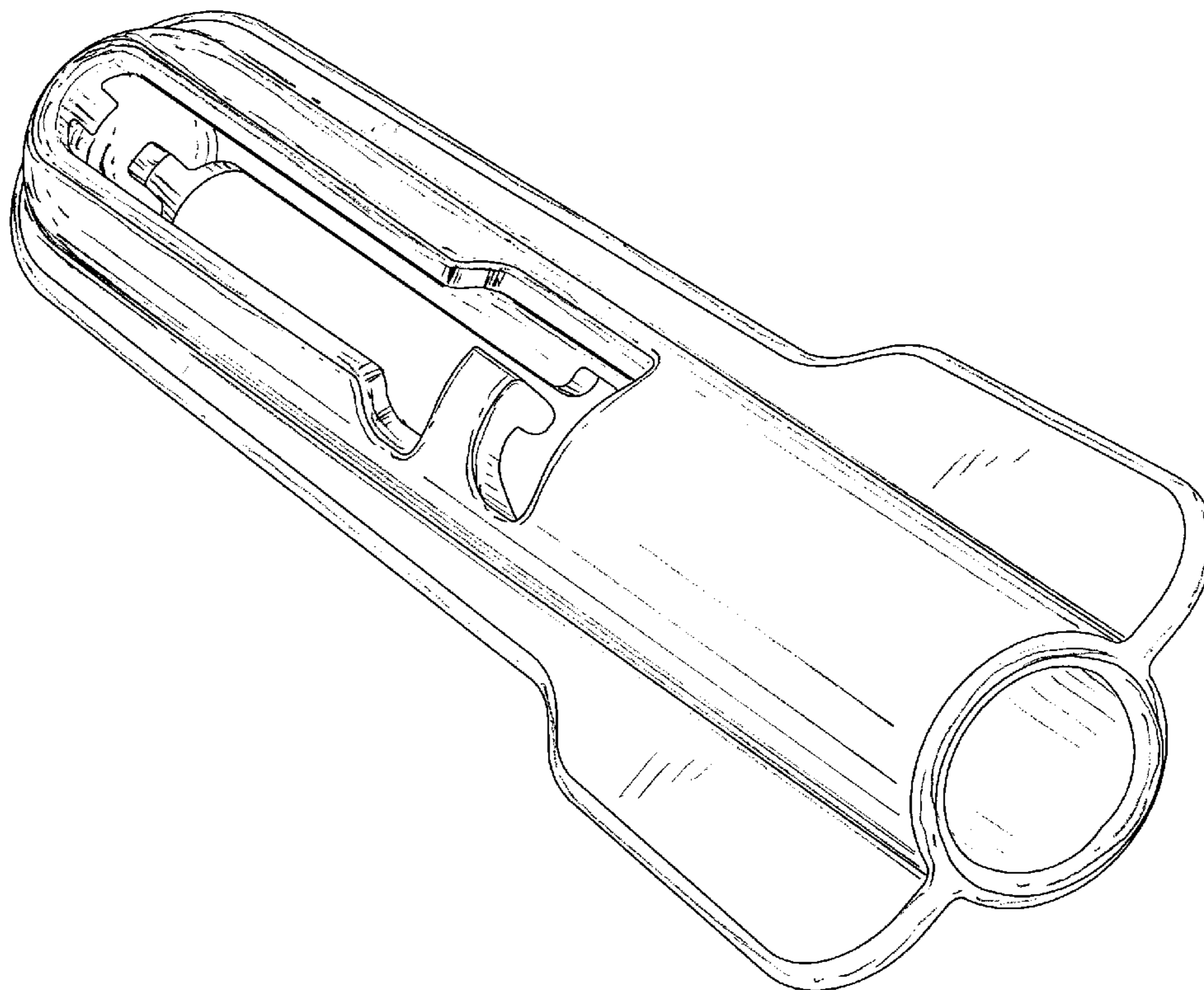
FIG. 4 is a front elevational view thereof;

FIG. 5 is a rear elevational view thereof;

FIG. 6 is a left elevational view thereof; and,

FIG. 7 is a bottom plan view thereof.

1 Claim, 4 Drawing Sheets



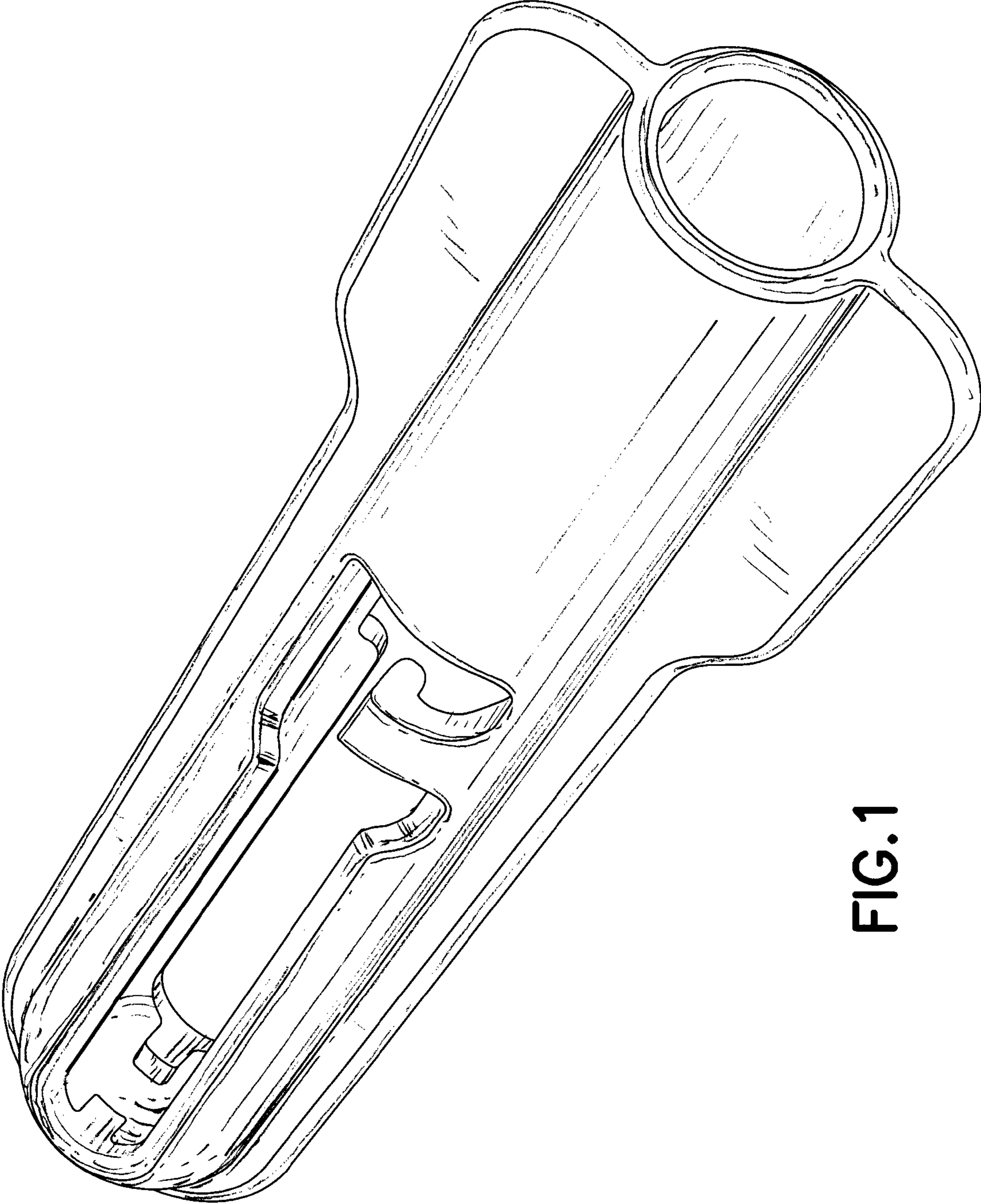


FIG. 1

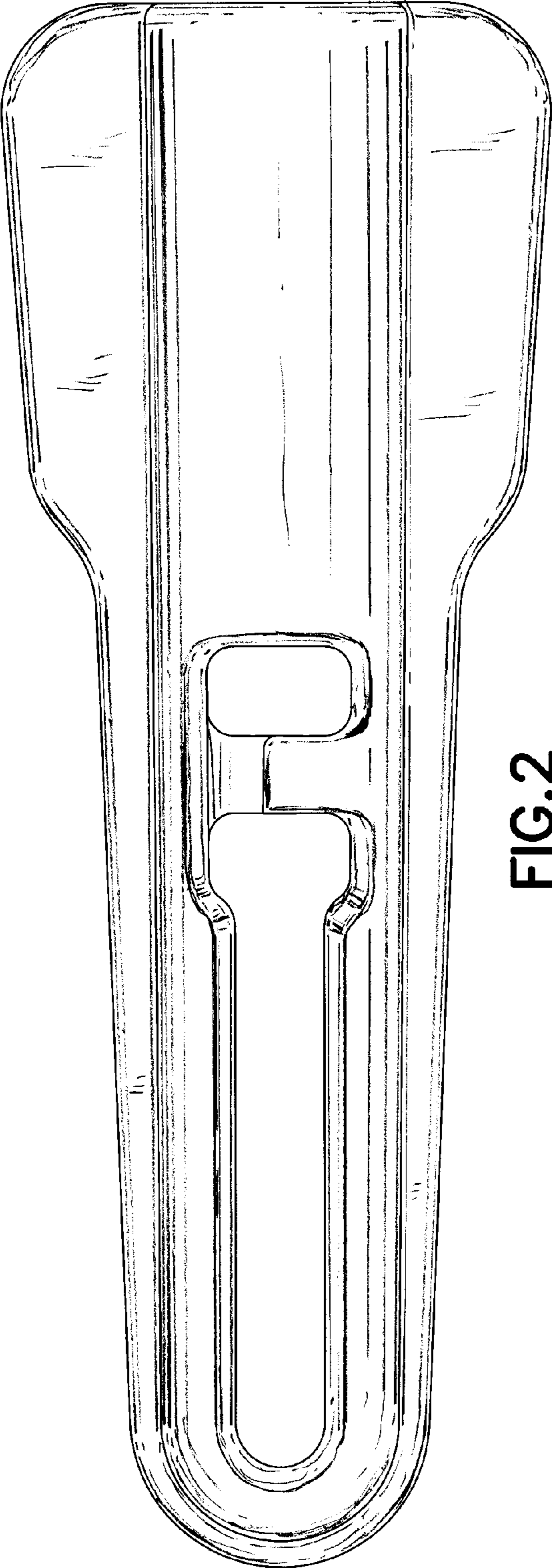


FIG. 2

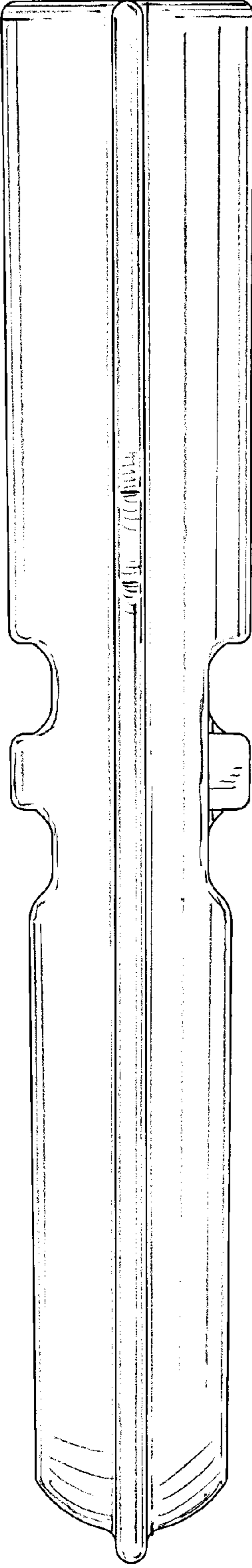


FIG. 3

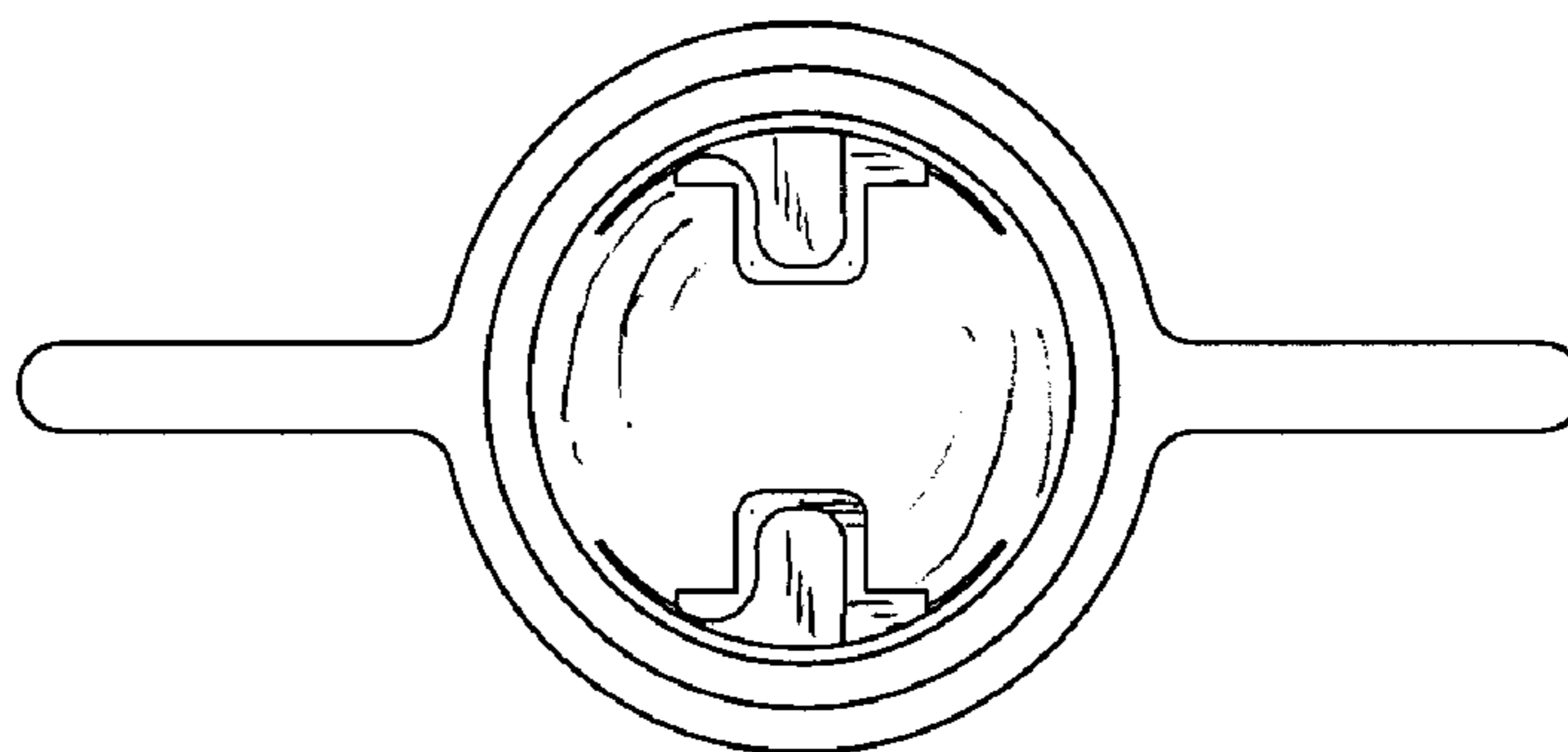


FIG. 4

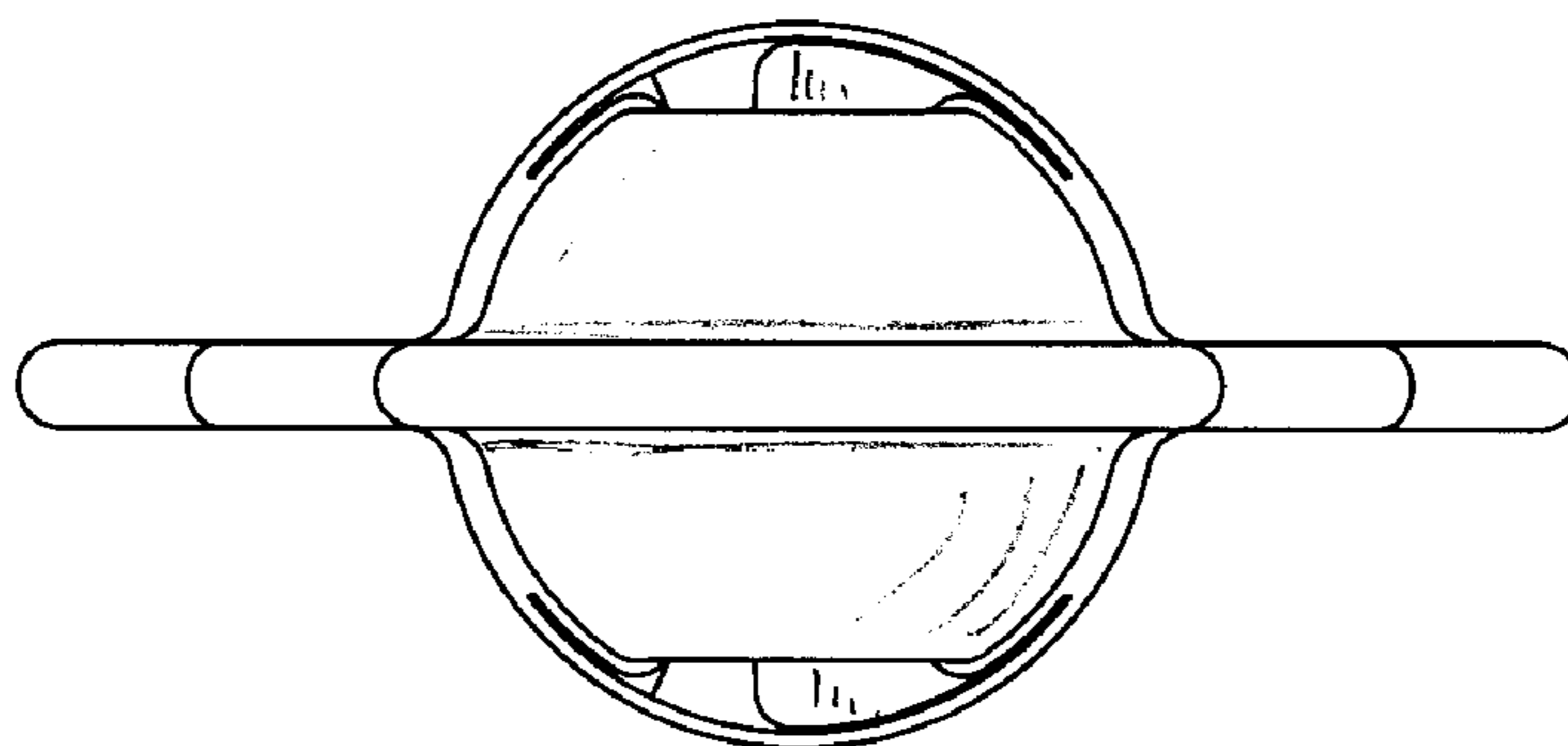


FIG. 5

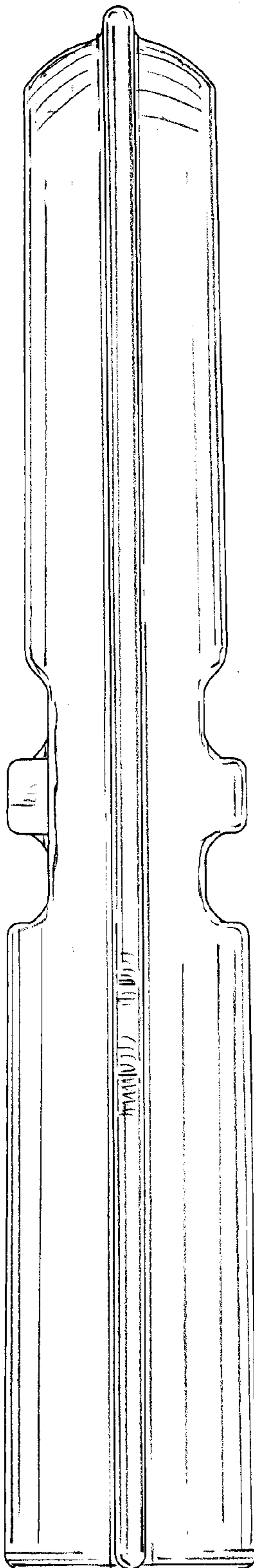


FIG. 6

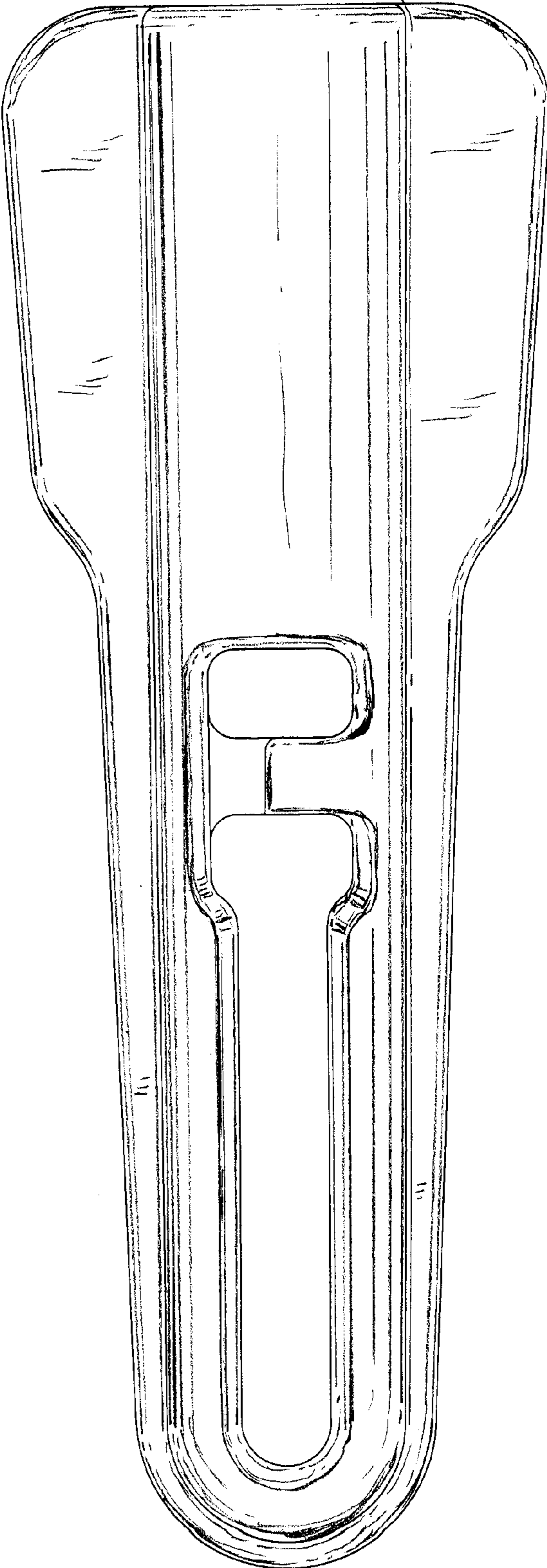


FIG. 7