

US00D600107S

(12) **United States Design Patent**
Stewart et al.

(10) **Patent No.:** **US D600,107 S**

(45) **Date of Patent:** **** Sep. 15, 2009**

(54) **CINCHING DEVICE**

(76) Inventors: **Anna M. Stewart**, 692 Highland Ave. NE, Atlanta, GA (US) 30312; **Stephen Kraigh Stewart**, 082 Highland Ave. NE, Atlanta, GA (US) 30312

(**) Term: **14 Years**

(21) Appl. No.: **29/323,692**

(22) Filed: **Aug. 29, 2008**

(51) **LOC (9) Cl.** **08-08**

(52) **U.S. Cl.** **D8/383; D8/394**

(58) **Field of Classification Search** D8/383, D8/356, 394; 24/16 PB, 17 AP, 300; 248/205.3
See application file for complete search history.

(56) **References Cited**

U.S. PATENT DOCUMENTS

D29,310	S	*	9/1898	Goode	D8/356
D289,141	S	*	4/1987	Tunno et al.	D8/396
D297,810	S	*	9/1988	Stafford	D8/354
D368,853	S	*	4/1996	Liu et al.	D8/394
5,774,944	A	*	7/1998	Choi	24/16 PB
D510,856	S	*	10/2005	Cheung	D8/394
7,062,820	B1	*	6/2006	Oestreich et al.	24/16 PB
D541,142	S	*	4/2007	Geiger	D8/383
7,356,884	B2	*	4/2008	Packard et al.	24/16 PB

* cited by examiner

Primary Examiner—Holly H Baynham

Assistant Examiner—Sheryl Lane

(74) *Attorney, Agent, or Firm*—Smith Frohwein Tempel Greenlee Blaha, LLC; Gregory Scott Smith

(57) **CLAIM**

The ornamental design for a cinching device, as shown and described.

DESCRIPTION

FIG. 1 is a front elevation view of my new ornamental design for a cinching device;

FIG. 2 is a left-side elevation view of the ornamental design for a cinching device shown in FIG. 1;

FIG. 3 is a right-side elevation view of the ornamental design for a cinching device shown in FIG. 1;

FIG. 4 is a top-side elevation view of the ornamental design for a cinching device shown in FIG. 1;

FIG. 5 is a bottom-side elevation view of the ornamental design for a cinching device shown in FIG. 1;

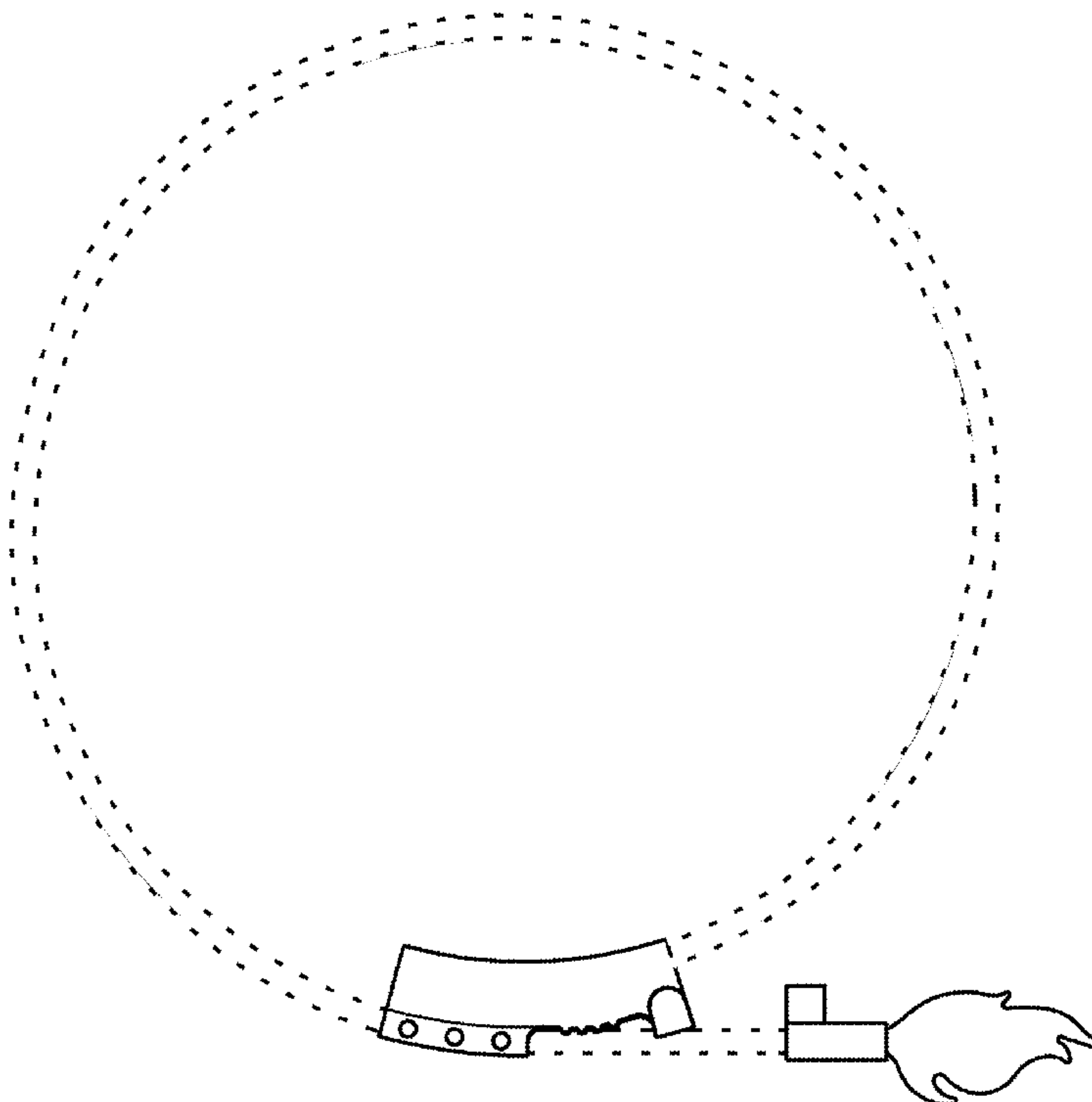
FIG. 6 is a close-up view of the cinching device element as shown in FIG. 1;

FIG. 7 is a front-oriented perspective view of the ornamental design for a cinching device shown in FIG. 1; and,

FIG. 8 is a back-oriented perspective view of the ornamental design for a cinching device shown in FIG. 1.

The disclosed embodiment can also be mirror imaged. The broken lines are not part of the invention but rather are used to show an environment for the invention.

1 Claim, 5 Drawing Sheets



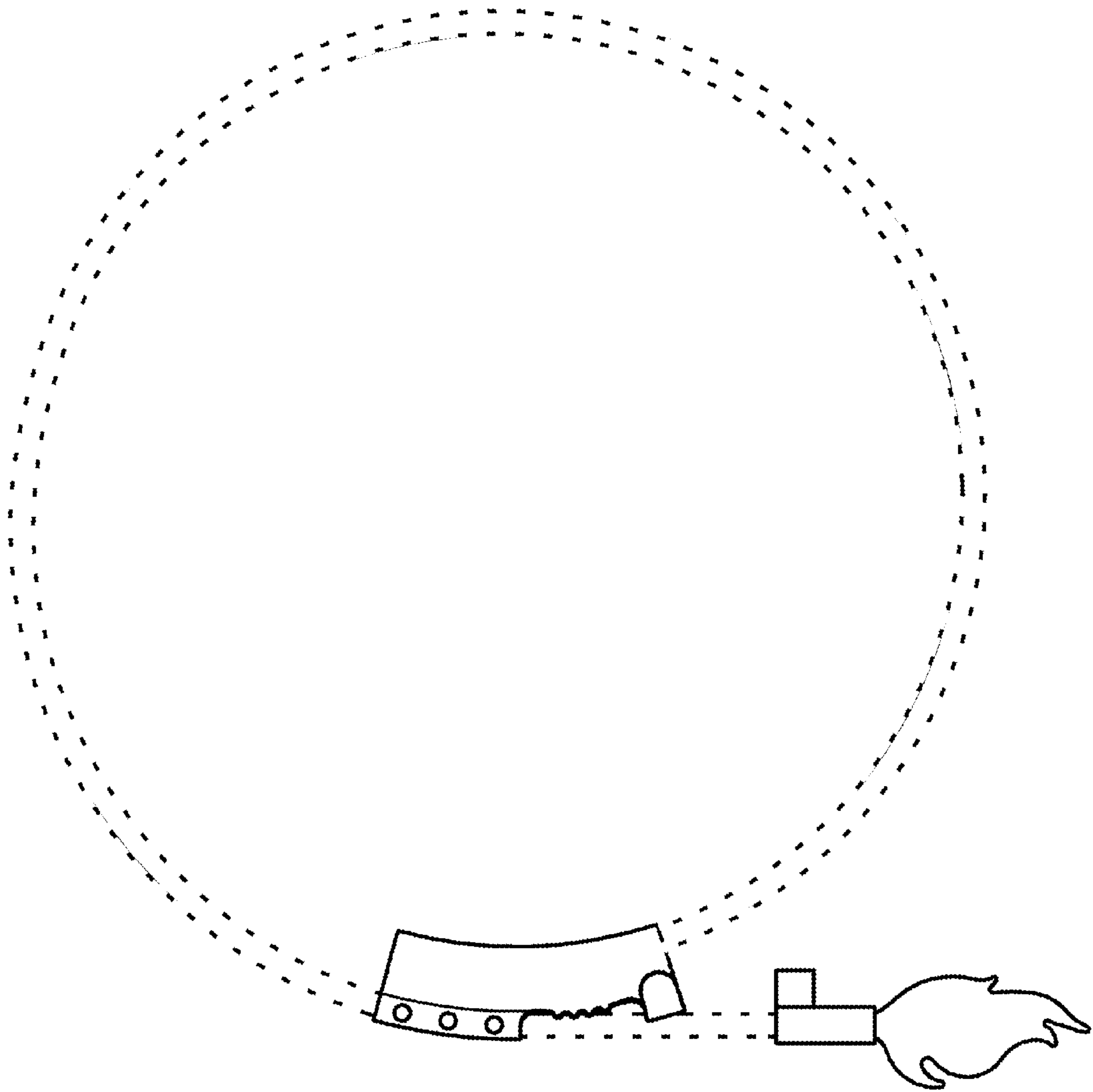
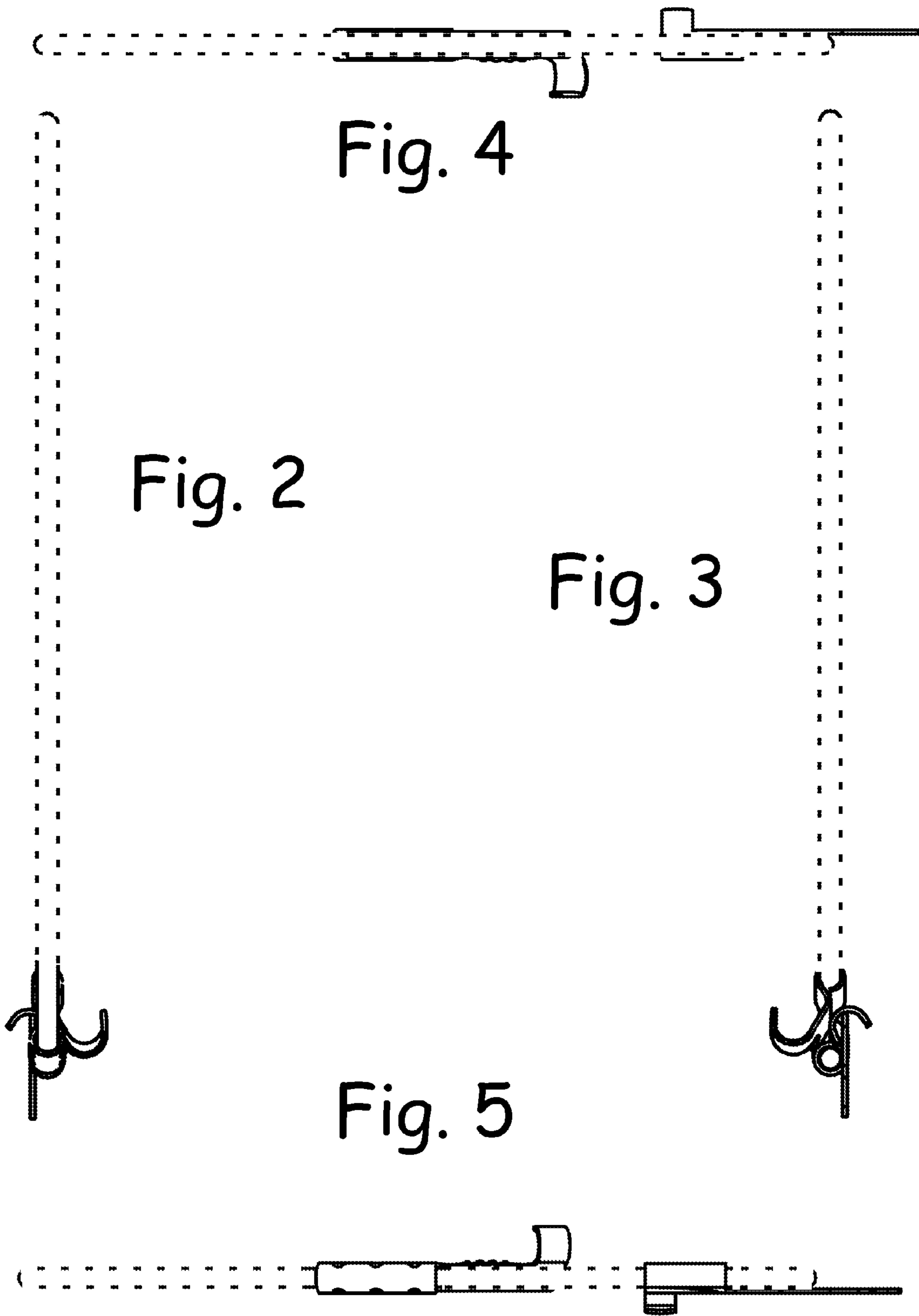


Fig. 1



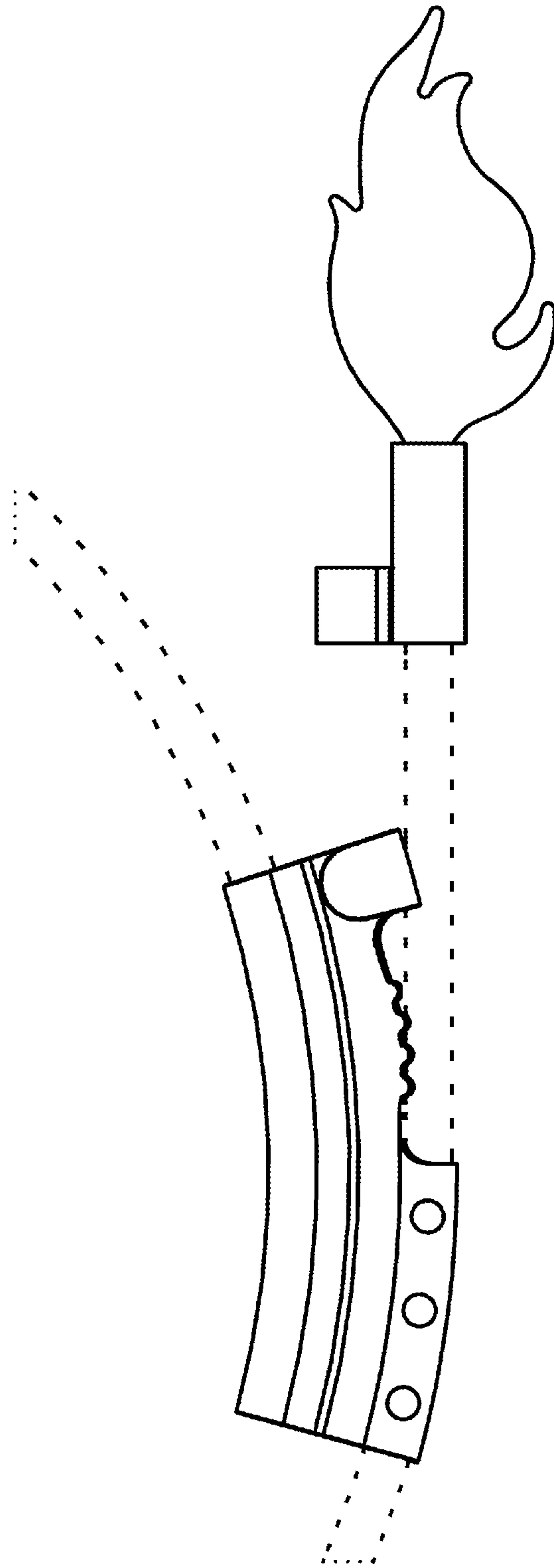


Fig. 6

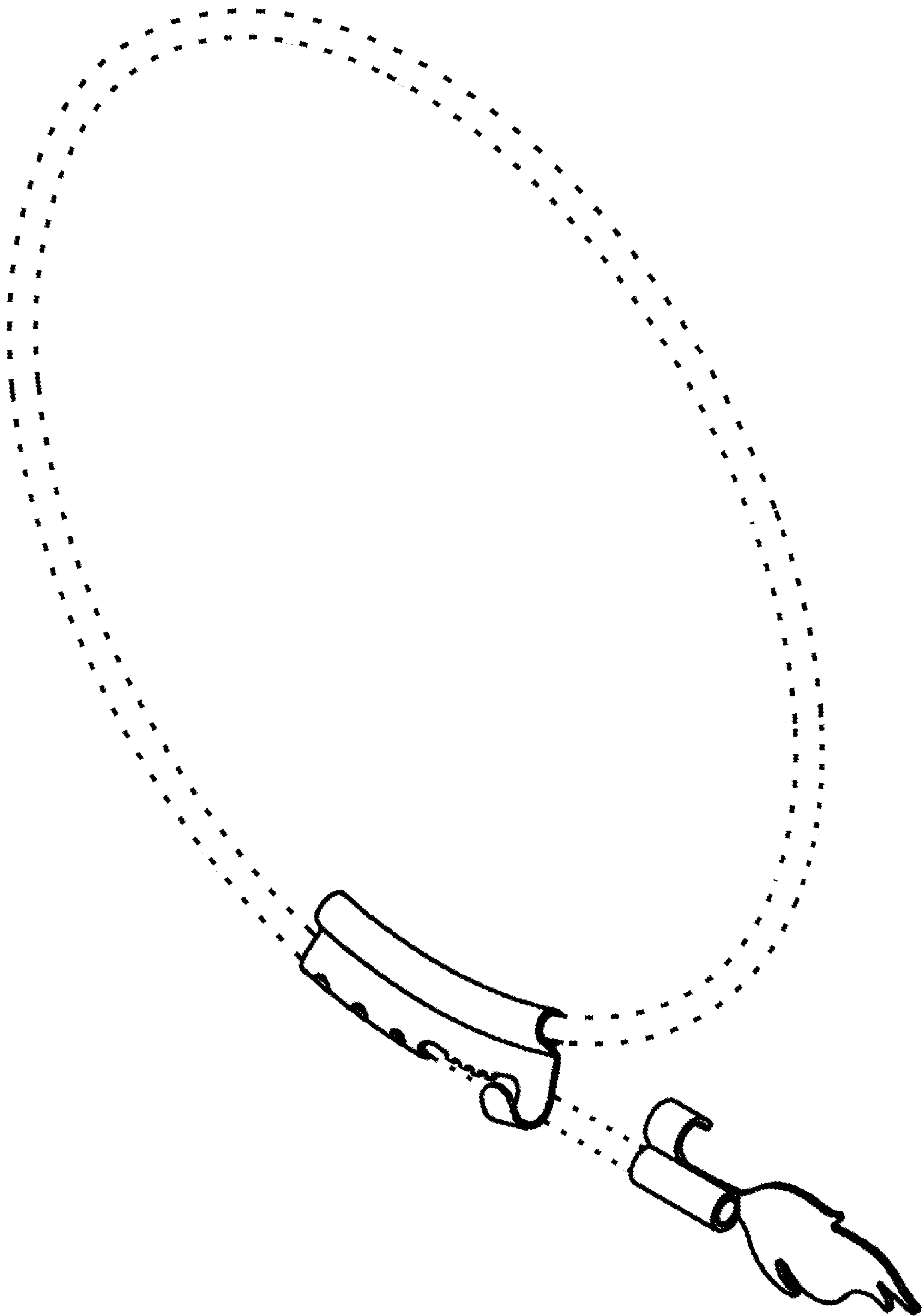


Fig. 7

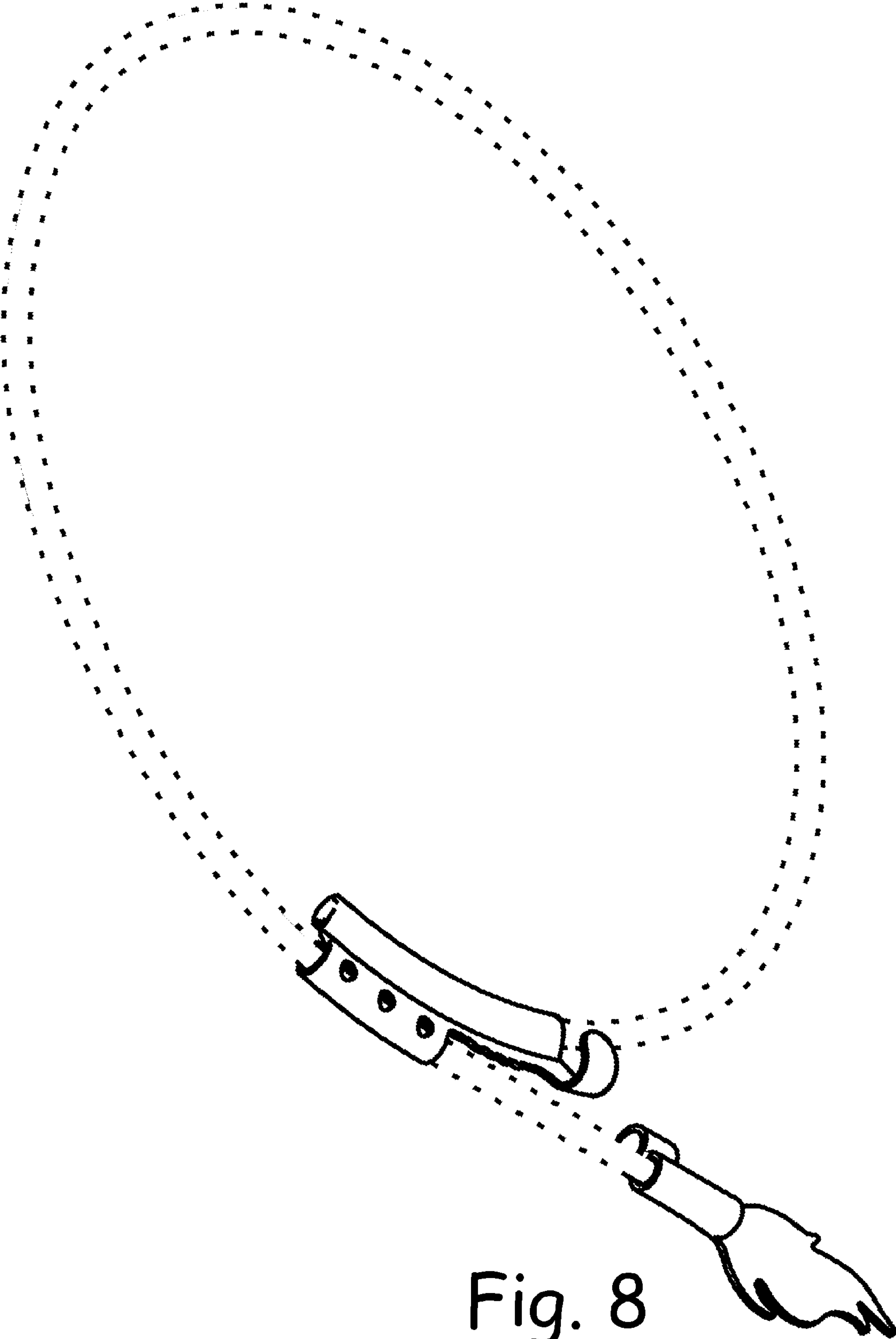


Fig. 8