



US00D600106S

(12) **United States Design Patent**  
**Berney**

(10) **Patent No.:** **US D600,106 S**  
(45) **Date of Patent:** **\*\* Sep. 15, 2009**

(54) **TIE-DOWN SWIVEL**

- (75) Inventor: **Brian J. Berney**, Keller, TX (US)
- (73) Assignee: **Ed Tucker Distributor, Inc.**, Fort Worth, TX (US)
- (\*\*) Term: **14 Years**
- (21) Appl. No.: **29/332,716**
- (22) Filed: **Feb. 24, 2009**

**Related U.S. Application Data**

(63) Continuation of application No. 12/110,134, filed on Apr. 25, 2008.

(51) **LOC (9) Cl.** ..... **08-08**

(52) **U.S. Cl.** ..... **D8/382; D8/356**

(58) **Field of Classification Search** ..... D8/382,  
D8/22, 356, 367, 372; 24/265 H, 265 R,  
24/599.5, 599.9, 600.1, 600.8

See application file for complete search history.

(56) **References Cited**

**U.S. PATENT DOCUMENTS**

765,812 A 7/1904 Carlson

(Continued)

**OTHER PUBLICATIONS**

International Search Report in PCT Patent Application No. PCT/US2009/037086, dated May 5, 2009.

(Continued)

*Primary Examiner*—Holly H Baynham

*Assistant Examiner*—Sheryl Lane

(74) *Attorney, Agent, or Firm*—Gardere Wynne Sewell LLP

(57) **CLAIM**

The ornamental design for a tie-down swivel, as shown and described.

**DESCRIPTION**

FIG. 1 is a perspective view of a tie-down swivel in accordance with my invention;

FIG. 2 is a top plan view of the tie-down swivel shown in FIG. 1;

FIG. 3 is a bottom plan view of the tie-down swivel shown in FIG. 1;

FIG. 4 is a right side view of the tie-down swivel shown in FIG. 1;

FIG. 5 is a left side view of the tie-down swivel shown in FIG. 1;

FIG. 6 is a left end view of the tie-down swivel shown in FIG. 1;

FIG. 7 is a right end view of the tie-down swivel shown in FIG. 1;

FIG. 8 is another perspective view of the tie-down swivel shown in FIG. 1 shown with additional context;

FIG. 9 is yet another perspective view of the tie-down swivel shown in FIG. 1 shown with additional context;

FIG. 10 is another perspective view of the tie-down swivel shown in FIG. 1 in a different context;

FIG. 11 is a top plan view of the tie-down swivel shown in FIG. 9;

FIG. 12 is a bottom plan view of the tie-down swivel shown in FIG. 9;

FIG. 13 is a right side view of the tie-down swivel shown in FIG. 9;

FIG. 14 is a left side view of the tie-down swivel shown in FIG. 9;

FIG. 15 is a left end view of the tie-down swivel shown in FIG. 9;

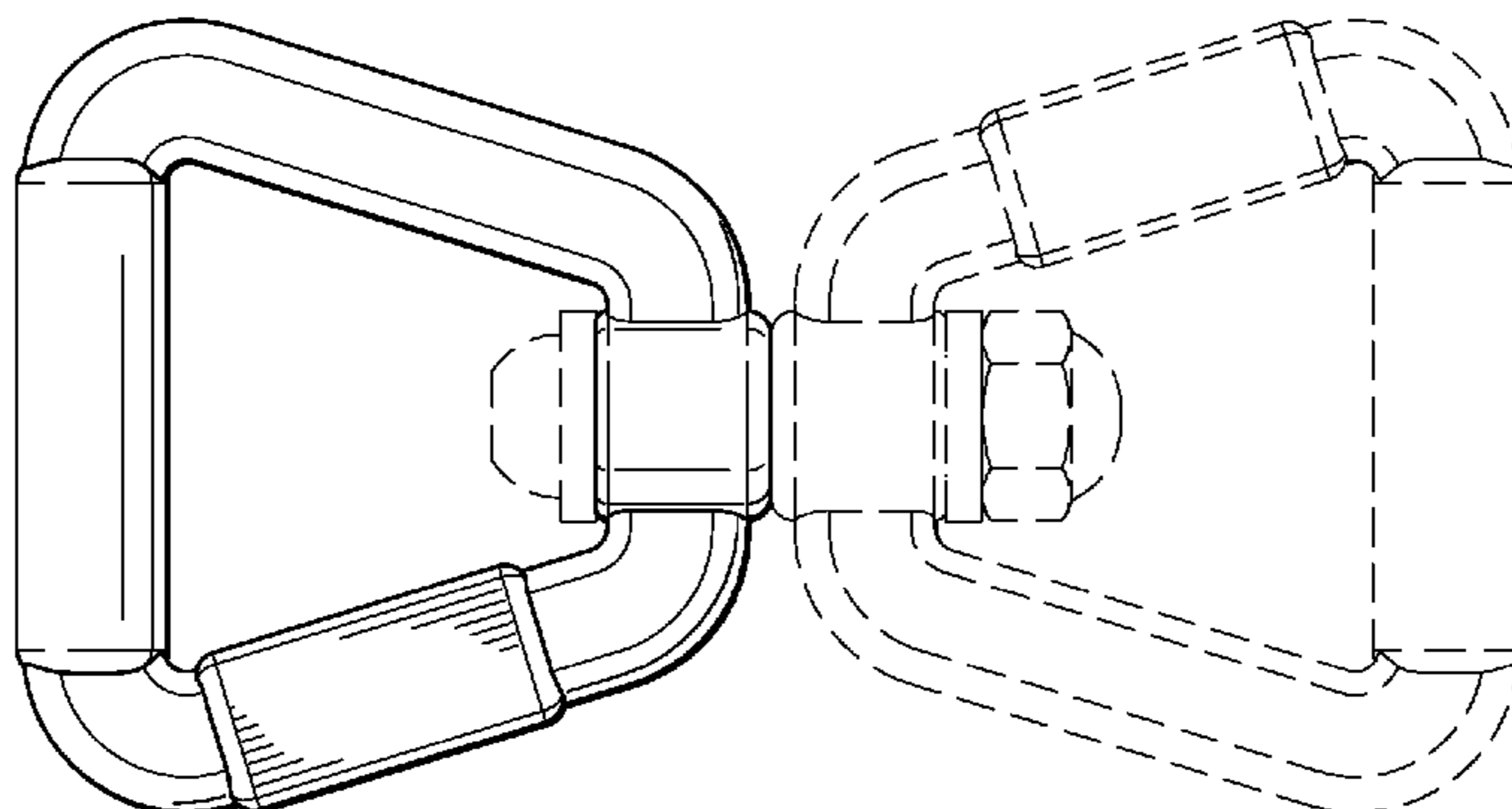
FIG. 16 is a right end view of the tie-down swivel shown in FIG. 9;

FIG. 17 is another perspective view of the tie-down swivel shown in FIG. 9 shown with additional context; and,

FIG. 18 is yet another perspective view of the tie-down swivel shown in FIG. 9 also shown with additional context.

The broken line showing of the tie down swivel is included for the purpose of illustrating portions of the article and forms no part of the claimed design.

**1 Claim, 6 Drawing Sheets**



# US D600,106 S

Page 2

## U.S. PATENT DOCUMENTS

1,889,633 A 11/1932 Butterworth  
D249,327 S 9/1978 Gaines  
4,577,374 A 3/1986 Lii  
5,253,396 A 10/1993 Rekuc et al.  
D342,665 S \* 12/1993 Rekuc ..... D8/367  
5,274,887 A 1/1994 Fudaki  
5,365,642 A 11/1994 Rekuc et al.  
5,398,389 A 3/1995 Terada et al.  
5,438,736 A 8/1995 Terada et al.  
5,450,661 A 9/1995 Rekuc  
5,475,901 A 12/1995 Anscher  
5,671,514 A 9/1997 Matoba et al.  
D413,252 S \* 8/1999 Striebel ..... D8/367  
D413,789 S 9/1999 Striebel

6,550,413 B2 4/2003 Fiorentino et al.  
6,694,574 B1 2/2004 Sheng  
D491,049 S \* 6/2004 Kung ..... D8/367  
D496,251 S \* 9/2004 Buscart ..... D8/356  
D500,244 S 12/2004 Yoshiguchi  
D565,392 S \* 4/2008 Shetler ..... D8/356  
7,353,571 B2 \* 4/2008 Goldberg ..... 24/599.6  
2006/0248686 A1 11/2006 Cook  
2008/0022497 A1 \* 1/2008 Thompson ..... 24/598.1

## OTHER PUBLICATIONS

Written Opinion of the International Search Authority in PCT  
Application No. PCT/US2009/37086, dated May 5, 2009.

\* cited by examiner

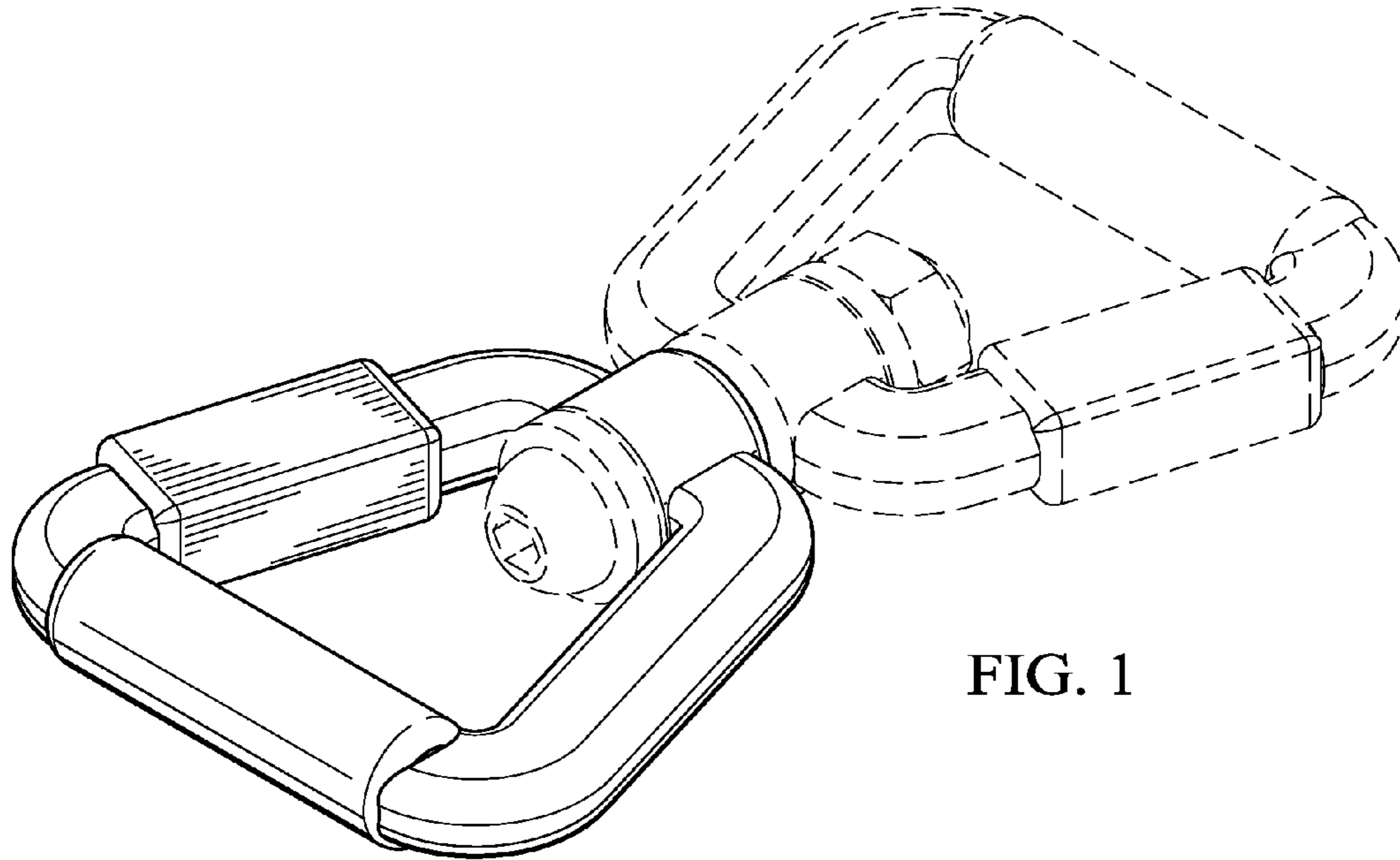


FIG. 1

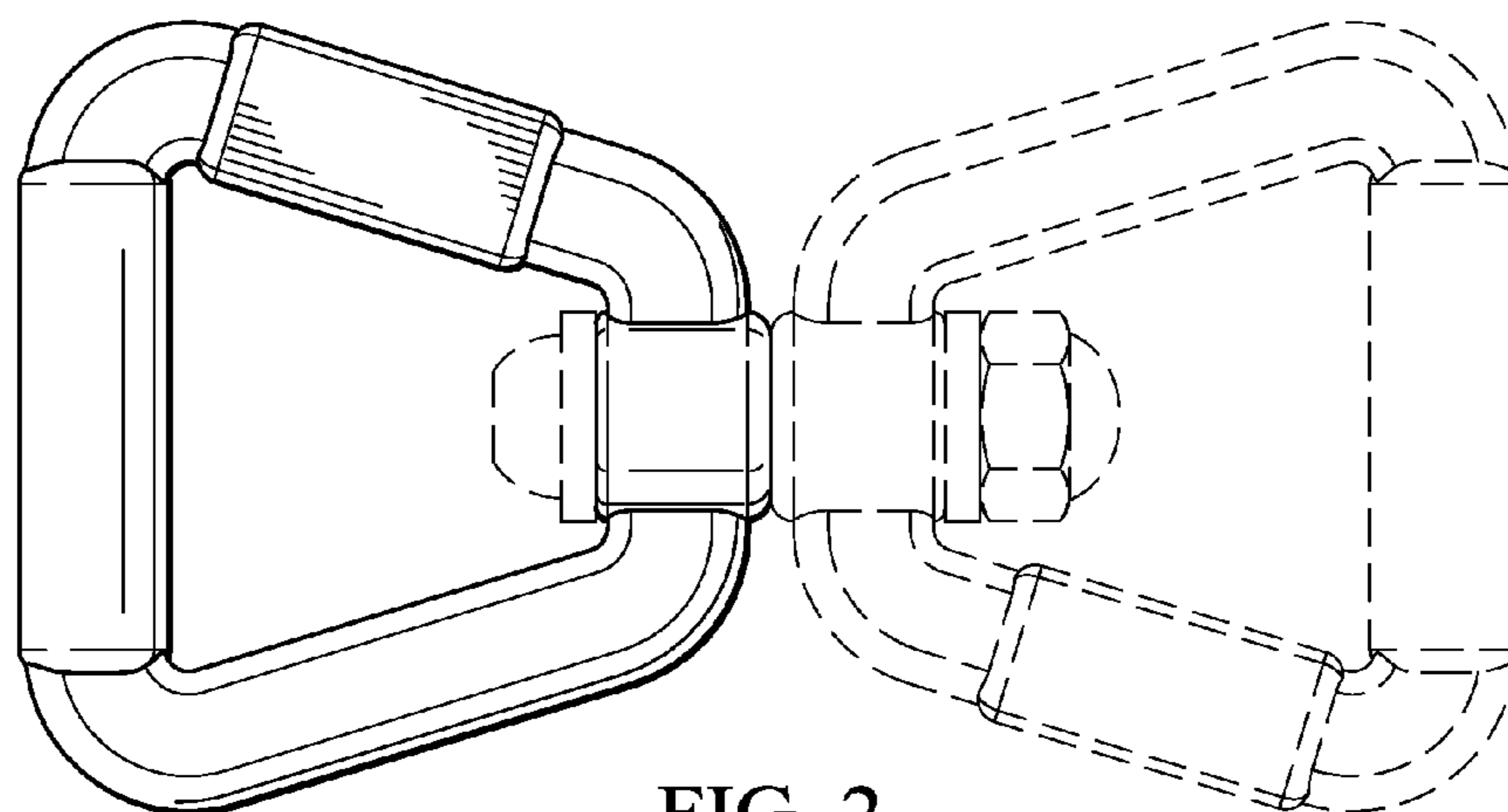


FIG. 2

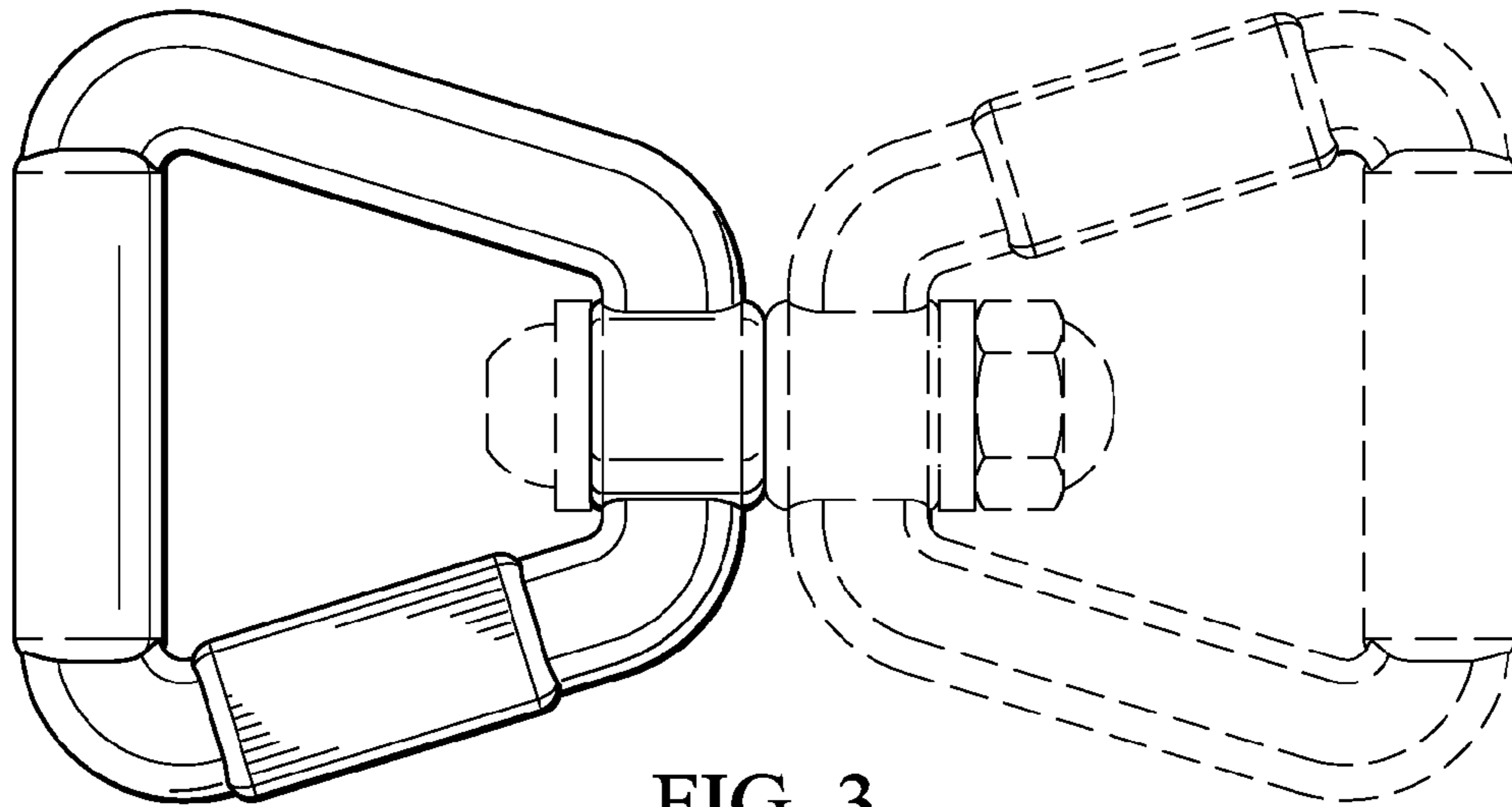


FIG. 3

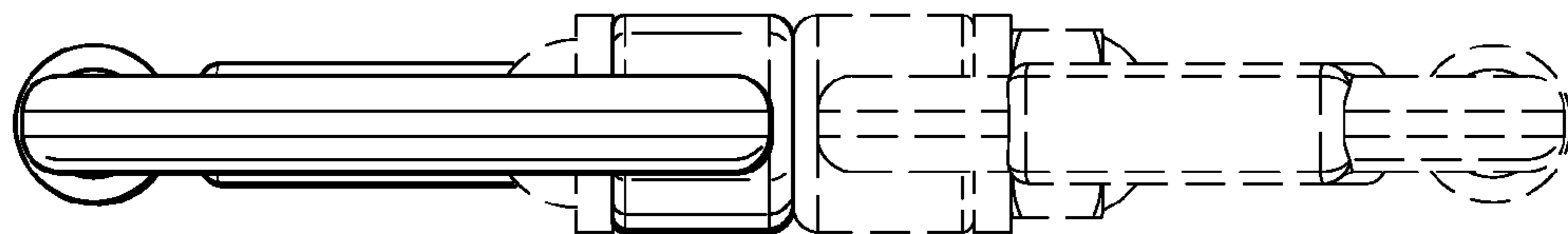


FIG. 4

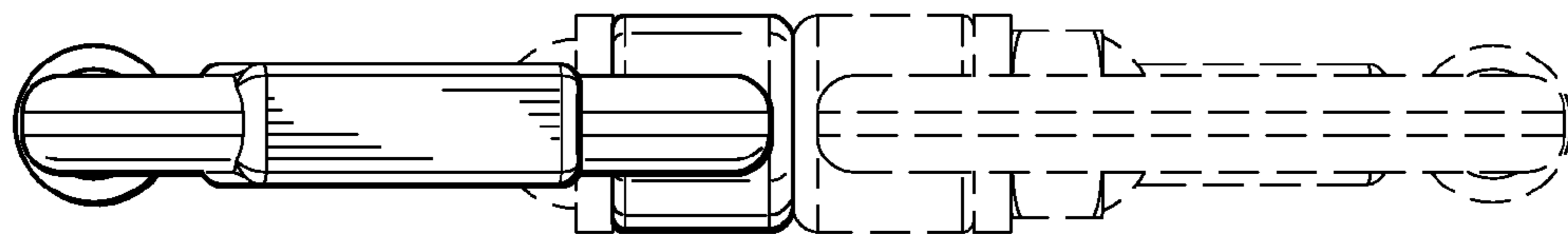


FIG. 5

FIG. 6

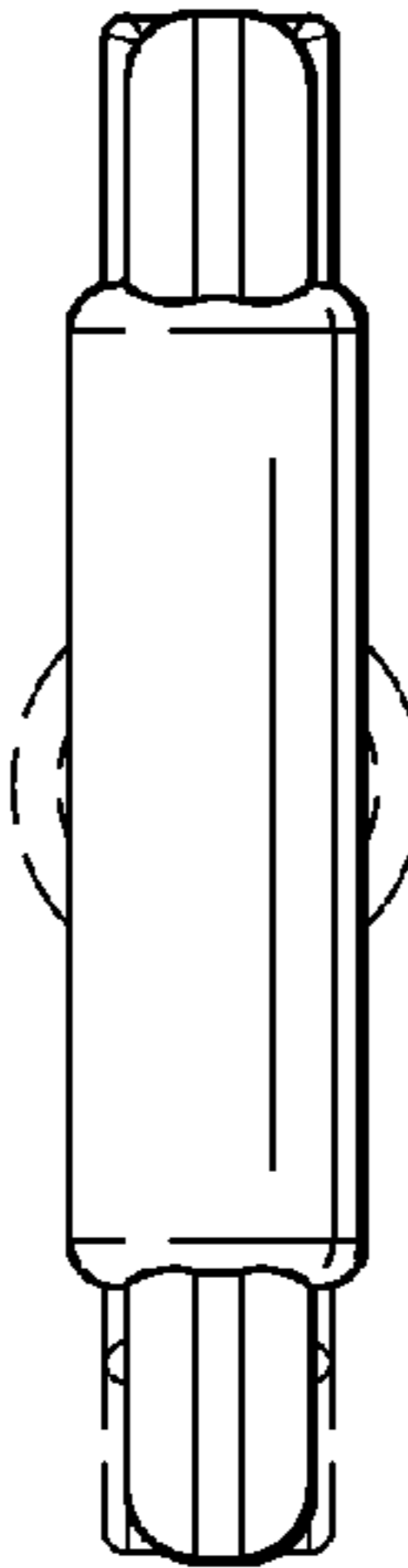


FIG. 7

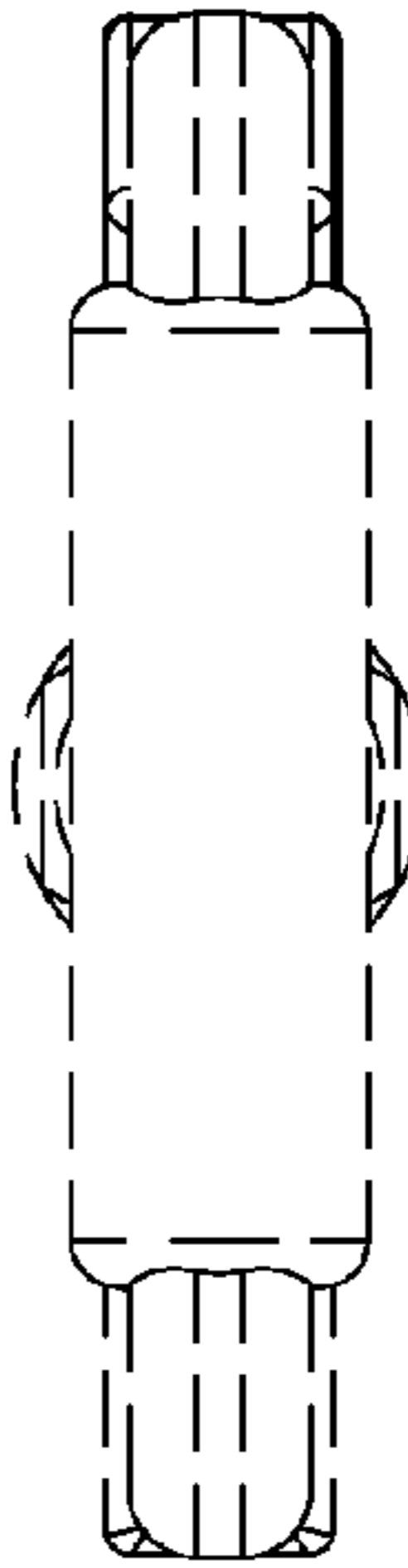


FIG. 8

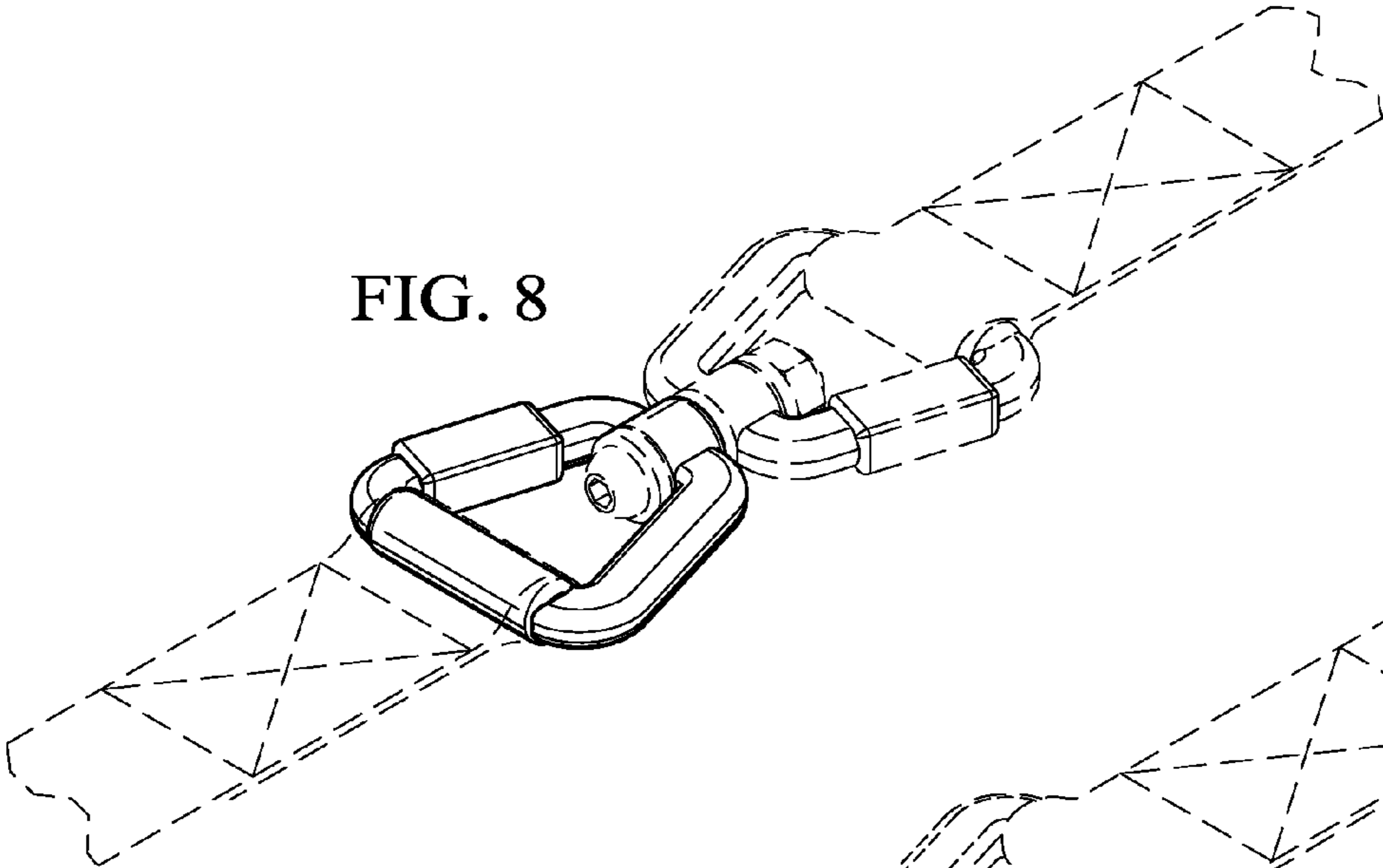
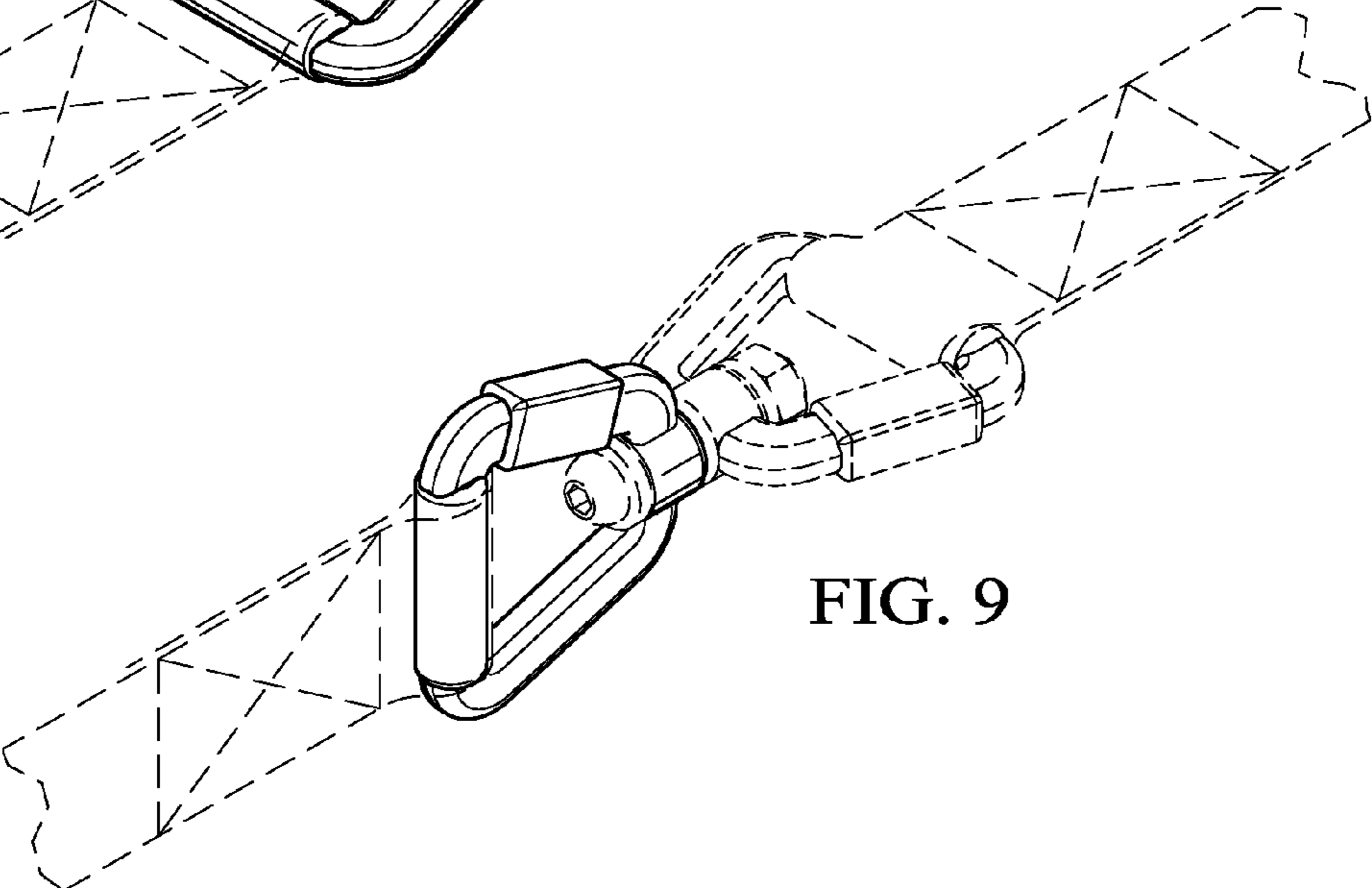


FIG. 9



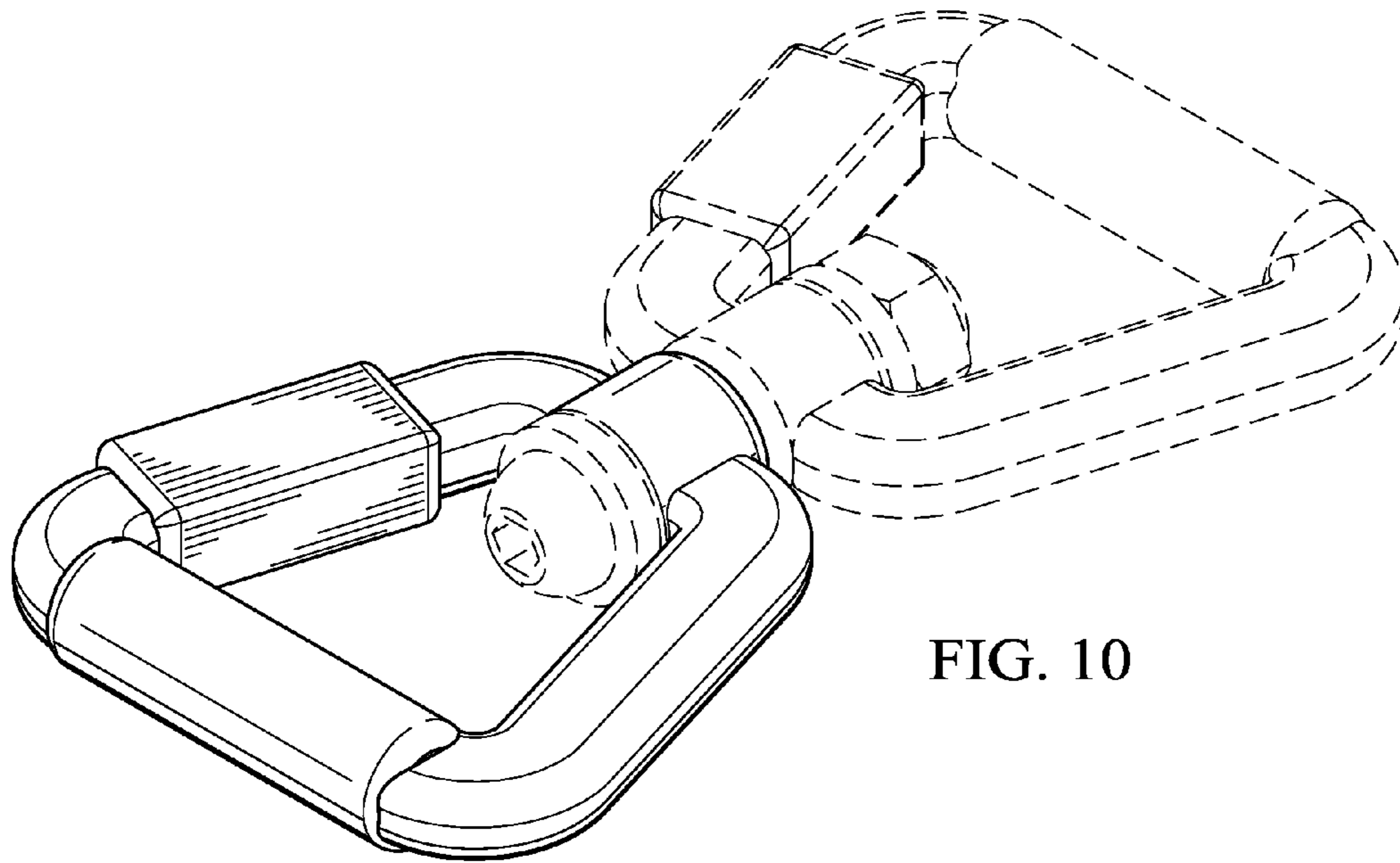


FIG. 10

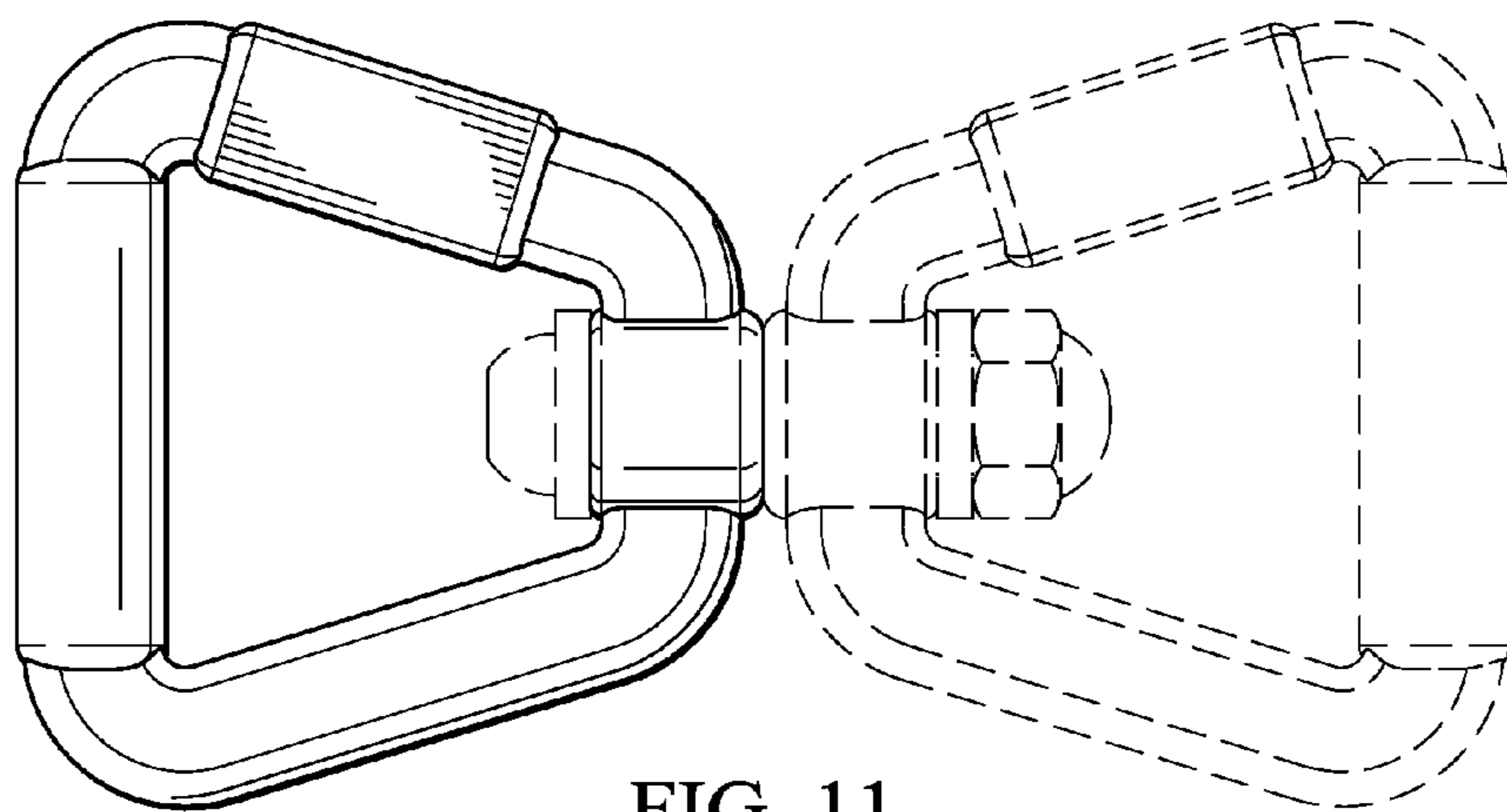


FIG. 11

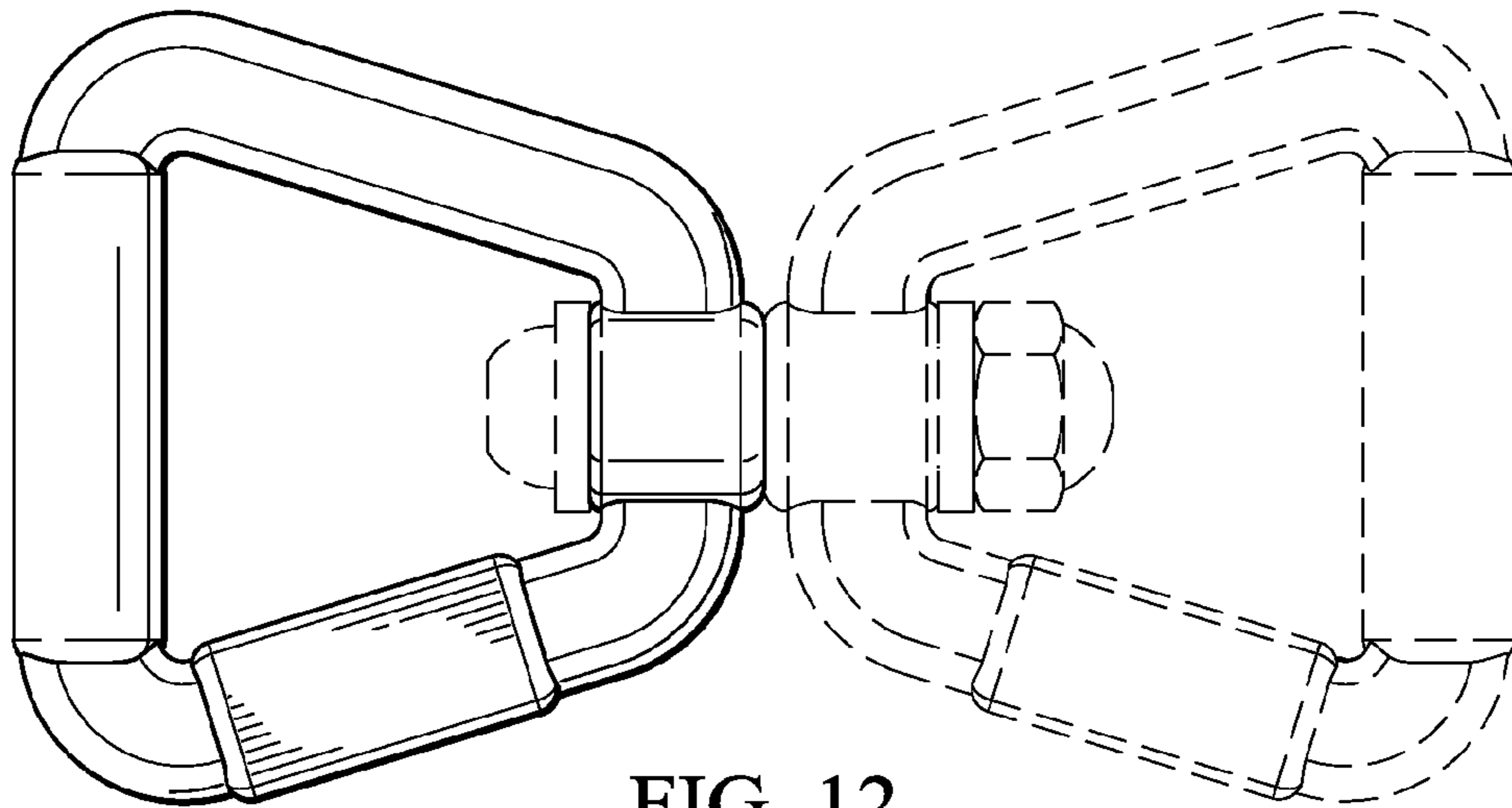


FIG. 12

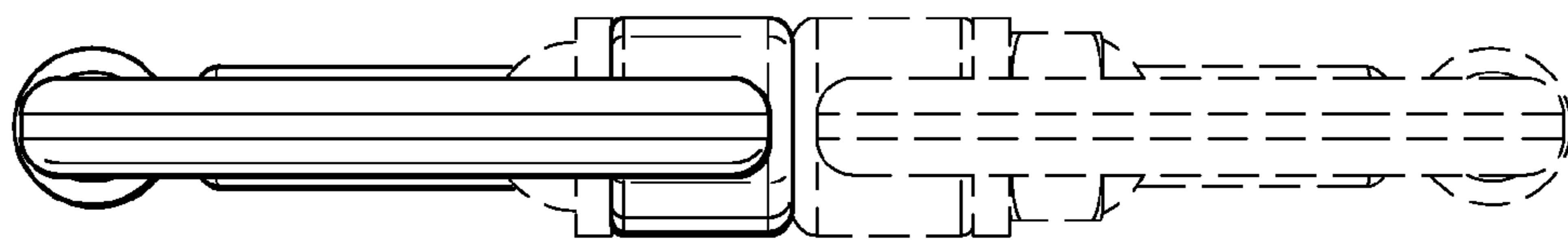


FIG. 13

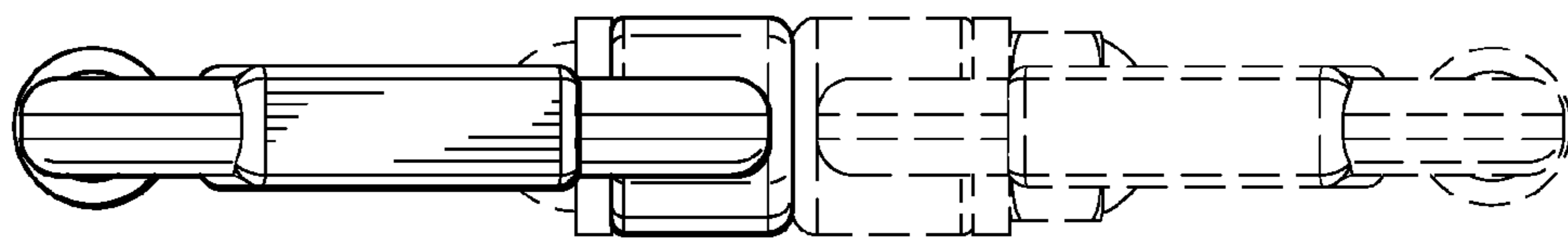


FIG. 14

FIG. 15

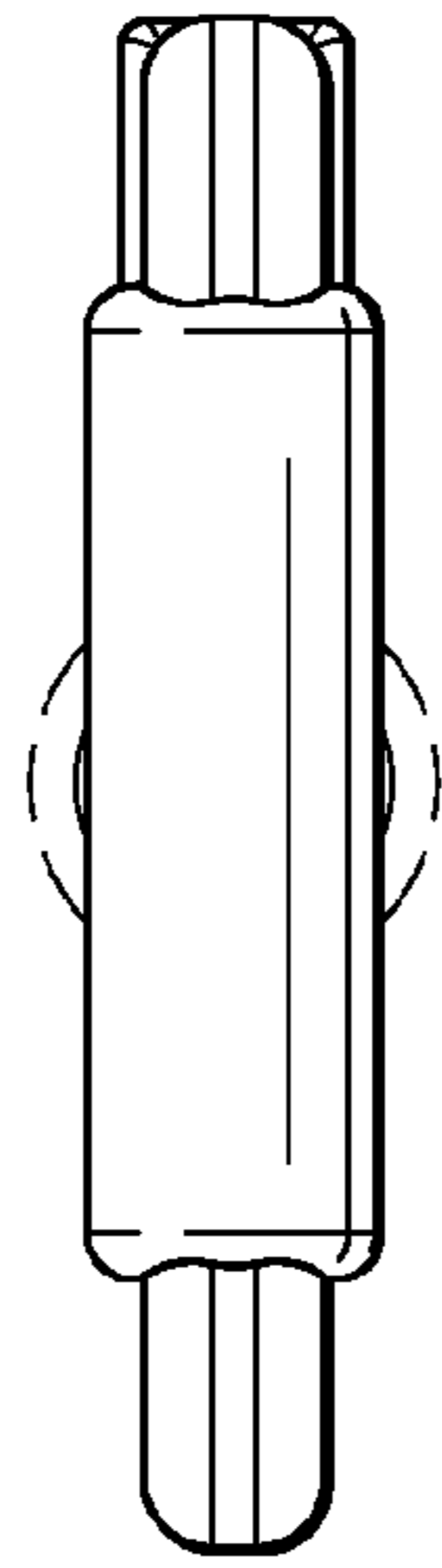


FIG. 16

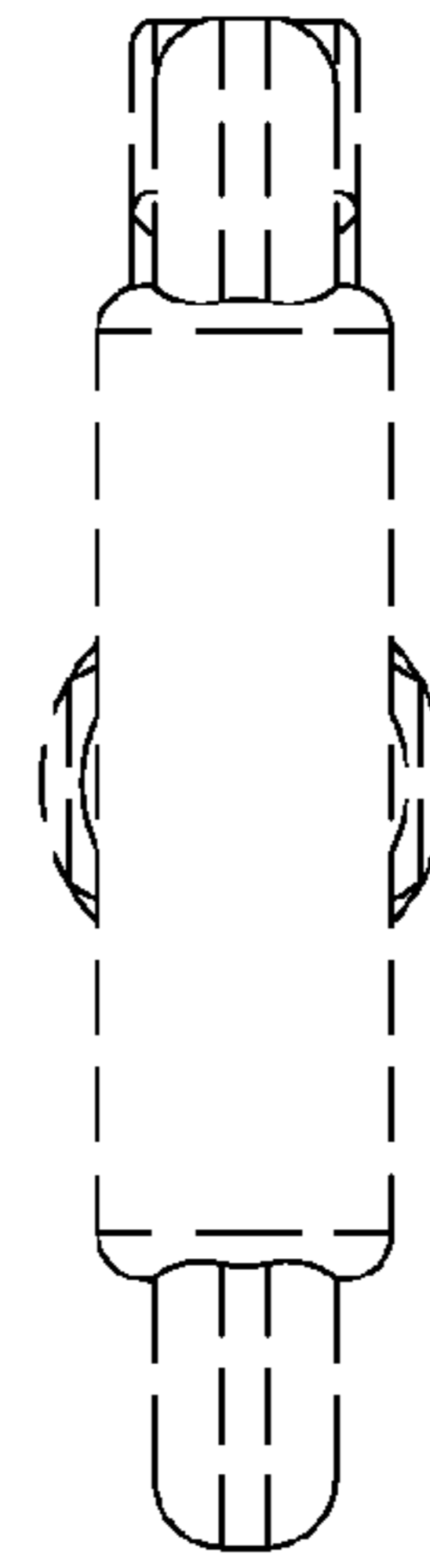


FIG. 17

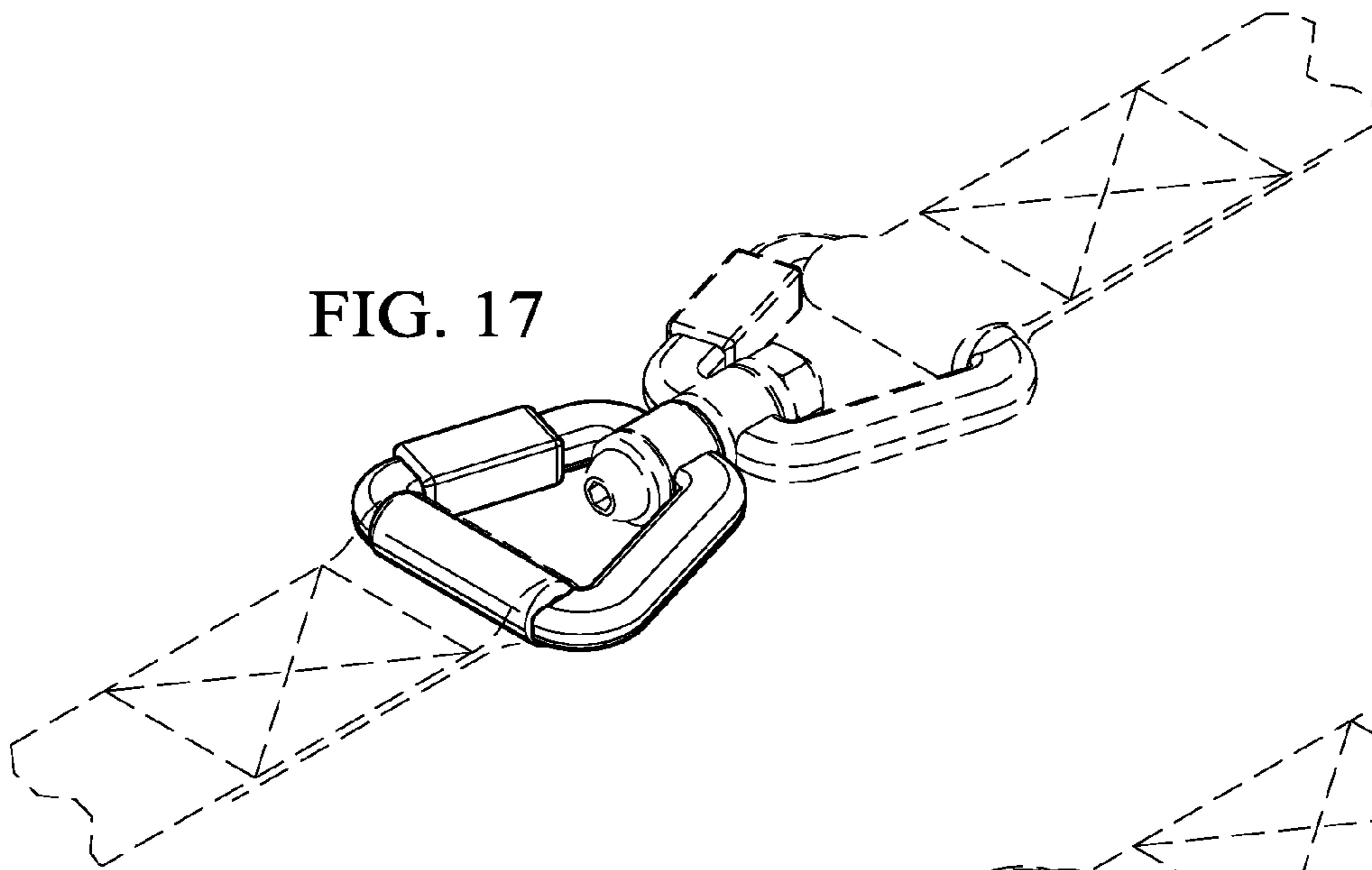


FIG. 18

