



US00D600105S

(12) **United States Design Patent**
Harris

(10) **Patent No.:** **US D600,105 S**

(45) **Date of Patent:** **** Sep. 15, 2009**

(54) **DECK BOARD FASTENER**

(76) Inventor: **G. Steven Harris**, 4915 W. 120th Pl.,
Overland Park, KS (US) 66209

(**) Term: **14 Years**

(21) Appl. No.: **29/321,693**

(22) Filed: **Jul. 22, 2008**

(51) **LOC (9) Cl.** **08-08**

(52) **U.S. Cl.** **D8/382**

(58) **Field of Classification Search** D8/354,
D8/382, 349

See application file for complete search history.

(56) **References Cited**

U.S. PATENT DOCUMENTS

5,560,117	A *	10/1996	Tallman	33/526
D427,050	S *	6/2000	Bryan	D8/382
D485,160	S *	1/2004	Pelc	D8/382
D488,373	S *	4/2004	Eberle	D8/382
6,810,633	B2	11/2004	Harris		
7,052,200	B2	5/2006	Harris		
D547,169	S	7/2007	Harris		
7,251,918	B2 *	8/2007	Reif et al.	52/714
D562,119	S *	2/2008	Prichard et al.	D8/382
D568,147	S *	5/2008	Prichard et al.	D8/382

7,398,623	B2 *	7/2008	Martel et al.	52/489.2
D585,269	S *	1/2009	Prichard et al.	D8/382
7,516,586	B2 *	4/2009	Riccitelli	52/586.1

* cited by examiner

Primary Examiner—Holly H Baynham

Assistant Examiner—Sheryl Lane

(74) *Attorney, Agent, or Firm*—Berenato, White & Stavish,
LLC

(57) **CLAIM**

The ornamental design for a deck board fastener, as shown and described.

DESCRIPTION

FIG. 1 is a front, top and left perspective view of the deck board fastener according to the present invention.

FIG. 2 is a front view of the fastener of FIG. 1.

FIG. 3 is a rear view of the fastener of FIG. 1.

FIG. 4 is a left side view of the fastener of FIG. 1.

FIG. 5 is a right side view of the fastener of FIG. 1.

FIG. 6 is a top view of the fastener of FIG. 1; and,

FIG. 7 is a bottom view of the fastener of FIG. 1.

1 Claim, 1 Drawing Sheet

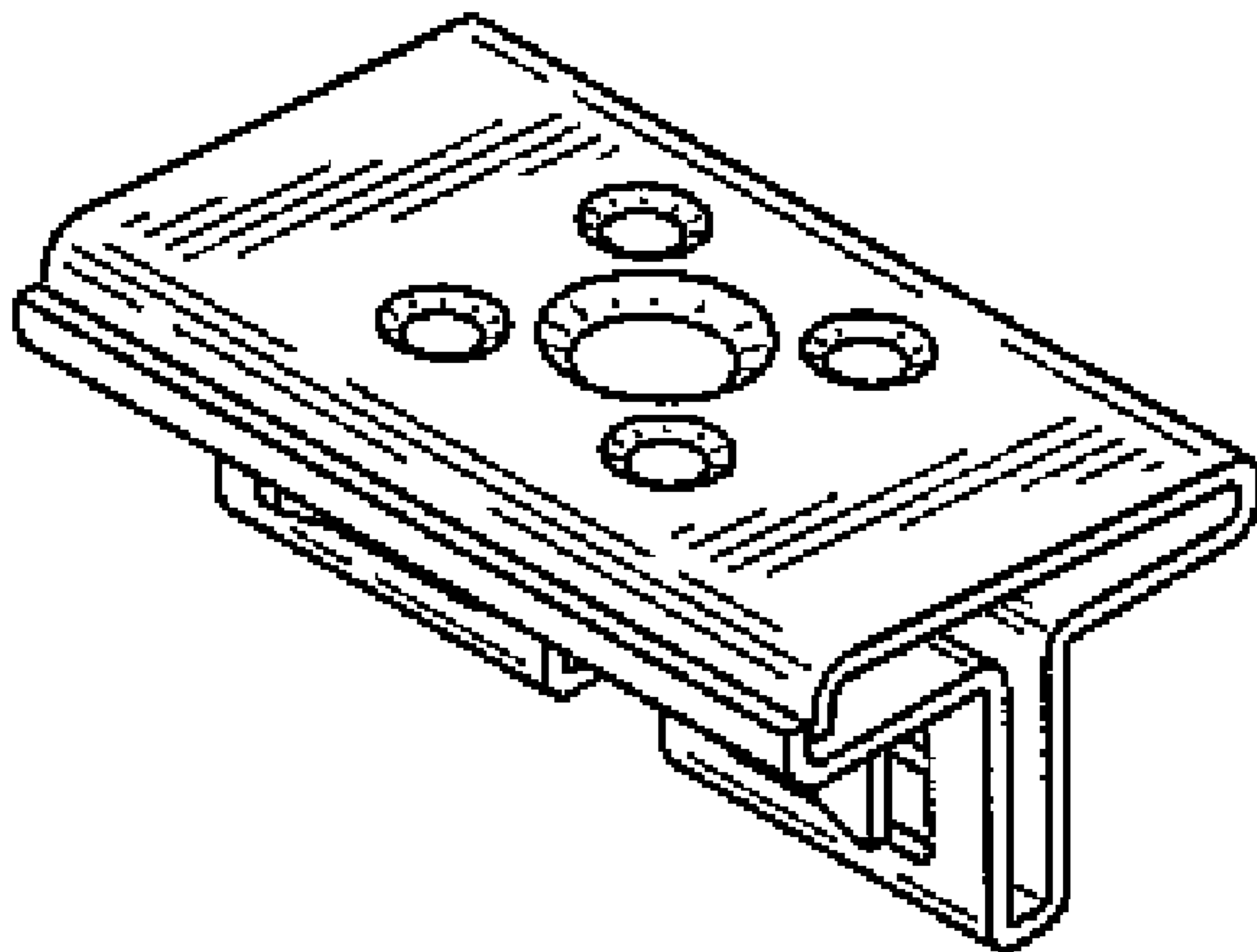


Fig. 1

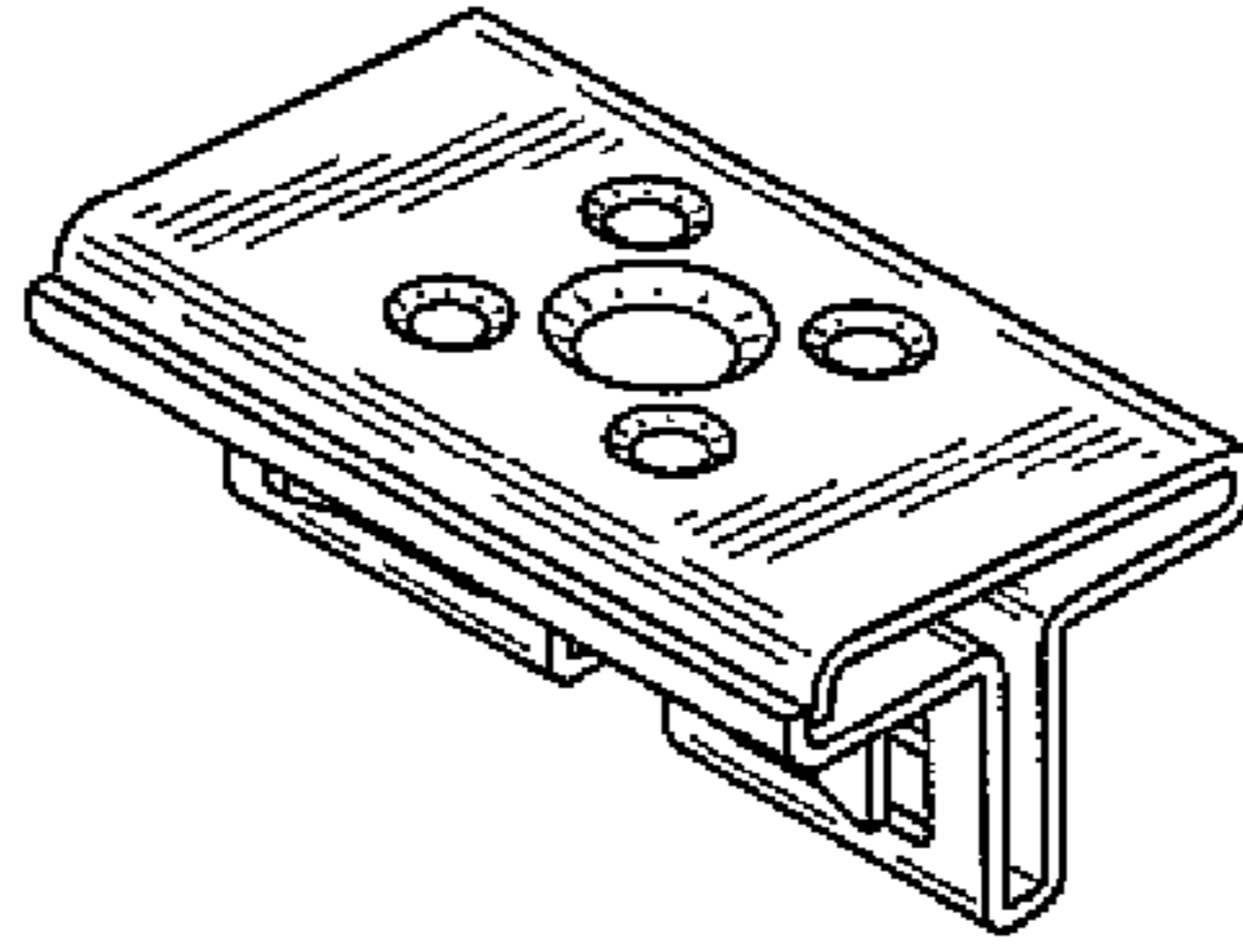


Fig. 2

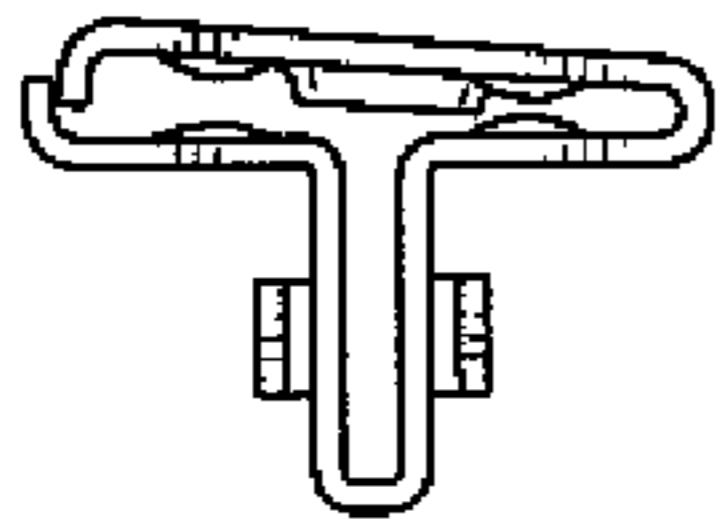


Fig. 3

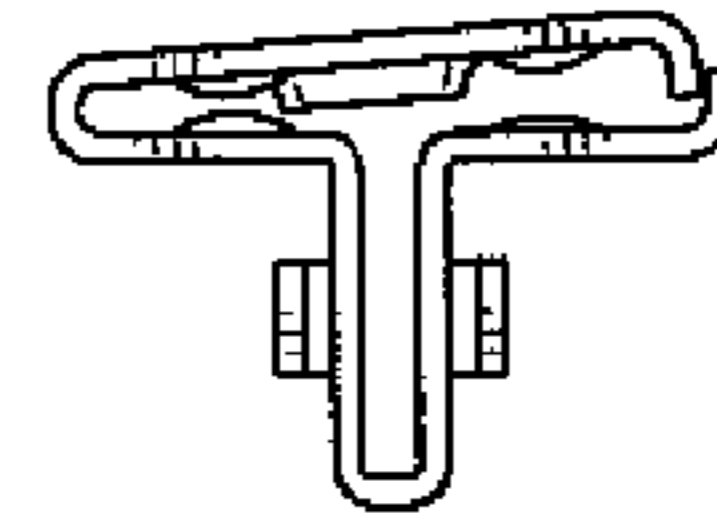


Fig. 4

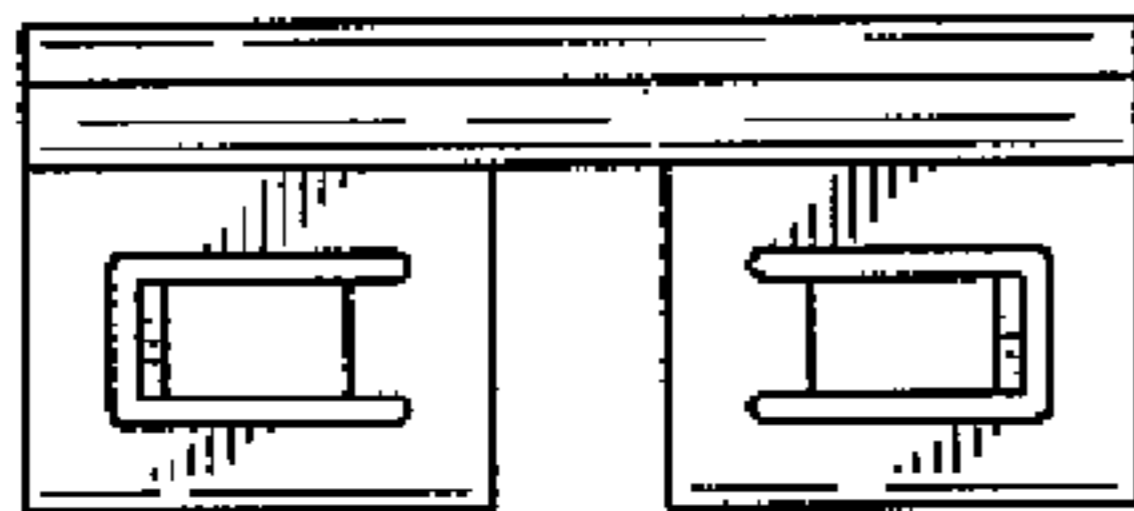


Fig. 5

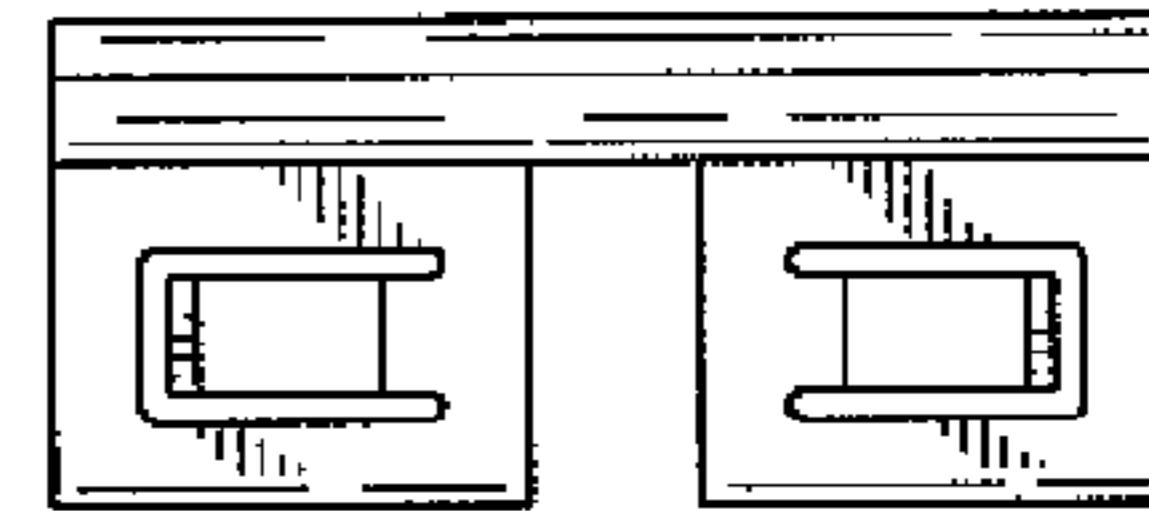


Fig. 6

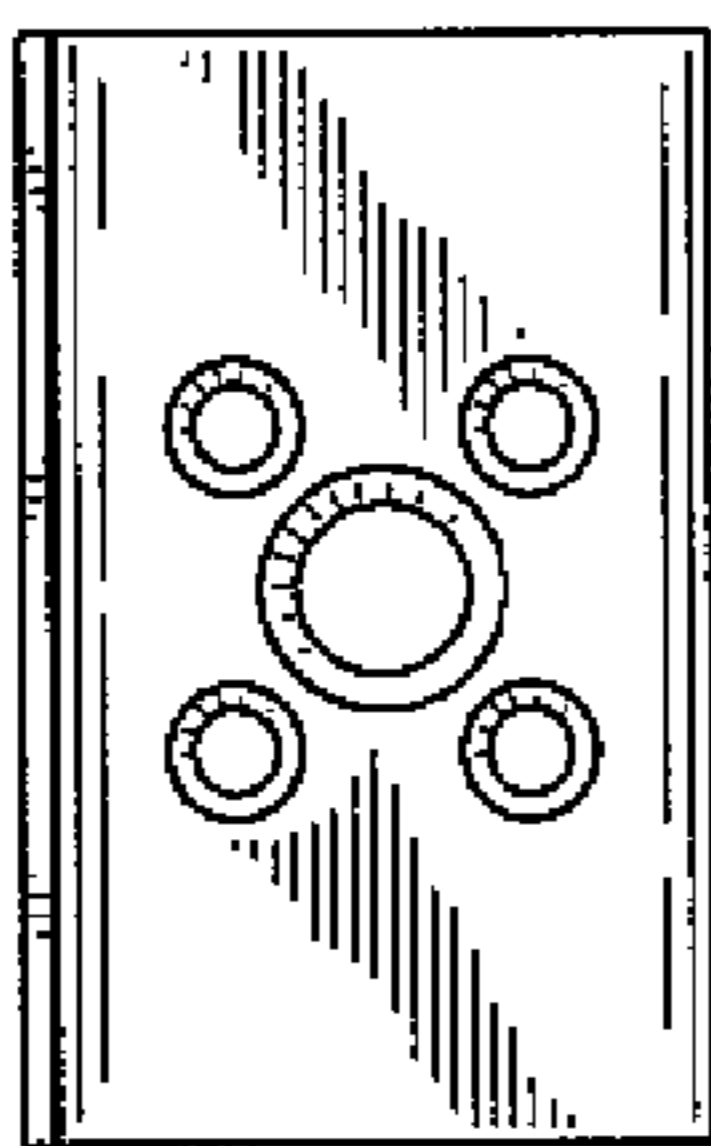


Fig. 7

