



US00D600104S

(12) **United States Design Patent**
Weber et al.

(10) **Patent No.:** **US D600,104 S**

(45) **Date of Patent:** **** Sep. 15, 2009**

(54) **CASTER**

(75) Inventors: **Jeffrey A. Weber**, Golden Valley, MN (US); **Ayako Takase**, Providence, RI (US); **Michael S. Grider**, Minneapolis, MN (US); **Shawn S. Monitor**, Minneapolis, MN (US)

(73) Assignee: **Herman Miller, Inc.**, Zeeland, MI (US)

(**) Term: **14 Years**

(21) Appl. No.: **29/313,518**

(22) Filed: **Jan. 15, 2009**

(51) **LOC (9) Cl.** **08-05**

(52) **U.S. Cl.** **D8/375**

(58) **Field of Classification Search** D8/375;
D34/27; D3/318; D12/501, 209, 208, 207;
16/47, 46, 45, 35 R, 35 D, 31 R, 29, 22, 18 R,
16/18 CG

See application file for complete search history.

(56) **References Cited**

U.S. PATENT DOCUMENTS

D245,313 S * 8/1977 Koepke D8/375
4,793,022 A * 12/1988 Raffaelli 16/45
D389,101 S 1/1998 Julien
D457,810 S * 5/2002 Chi D8/375
D470,748 S 2/2003 Tsai

D473,379 S 4/2003 Moon
D496,259 S * 9/2004 Cheng D8/375
D573,078 S 7/2008 Longpre et al.
D576,795 S 9/2008 Moon

OTHER PUBLICATIONS

U.S. Appl. No. 29/322,087, filed Jul. 29, 2008, "Caster," Weber et al.

* cited by examiner

Primary Examiner—Susan Bennett Hattan

(74) *Attorney, Agent, or Firm*—Brinks Hofer Gilson & Lione

(57) **CLAIM**

We claim the ornamental design for a caster, as shown and described.

DESCRIPTION

FIG. 1 is a perspective view of a caster;

FIG. 2 is a right-side view of the caster in FIG. 1;

FIG. 3 is a left-side view of the caster in FIG. 1;

FIG. 4 is a front view of the caster in FIG. 1;

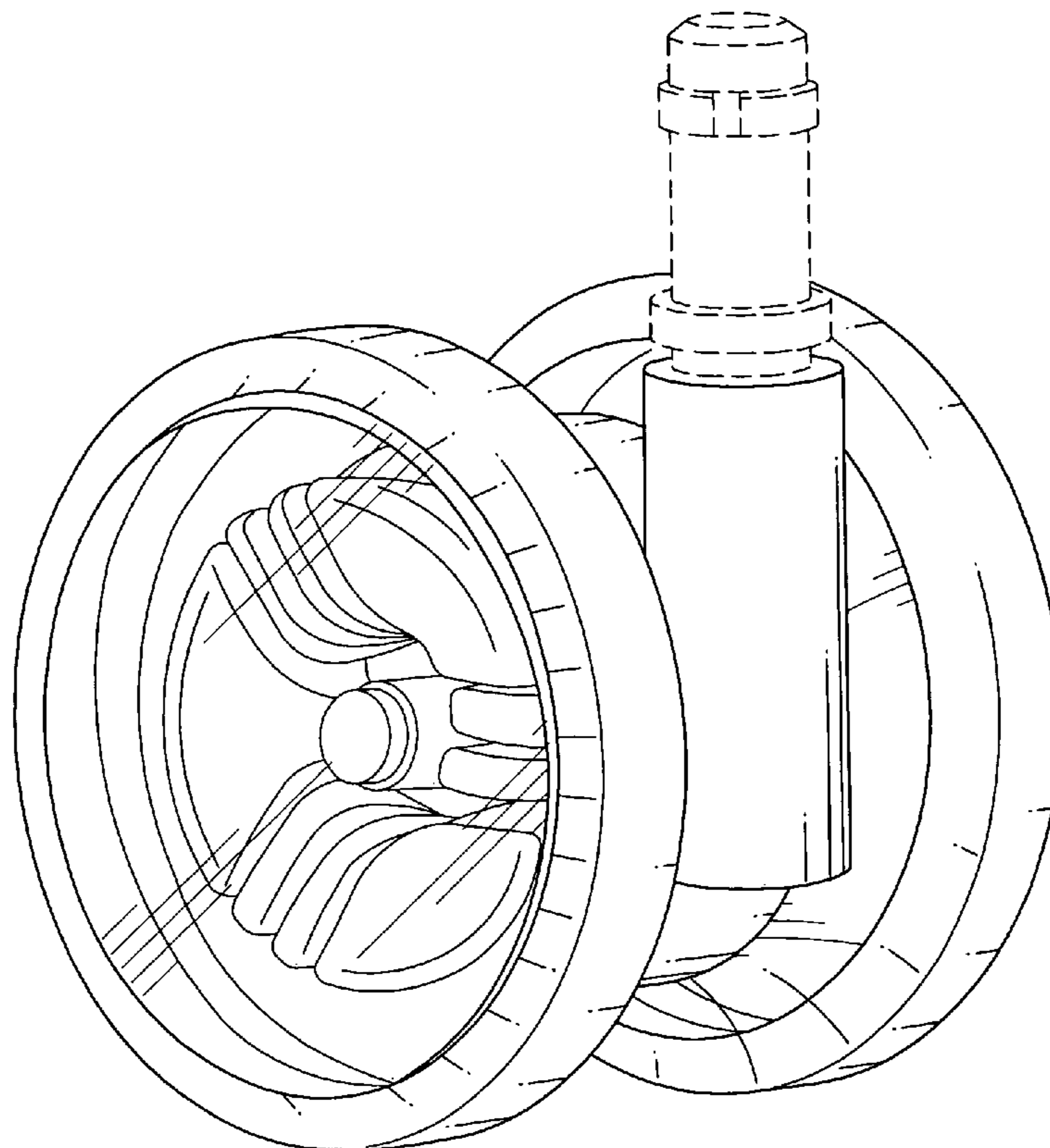
FIG. 5 is a rear view of the caster in FIG. 1;

FIG. 6 is a top view of the caster in FIG. 1; and,

FIG. 7 is a bottom view of the caster in FIG. 1.

The broken lines in the drawing depict environmental subject matter only and form no part of the claimed design.

1 Claim, 4 Drawing Sheets



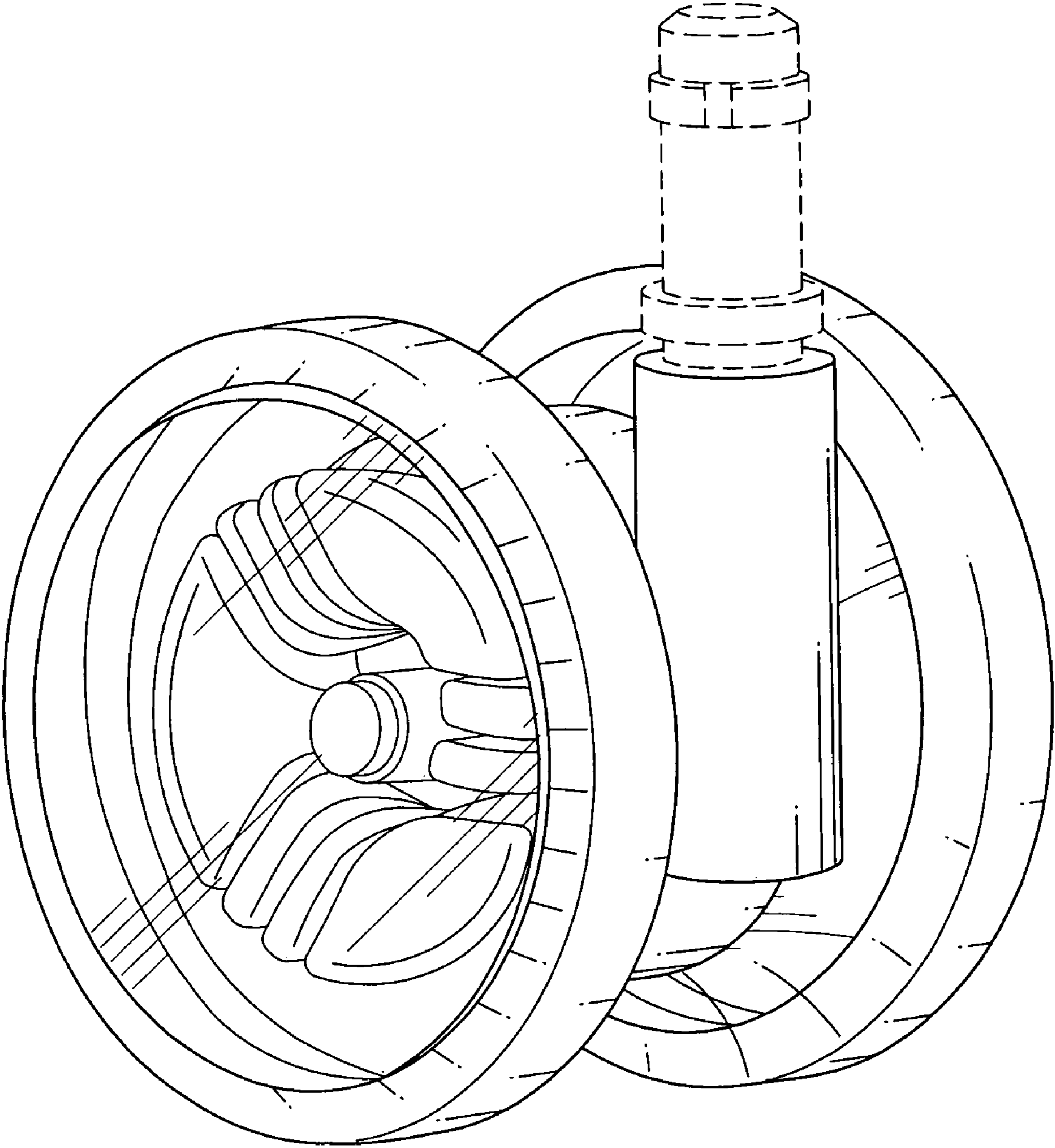


FIG. 1

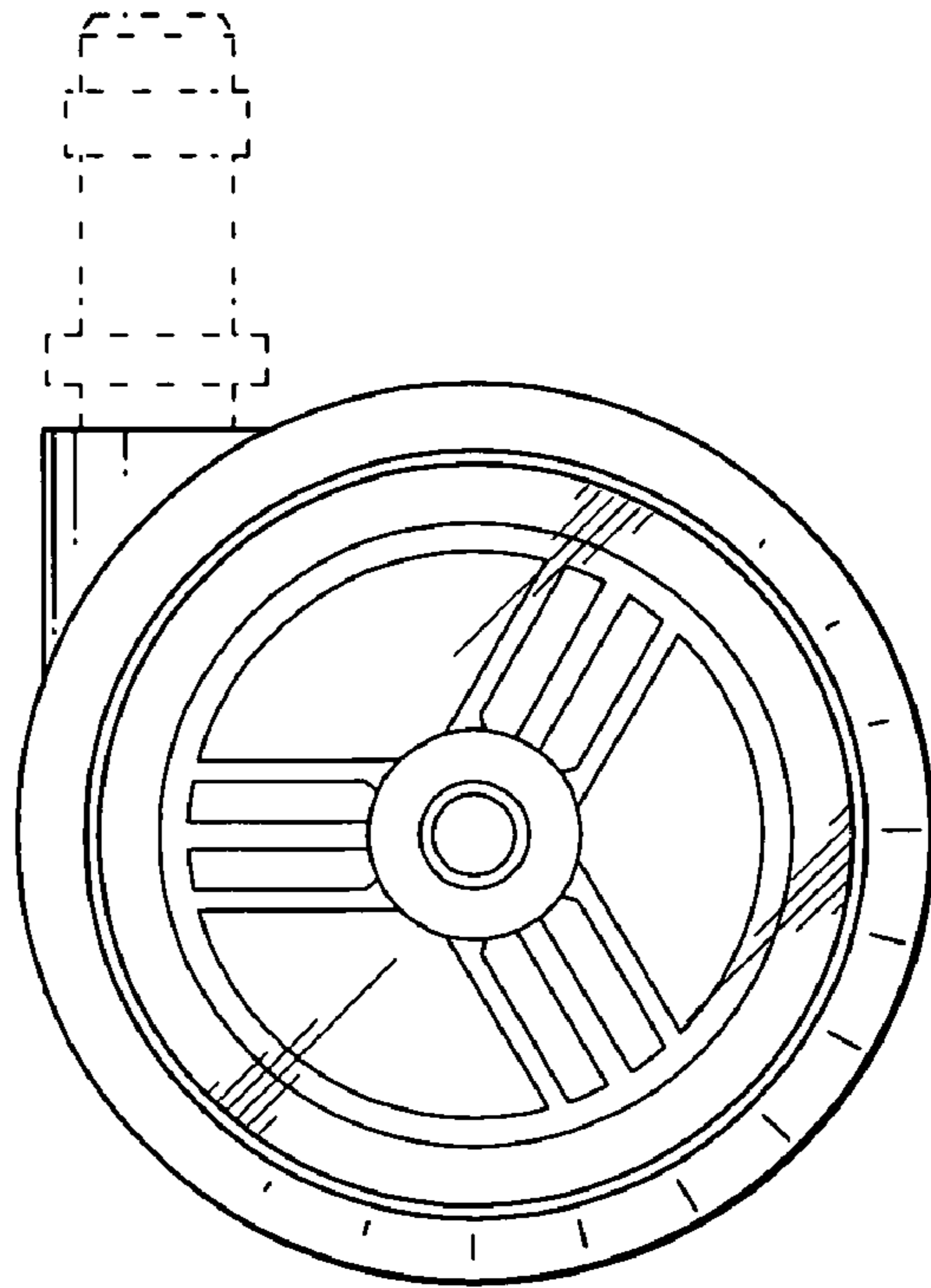


FIG. 2

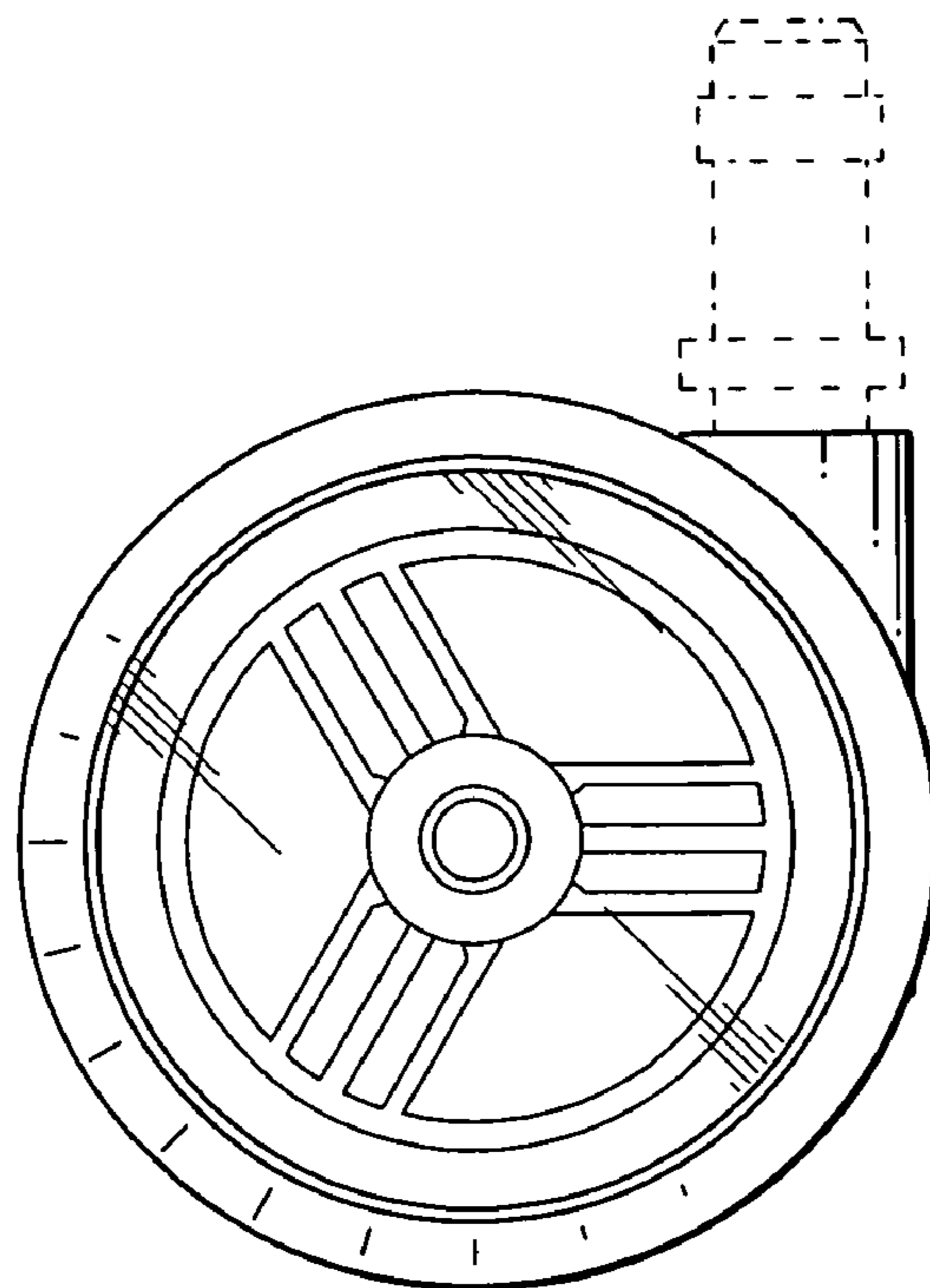


FIG. 3

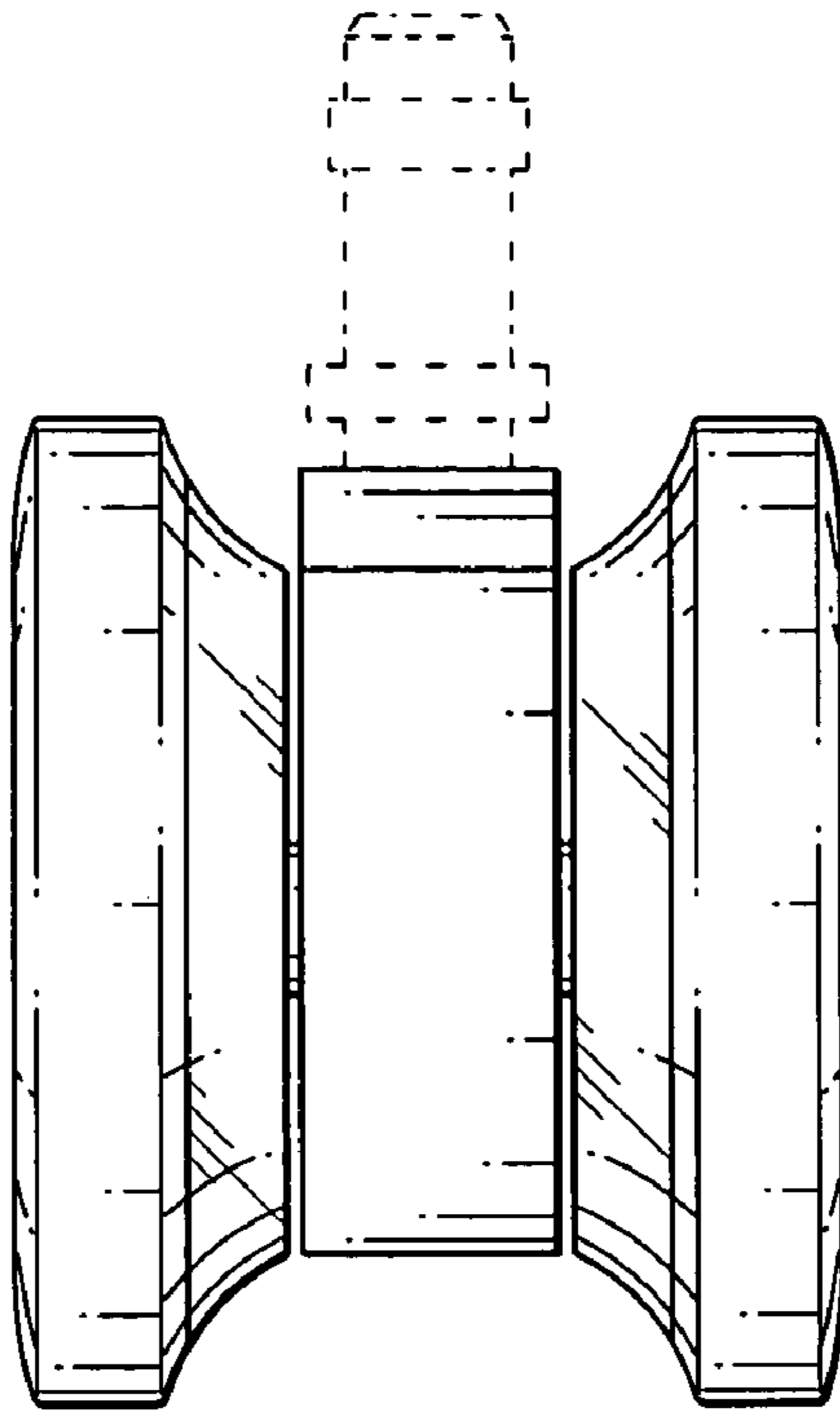


FIG. 4

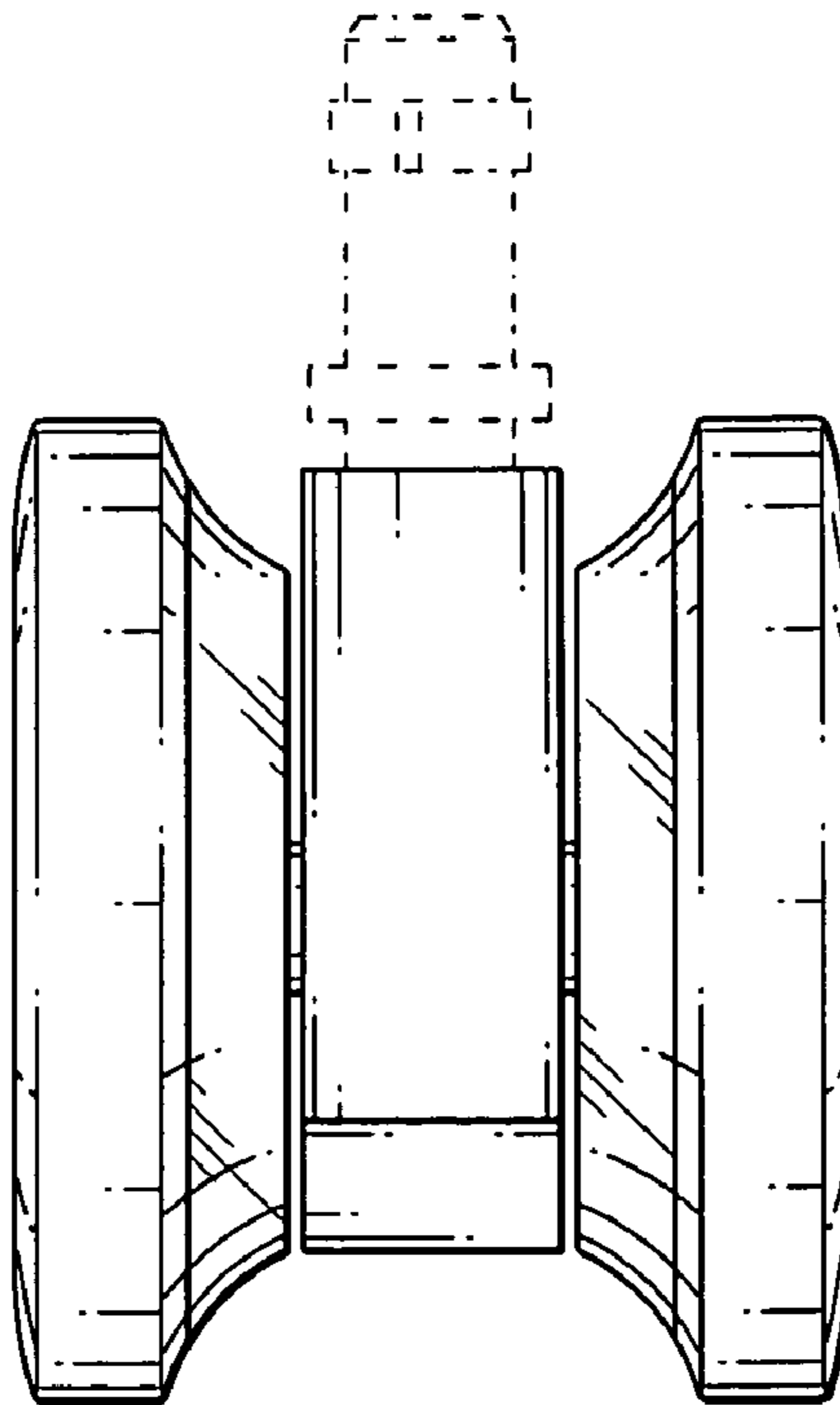


FIG. 5

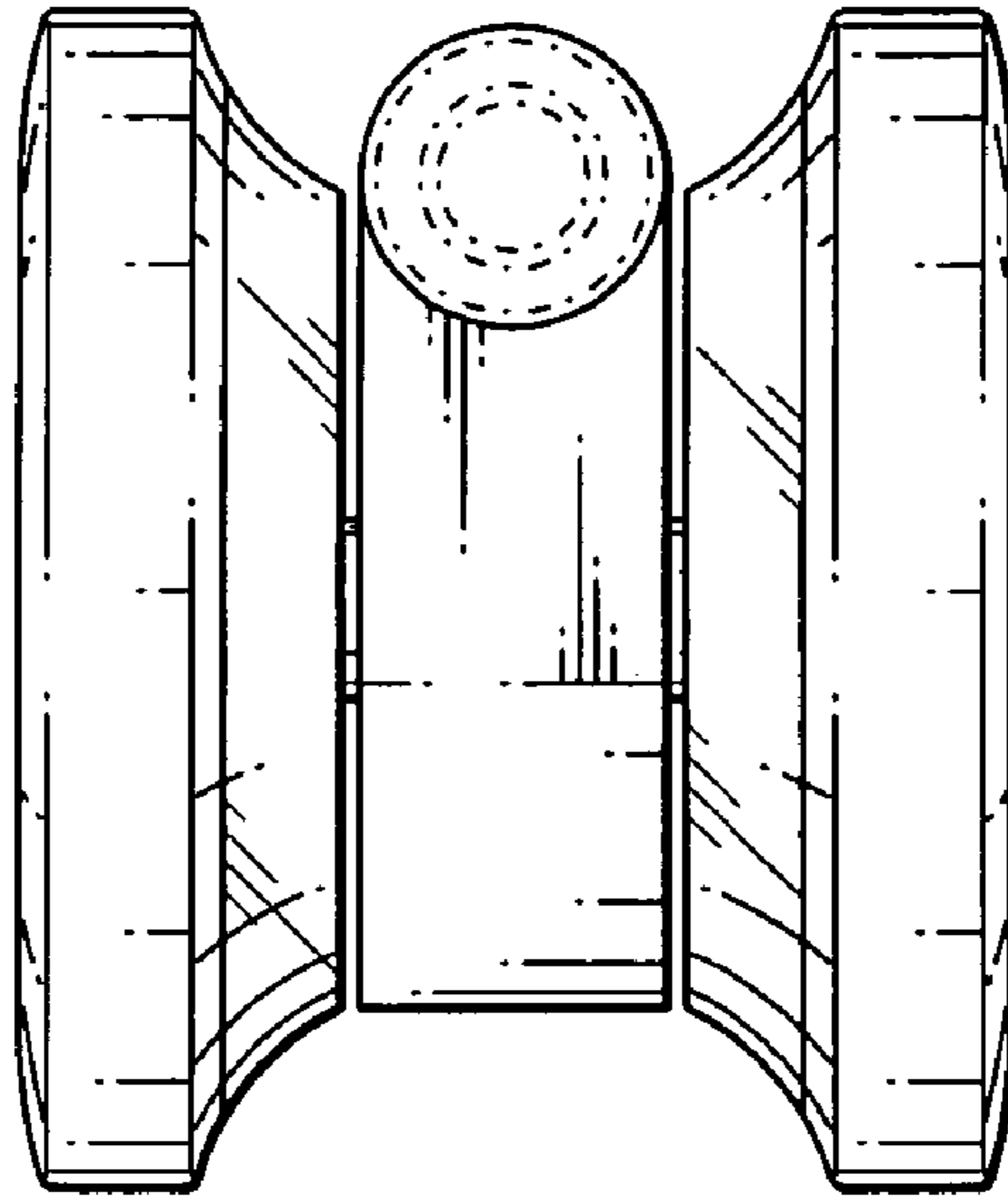


FIG. 6

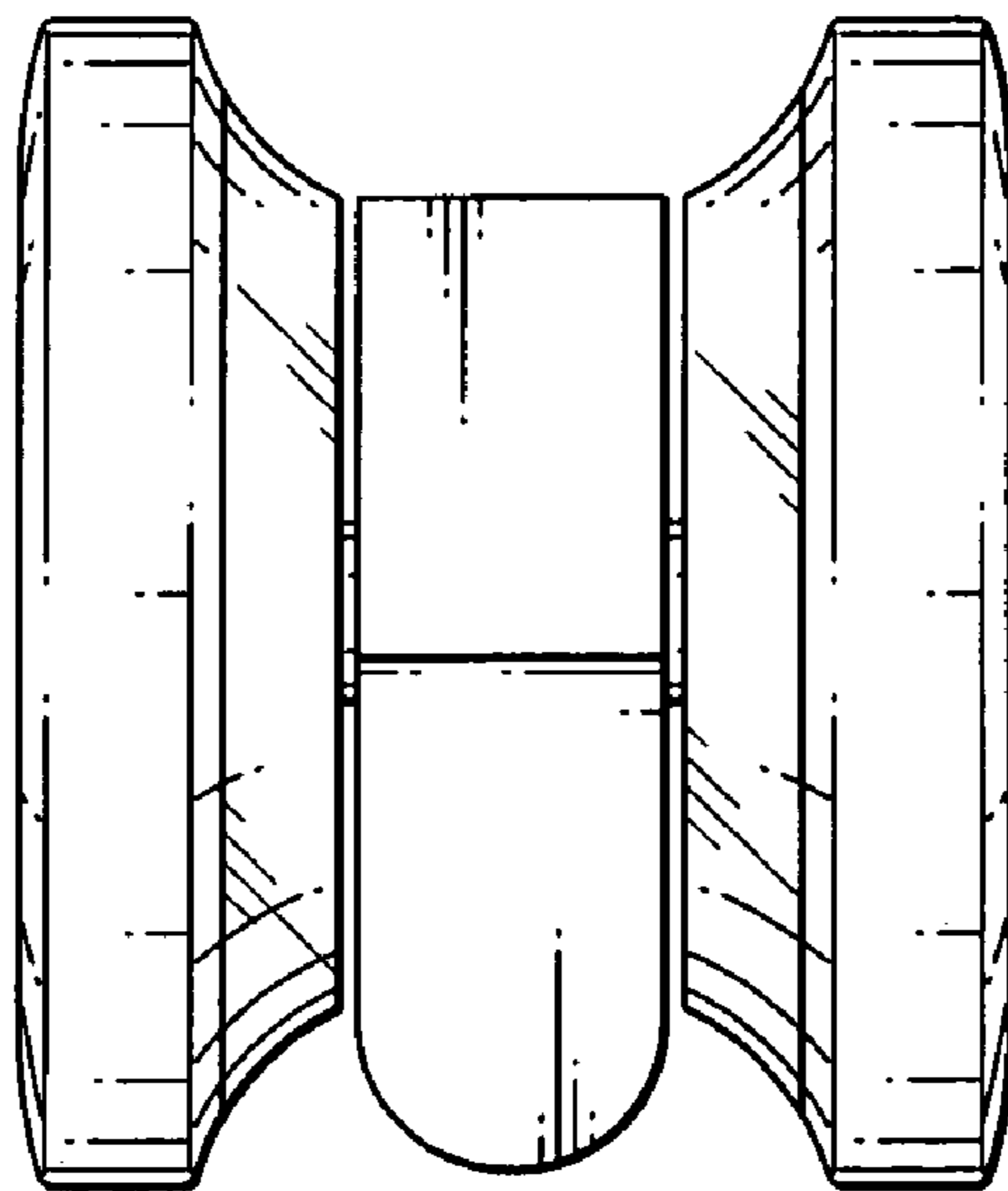


FIG. 7