



US00D600098S

(12) **United States Design Patent**
Allwood

(10) **Patent No.:** **US D600,098 S**

(45) **Date of Patent:** **** Sep. 15, 2009**

(54) **REEL ASSEMBLY**

(75) Inventor: **Brent David Allwood**, Buttaba (AU)

(73) Assignee: **ADC GmbH**, Berlin (DE)

(**) Term: **14 Years**

(21) Appl. No.: **29/328,332**

(22) Filed: **Nov. 21, 2008**

(30) **Foreign Application Priority Data**

May 29, 2008 (AU) 12611/2008

(51) **LOC (9) Cl.** **08-05**

(52) **U.S. Cl.** **D8/358**

(58) **Field of Classification Search** D9/456,
D9/432; D8/359, 358, 356, 308; D23/252,
D23/250; D14/475; D13/177.4; D10/72;
33/770, 755; 242/614.1, 608.8, 608.2, 605,
242/604, 595.1, 594.2, 588.6, 588.3, 557,
242/405, 405.1-3, 395, 278.4, 378.2, 171,
242/170; 239/198, 197; 211/644, 44; 206/387.1,
206/232; 137/355.23-28, 355.2, 355.19,
137/15.08, 205.22

See application file for complete search history.

(56) **References Cited**

U.S. PATENT DOCUMENTS

D15,146 S * 7/1884 Helmus et al. D8/358
2,501,201 A * 3/1950 Wilcox 242/588.3
D200,791 S * 4/1965 Smith D8/358
4,014,477 A * 3/1977 Hyun 242/395
D285,901 S 9/1986 Gustavsson
4,821,880 A 4/1989 Ditton
4,842,211 A * 6/1989 Robbins 242/588.3
5,046,677 A 9/1991 Loewe et al.
5,184,743 A 2/1993 Suzuki et al.

D367,575 S 3/1996 Thompson
5,598,985 A * 2/1997 Winesett 242/395
5,897,075 A 4/1999 Elder et al.
5,954,294 A 9/1999 Forsner
5,967,451 A 10/1999 Radaios
6,016,911 A 1/2000 Chen
6,234,421 B1 5/2001 Cox et al.
6,398,154 B1 6/2002 Cox et al.
6,523,777 B2 2/2003 Gaudio
6,705,564 B2 3/2004 Bootsman et al.
6,834,827 B2 12/2004 Burkitt
6,913,145 B2 7/2005 Barton et al.
7,309,038 B2 12/2007 Carroscia
7,311,285 B2 12/2007 Rauchs et al.
D586,203 S * 2/2009 Zhang D8/359
2006/0196794 A1 9/2006 Nicklas

FOREIGN PATENT DOCUMENTS

DE 195 10 427 9/1996

* cited by examiner

Primary Examiner—Susan Bennett Hattan
(74) *Attorney, Agent, or Firm*—Merchant & Gould P.C.

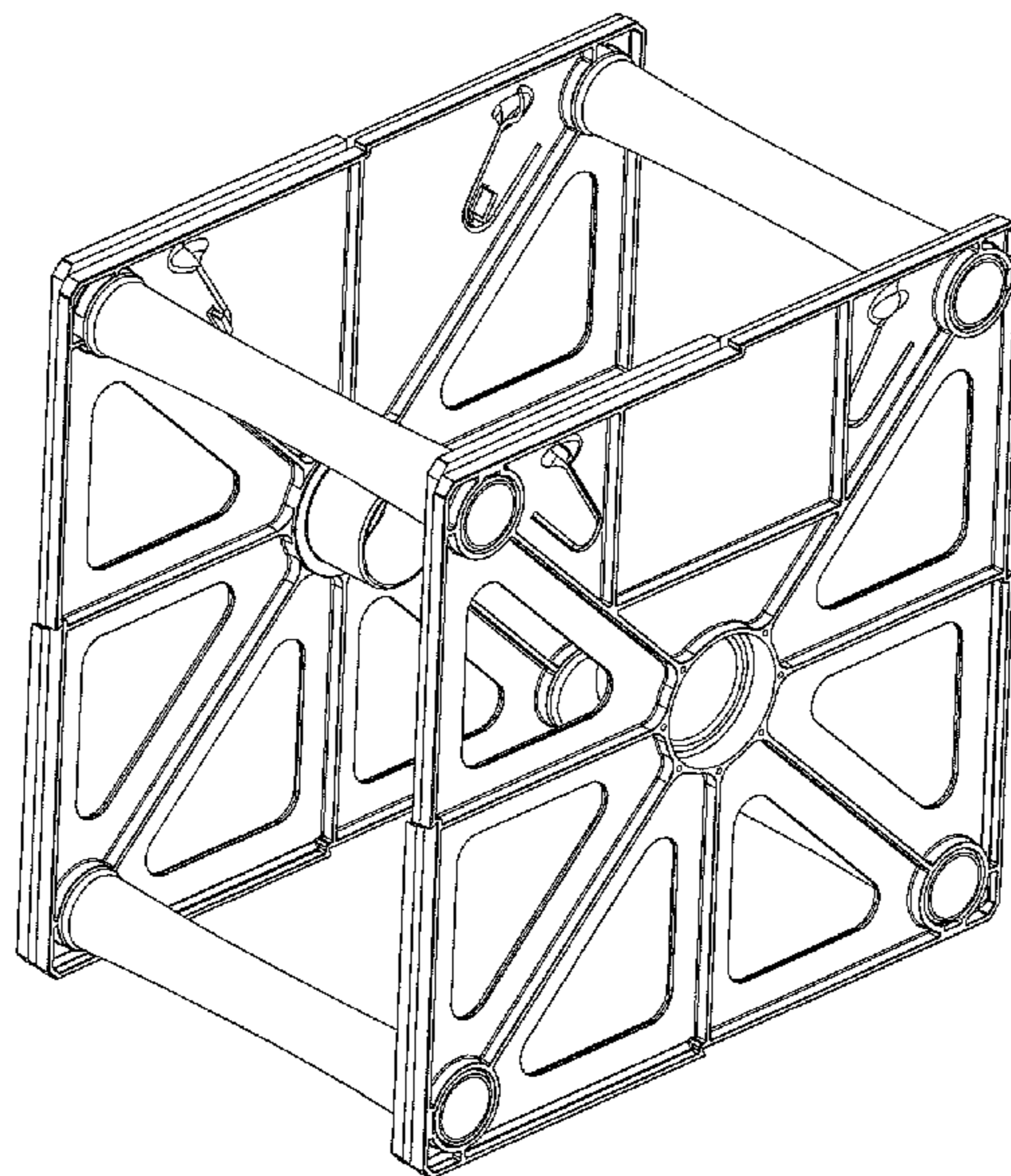
(57) **CLAIM**

The ornamental design for reel assembly, as shown and described.

DESCRIPTION

FIG. 1 is a perspective view of the reel assembly;
FIG. 2 is a side view of the reel assembly;
FIG. 3 is another side view of the reel assembly;
FIG. 4 is a front view of the reel assembly;
FIG. 5 is a back view of the reel assembly;
FIG. 6 is a top view of the reel assembly; and,
FIG. 7 is a bottom view of the reel assembly.

1 Claim, 4 Drawing Sheets



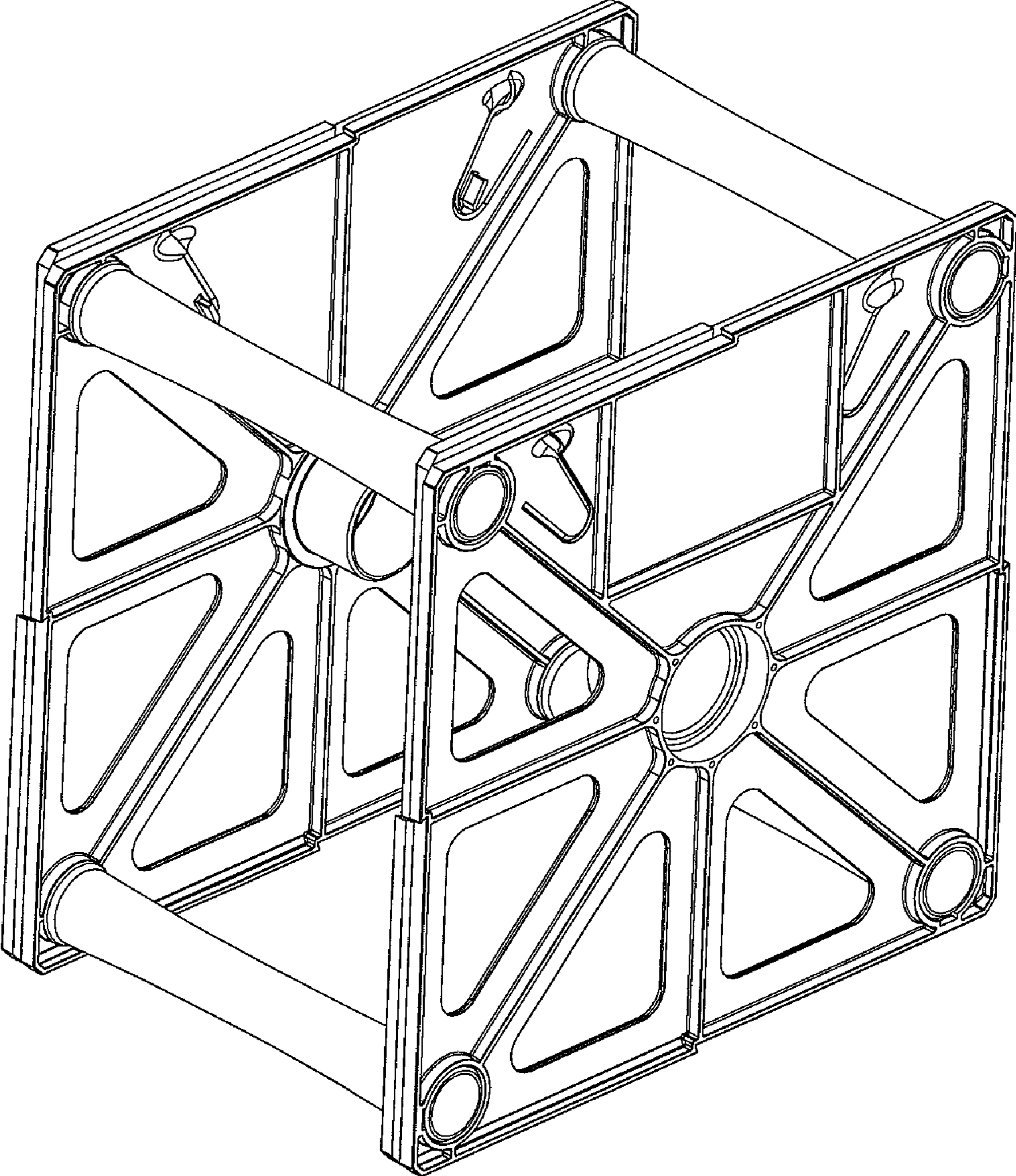


Figure 1

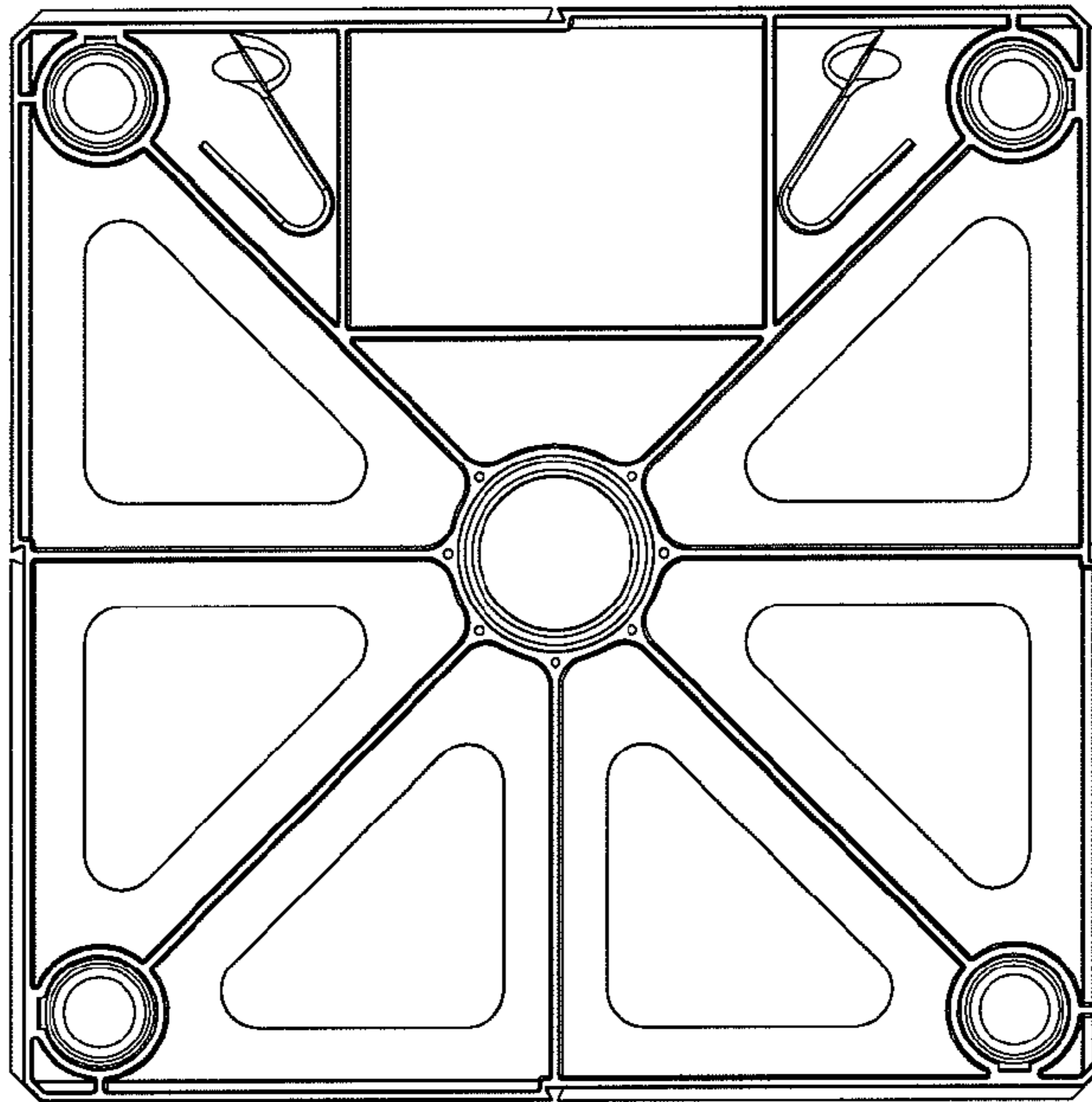


Figure 2

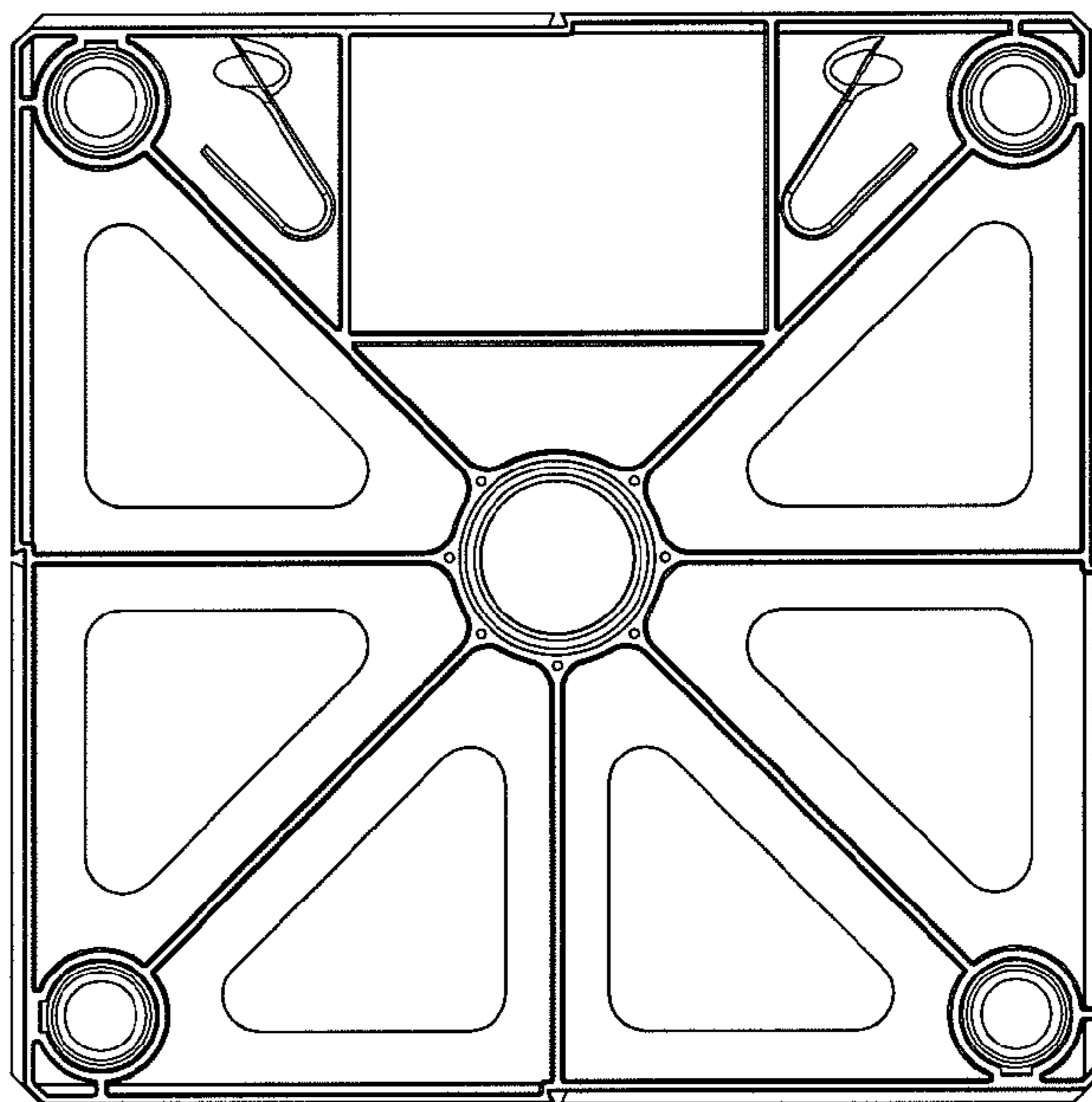


Figure 3

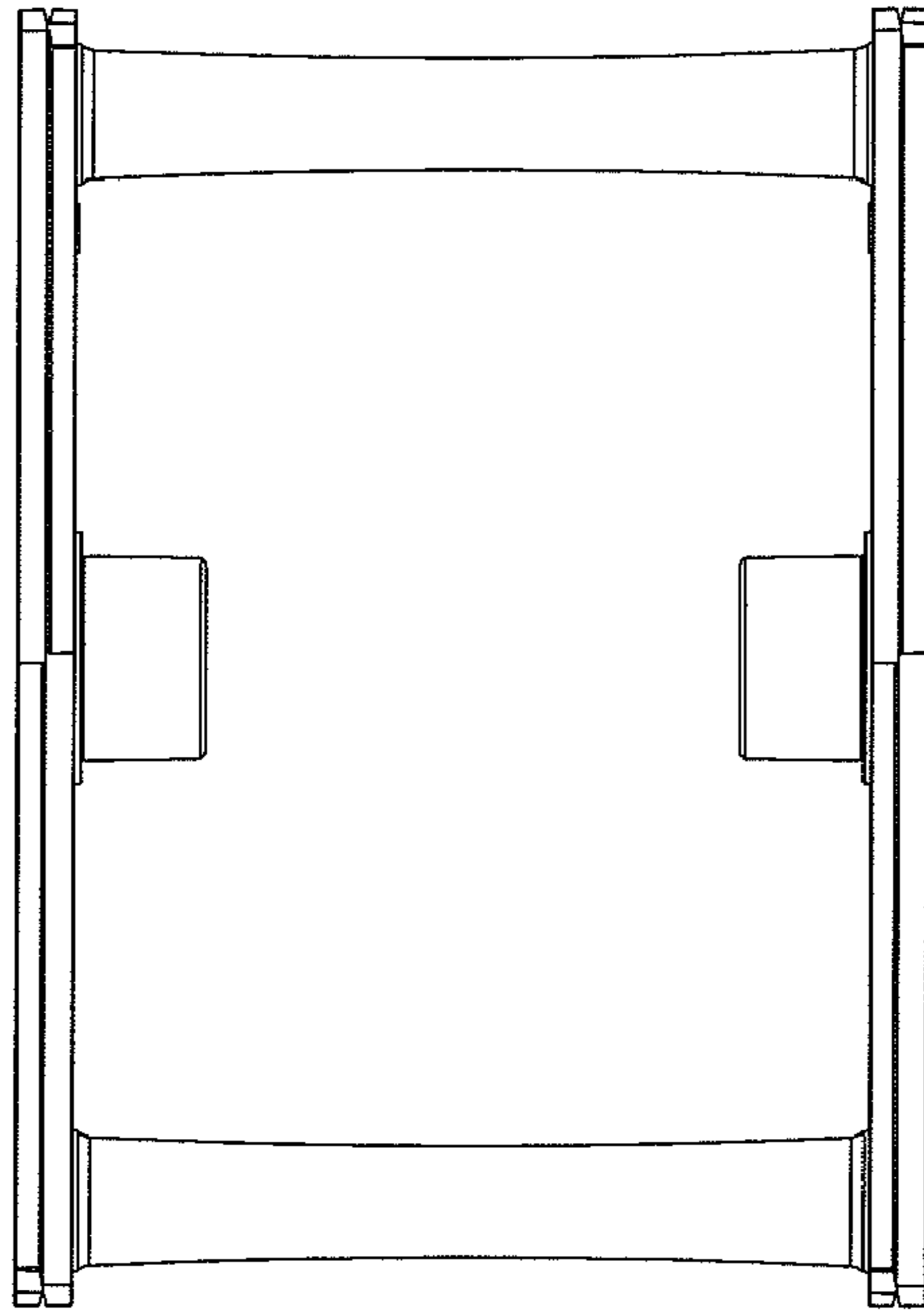


Figure 4

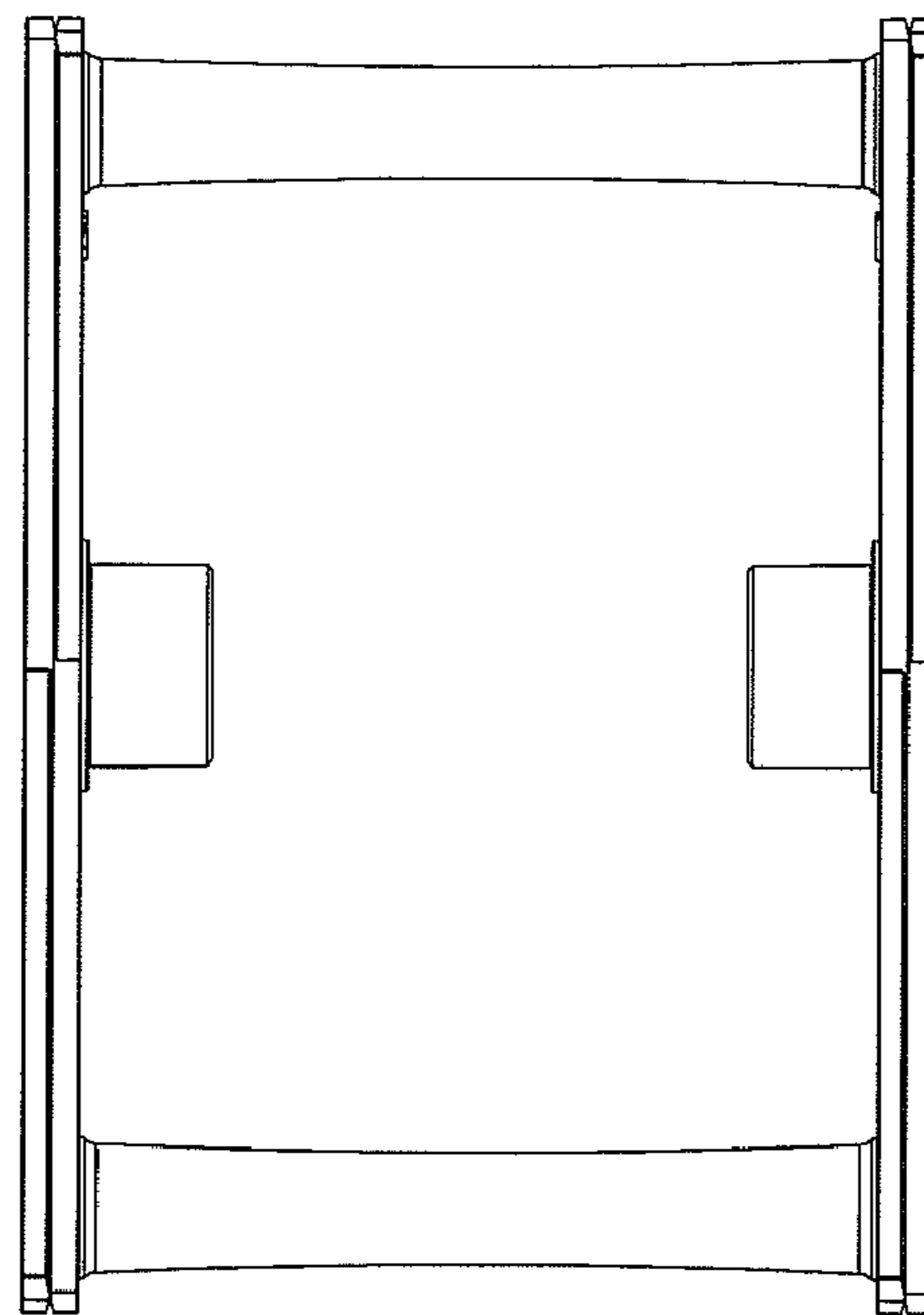


Figure 5

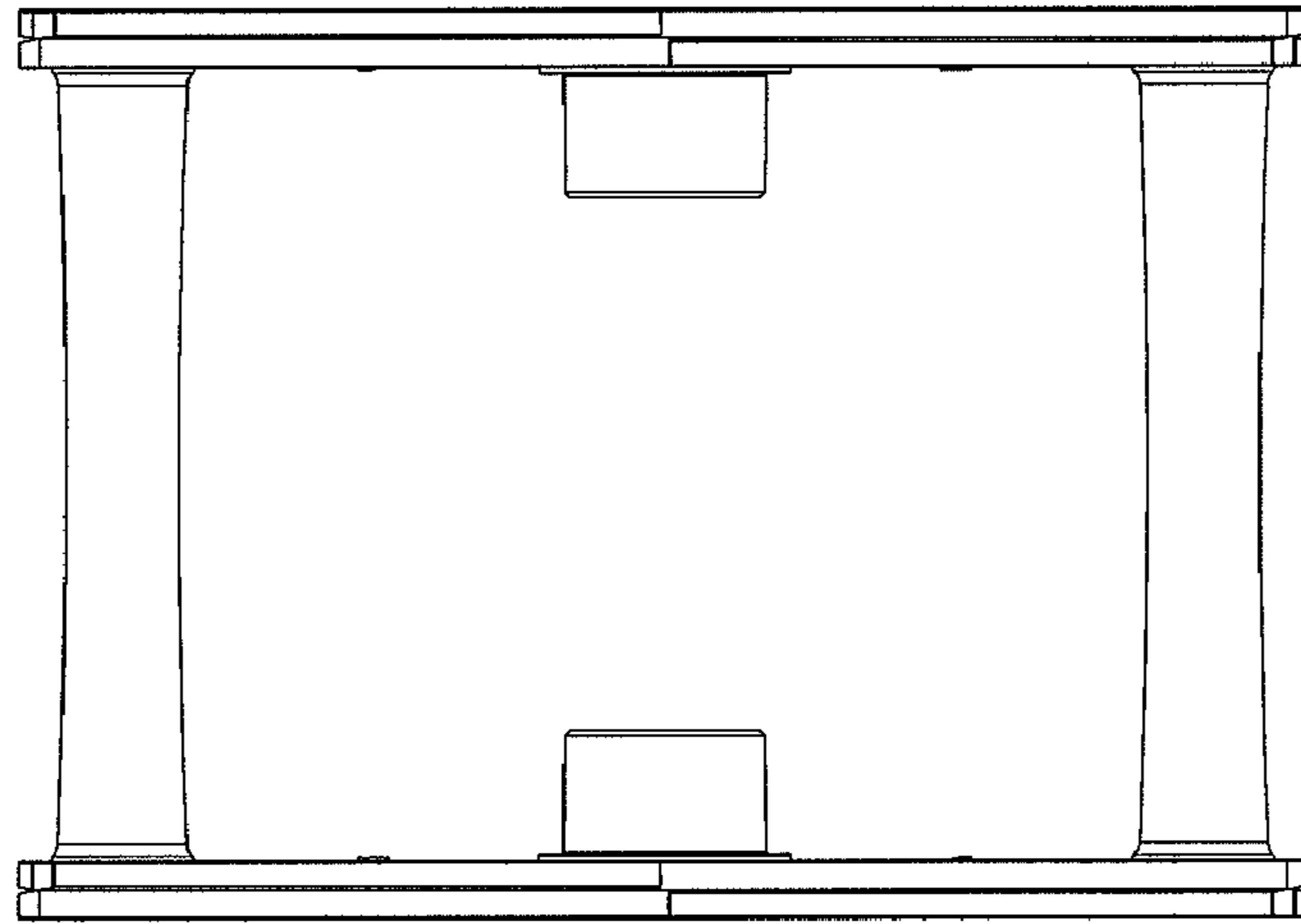


Figure 6

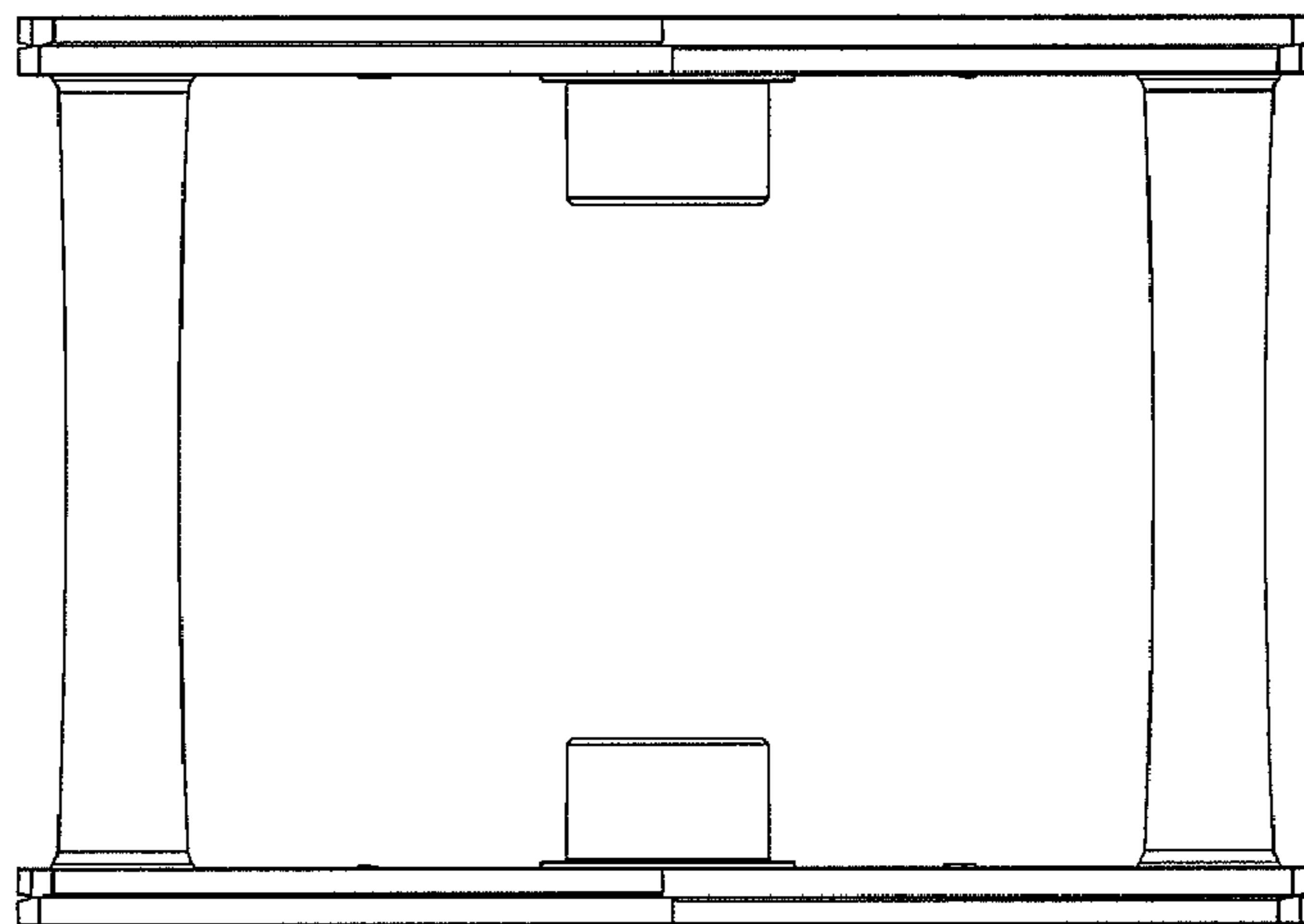


Figure 7