



US00D600088S

(12) **United States Design Patent**
DiPasquale

(10) **Patent No.:** **US D600,088 S**

(45) **Date of Patent:** **** Sep. 15, 2009**

(54) **RIGHT ANGLE DRILL**

(75) Inventor: **Kathy E. DiPasquale**, Baltimore, MD
(US)

(73) Assignee: **Black & Decker Inc.**, Newark, DE (US)

(**) Term: **14 Years**

(21) Appl. No.: **29/280,717**

(22) Filed: **Jun. 5, 2007**

Related U.S. Application Data

(63) Continuation-in-part of application No. 29/265,963,
filed on Sep. 12, 2006, now abandoned.

(51) **LOC (9) Cl.** **08-01**

(52) **U.S. Cl.** **D8/69**

(58) **Field of Classification Search** D8/14.1,
D8/61, 62, 63, 64, 65, 66, 67, 68, 69, 70;
81/57.11, 429, 454, 455, 456, 469, 489; 173/13,
173/104, 114, 168, 169, 170, 171, 178, 201,
173/211, 213, 217; 408/20, 124, 125, 234,
408/241 R; 451/358; 310/50; 227/8, 113,
227/114, 120, 130, 136, 142

See application file for complete search history.

(56) **References Cited**

U.S. PATENT DOCUMENTS

D171,221 S * 12/1953 Nystrom D8/67
D197,142 S * 12/1963 Godfrey et al. D8/67
D242,427 S * 11/1976 Wilsgaard D8/69

D301,967 S * 7/1989 Sakamoto et al. D8/69
6,488,451 B1 * 12/2002 Hartman 408/124
D479,679 S * 9/2003 Wright D8/62
6,764,256 B2 * 7/2004 Miura 408/241 R
7,121,773 B2 * 10/2006 Mikiya et al. 408/124
7,137,761 B2 * 11/2006 Hara et al. 408/124
2005/0267776 A1 * 12/2005 Selby et al. 705/1

* cited by examiner

Primary Examiner—T. Chase Nelson

Assistant Examiner—Karen Acker

(74) *Attorney, Agent, or Firm*—Scott B. Markow

(57) **CLAIM**

The ornamental design for a right angle drill, as shown and described.

DESCRIPTION

FIG. 1 is a left side view of a right angle drill showing my new design.

FIG. 2 is a right side view thereof.

FIG. 3 is a front view thereof.

FIG. 4 is a rear view thereof.

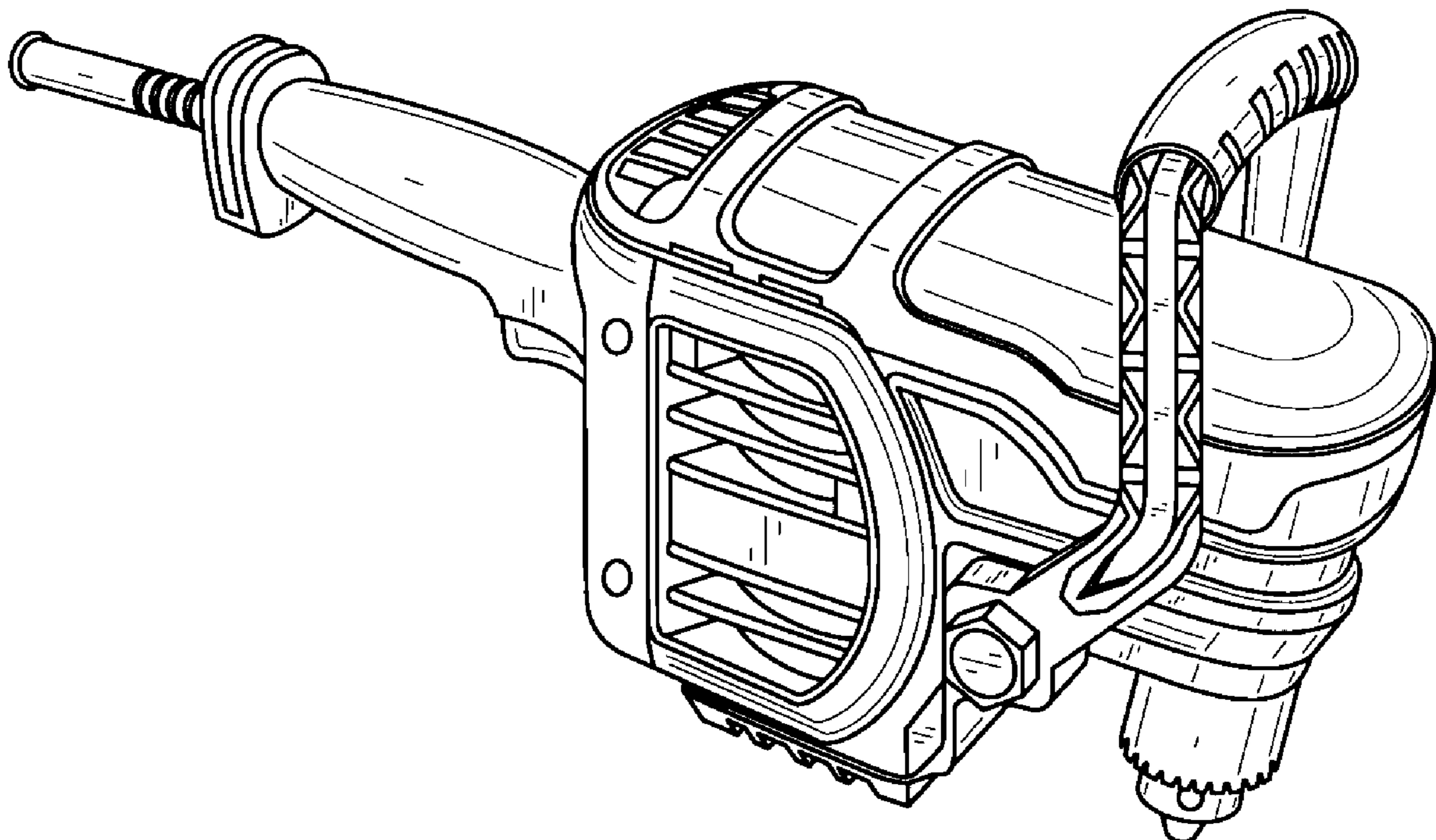
FIG. 5 is a top view thereof.

FIG. 6 is a bottom side view thereof; and,

FIG. 7 is a right, front, and top perspective view thereof.

The features shown in broken lines form no part of the claimed design.

1 Claim, 4 Drawing Sheets



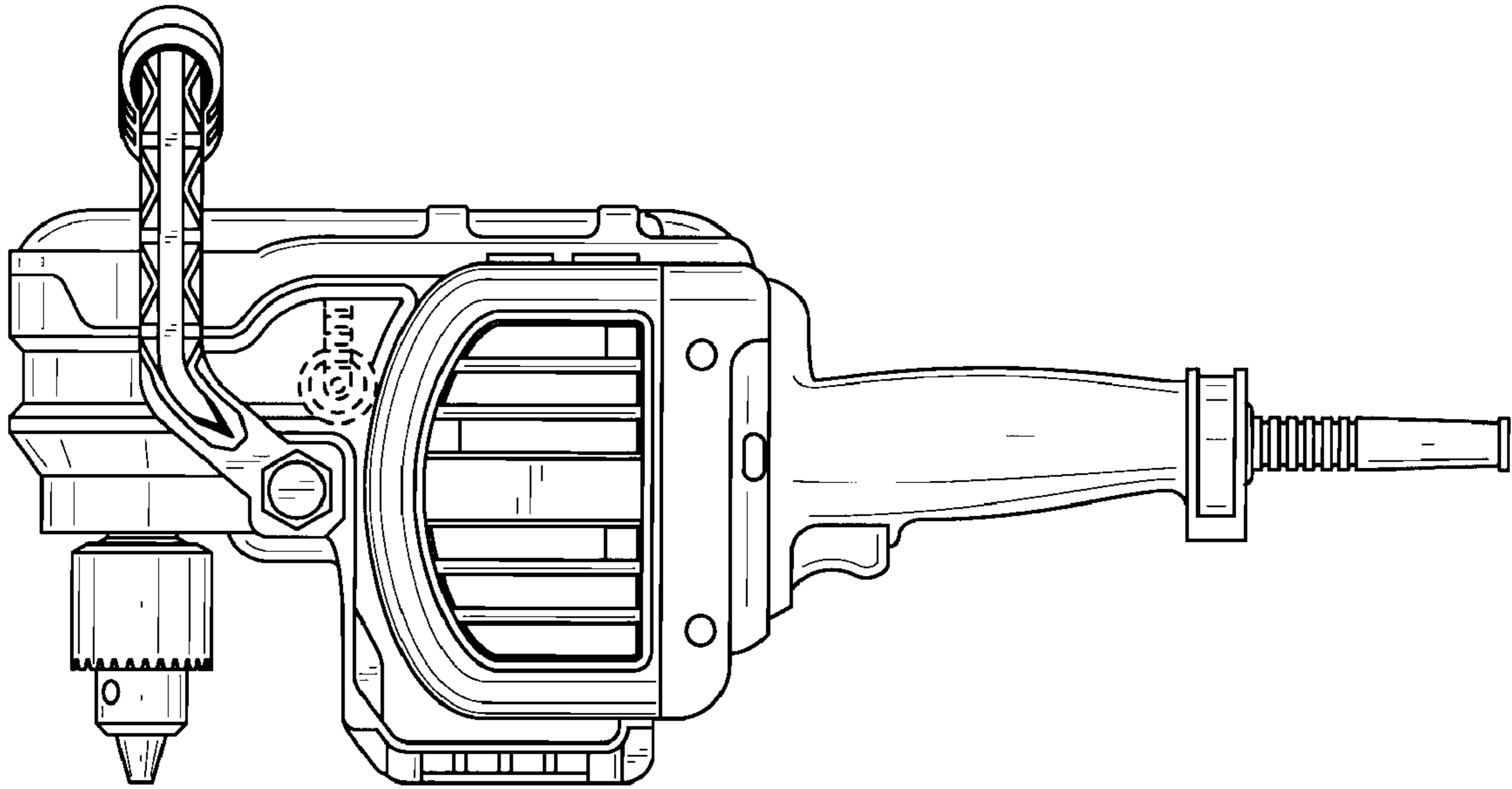


FIG. 1

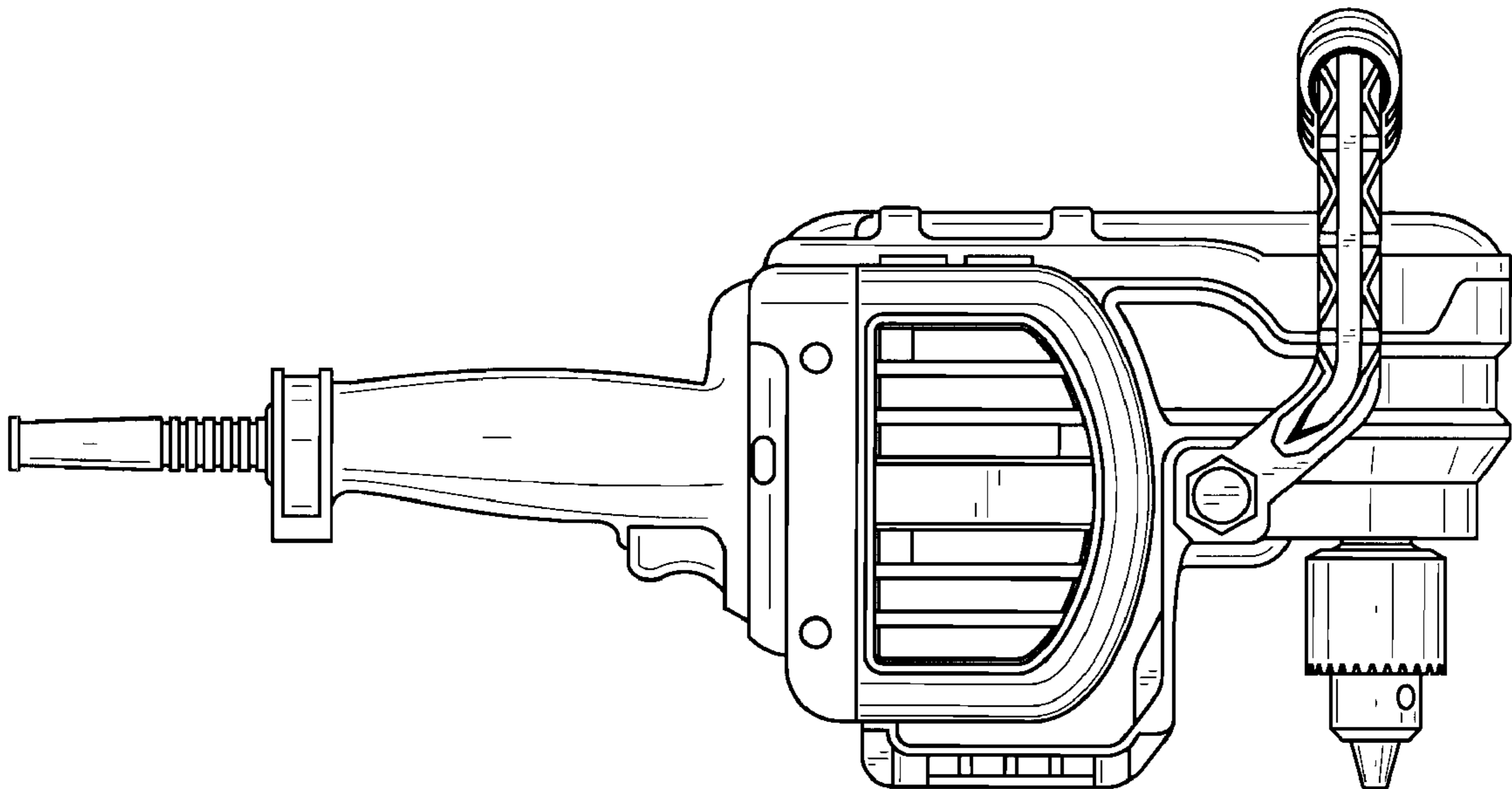


FIG. 2

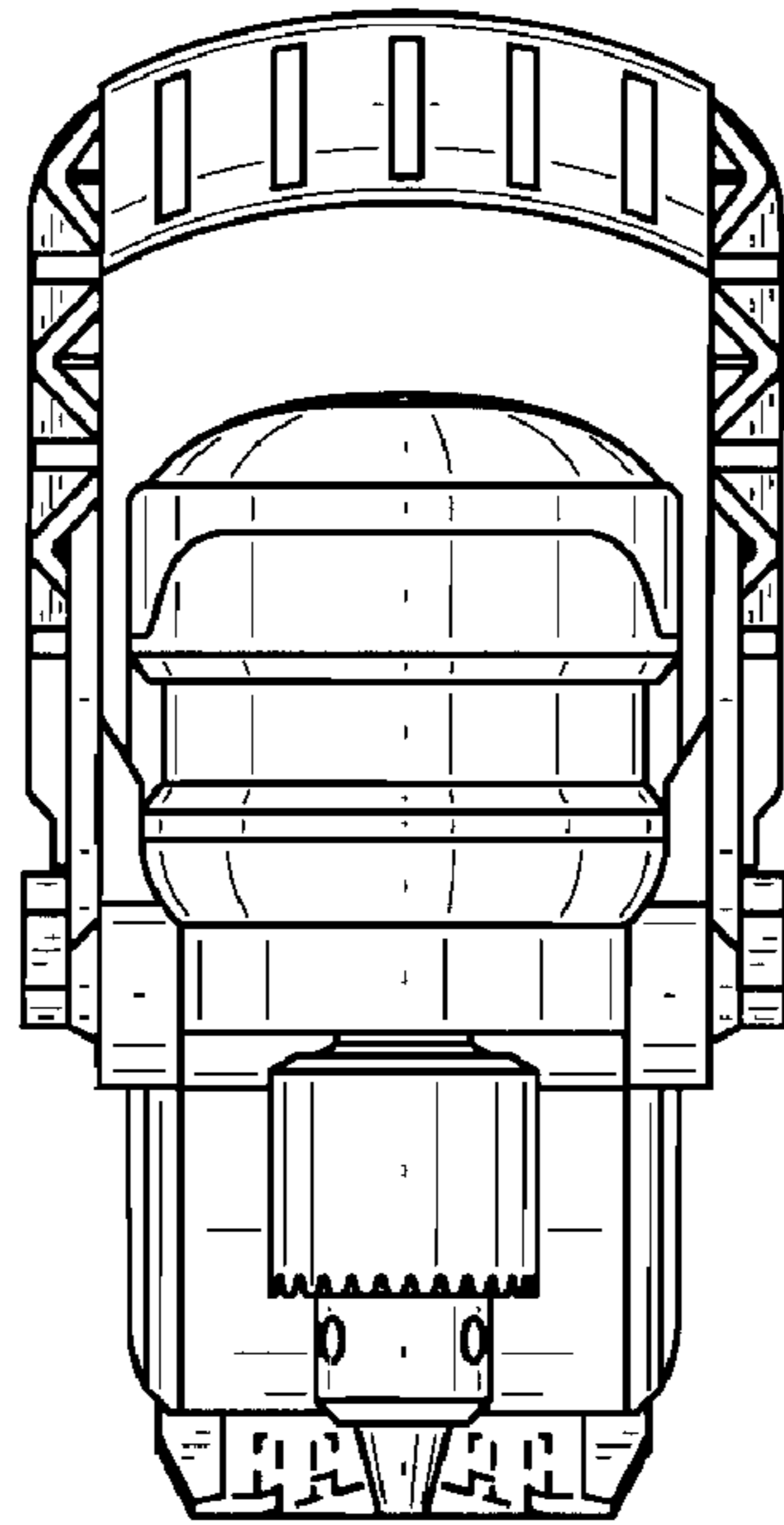


FIG. 3

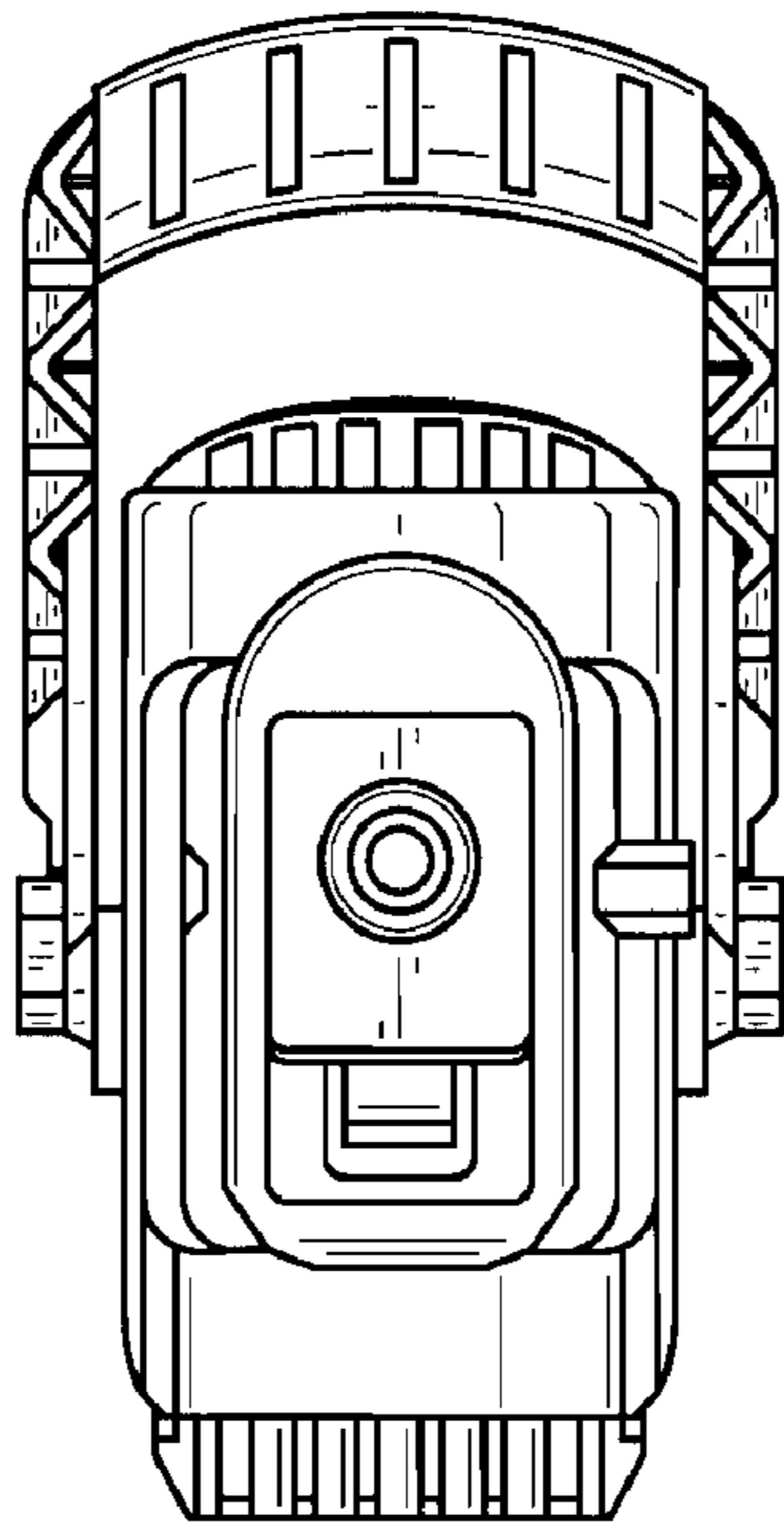


FIG. 4

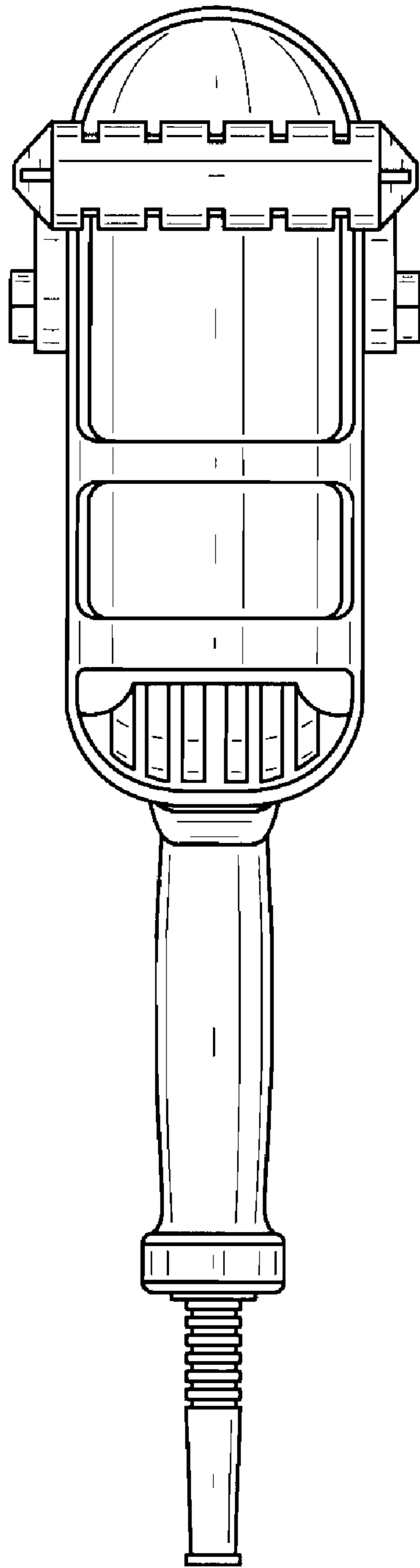


FIG. 5

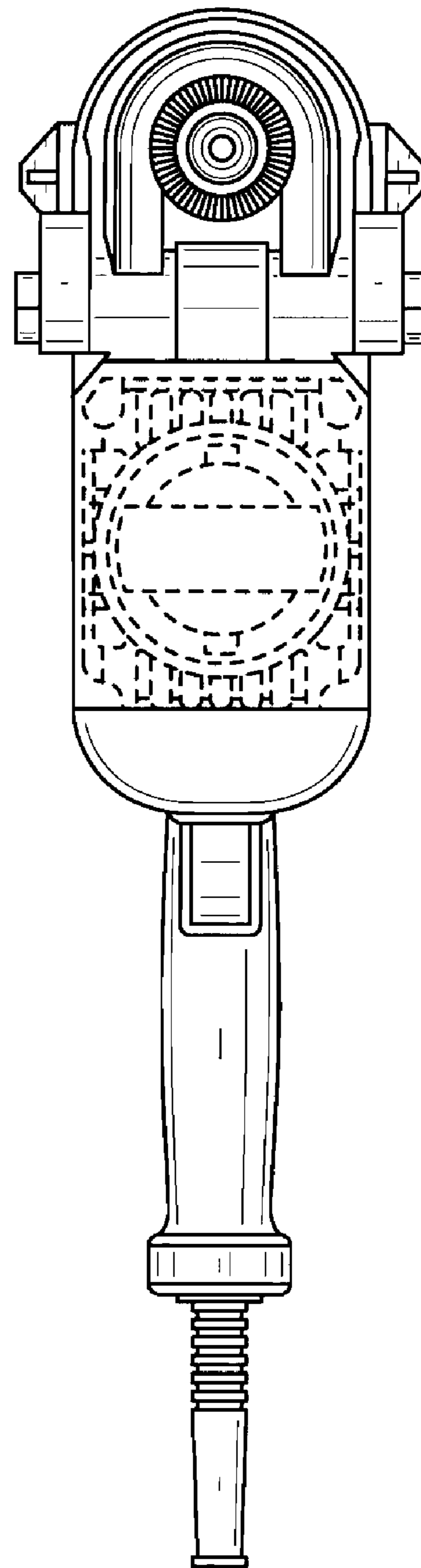


FIG. 6

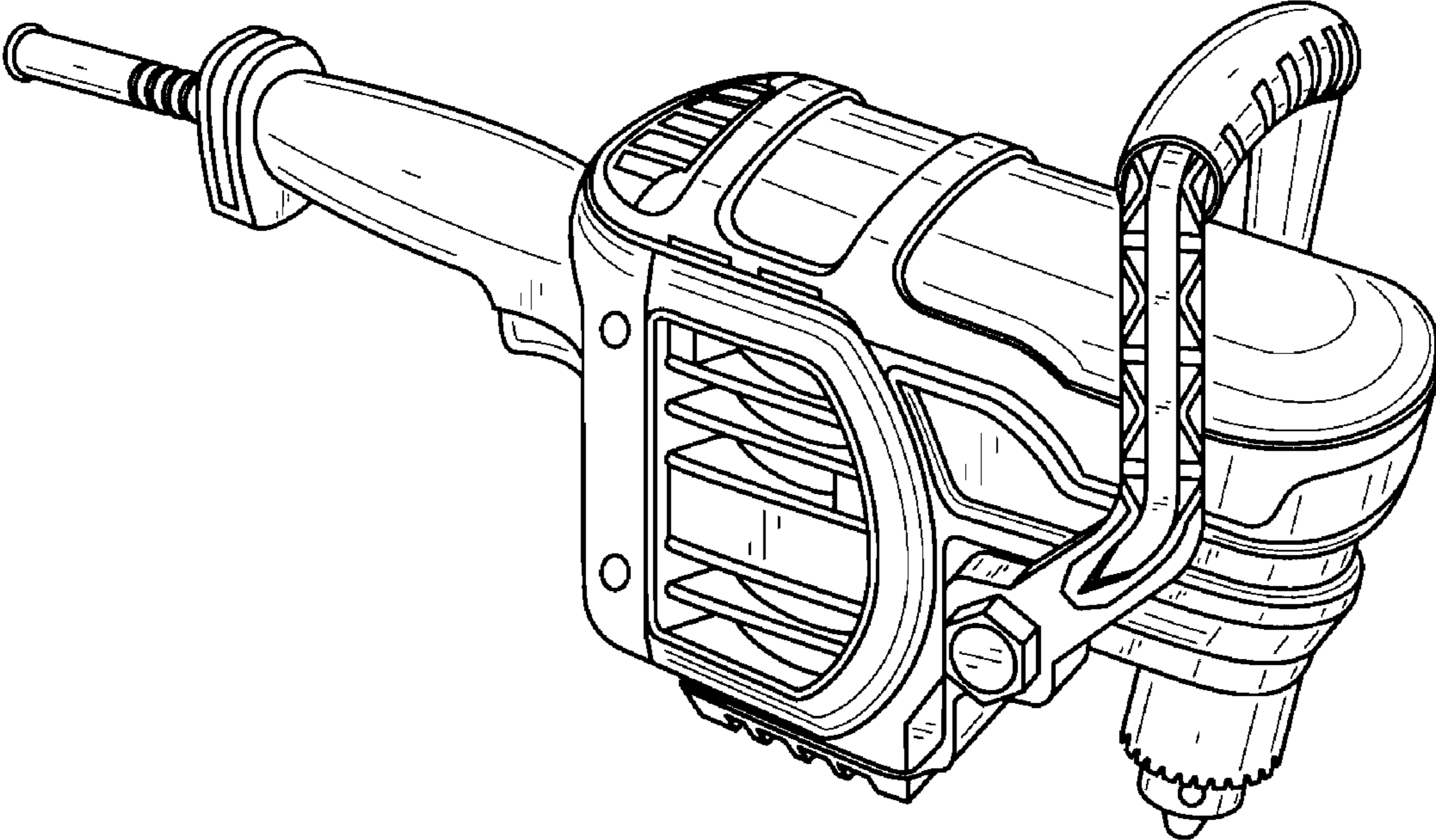


FIG. 7