



US00D600084S

(12) **United States Design Patent**
Hbaiu

(10) **Patent No.:** **US D600,084 S**

(45) **Date of Patent:** **** Sep. 15, 2009**

(54) **BOTTLE OPENER AND CIGAR SPLITTER**

2007/0051382 A1* 3/2007 Alls 131/329

(76) Inventor: **Almuntasser Hbaiu**, 116 N. Heliotrope Ave., Monrovia, CA (US) 91016

* cited by examiner

Primary Examiner—Joel Sincavage

Assistant Examiner—Garth Rademaker

(74) *Attorney, Agent, or Firm*—Jerry Fong

(**) Term: **14 Years**

(21) Appl. No.: **29/314,064**

(57) **CLAIM**

(22) Filed: **Mar. 3, 2009**

The ornamental design for a bottle opener and cigar splitter, as shown and described.

(51) **LOC (9) Cl.** **07-99**

(52) **U.S. Cl.** **D8/40; D27/195**

(58) **Field of Classification Search** D8/14,
D8/16–19, 33–43, 88, 89; D27/194, 195;
7/151; 81/3.07, 3.09, 3.22, 3.29, 3.35, 3.37,
81/3.4, 3.55; 131/329

See application file for complete search history.

DESCRIPTION

FIG. 1 is a perspective view of a bottle opener and cigar splitter, showing my new design;

FIG. 2 is a side elevational view, the opposite side being a mirror image thereof;

FIG. 3 is a top plan view thereof;

FIG. 4 is a bottom plan view thereof;

FIG. 5 is a front elevational view thereof, shown at an enlarged scale; and,

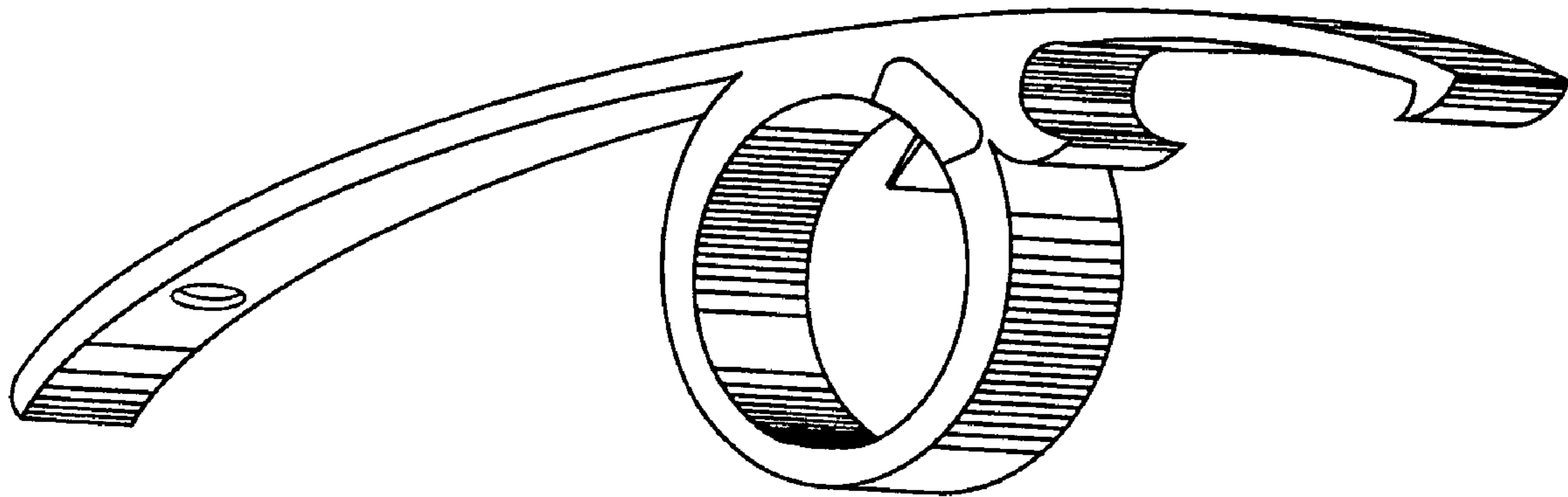
FIG. 6 is a rear elevational view thereof, shown at an enlarged scale.

(56) **References Cited**

U.S. PATENT DOCUMENTS

D222,659 S *	11/1971	Hillis	D8/40
D245,347 S *	8/1977	Casey	D27/195
D276,304 S *	11/1984	DiFede	D8/40
D319,954 S *	9/1991	Able et al.	D8/18
D404,268 S *	1/1999	Kennedy	D8/33
D444,690 S *	7/2001	Bond	D8/89

1 Claim, 2 Drawing Sheets



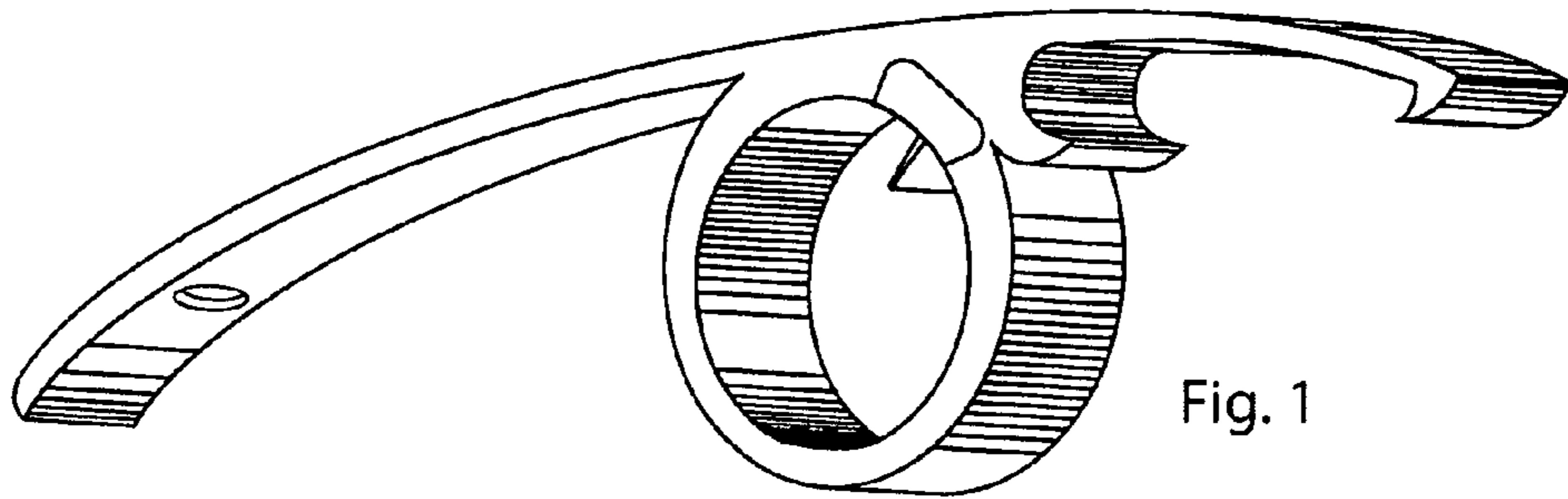


Fig. 1

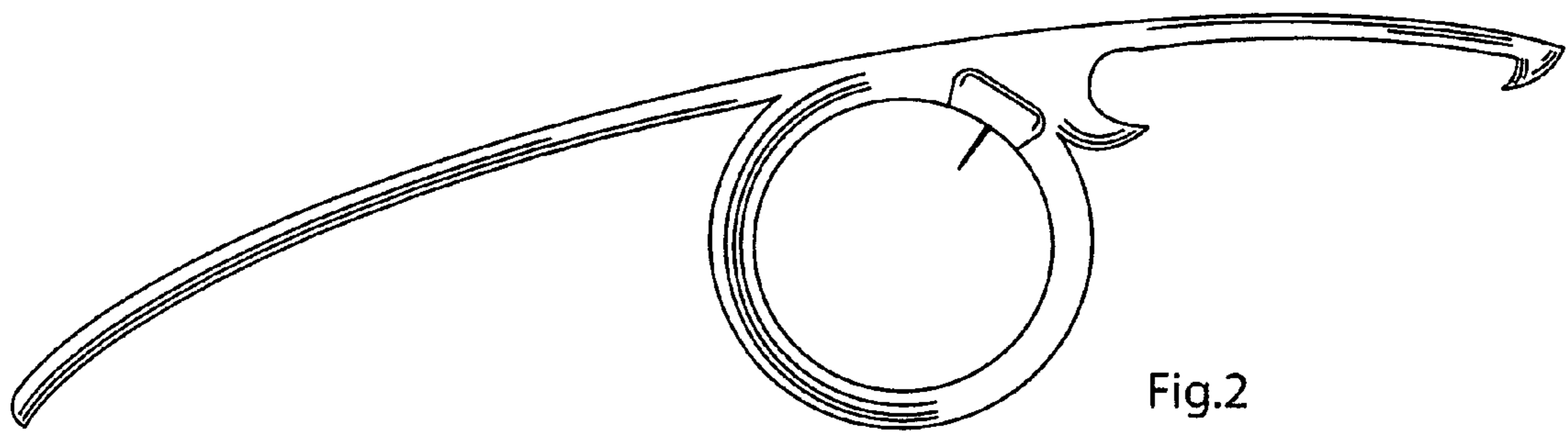


Fig. 2

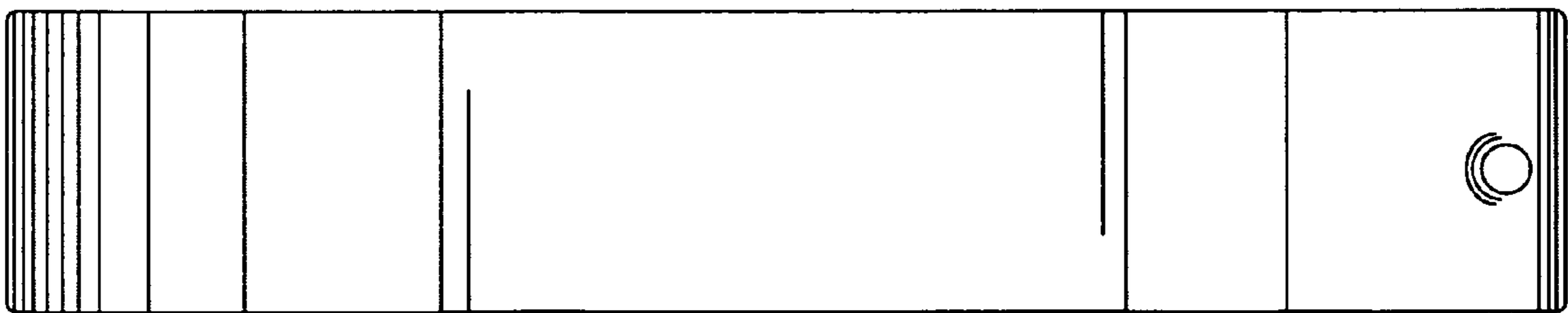


Fig. 3

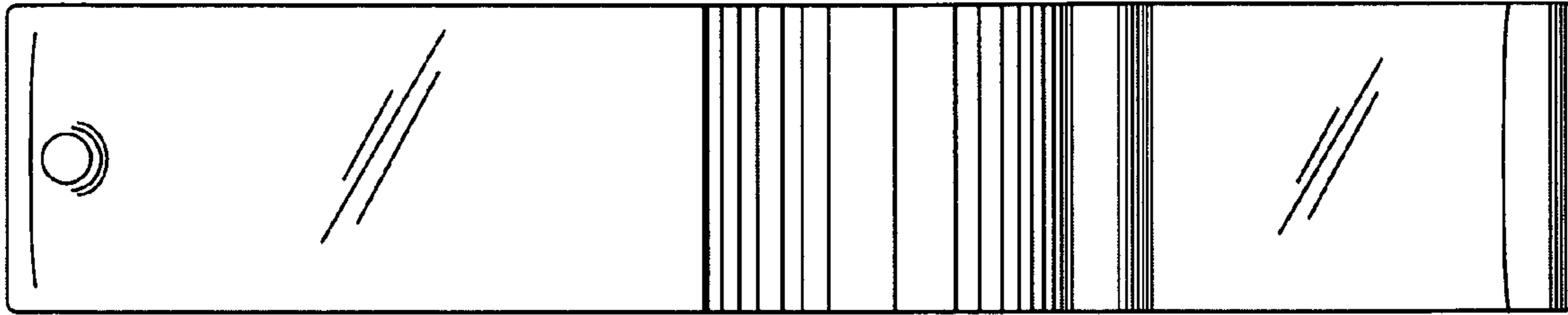


Fig. 4

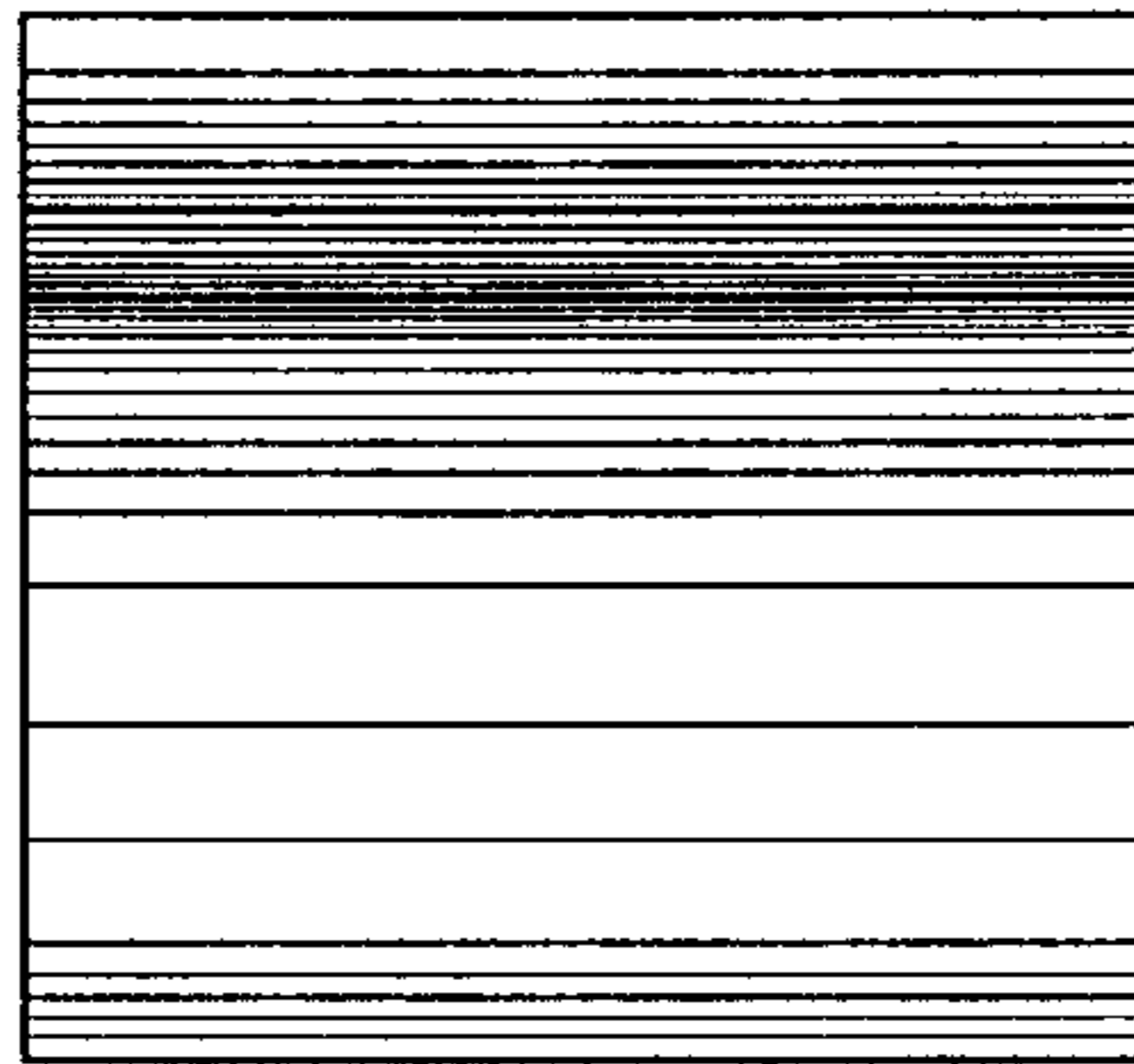


Fig. 5

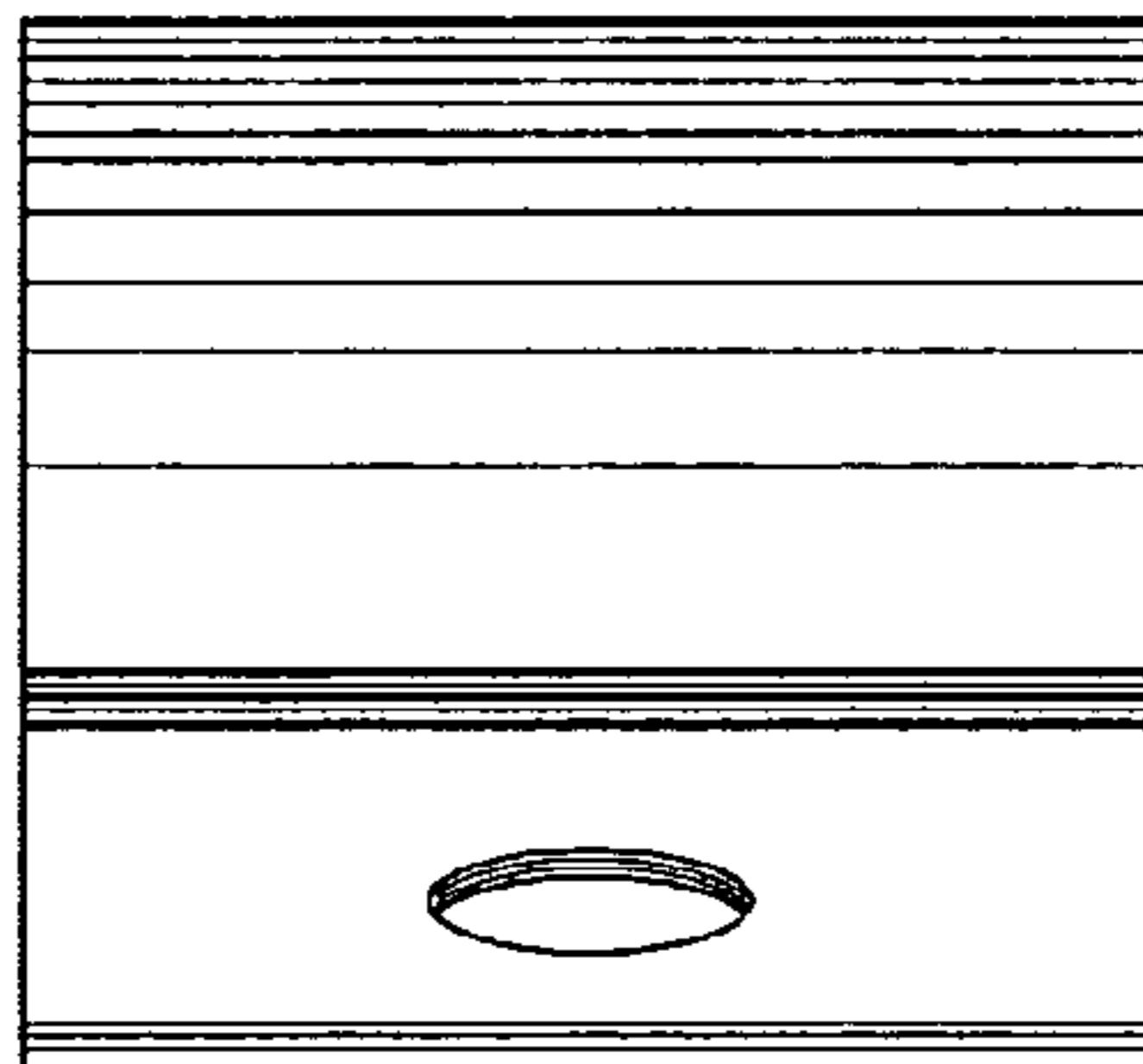


Fig. 6