



US00D600083S

(12) **United States Design Patent**
Kerce

(10) **Patent No.:** **US D600,083 S**

(45) **Date of Patent:** **** Sep. 15, 2009**

(54) **CLAW WRENCH HEAD**

(76) **Inventor:** **David Kerce**, P.O. Box 12203, Odessa,
TX (US) 79768

(**) **Term:** **14 Years**

(21) **Appl. No.:** **29/332,569**

(22) **Filed:** **Feb. 19, 2009**

(51) **LOC (9) Cl.** **08-05**

(52) **U.S. Cl.** **D8/28**

(58) **Field of Classification Search** D8/21-29;
81/60, 177.1, 177.85, 121.1, 124.3, 165-170,
81/110.1, 176.2, 124.6, 176.1, 176.15, 177.2;
16/110.1; D15/144.1; 219/75, 227, 229,
219/121.16, 121.18

See application file for complete search history.

(56) **References Cited**

U.S. PATENT DOCUMENTS

2,832,246	A *	4/1958	Livermont	81/177.85
4,688,454	A *	8/1987	Scull	81/119
D357,618	S *	4/1995	Macor	D8/28
D433,895	S *	11/2000	Kindel	D8/28
6,276,240	B1 *	8/2001	Blacklock	81/119
D519,008	S *	4/2006	Chaconas	D8/28
7,140,275	B1 *	11/2006	Staples	81/119
D541,120	S *	4/2007	Chaconas	D8/28

* cited by examiner

Primary Examiner—Raphael Barkai
Assistant Examiner—Randall H Gholson

(74) *Attorney, Agent, or Firm*—Scheinberg & Griner, LLP;
Michael O. Scheinberg; Robert McMinn

(57) **CLAIM**

The ornamental design for a claw wrench head, as shown and described.

DESCRIPTION

The article in which the present design is embodied is a wrench head which can be used to grasp a nut or bolt head.

FIG. 1 is a perspective view of a first embodiment of a claw wrench head.

FIG. 2 is a front elevational view of the embodiment of FIG. 1.

FIG. 3 is a top down view of the embodiment of FIG. 1.

FIG. 4 is a bottom up view of the embodiment of FIG. 1.

FIG. 5 is a right side view of the embodiment of FIG. 1.

FIG. 6 is a left side view of the embodiment of FIG. 1.

FIG. 7 is a perspective view of a second embodiment of a claw wrench head.

FIG. 8 is a front elevational view of the embodiment of FIG. 7.

FIG. 9 is a top down view of the embodiment of FIG. 7.

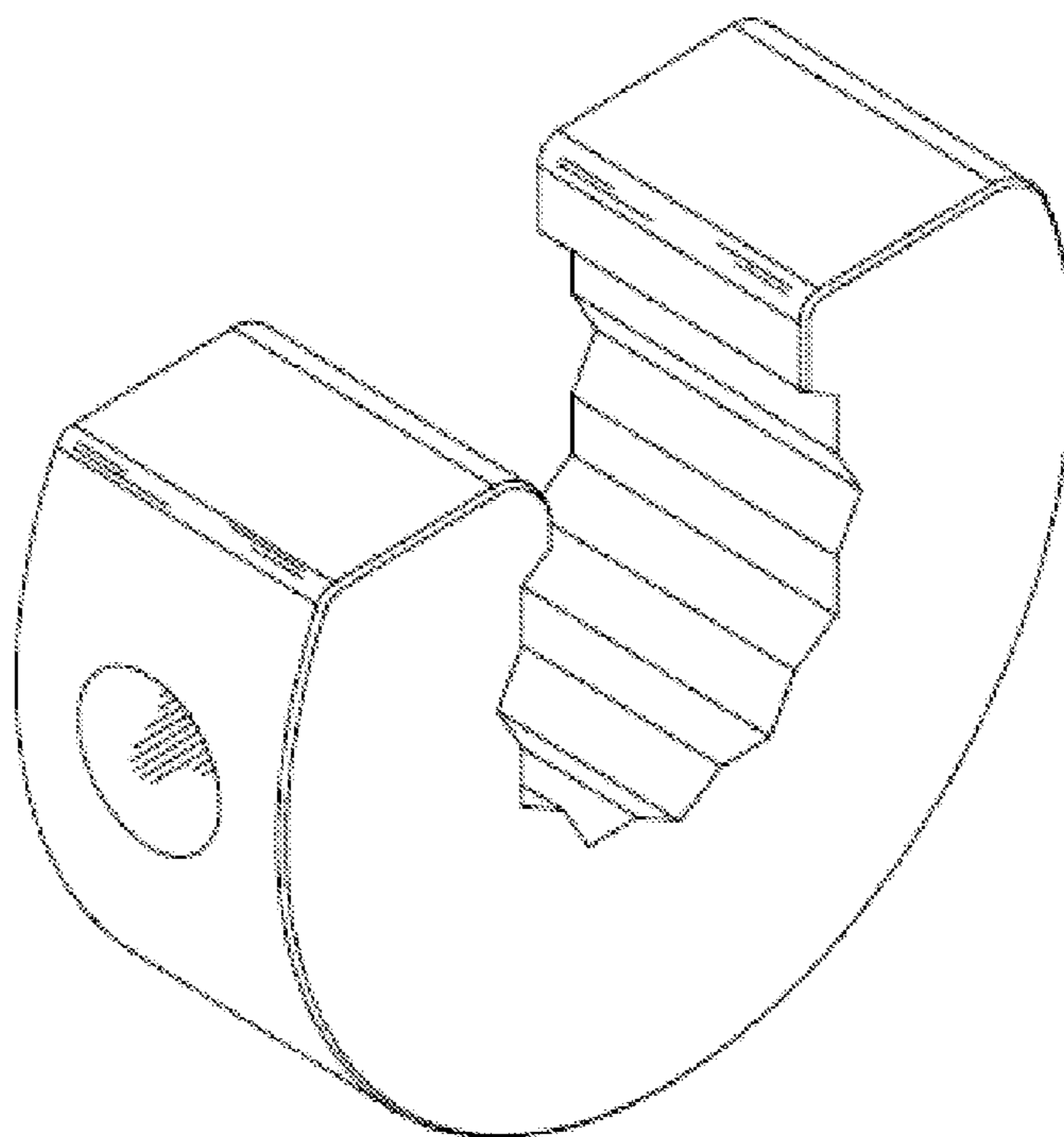
FIG. 10 is a bottom up view of the embodiment of FIG. 7.

FIG. 11 is a right side view of the embodiment of FIG. 7; and,

FIG. 12 is a left side view of the embodiment of FIG. 7.

Components shown by broken lines are for illustrative purposes only and form no part of the claimed design.

1 Claim, 12 Drawing Sheets



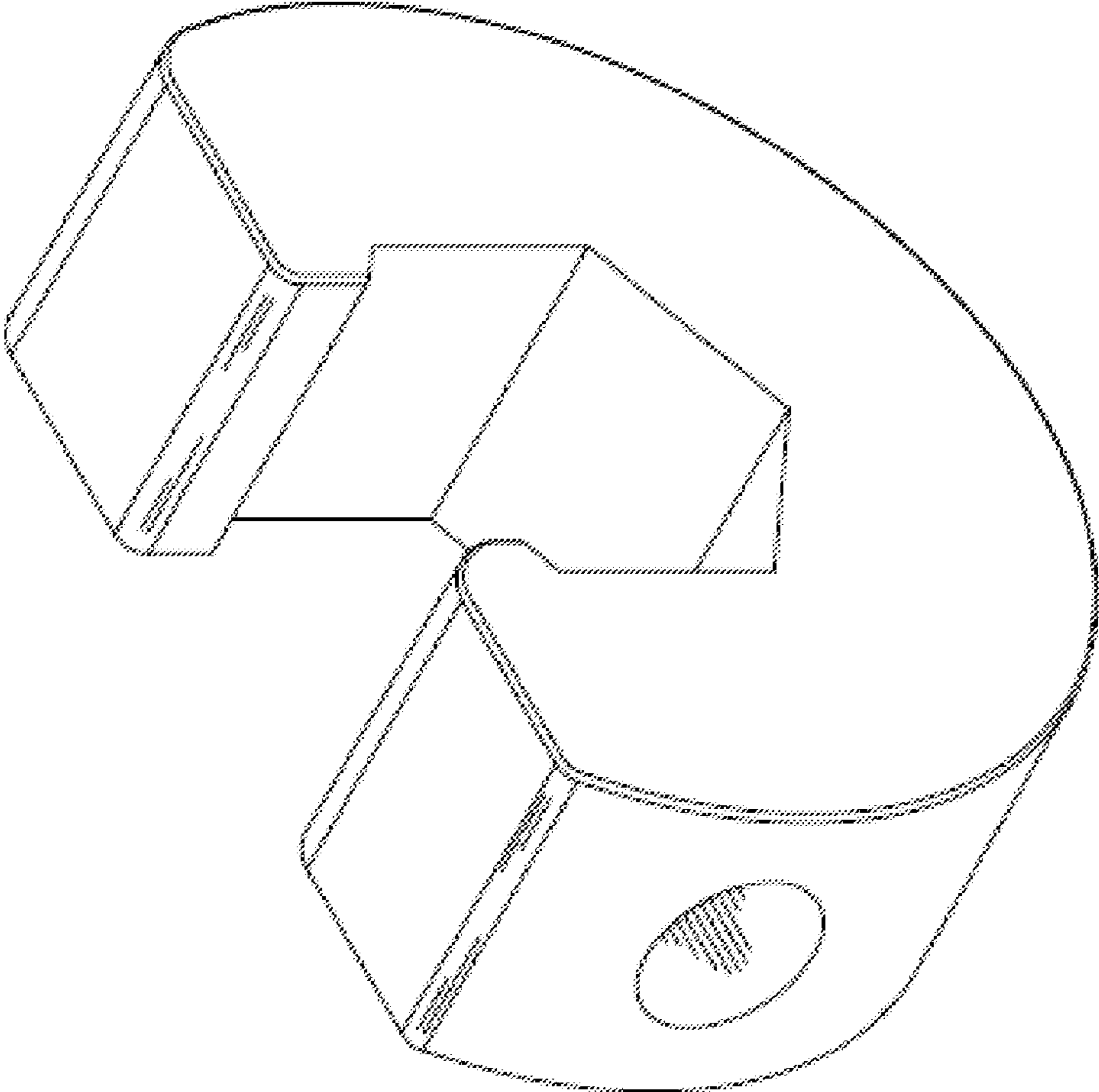


FIG. 1

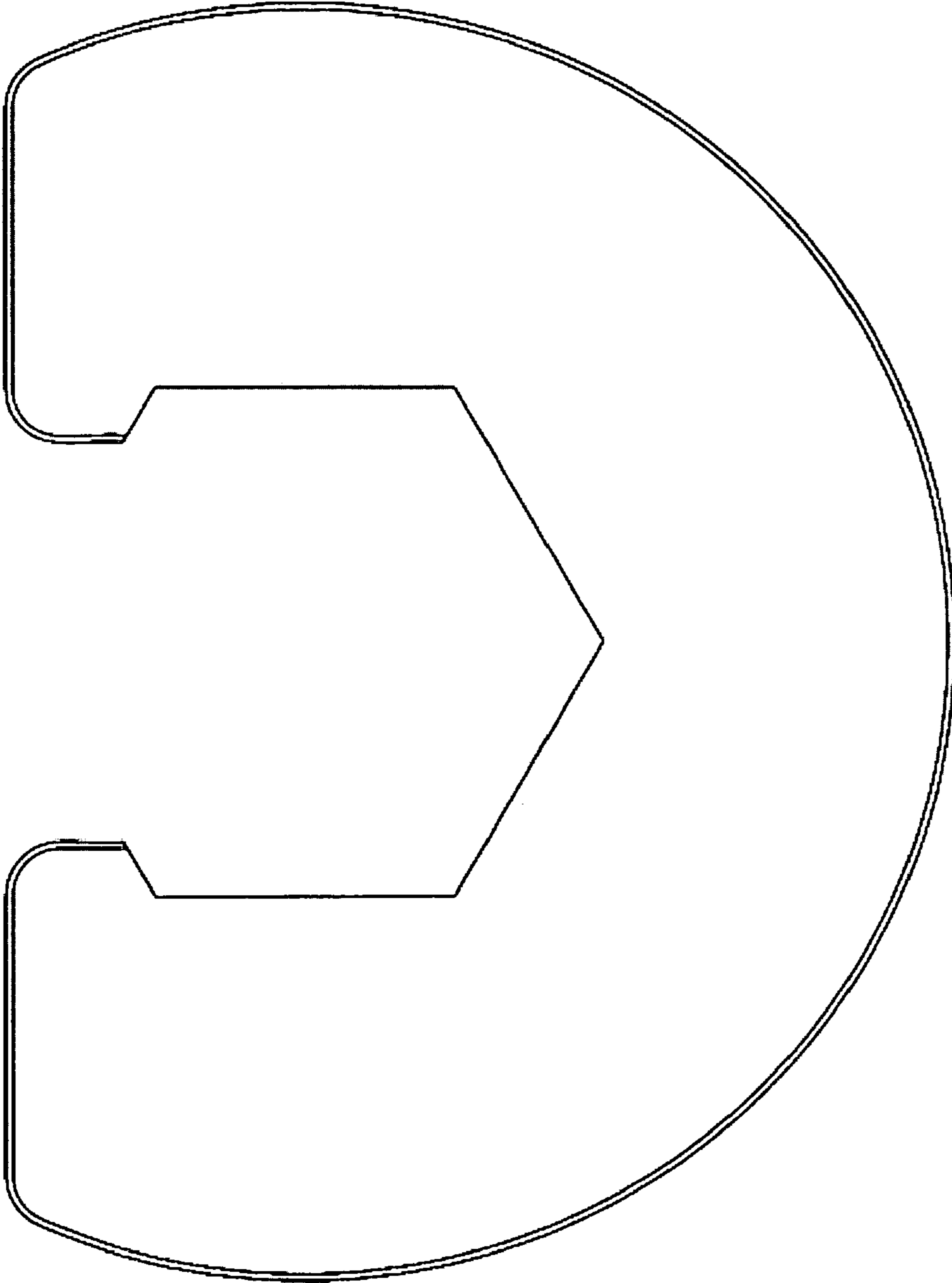


FIG. 2

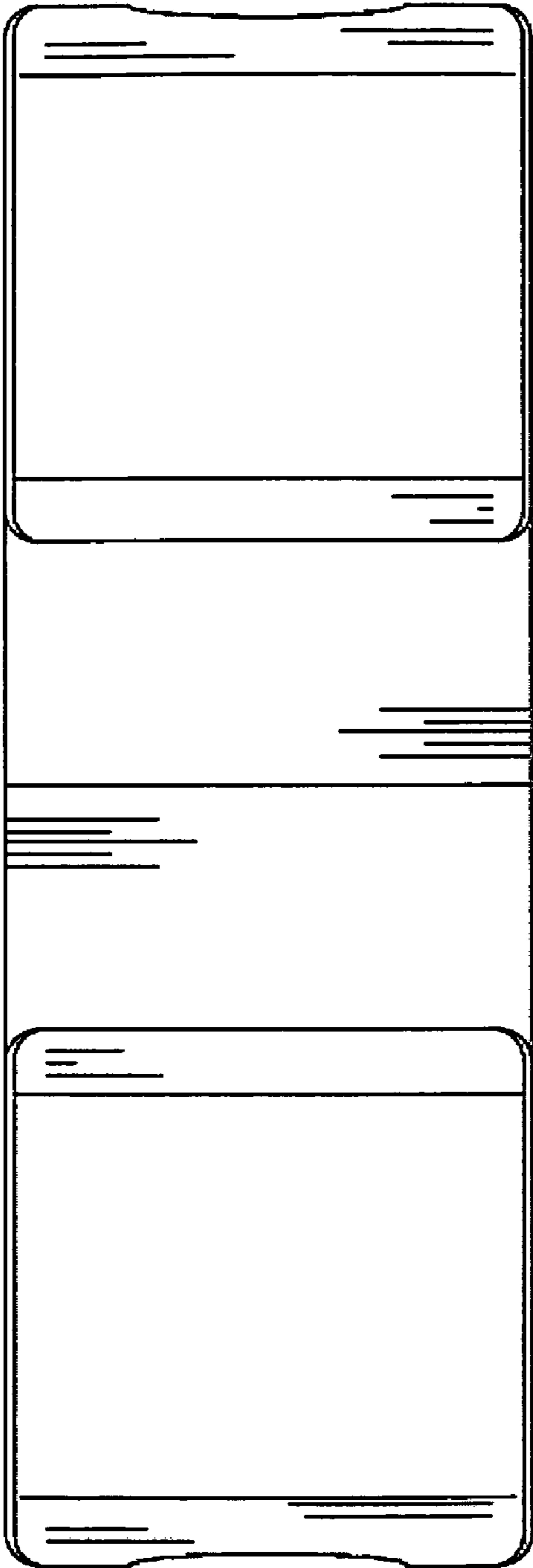


FIG. 3

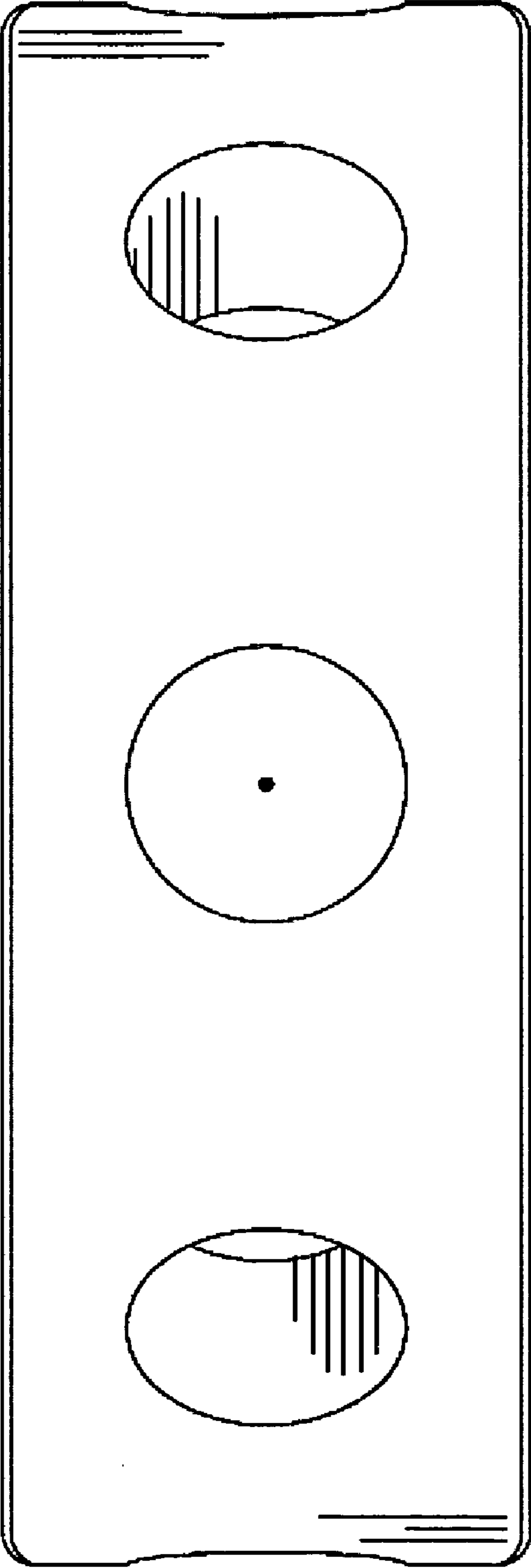


FIG. 4

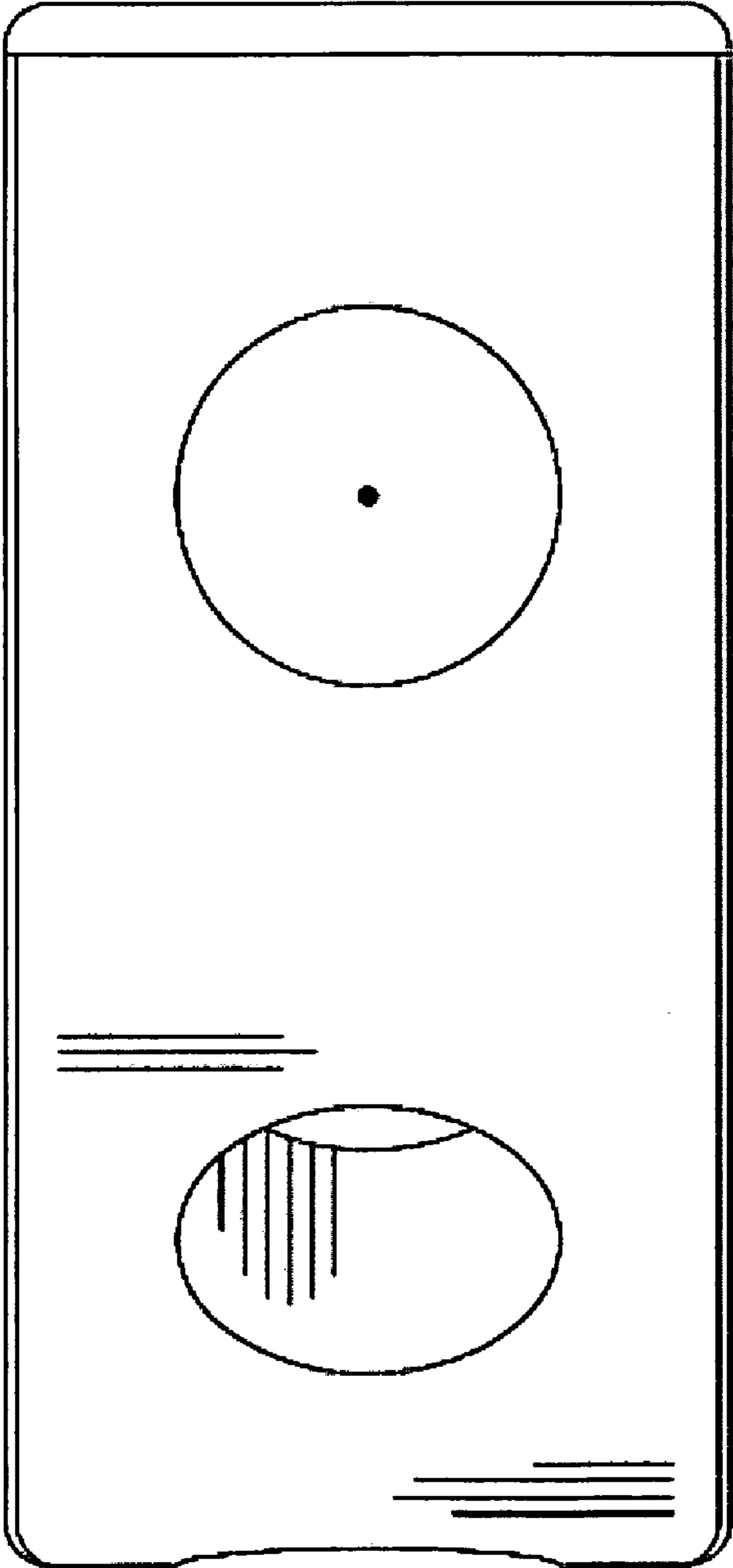


FIG. 5

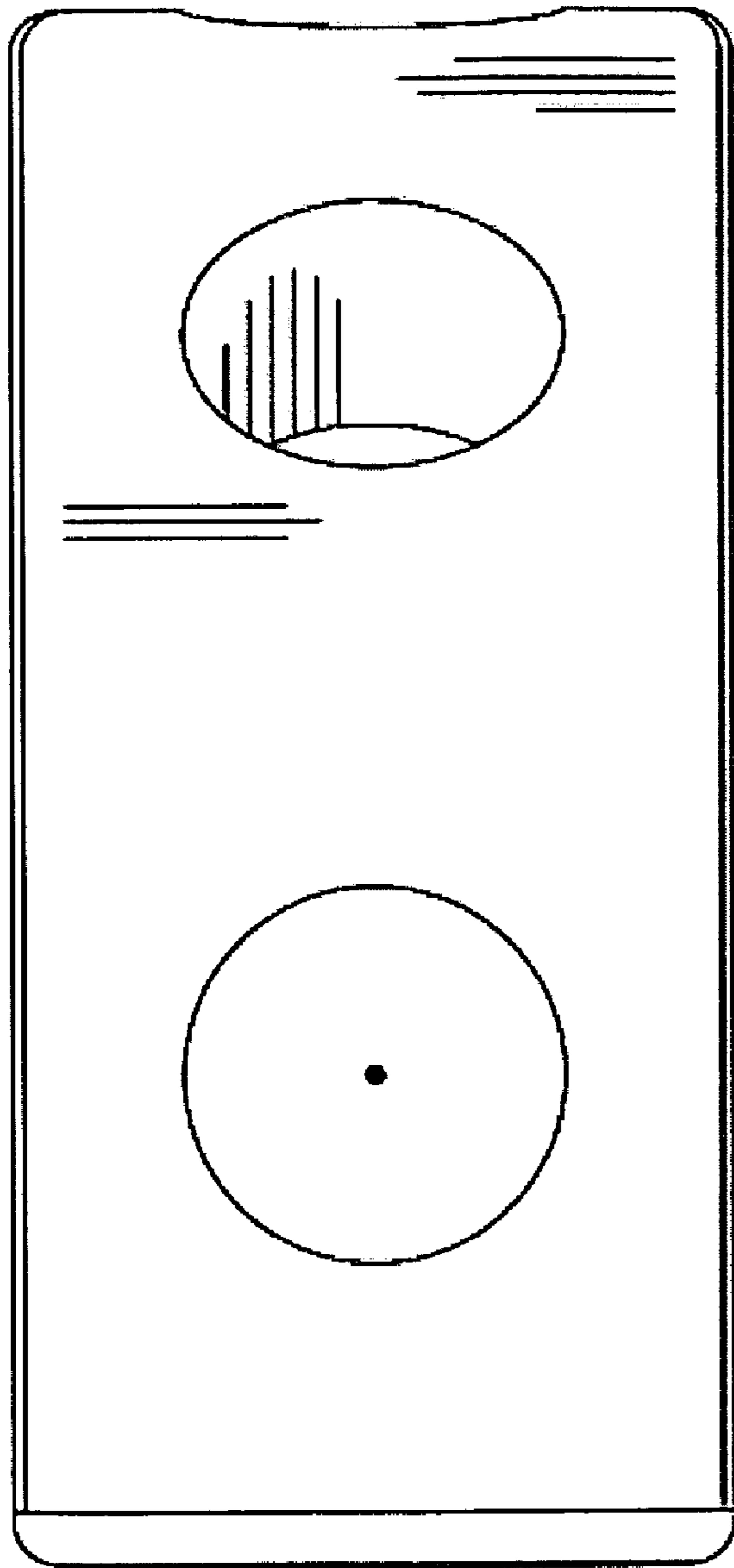


FIG. 6

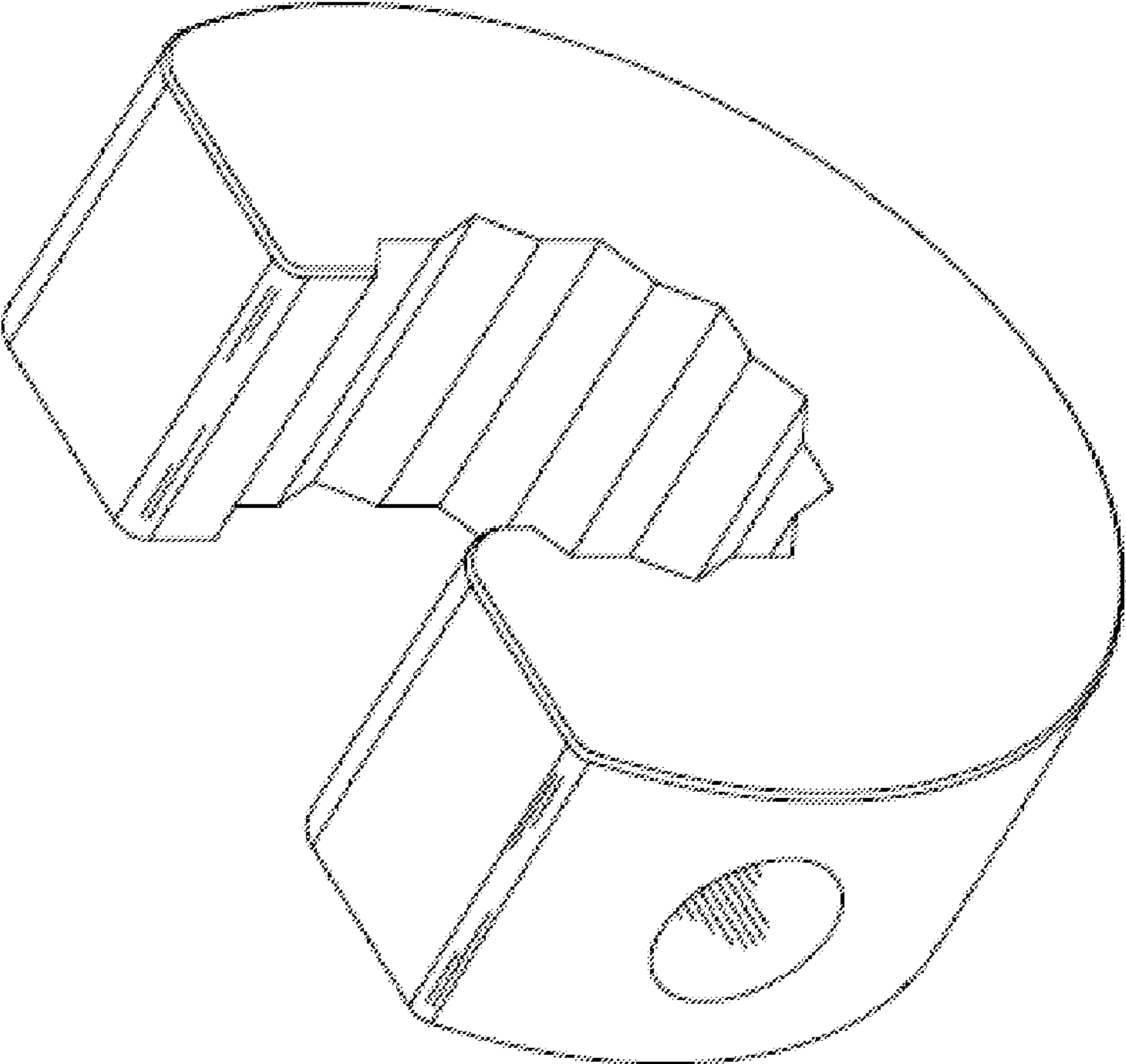


FIG. 7

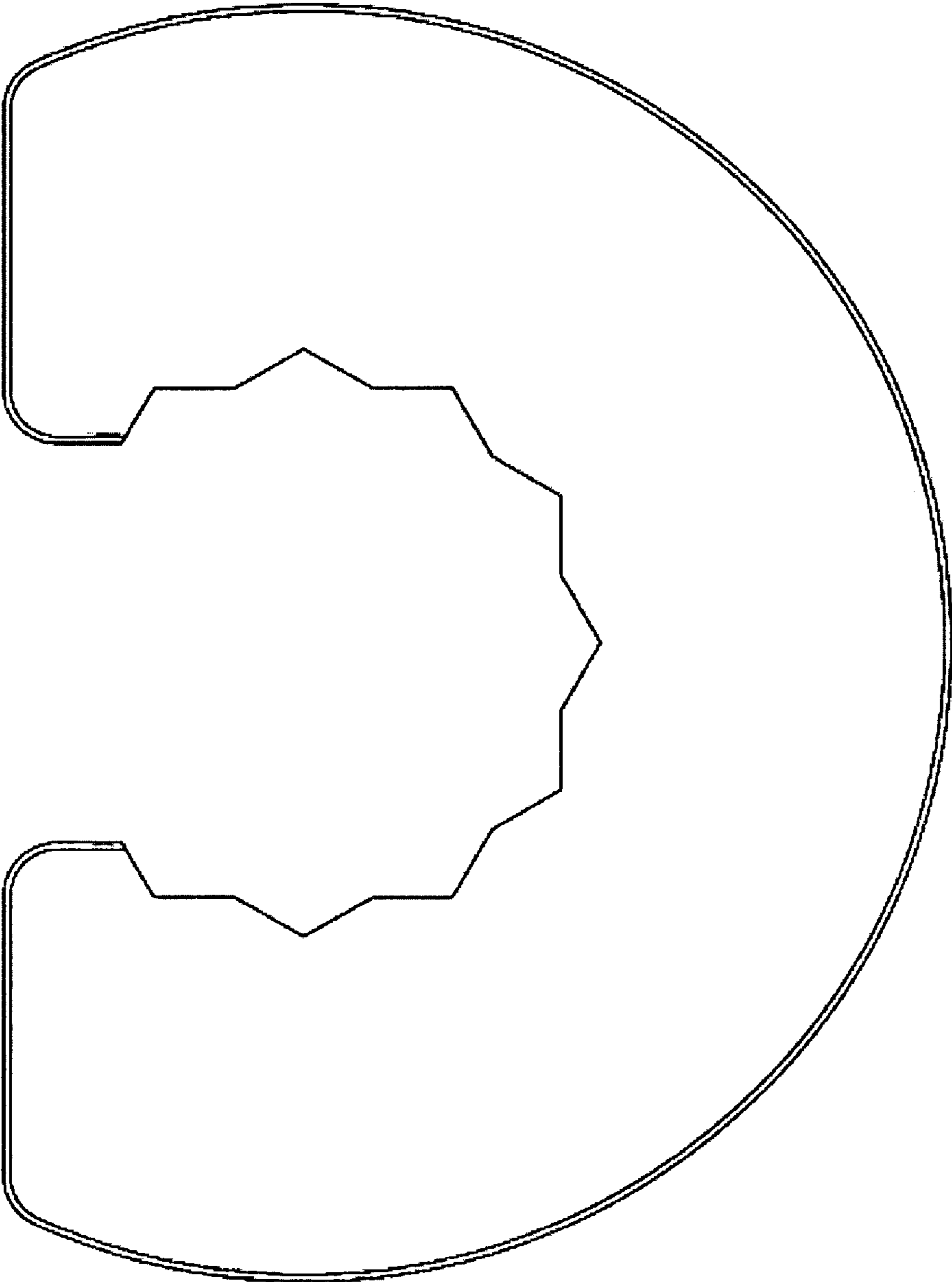


FIG. 8

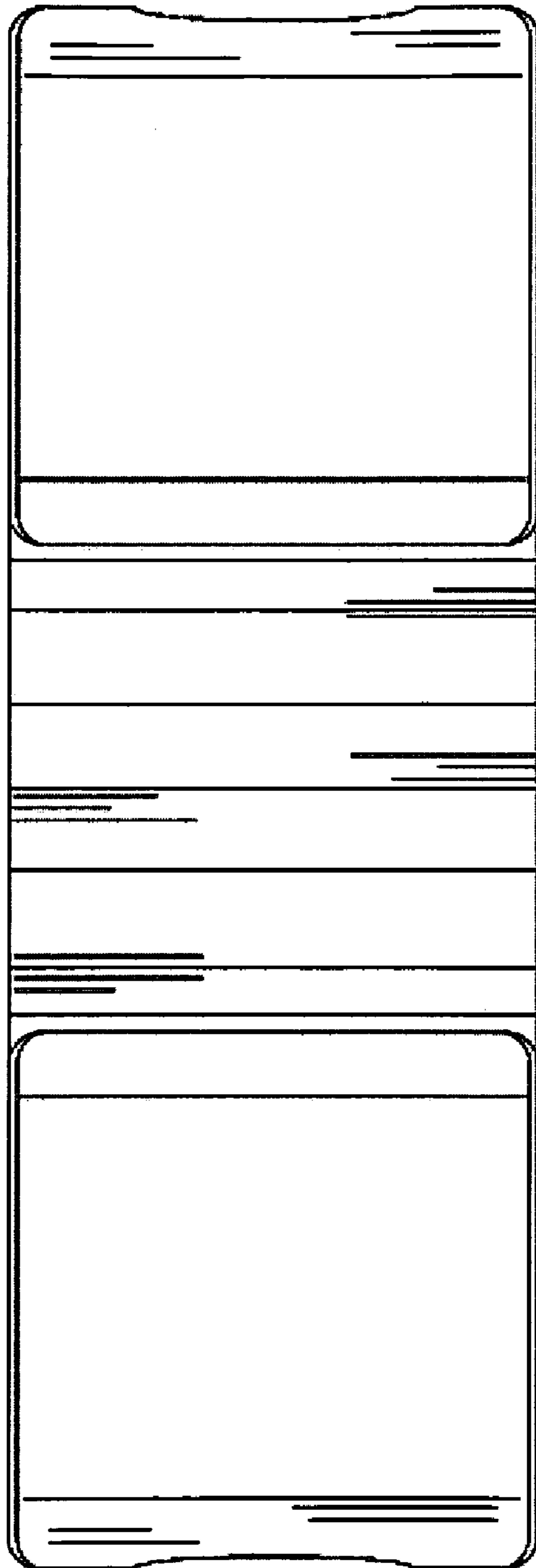


FIG. 9

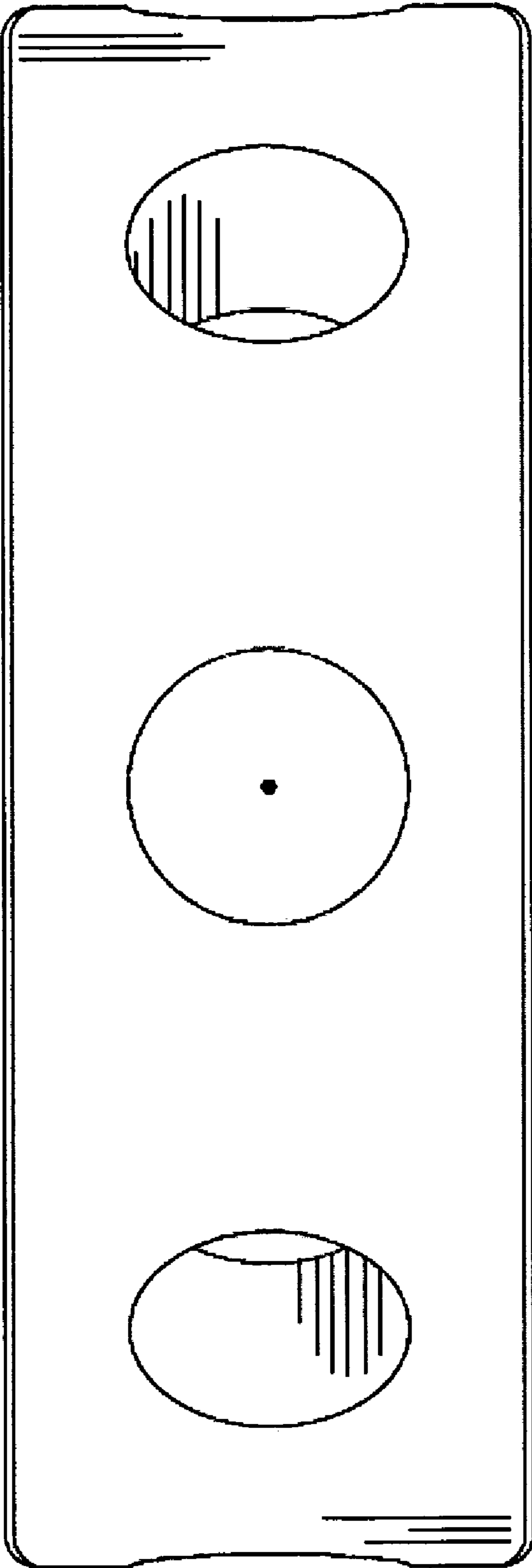


FIG. 10

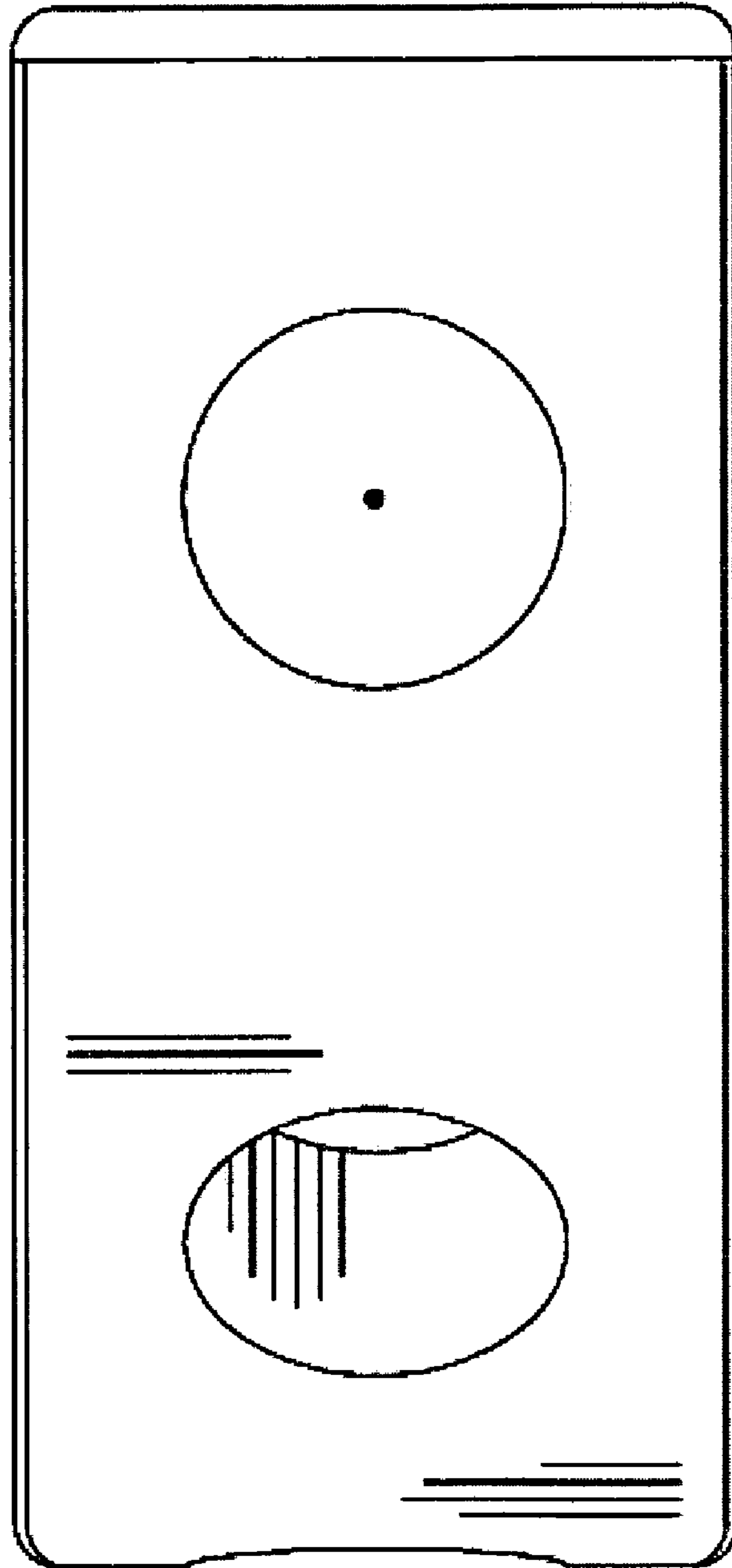


FIG. 11

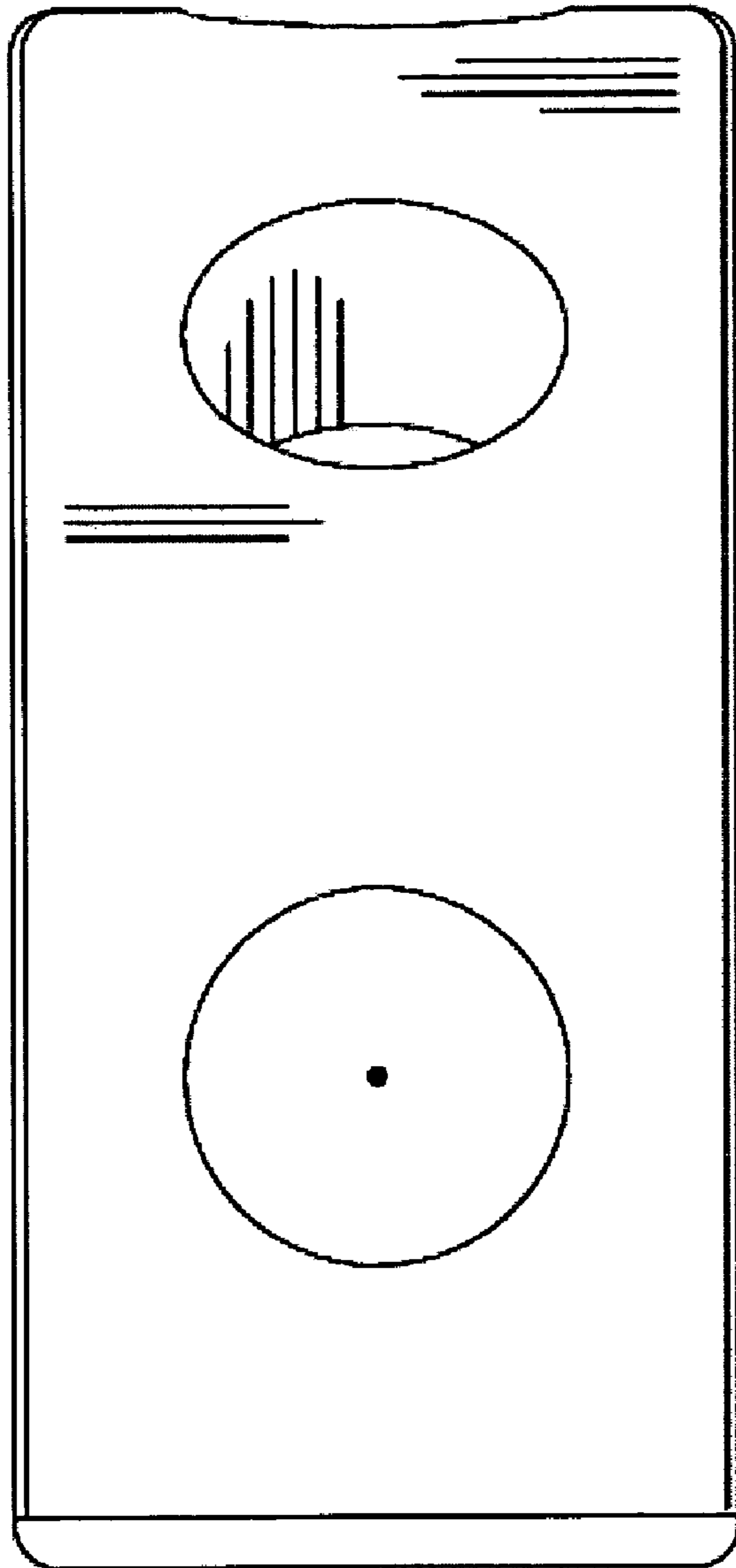


FIG. 12