



US00D600077S

(12) **United States Design Patent**
Barnes, Jr.

(10) **Patent No.:** **US D600,077 S**

(45) **Date of Patent:** **** Sep. 15, 2009**

(54) **ADJUSTABLE CUP HOLDER**

(75) Inventor: **John M. Barnes, Jr.**, Rock Hill, SC
(US)

(73) Assignee: **Drink Clip, LLC**, Rock Hill, SC (US)

(**) Term: **14 Years**

(21) Appl. No.: **29/313,126**

(22) Filed: **Dec. 10, 2008**

(51) **LOC (9) Cl.** **07-06**

(52) **U.S. Cl.** **D7/620**

(58) **Field of Classification Search** D7/619.1-625;
248/311.2, 309.1; 224/448, 545, 547, 548,
224/549, 558, 926, 270, 441

See application file for complete search history.

(56) **References Cited**

U.S. PATENT DOCUMENTS

2,926,879	A	3/1960	Dietrich	
3,814,367	A	6/1974	Rasmussen	
4,131,259	A	12/1978	Franks	
4,191,350	A	3/1980	Ormond	
4,887,784	A	12/1989	Kayali	
4,997,156	A	3/1991	Allen	
5,014,956	A	5/1991	Kayali	
D370,835	S *	6/1996	Nachtrab	D7/620
5,853,158	A	12/1998	Riggle	
6,227,511	B1	5/2001	De Costa	
6,409,137	B1	6/2002	Tran	
D512,275	S *	12/2005	Kent-Fawkes	D7/622
D517,373	S *	3/2006	Cappellino et al.	D7/620
D548,536	S *	8/2007	Ellis	D7/620

7,284,737	B2	10/2007	Kane	
D559,043	S *	1/2008	Peota et al.	D7/620
2002/0179794	A1 *	12/2002	Yang	248/311.2
2006/0081750	A1	4/2006	Kazyaka	
2009/0121107	A1 *	5/2009	Lagobi	248/311.2

FOREIGN PATENT DOCUMENTS

FR 2888795 1/2007

OTHER PUBLICATIONS

Cabela's Catalog Advertisement; "Rail/Mount Drink Holder"; p. 97; published prior to Dec. 3, 2008.

* cited by examiner

Primary Examiner—Terry A. Wallace

(74) *Attorney, Agent, or Firm*—Schwartz Law Firm, P.C.

(57) **CLAIM**

I claim the ornamental design for a adjustable cup holder, as shown and described.

DESCRIPTION

FIG. 1 is a perspective view of an adjustable cup holder according the present design;

FIG. 2 is a side view of the adjustable cup holder; the opposite side being a substantial mirror image thereof;

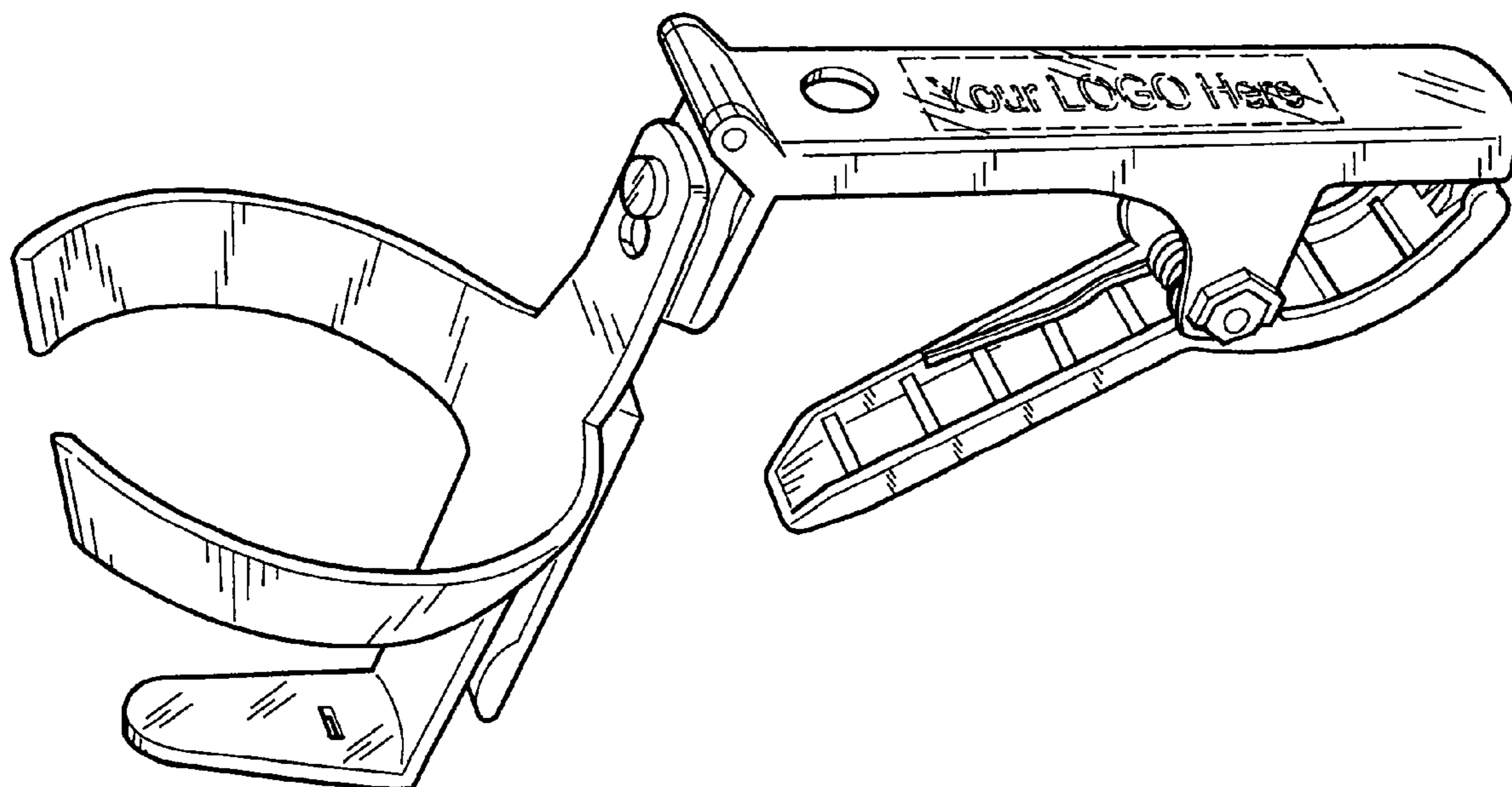
FIG. 3 is a front view of the adjustable cup holder;

FIG. 4 is a top view of the adjustable cup holder; and,

FIG. 5 is a further perspective view of the adjustable cup holder folded in a stowed position.

The broken lines are for illustrative purposes only and form no part of the claimed design.

1 Claim, 5 Drawing Sheets



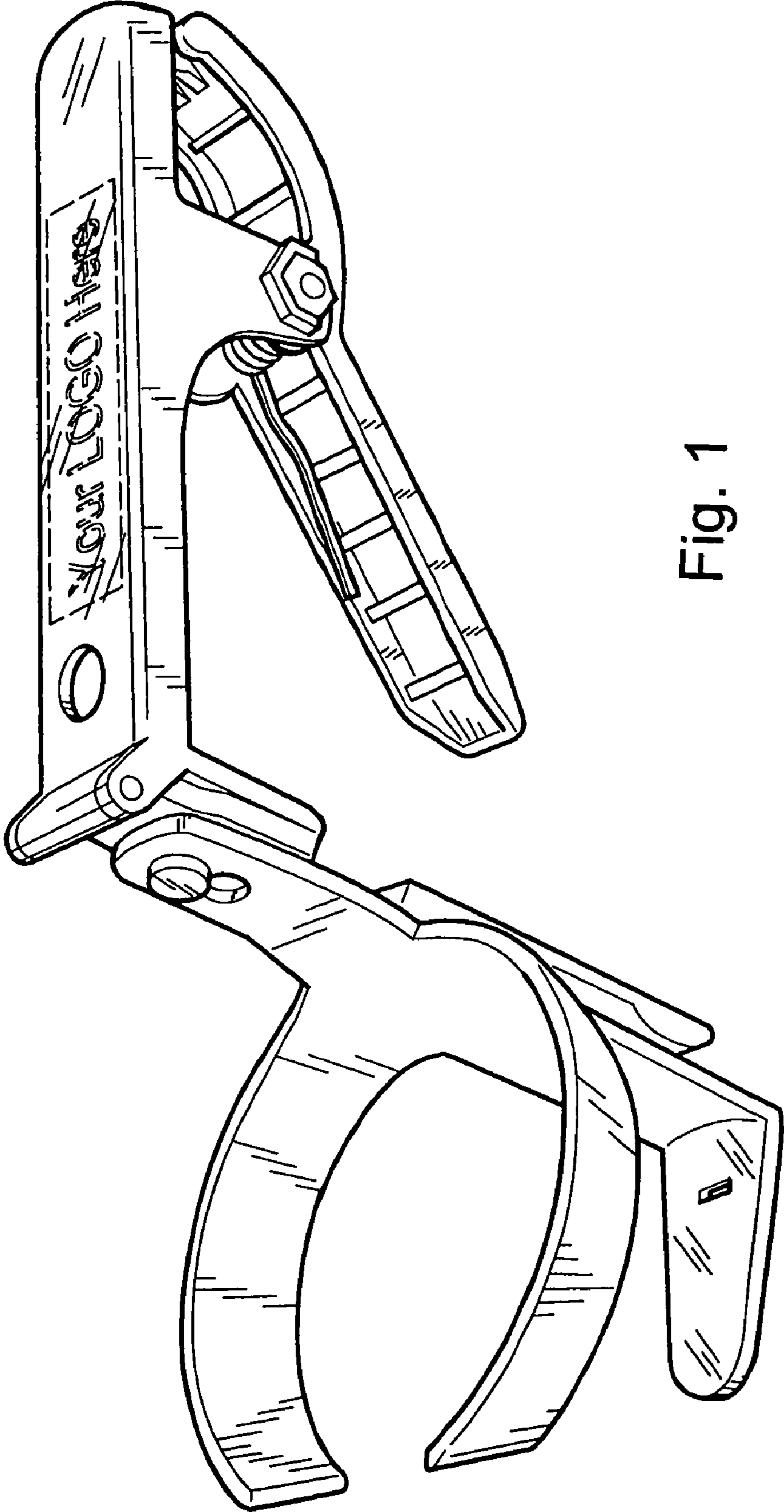


Fig. 1

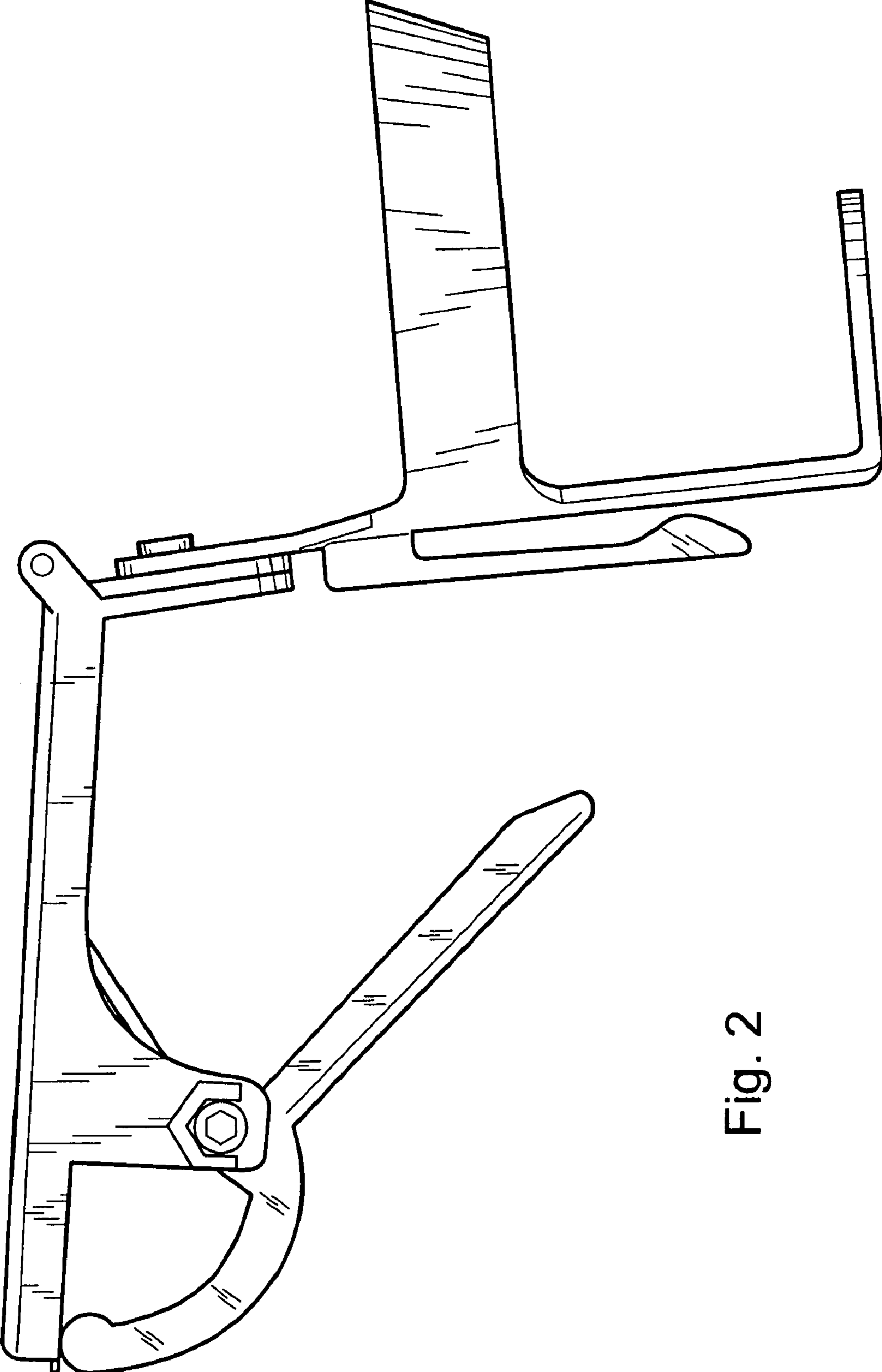


Fig. 2

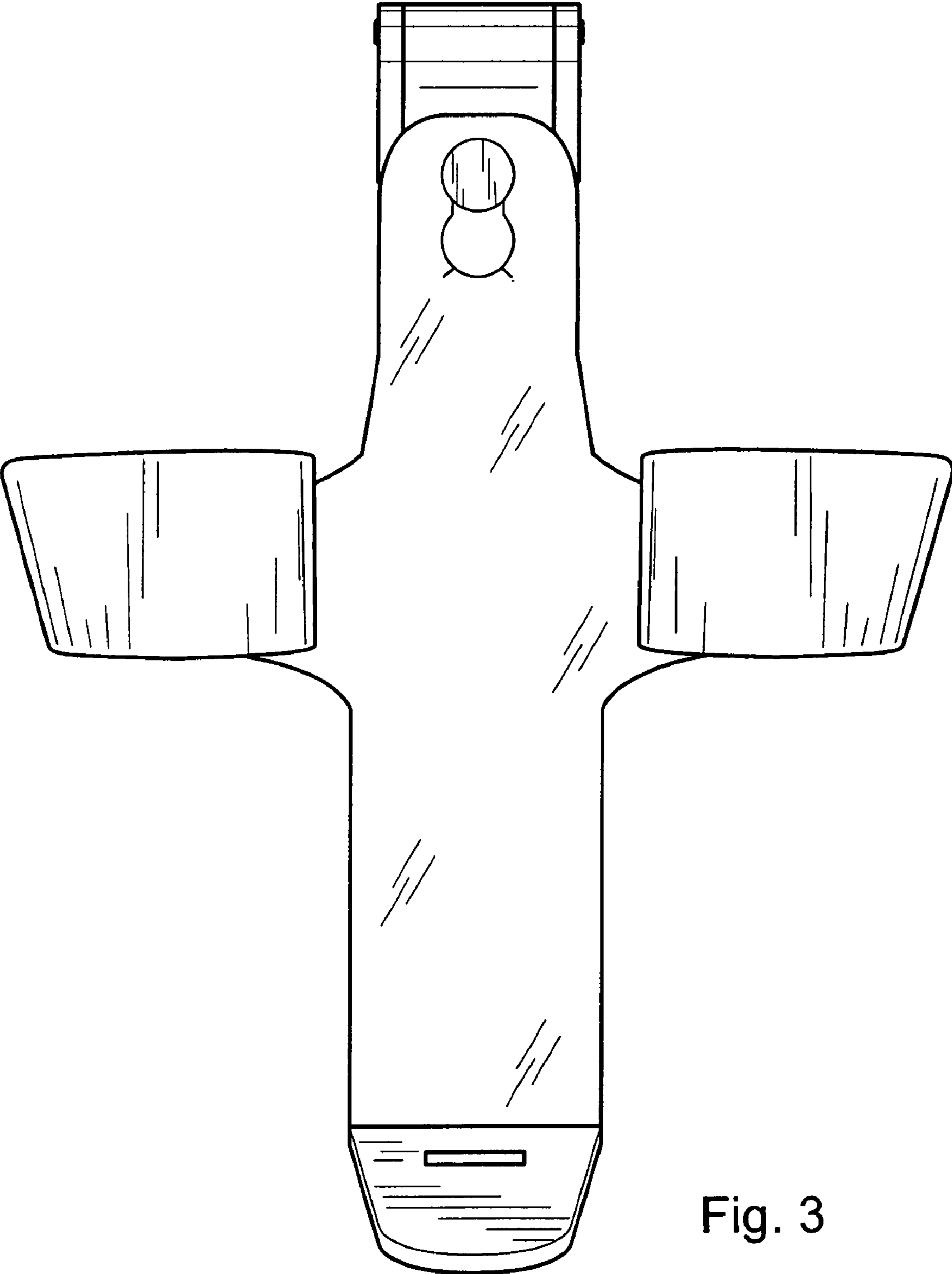


Fig. 3

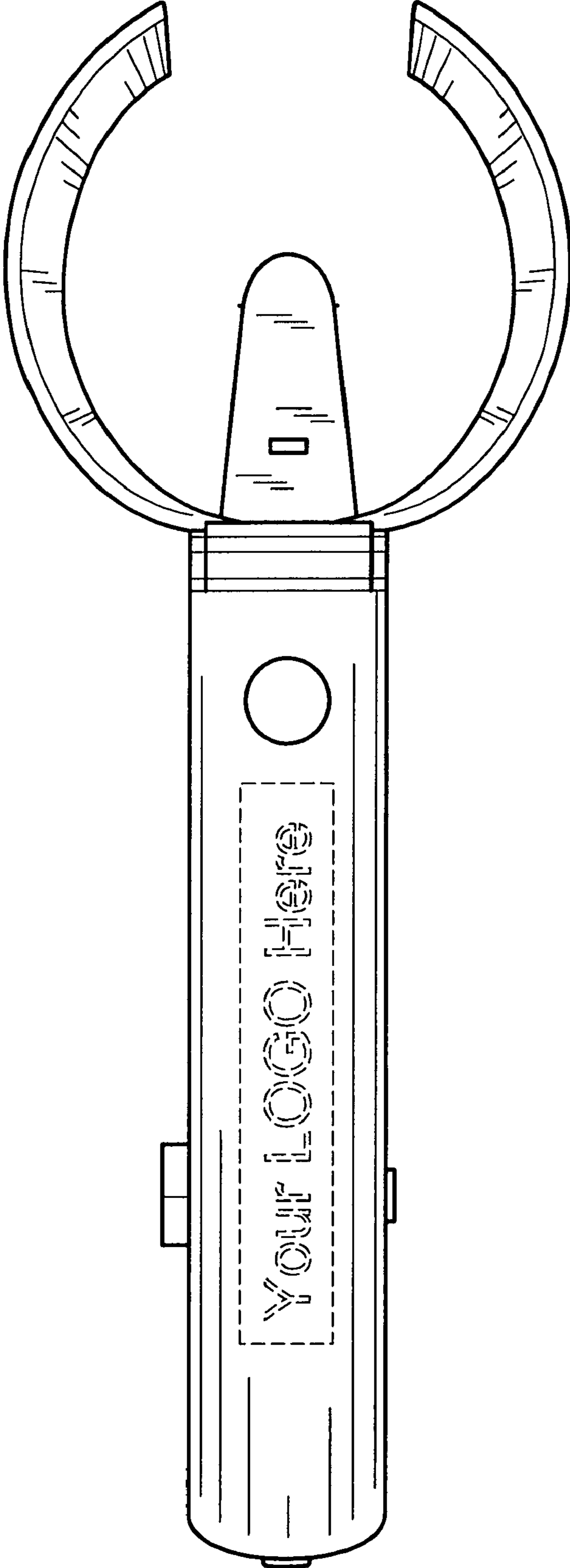


Fig. 4

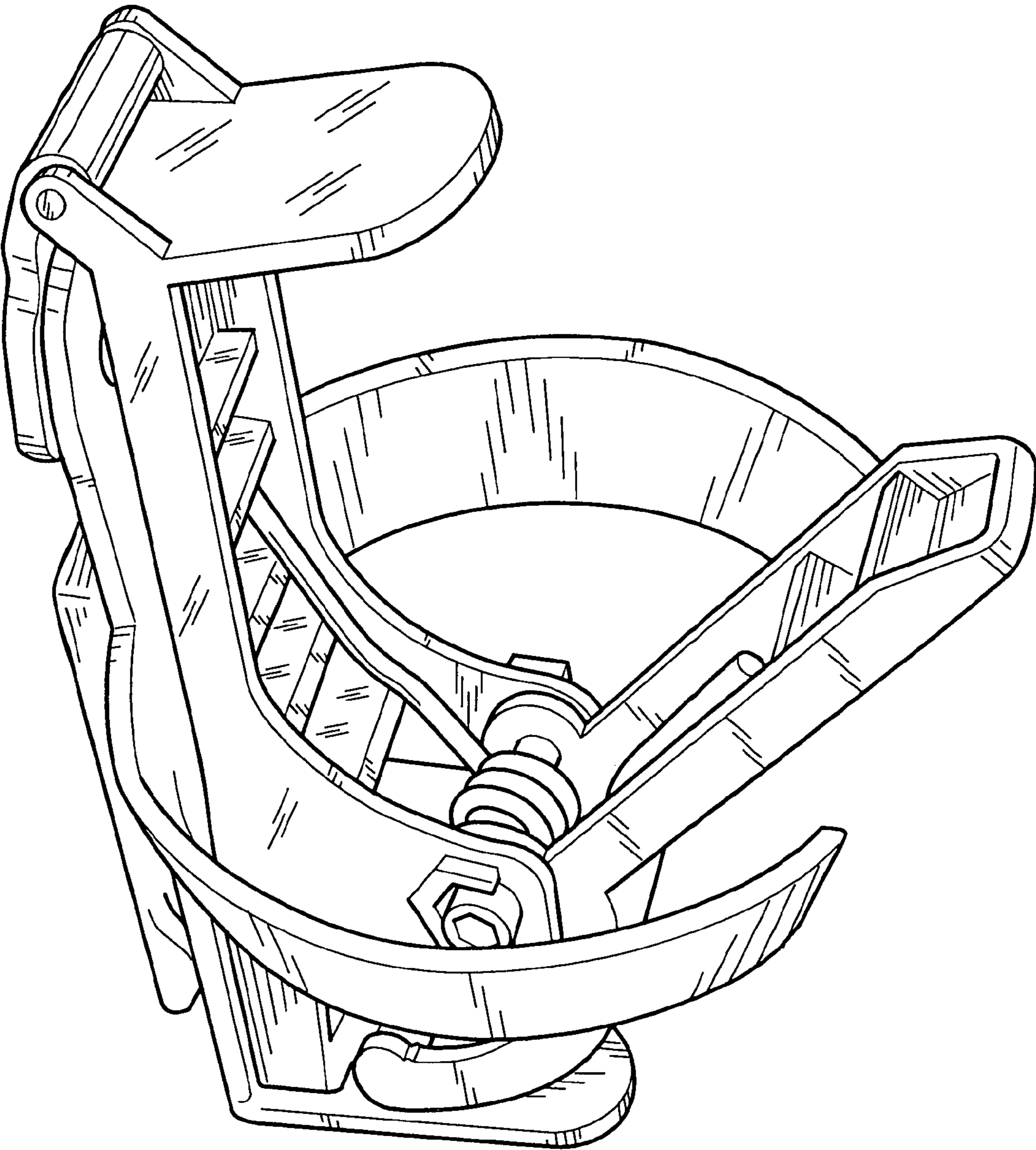


Fig. 5