



US00D600073S

(12) **United States Design Patent**  
**Carreno**

(10) **Patent No.:** **US D600,073 S**

(45) **Date of Patent:** **\*\* Sep. 15, 2009**

(54) **MUG/TUMBLER**

(75) Inventor: **Alfredo Carreno**, Aurora, IL (US)

(73) Assignee: **Thermos L.L.C.**, Rolling Meadows, IL (US)

(\*\*) Term: **14 Years**

(21) Appl. No.: **29/294,713**

(22) Filed: **Jan. 24, 2008**

(51) **LOC (9) Cl.** ..... **07-01**

(52) **U.S. Cl.** ..... **D7/523; D7/533; D7/509**

(58) **Field of Classification Search** ..... D7/608,  
D7/507-511, 523, 531-536; D9/504, 778;  
220/703, 713

See application file for complete search history.

(56) **References Cited**

**U.S. PATENT DOCUMENTS**

D218,288 S *	8/1970	Smith .....	D9/773
D372,868 S *	8/1996	Kobayashi et al. ....	D9/778
D416,757 S *	11/1999	Ginuntoli .....	D7/523
D443,796 S *	6/2001	Lin .....	D7/510
D460,661 S *	7/2002	Norris et al. ....	D7/533
D464,849 S *	10/2002	Norris et al. ....	D7/523
D482,933 S *	12/2003	Norris et al. ....	D7/533
D529,763 S *	10/2006	Zerillo et al. ....	D7/533
D530,980 S *	10/2006	Zerillo et al. ....	D7/509
D535,524 S *	1/2007	Kramer .....	D7/533
D537,676 S *	3/2007	Kingsley .....	D7/510
D539,609 S *	4/2007	Ying et al. ....	D7/514

D560,435 S *	1/2008	Meehan .....	D7/510
D561,590 S *	2/2008	Kingsley .....	D9/500
D565,901 S *	4/2008	Edelstein et al. ....	D7/510
D569,187 S *	5/2008	Sandberg .....	D7/523
D572,981 S *	7/2008	Carreno .....	D7/608

\* cited by examiner

*Primary Examiner*—Marianne Pandozzi

(74) *Attorney, Agent, or Firm*—Wood, Phillips, Katz, Clark & Mortimer

(57) **CLAIM**

The ornamental design of a mug/tumbler, as shown and described.

**DESCRIPTION**

FIG. 1 is a perspective view from above and to the right of the mug/tumbler design;

FIG. 2 is a perspective view from below and to the left of the mug/tumbler design;

FIG. 3 is a front elevation view of the mug/tumbler;

FIG. 4 is a right side elevational view of the mug/tumbler, the left side elevational view being a mirror image thereof;

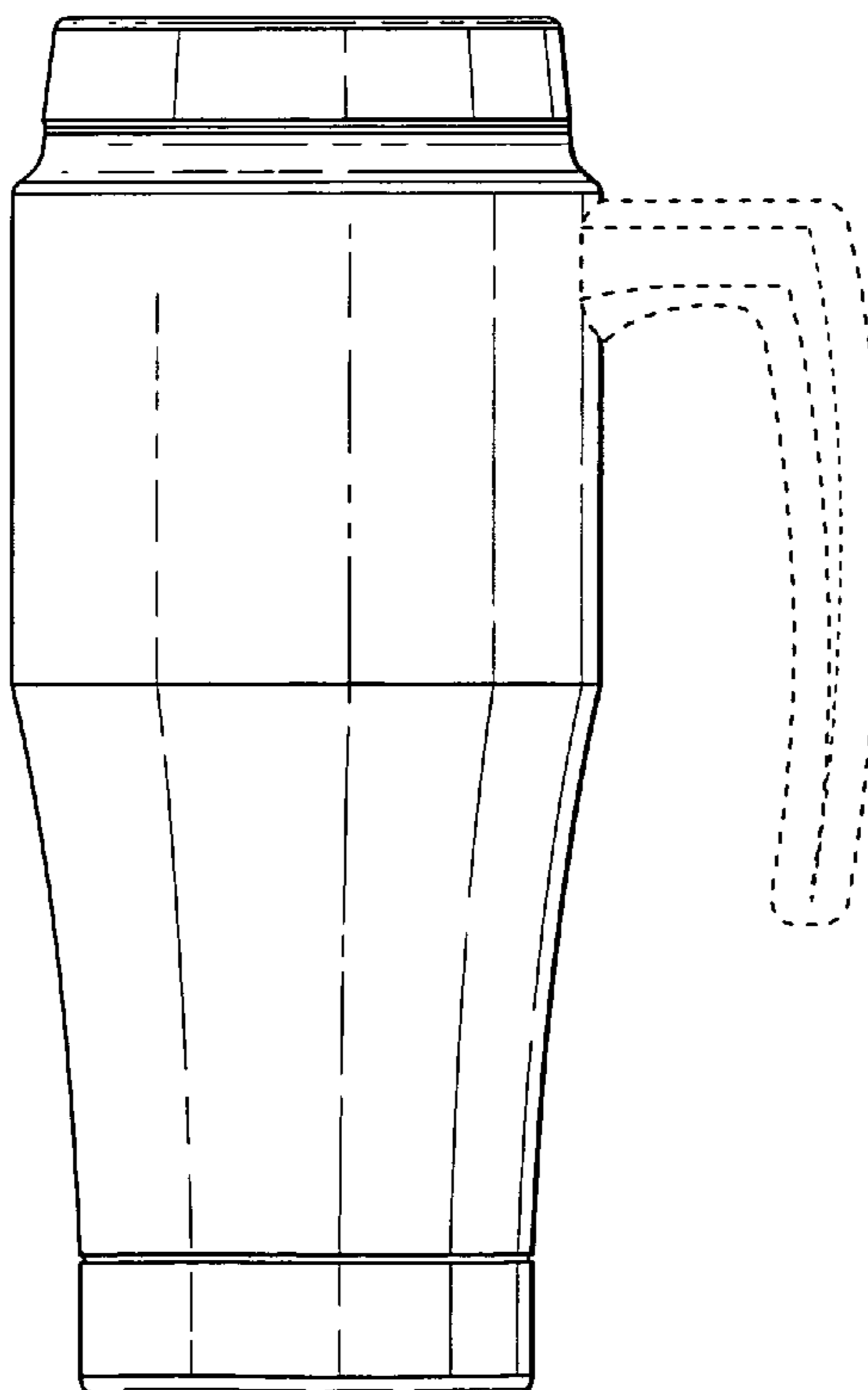
FIG. 5 is a back elevation view of the mug/tumbler;

FIG. 6 is a top plan view of the mug/tumbler; and,

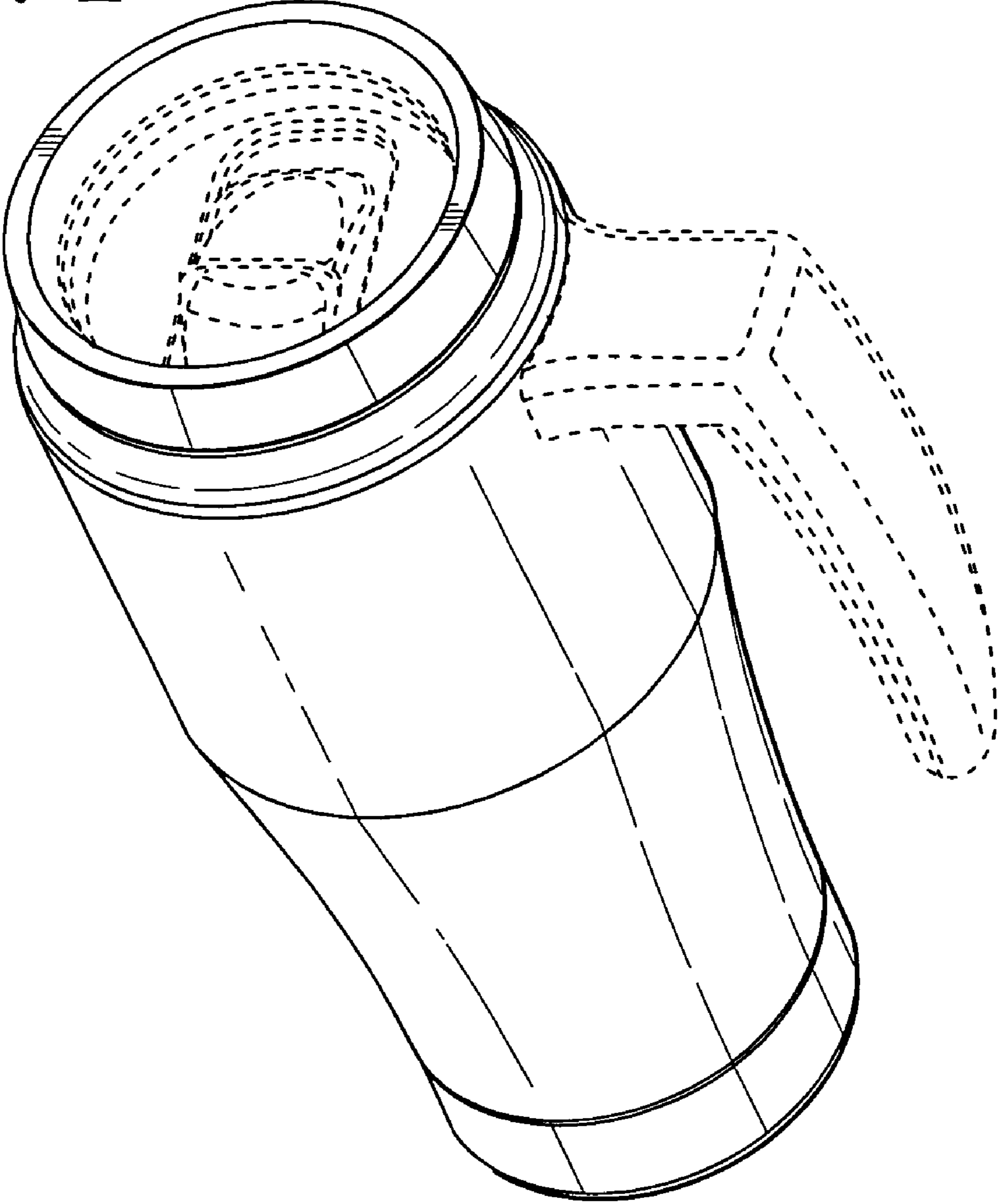
FIG. 7 is a bottom view of the mug/tumbler.

It is to be understood that the broken lines are for illustrative purposes only and form no part of the claimed design.

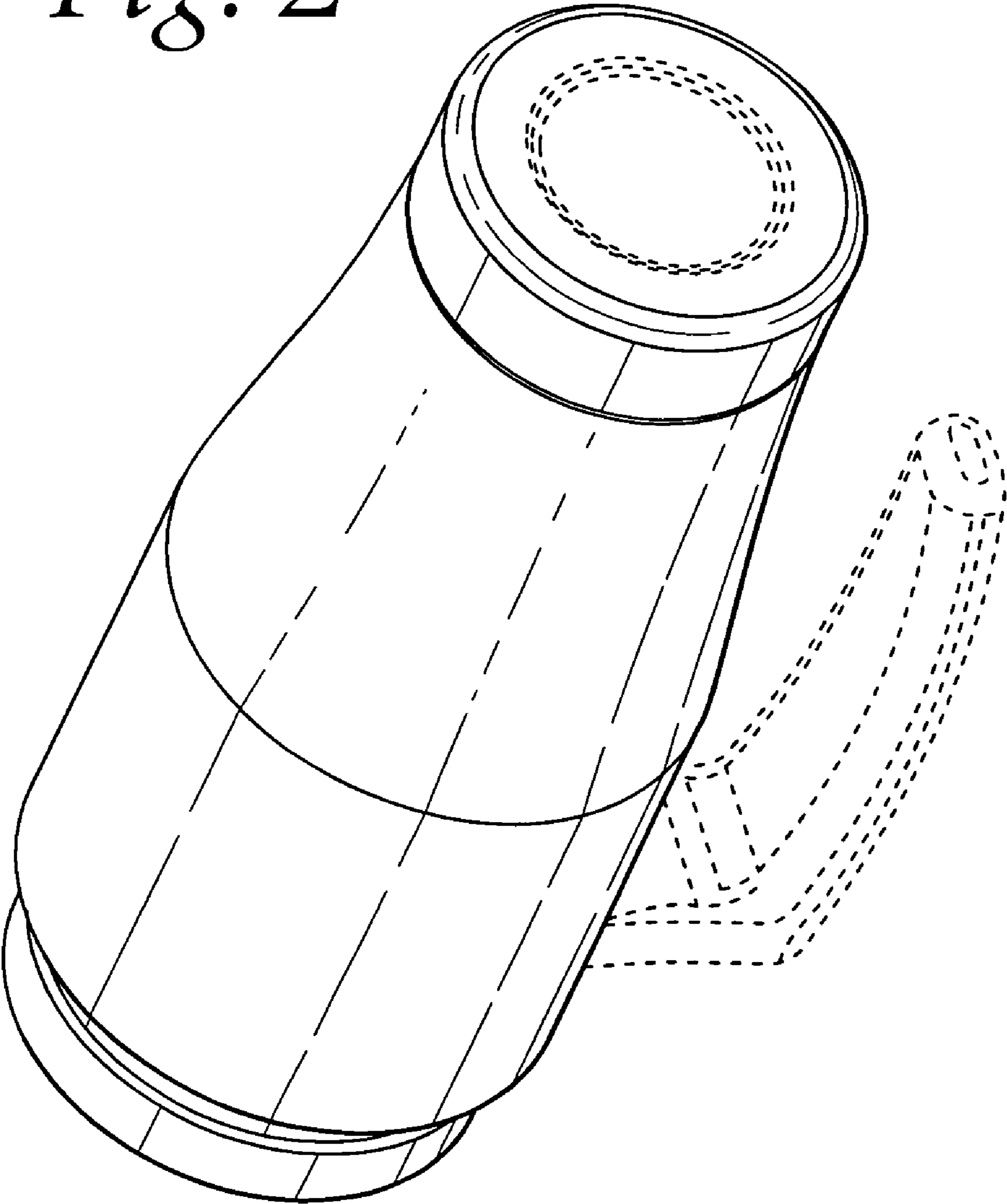
**1 Claim, 5 Drawing Sheets**



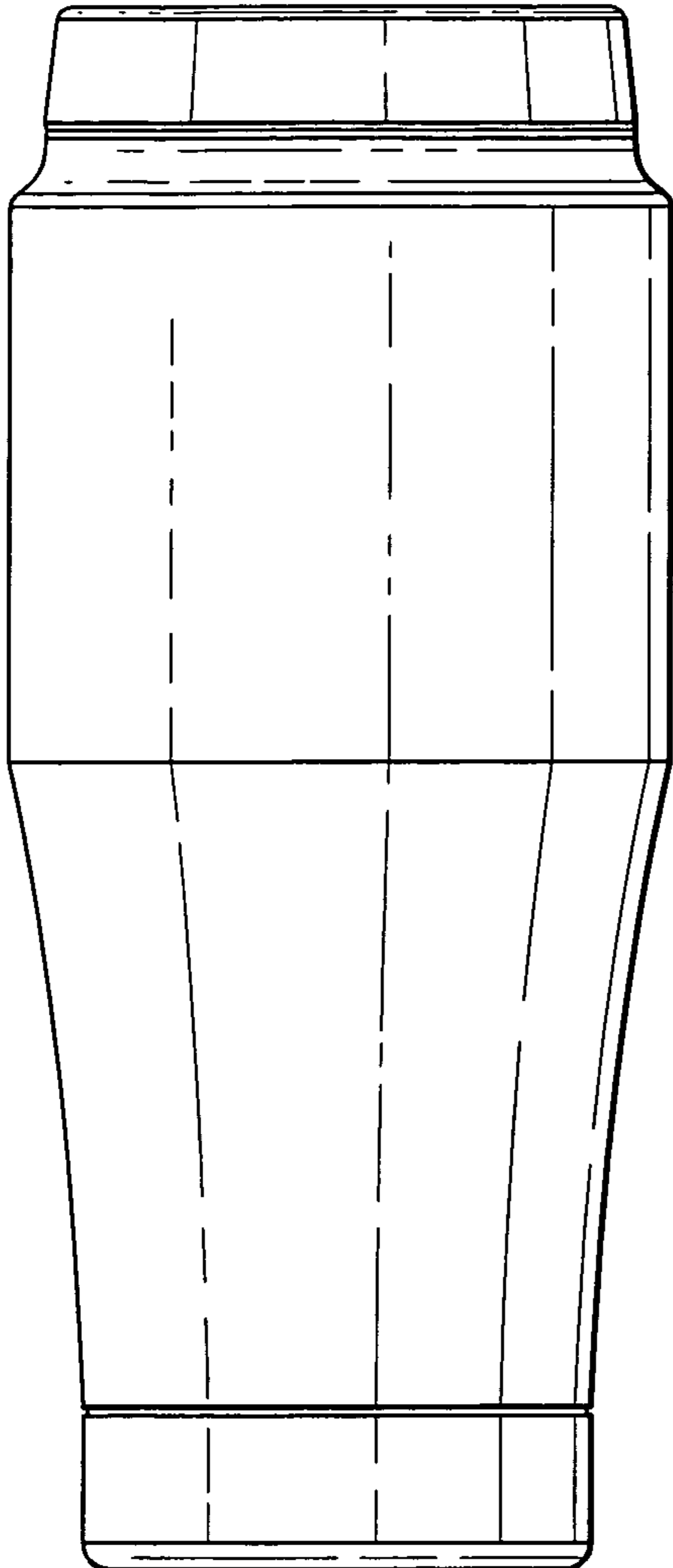
*Fig. 1*



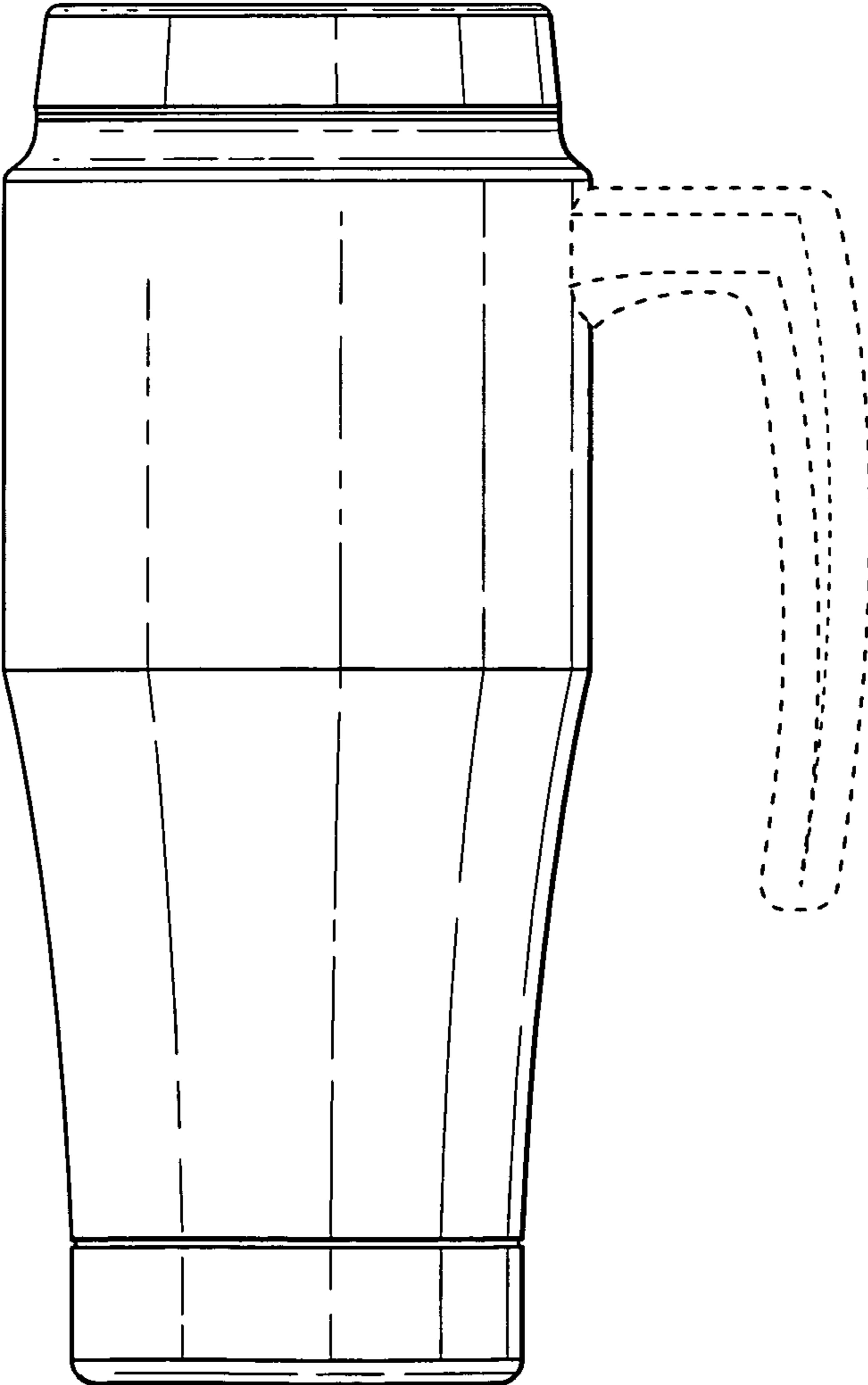
*Fig. 2*



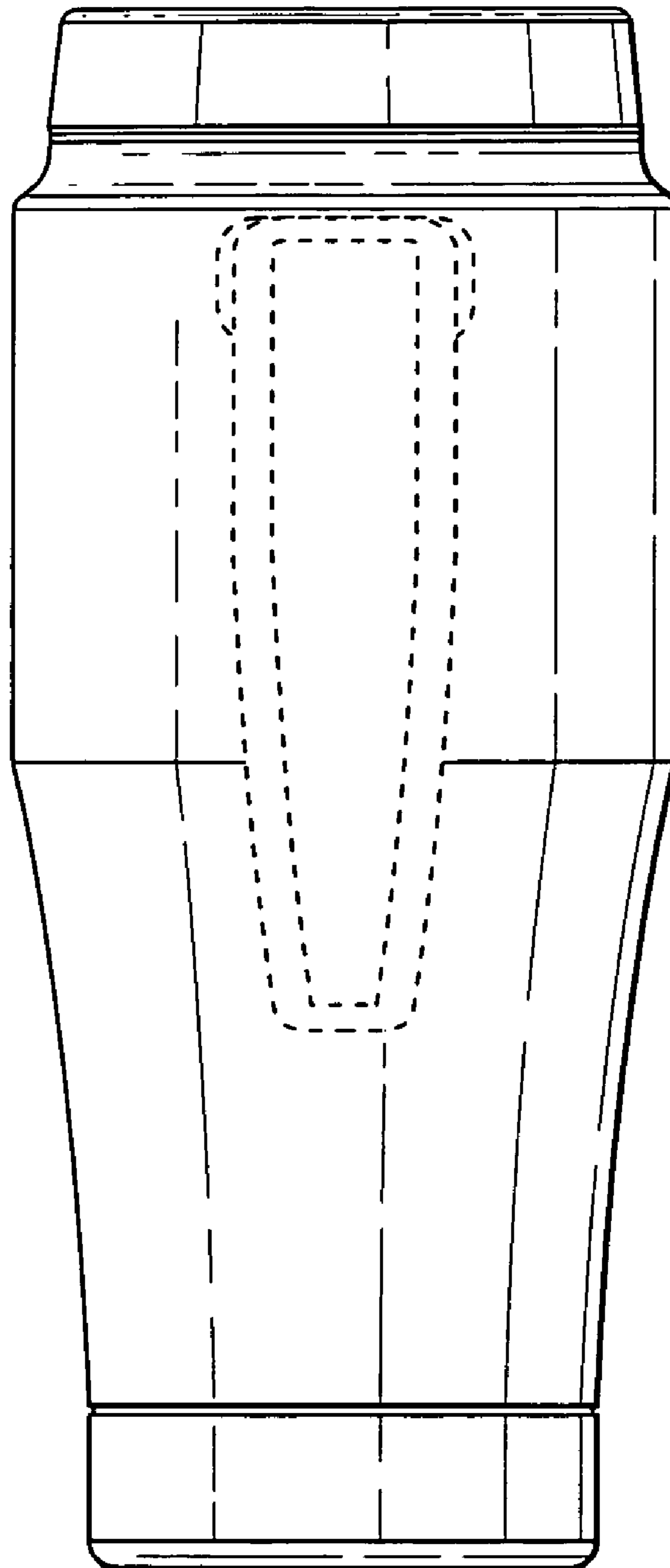
*Fig. 3*



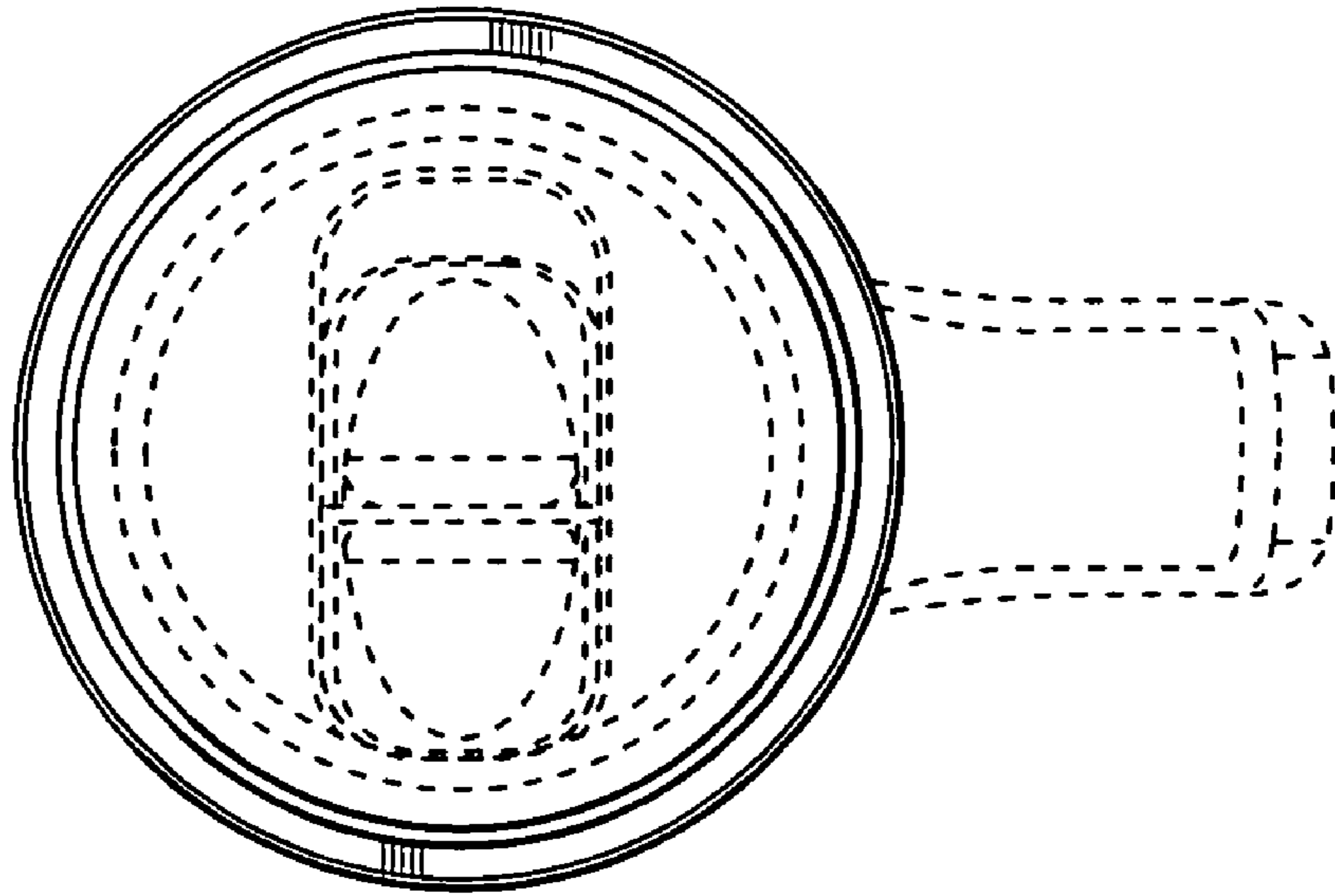
*Fig. 4*



*Fig. 5*



*Fig. 6*



*Fig. 7*

