



US00D600072S

(12) **United States Design Patent**  
**Hayes et al.**

(10) **Patent No.:** **US D600,072 S**

(45) **Date of Patent:** **\*\* Sep. 15, 2009**

(54) **DRINKING CUP**

(75) Inventors: **Scott Hayes**, New York, NY (US);  
**Stuart Jennings**, New York, NY (US)

(73) Assignee: **Wieden + Kennedy**, New York, NY  
(US)

(\*\*) Term: **14 Years**

(21) Appl. No.: **29/327,546**

(22) Filed: **Nov. 7, 2008**

(51) **LOC (9) Cl.** ..... **07-01**

(52) **U.S. Cl.** ..... **D7/509**

(58) **Field of Classification Search** ..... D7/505-536;  
D11/155, 152, 153; D34/1; 220/908, 669;  
222/105

See application file for complete search history.

(56) **References Cited**

**U.S. PATENT DOCUMENTS**

4,837,972	A *	6/1989	Reed	.....	47/67
D371,089	S *	6/1996	Yeung	.....	D11/152
D371,926	S *	7/1996	Powell	.....	D6/556
5,551,140	A *	9/1996	Weder et al.	.....	29/450
D389,700	S *	1/1998	Bingham	.....	D7/509
5,899,354	A *	5/1999	Garcia	.....	220/669
D446,684	S *	8/2001	Price	.....	D7/509
D468,204	S *	1/2003	Gittins et al.	.....	D9/430

D485,207	S *	1/2004	Dion	.....	D11/143
D567,586	S *	4/2008	Brown	.....	D7/509
D574,192	S *	8/2008	Schosser	.....	D7/531
D586,622	S *	2/2009	Silvers	.....	D7/523

\* cited by examiner

*Primary Examiner*—Marianne Pandozzi

(74) *Attorney, Agent, or Firm*—Timothy J. Bechen; Ostrow,  
Kaufman & Frankl LLP

(57) **CLAIM**

The ornamental design for a drinking cup, as shown and described.

**DESCRIPTION**

FIG. 1 is a right front perspective view of a drinking cup showing our new design;

FIG. 2 is a left front view perspective thereof;

FIG. 3 is a left rear perspective view thereof;

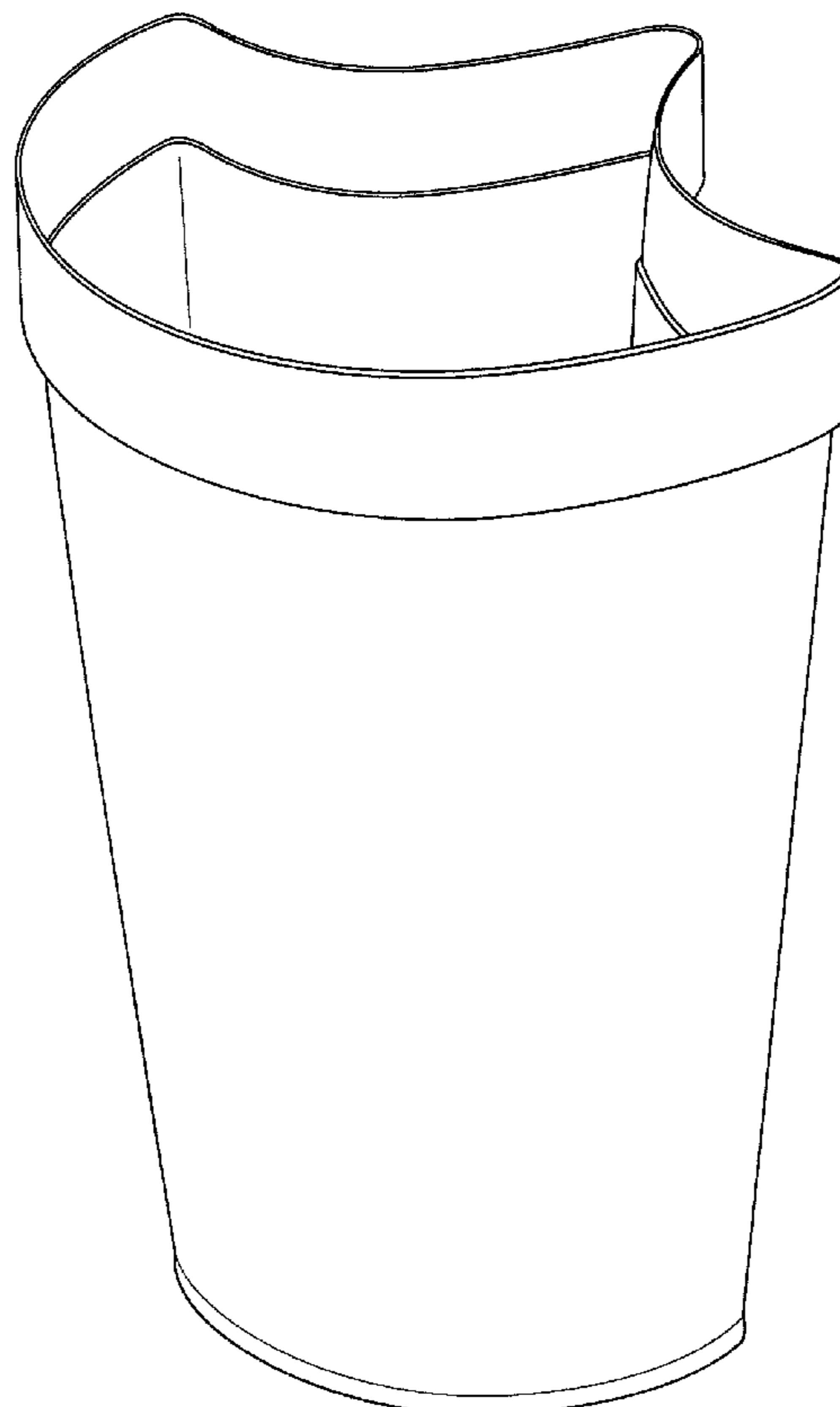
FIG. 4 is a top perspective view thereof;

FIG. 5 is a right front perspective view of a drinking cup showing a second embodiment of our new design; and,

FIG. 6 is a left front perspective view thereof.

The broken lines in the second embodiment are included for the purpose of illustration and form no part of the claimed design.

**1 Claim, 6 Drawing Sheets**



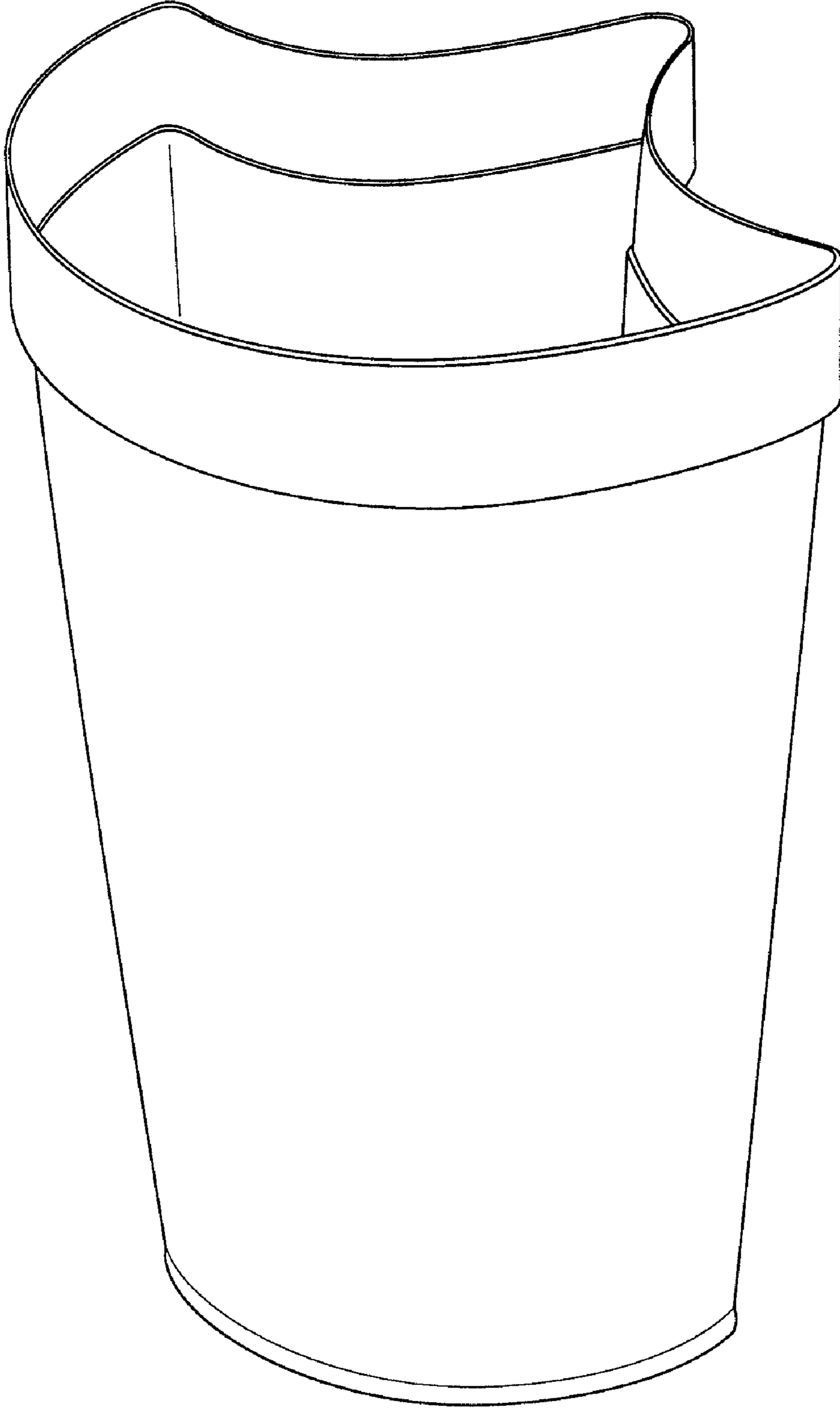


FIG. 1

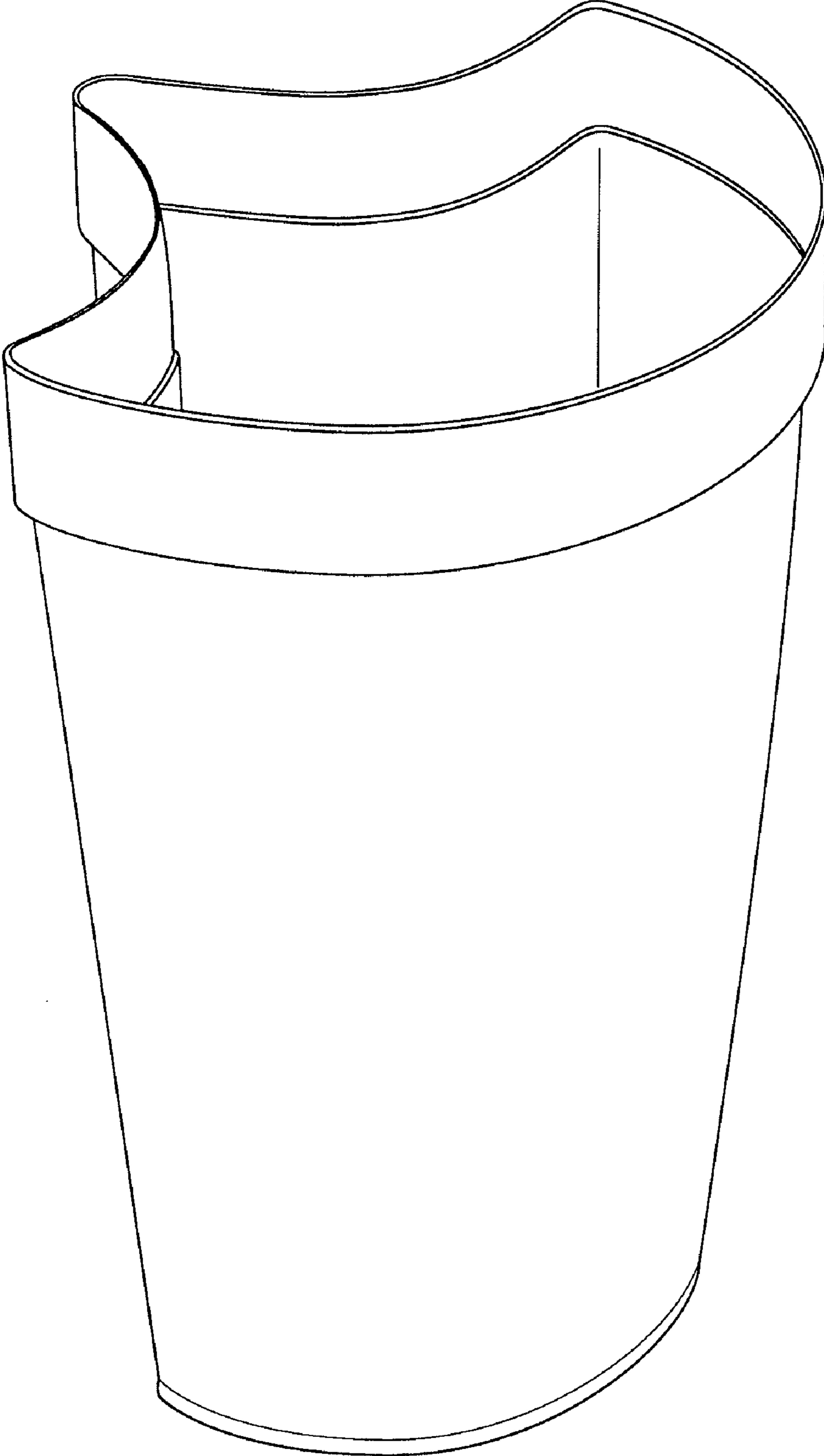


FIG. 2

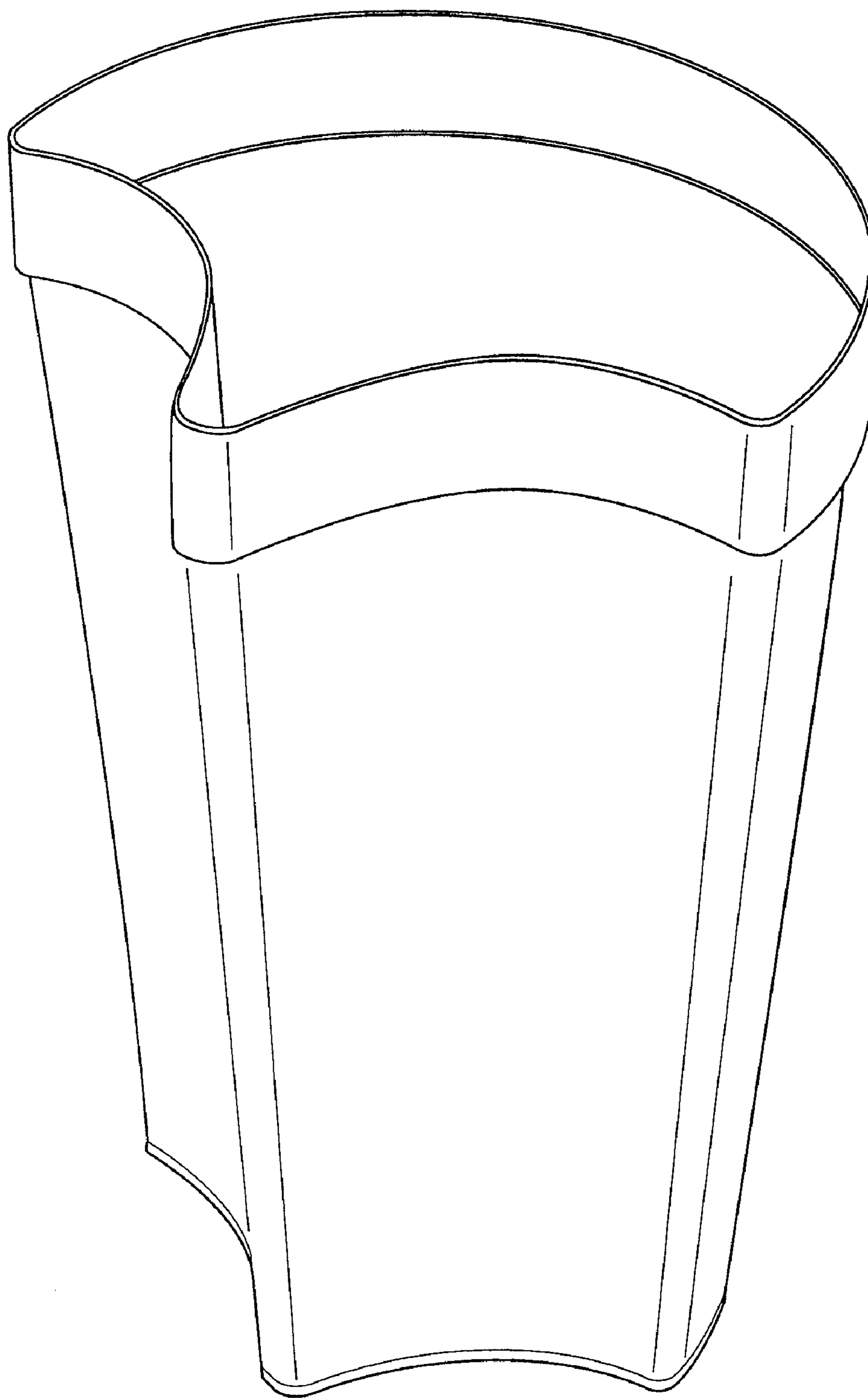


FIG. 3

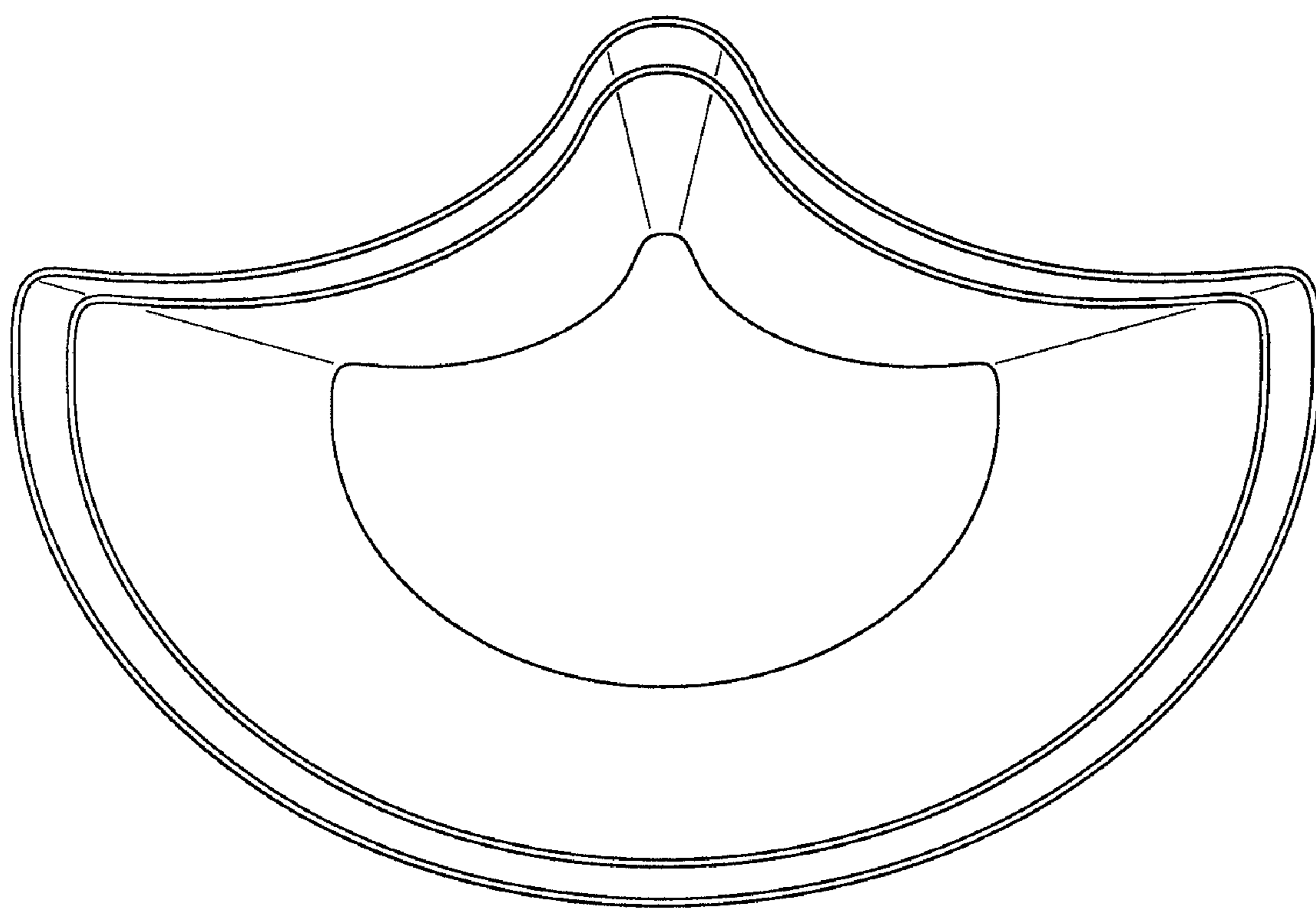


FIG. 4

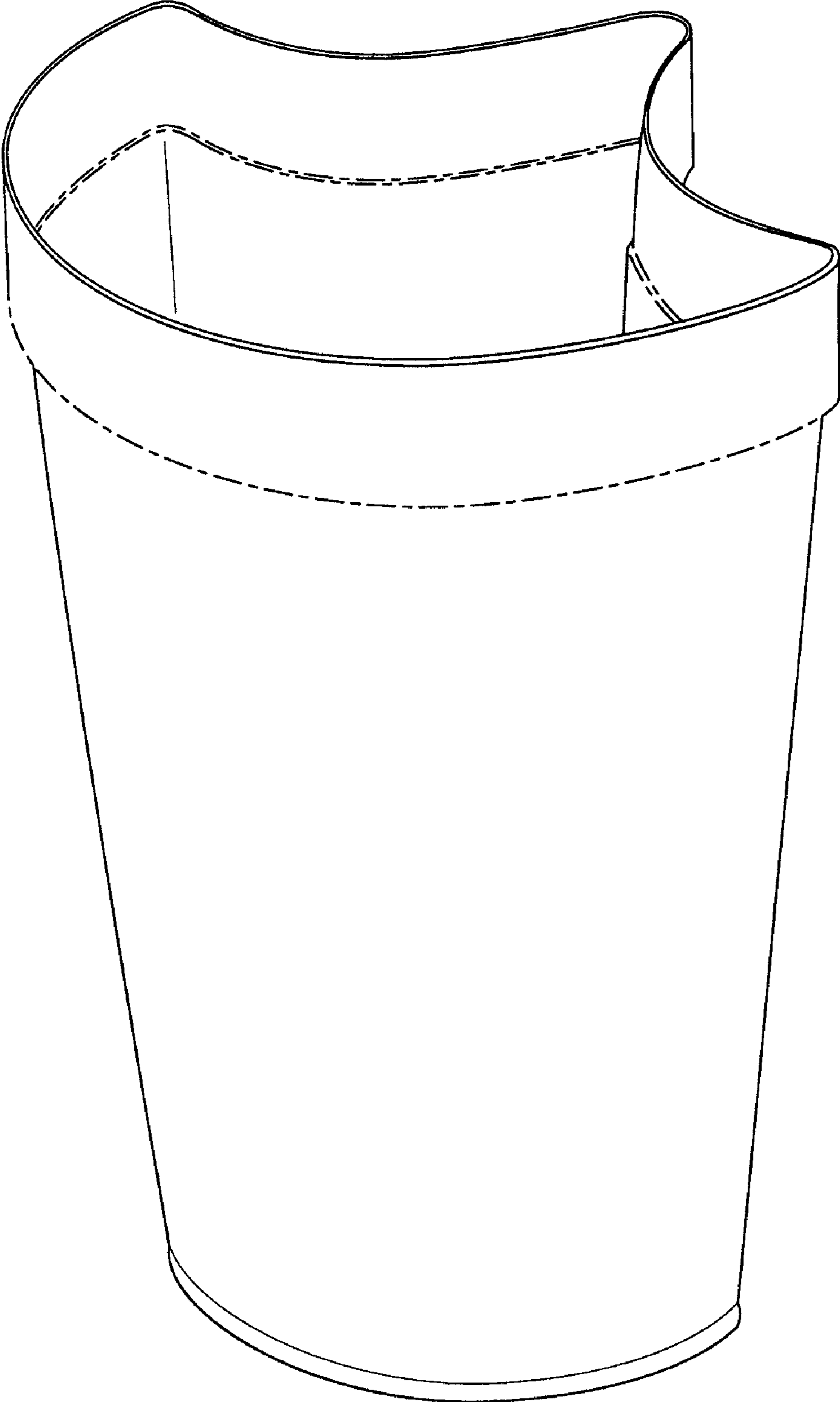


FIG. 5

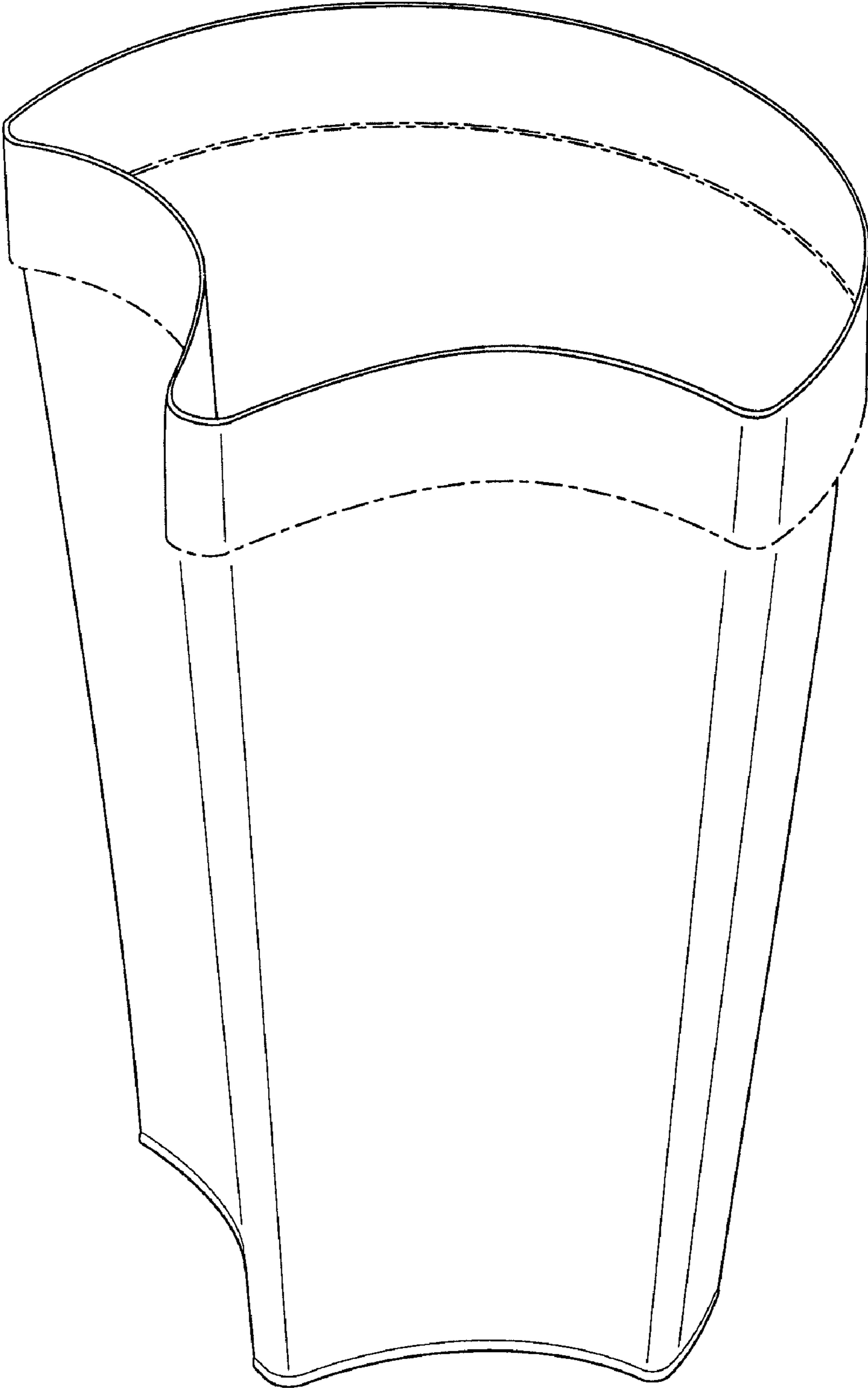


FIG. 6