



US00D600070S

(12) **United States Design Patent**
Kellermann et al.

(10) **Patent No.:** **US D600,070 S**

(45) **Date of Patent:** **** Sep. 15, 2009**

(54) **DOUBLE PLAY GRIDDLE**

(75) Inventors: **Robert Finch Kellermann**, South
Pittsburg, TN (US); **Larry Raydo**, South
Pittsburg, TN (US)

(73) Assignee: **Lodge Manufacturing Company**, South
Pittsburg, TN (US)

(**) Term: **14 Years**

(21) Appl. No.: **29/334,484**

(22) Filed: **Mar. 27, 2009**

(51) **LOC (9) Cl.** **07-02**

(52) **U.S. Cl.** **D7/409**

(58) **Field of Classification Search** D7/323,
D7/354-363, 388, 390, 402, 404, 407, 409,
D7/554.3, 698; 99/324, 402, 421 A, 421 H,
99/421 HH, 421 R, 422-427, 449-450; 126/337 R;
219/443, 730, 759, 1; 220/485, 491-494,
220/500, 507, 573.1, 752, 759, 769, 912
See application file for complete search history.

(56) **References Cited**

U.S. PATENT DOCUMENTS

D463,202 S * 9/2002 Smith D7/359
D503,066 S * 3/2005 Mili D7/359

D508,368 S * 8/2005 Lion et al. D7/388
D532,655 S * 11/2006 Elwell et al. D7/409
D538,584 S * 3/2007 Scholze et al. D7/359
D570,154 S * 6/2008 Wang D7/359
D588,399 S * 3/2009 Vrbaneck D7/359
2007/0204856 A1 * 9/2007 Elwell et al. 126/337 R

* cited by examiner

Primary Examiner—Caron Veynar

Assistant Examiner—Ricky Pham

(74) *Attorney, Agent, or Firm*—Stephen J. Stark; Miller &
Martin PLLC

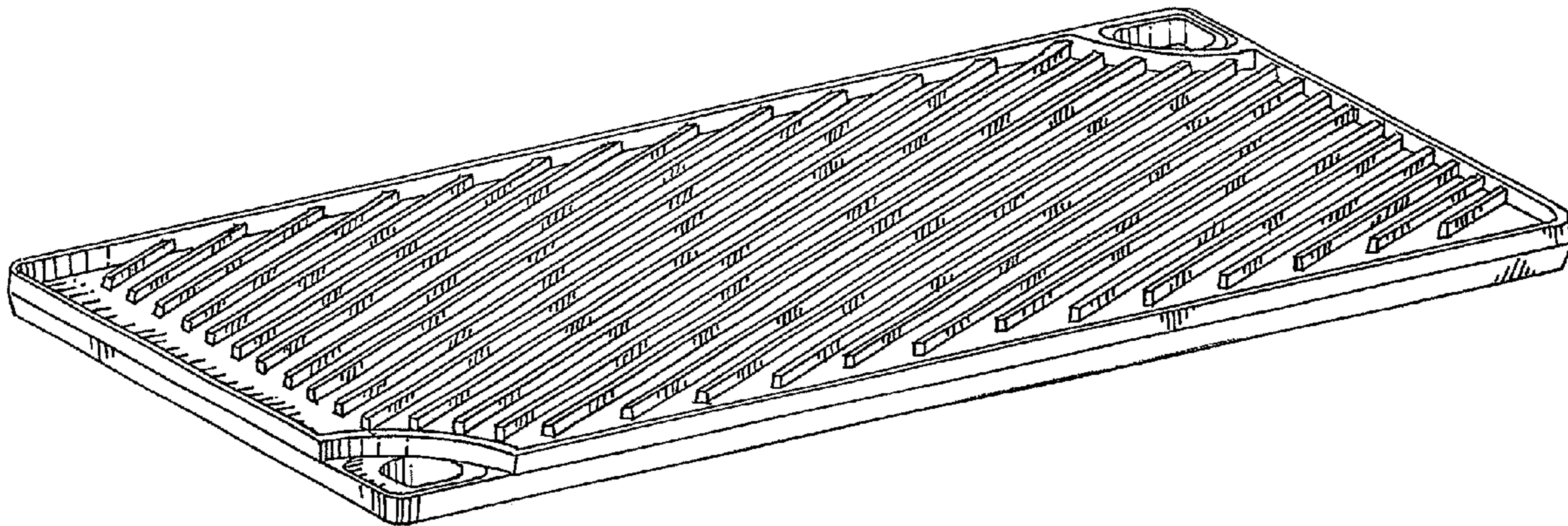
(57) **CLAIM**

The ornamental design for a double play griddle, as shown.

DESCRIPTION

FIG. 1 is a top perspective view of a griddle;
FIG. 2 is a front elevational view thereof;
FIG. 3 is a top elevational view thereof;
FIG. 4 is a bottom elevational view thereof;
FIG. 5 is a back elevational view thereof;
FIG. 6 is a left side elevational view thereof; and,
FIG. 7 is a right side elevational view thereof.

1 Claim, 3 Drawing Sheets



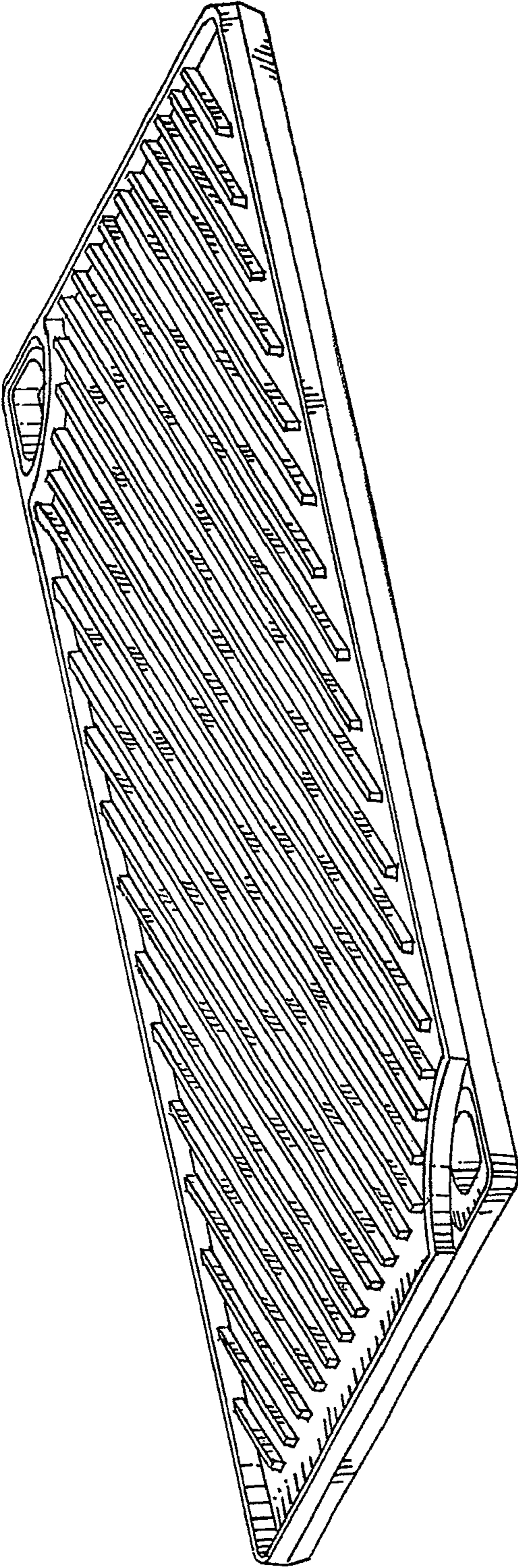


FIG. 1



FIG. 2

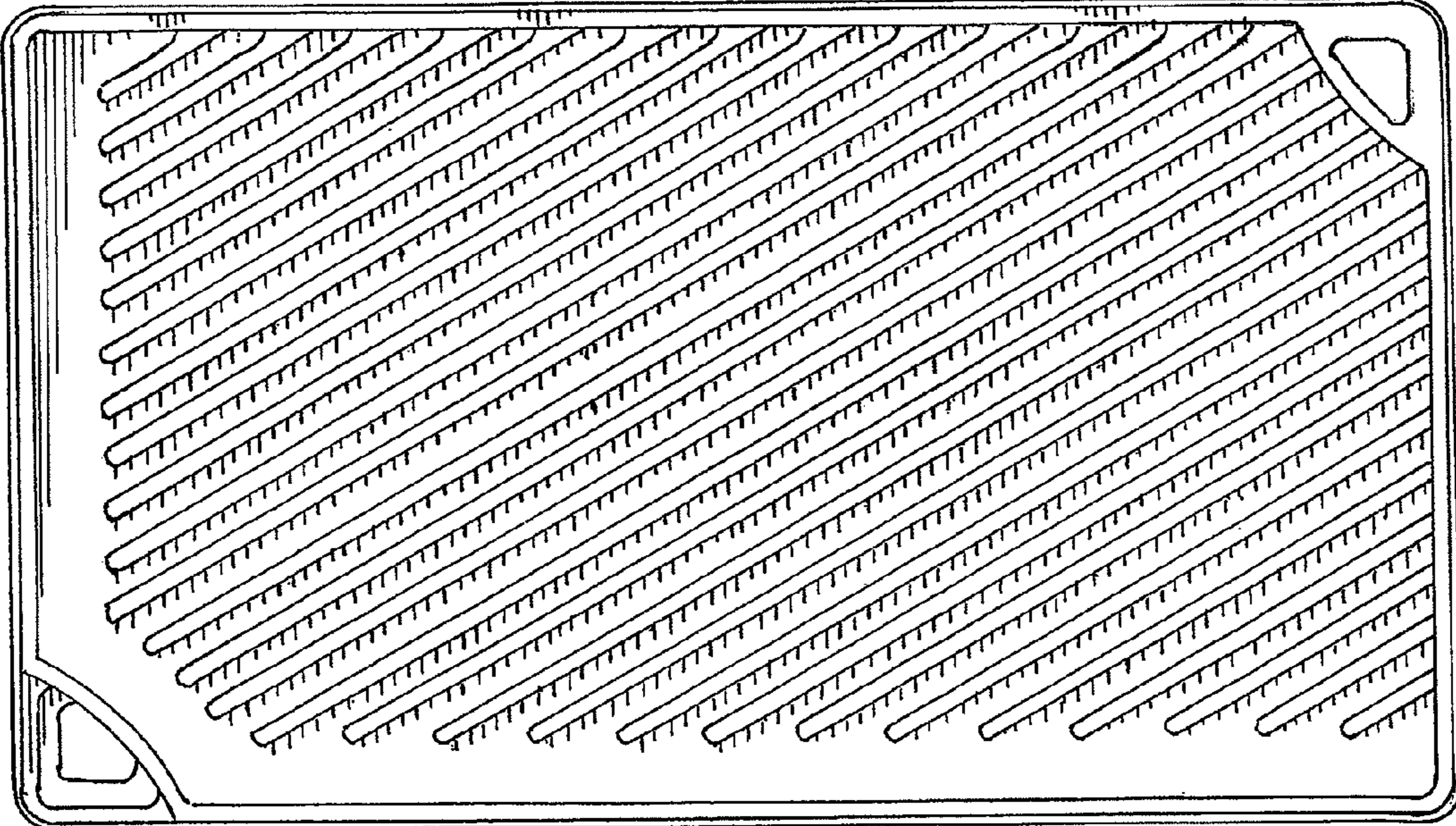


FIG. 3

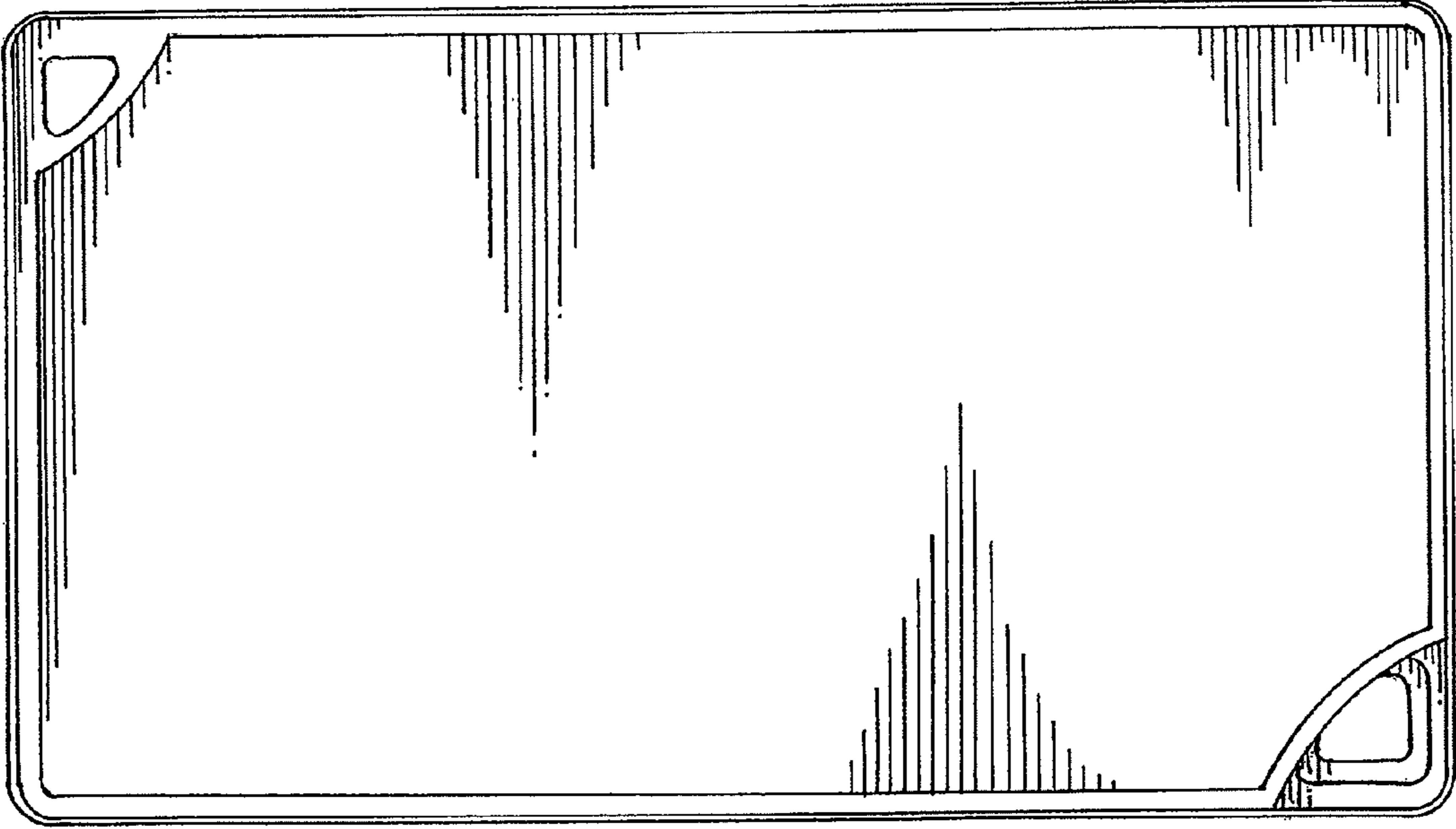


FIG. 4

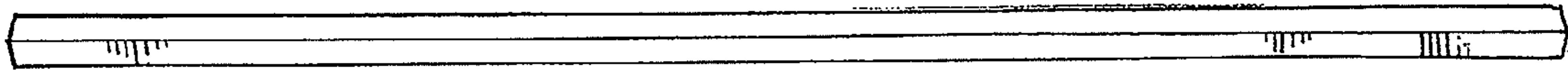


FIG. 5

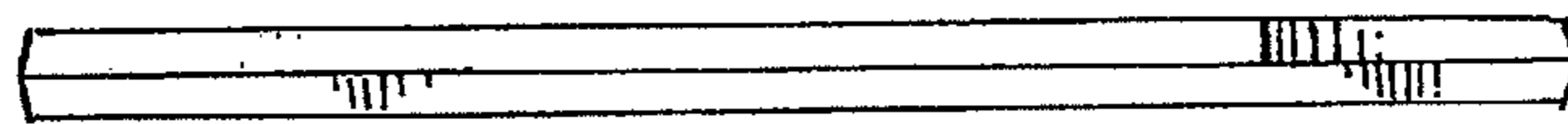


FIG. 6

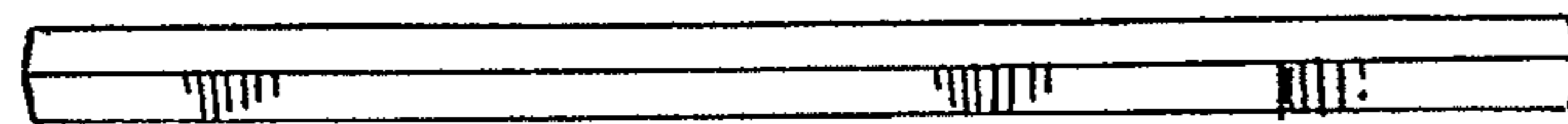


FIG. 7