



US00D600067S

(12) **United States Design Patent**
Forsyth

(10) **Patent No.:** **US D600,067 S**

(45) **Date of Patent:** **** Sep. 15, 2009**

(54) **TAP COLLAR**

2005/0029309 A1 2/2005 Forsyth

(75) **Inventor:** **Stephen W. Forsyth**, 1605 Kamloops St., Vancouver, British Columbia (CA) V5K 3W3

OTHER PUBLICATIONS
Flyer—"Introducing a new tap handle display concept", Tap Strap, 2004.

(73) **Assignee:** **Stephen W. Forsyth**, Vancouver, British Columbia (CA)

* cited by examiner

(**) **Term:** **14 Years**

Primary Examiner—Robert M Spear
Assistant Examiner—Cynthia Underwood
(74) *Attorney, Agent, or Firm*—Kolisch Hartwell, P.C.

(21) **Appl. No.:** **29/319,376**

(57) **CLAIM**

(22) **Filed:** **Jun. 6, 2008**

We claim the ornamental design for a tap collar, as shown and described.

(51) **LOC (9) Cl.** **07-01**

(52) **U.S. Cl.** **D7/387; D7/620; D7/398**

(58) **Field of Classification Search** D7/397,
D7/387, 213, 392.1, 396.1, 402, 404, 392,
D7/620, 619, 391, 323, 331; 248/211, 311.2,
248/310, 314, 230.1, 302; 222/566, 402.1,
222/327; 312/236; D23/238, 255; D34/27,
D34/12.24; D3/316; D8/373, 349, 396;
D12/411; D6/556; D9/435

DESCRIPTION

See application file for complete search history.

FIG. 1 is a front perspective view of a tap collar according to an embodiment of the present invention;

FIG. 2 is a fragmentary exploded perspective view of the bottom of the tap collar of FIG. 1;

FIG. 3 is a rear view of the tap collar of FIG. 1;

FIG. 4 is a front view of a tap collar with an attached strap according to an embodiment of the present invention;

FIG. 5 is a fragmentary perspective view of the bottom of the tap collar and strap of FIG. 4;

FIG. 6 is a rear view of the tap collar and strap of FIG. 4; and,

FIG. 7 is a view of the tap collar and strap of FIG. 4 attached to a bar tap.

The broken line(s) shown in the drawings are for illustrative purposes only and form no part of the claimed design.

The shading lines shown in the drawing(s) represent the approximate three-dimensional contour of the design, and are not intended to indicate surface decoration.

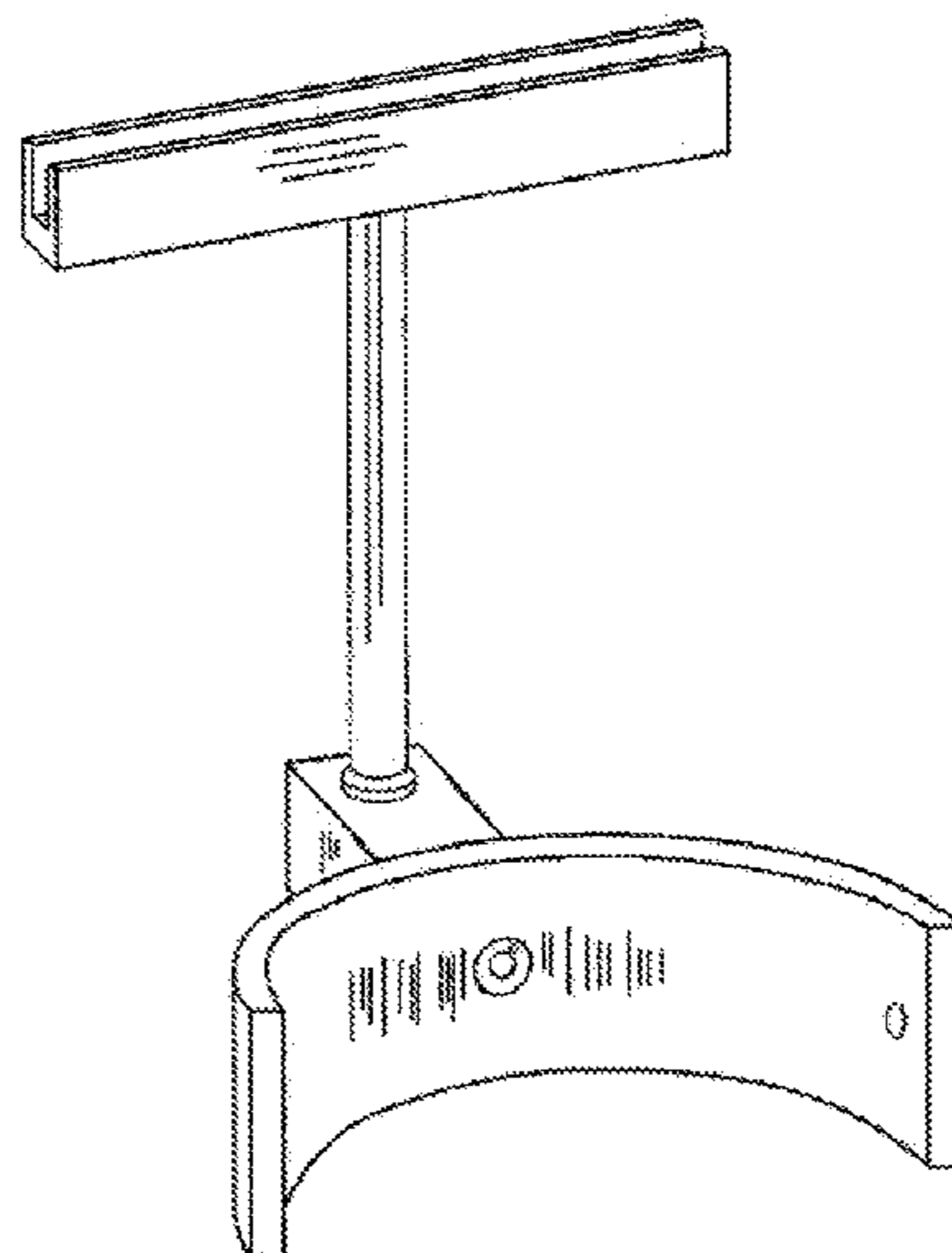
Portions of the tap collar that are not shown in the drawing(s) form no part of the claimed design.

(56) **References Cited**

U.S. PATENT DOCUMENTS

D120,628	S	*	5/1940	Jembryzcki	D8/373
2,686,032	A	*	8/1954	Thorson	248/211
3,367,056	A	*	2/1968	Johnson	43/25
4,557,452	A	*	12/1985	Khuong	248/214
4,702,446	A	*	10/1987	Brown	248/210
D303,057	S	*	8/1989	Smith	D7/620
4,860,986	A	*	8/1989	Couzens	248/313
D319,383	S	*	8/1991	Kihlstrom	D8/373
D333,071	S	*	2/1993	Lim	D7/620
D361,461	S	*	8/1995	Linzenbold	D6/556
D367,254	S	*	2/1996	Lince	D12/411
D392,081	S	*	3/1998	Salvucci, Sr.	D34/27
D424,770	S	*	5/2000	Watkins et al.	D34/12
7,090,085	B1	*	8/2006	Vicendese et al.	211/106.01

1 Claim, 3 Drawing Sheets



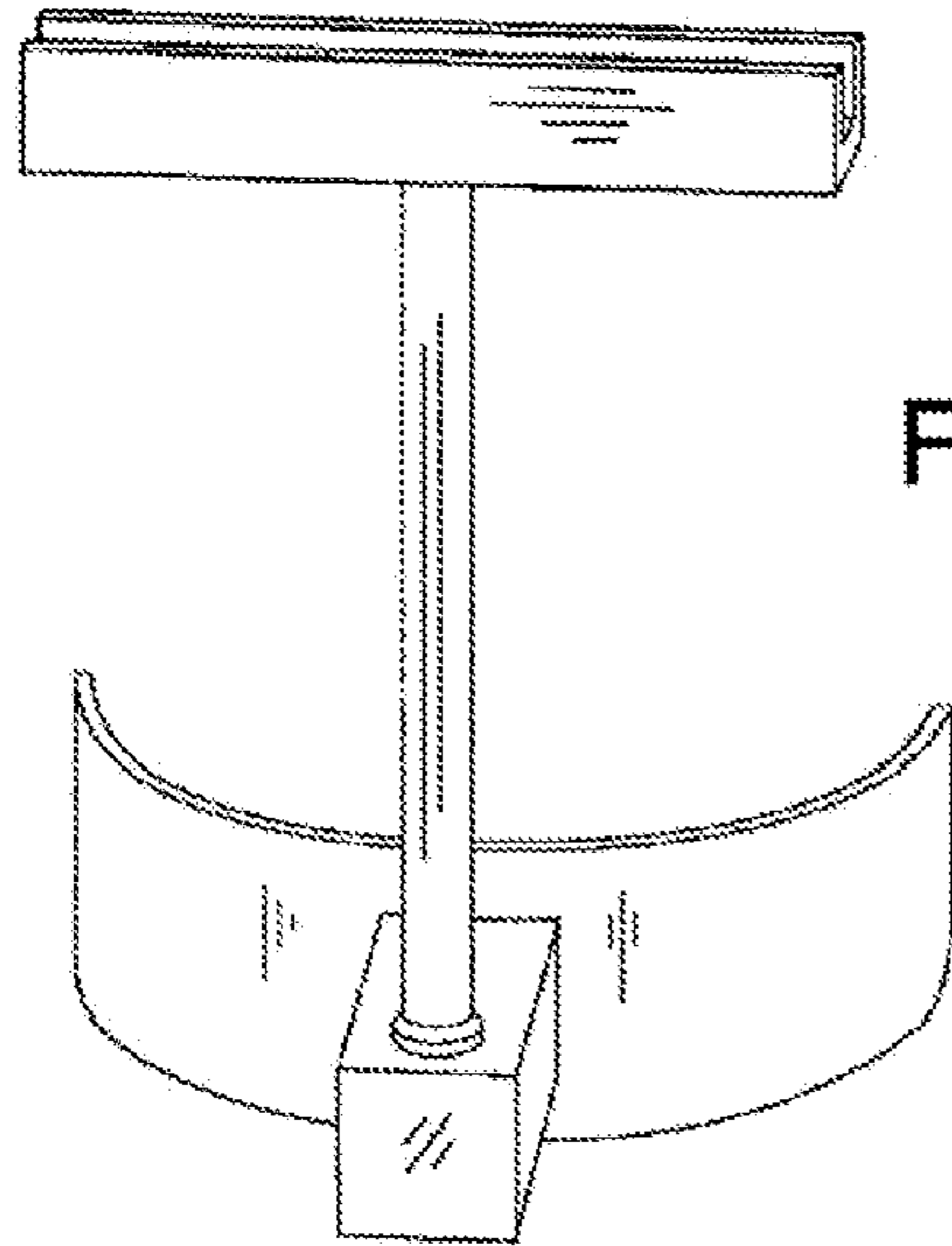


FIG. 1

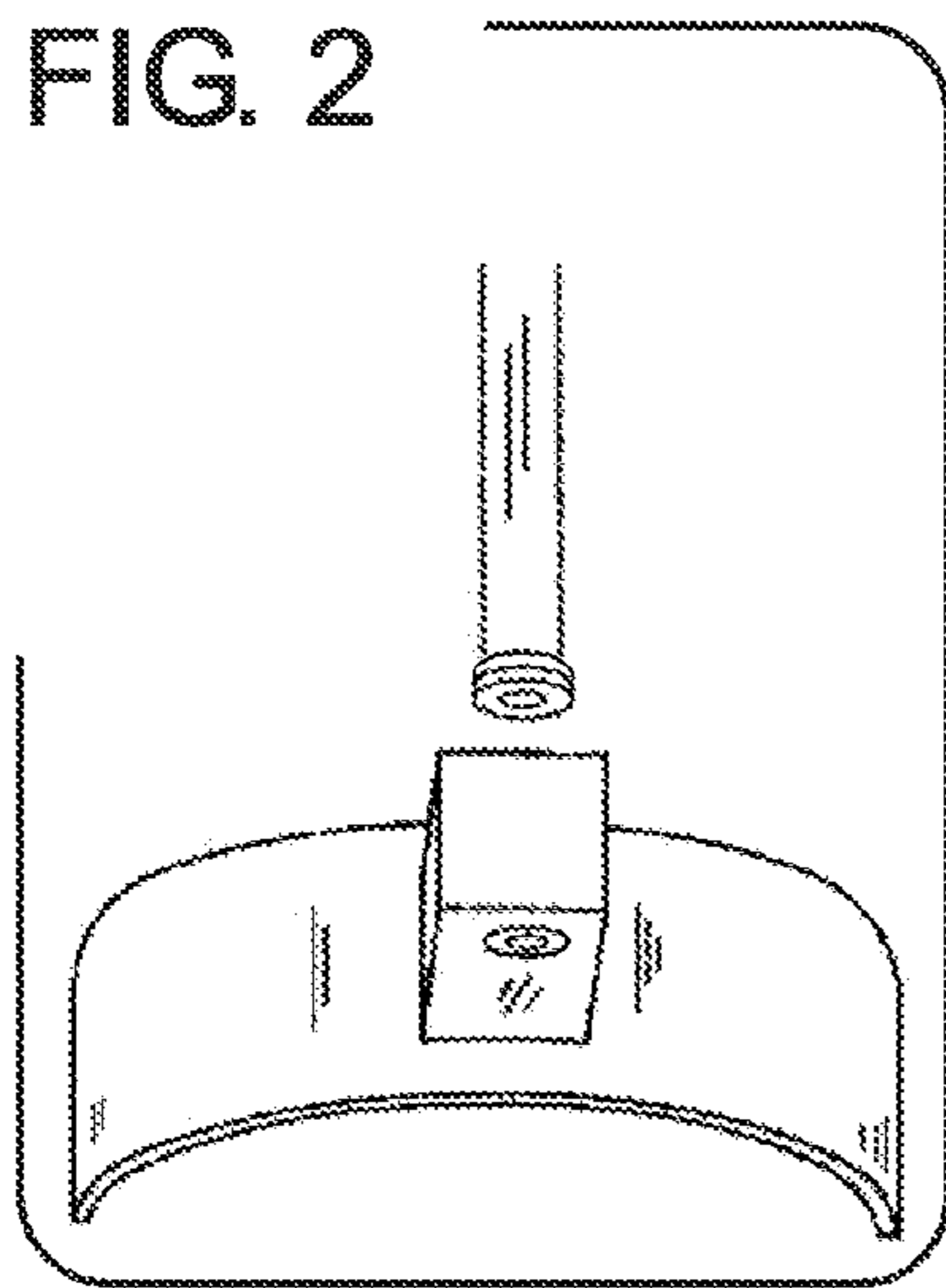


FIG. 2

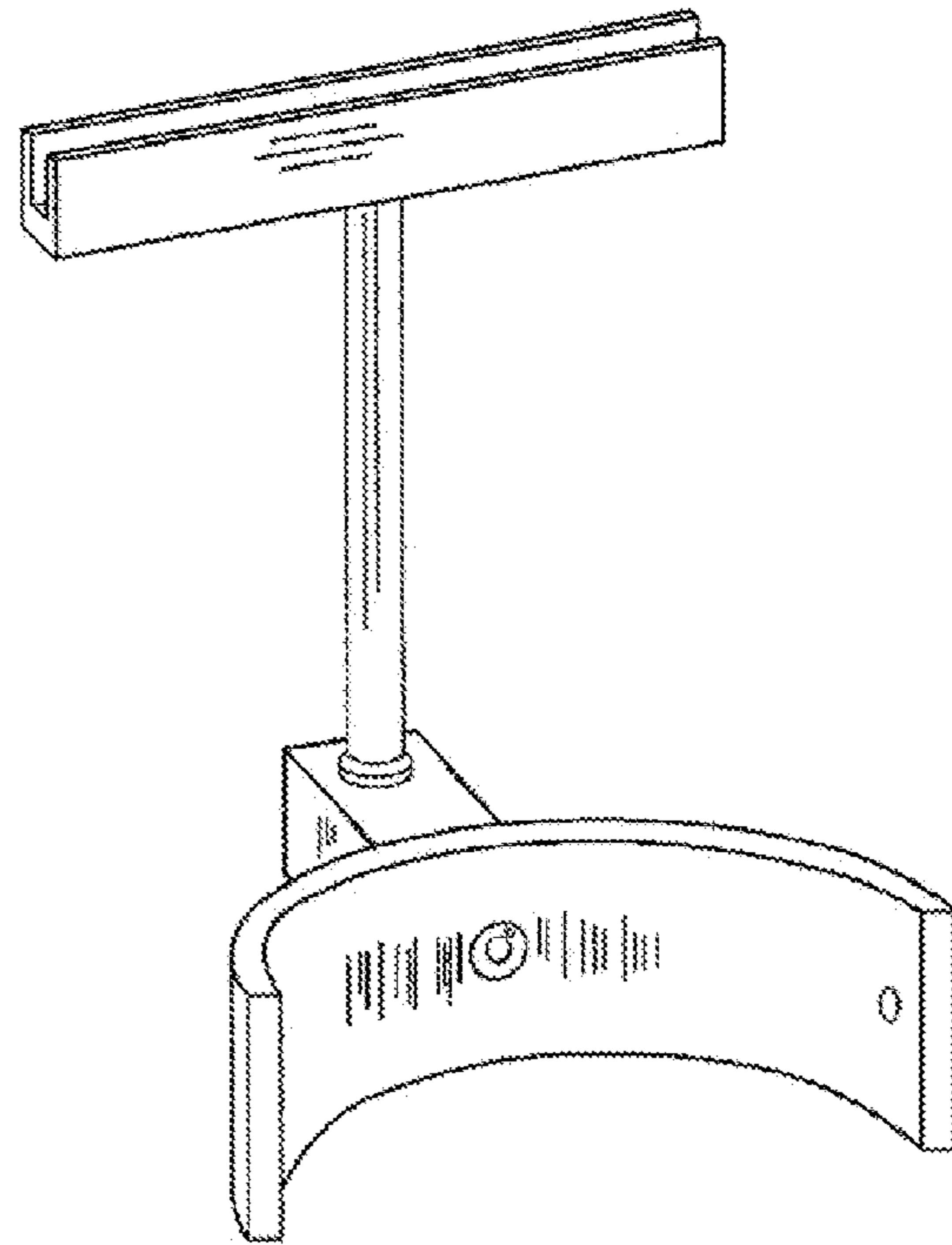


FIG. 3

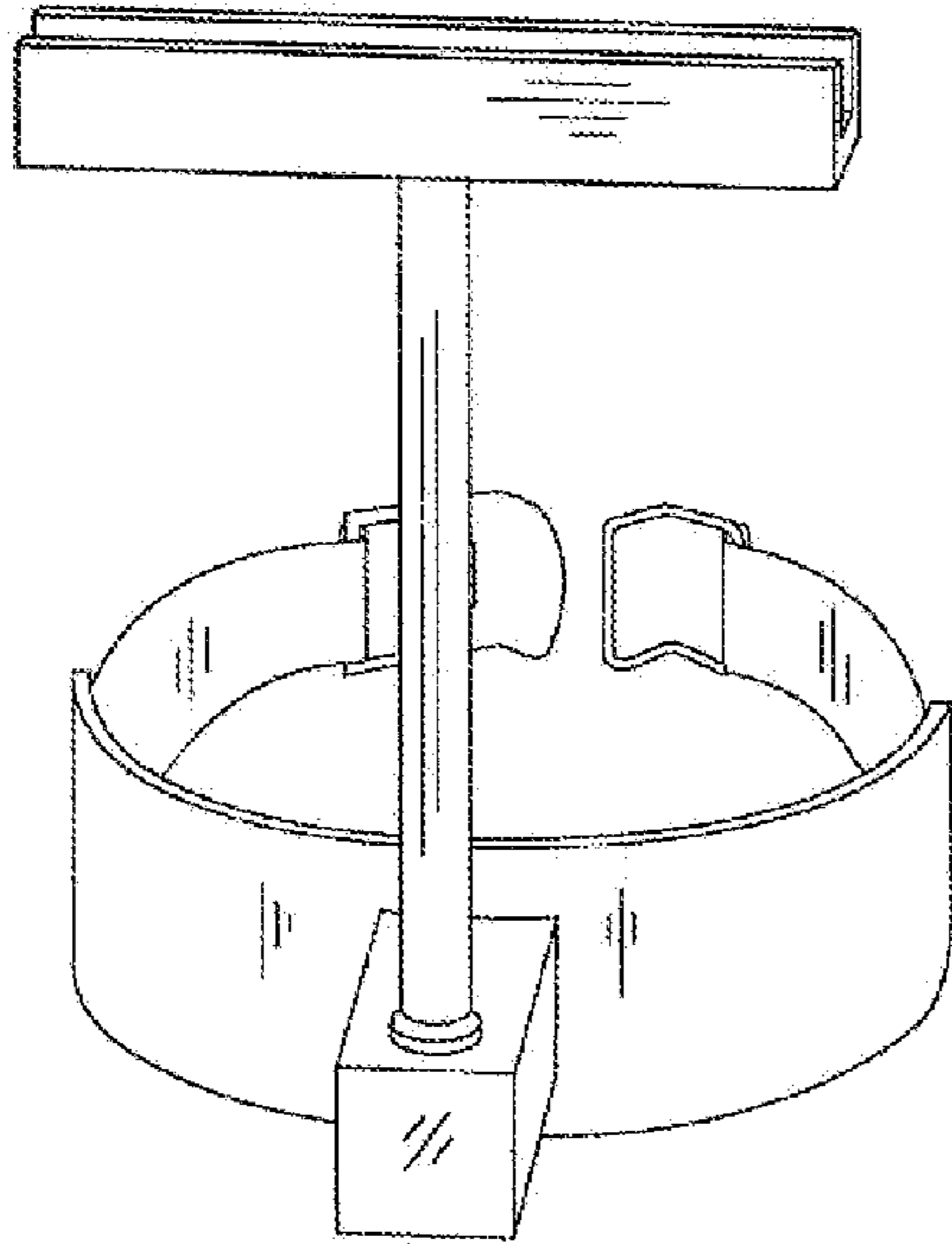


FIG. 4

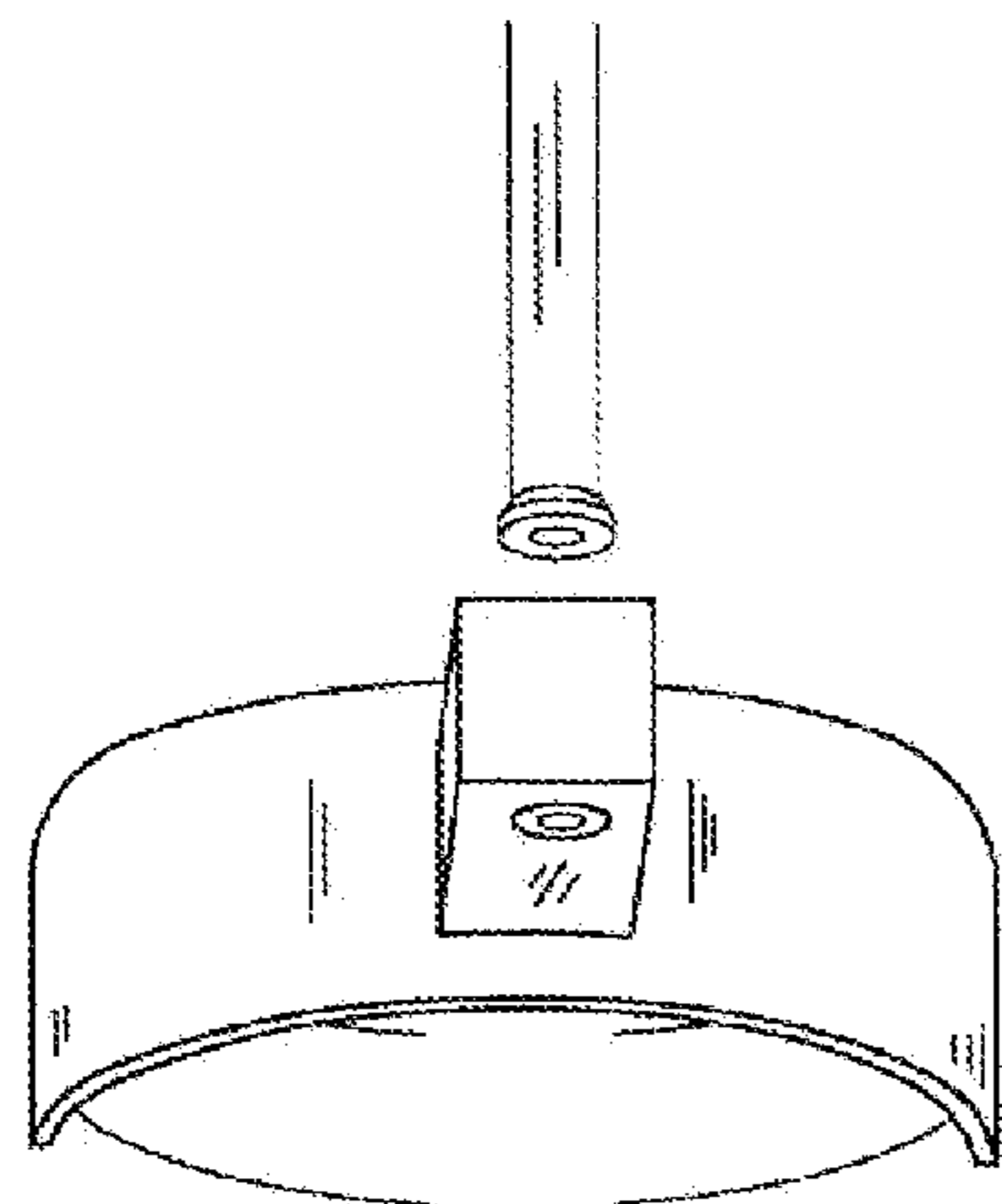


FIG. 5

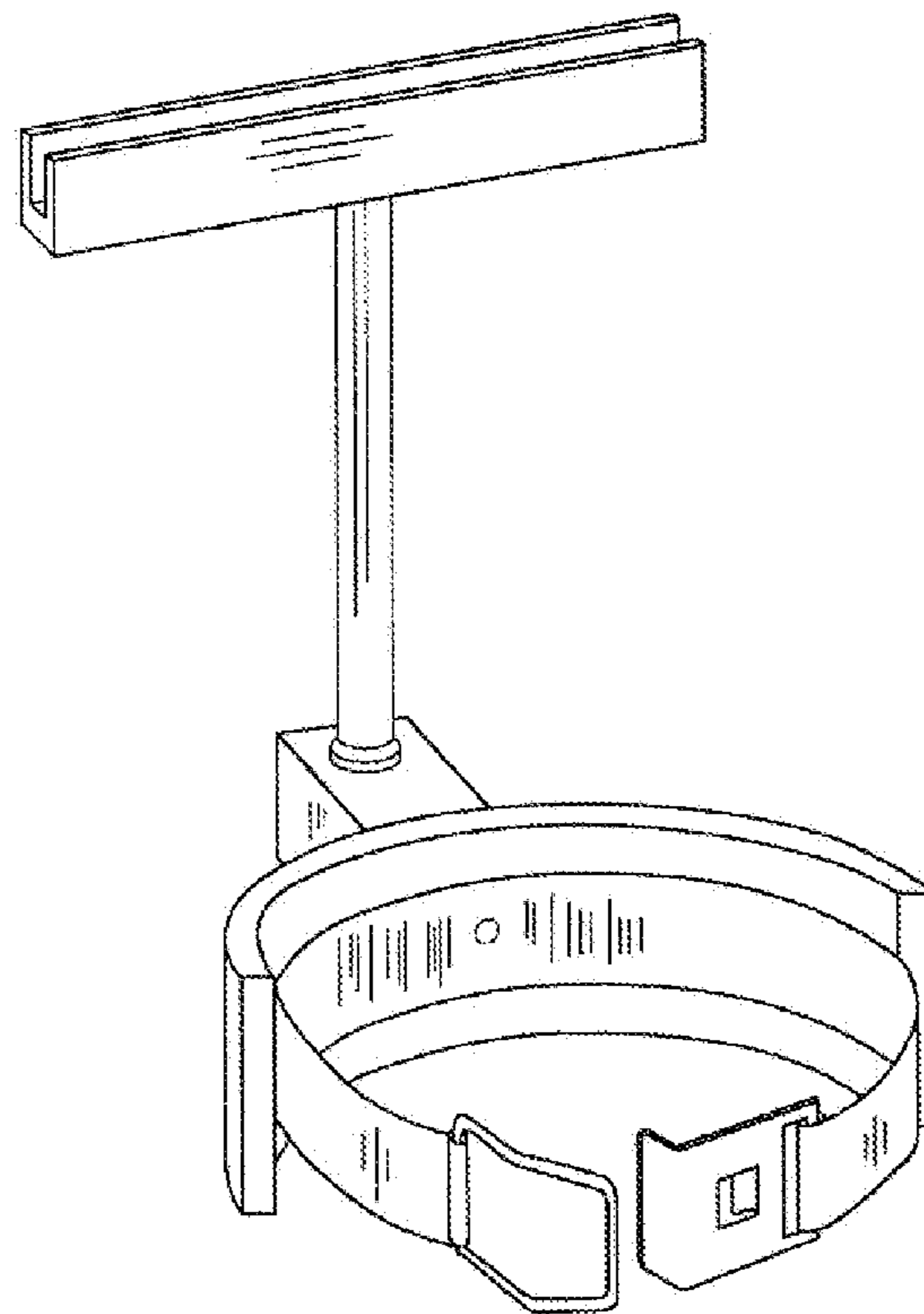


FIG. 6

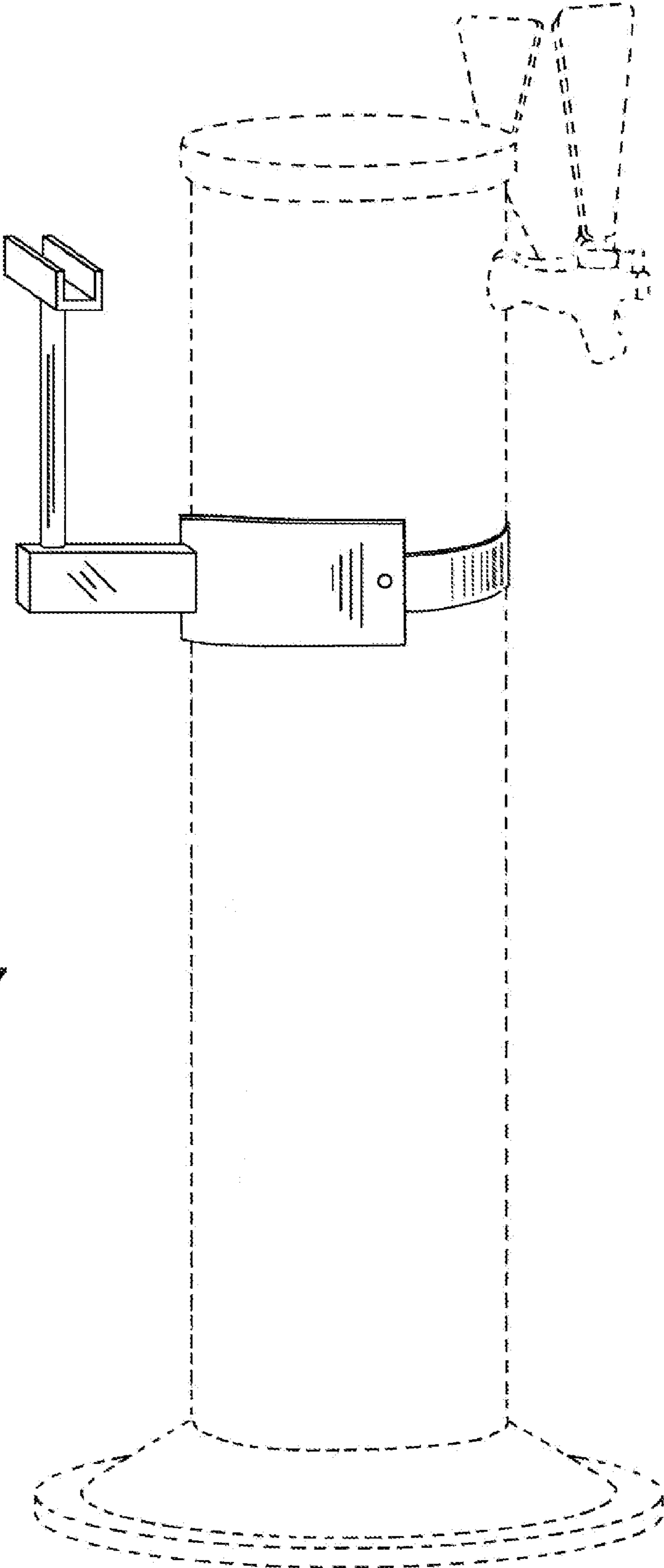


FIG. 7