



US00D600066S

(12) **United States Design Patent**  
**Seymour**

(10) **Patent No.:** **US D600,066 S**  
(45) **Date of Patent:** **\*\* Sep. 15, 2009**

(54) **DEEP FRYER**

D588,398 S \* 3/2009 Pan ..... D7/354

(75) Inventor: **Justun C. Seymour**, Eau Claire, WI  
(US)

FOREIGN PATENT DOCUMENTS

CN 200630060898.8 3/2007

(73) Assignee: **National Presto Industries, Inc.**, Eau  
Claire, WI (US)

OTHER PUBLICATIONS

(\*\*) Term: **14 Years**

Presto® GranPappy® Electric Deep Fryer Advertisement, 1 page,  
copyright 2003.

Presto® FryDaddy® Electric Deep Fryer Advertisement, 1 page,  
copyright 2007.

(21) Appl. No.: **29/332,956**

Presto® FryDaddy® Plus Electric Deep Fryer Advertisement, 1  
page, copyright 1990.

(22) Filed: **Feb. 27, 2009**

Presto® FryBaby® Electric Deep Fryer Advertisement, copyright  
1984.

(51) **LOC (9) Cl.** ..... **07-02**

Presto® DualDaddy™ Electric Deep Fryer computer printout, <http://www.gopresto.com/products/products.php?stock=05450>, printed  
Feb. 26, 2009, 1 page, copyright 2008.

(52) **U.S. Cl.** ..... **D7/354**

(58) **Field of Classification Search** ..... D7/323,  
D7/350.2, 352-361, 378-379, 383-384, 402,  
D7/542-545, 667; D21/525; 99/140 R, 337,  
99/340, 345, 403, 422, 425, 455; 219/432-433,  
219/438-441, 620-622, 725-730; 220/573.1-574,  
220/769, 912; 426/438, 441

\* cited by examiner

See application file for complete search history.

*Primary Examiner*—Caron Veynar

*Assistant Examiner*—Ricky Pham

(74) *Attorney, Agent, or Firm*—Patterson, Thuente, Skaar &  
Christensen, P.A.

(56) **References Cited**

(57) **CLAIM**

U.S. PATENT DOCUMENTS

I claim the ornamental design for deep fryer, as shown.

- D246,686 S 12/1977 Boldt
- D284,257 S 6/1986 Greb et al.
- D323,762 S \* 2/1992 Barrault ..... D7/354
- D369,505 S \* 5/1996 Philippe ..... D7/354
- D380,504 S \* 7/1997 Yang ..... D21/525
- D382,767 S \* 8/1997 Lien ..... D7/360
- D416,166 S \* 11/1999 Hirose et al. .... D7/360
- D431,150 S 9/2000 Kalina et al.
- D444,666 S 7/2001 Kalina et al.
- D444,994 S 7/2001 Kalina et al.
- D552,921 S \* 10/2007 Garman et al. .... D7/354
- D568,092 S \* 5/2008 Boes et al. .... D7/354
- D581,206 S \* 11/2008 Roussard ..... D7/358

**DESCRIPTION**

FIG. 1 is a perspective view of a deep fryer according to an  
embodiment of the invention.

FIG. 2 is a front view of the deep fryer of FIG. 1.

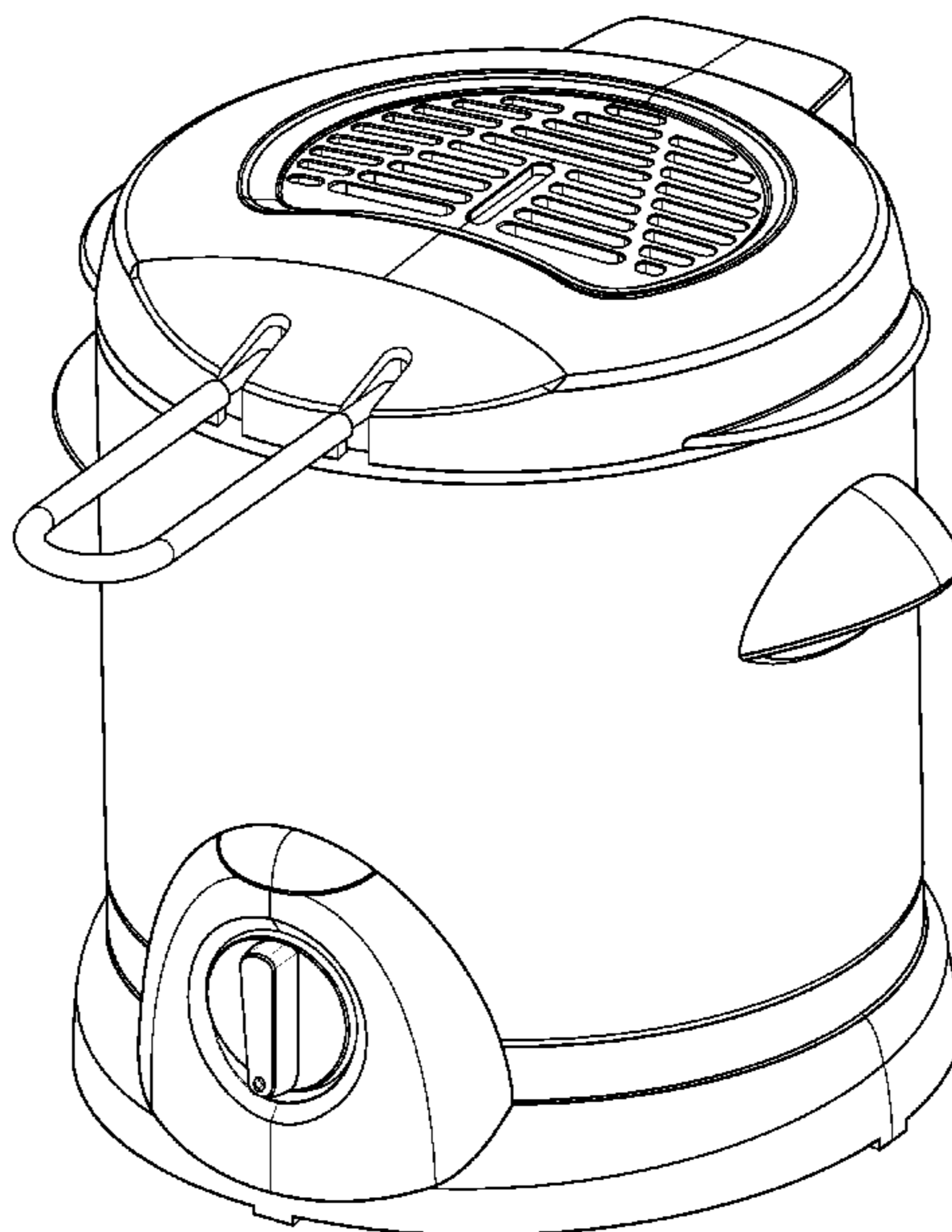
FIG. 3 is a rear view of the deep fryer of FIG. 1.

FIG. 4 is a side view of the deep fryer of FIG. 1.

FIG. 5 is a top view of the deep fryer of FIG. 1; and,

FIG. 6 is a bottom view of the deep fryer of FIG. 1.

**1 Claim, 6 Drawing Sheets**



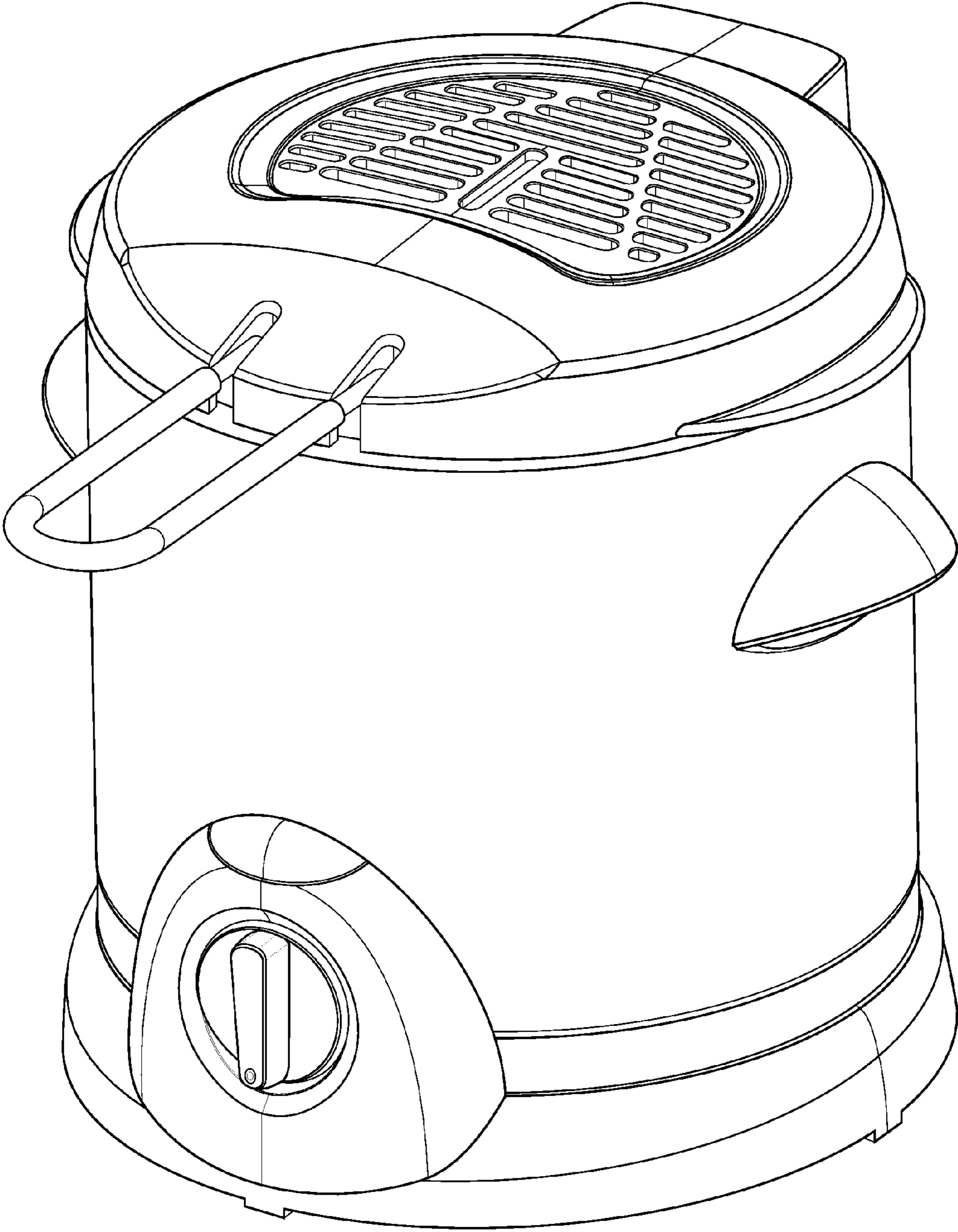


Fig. 1

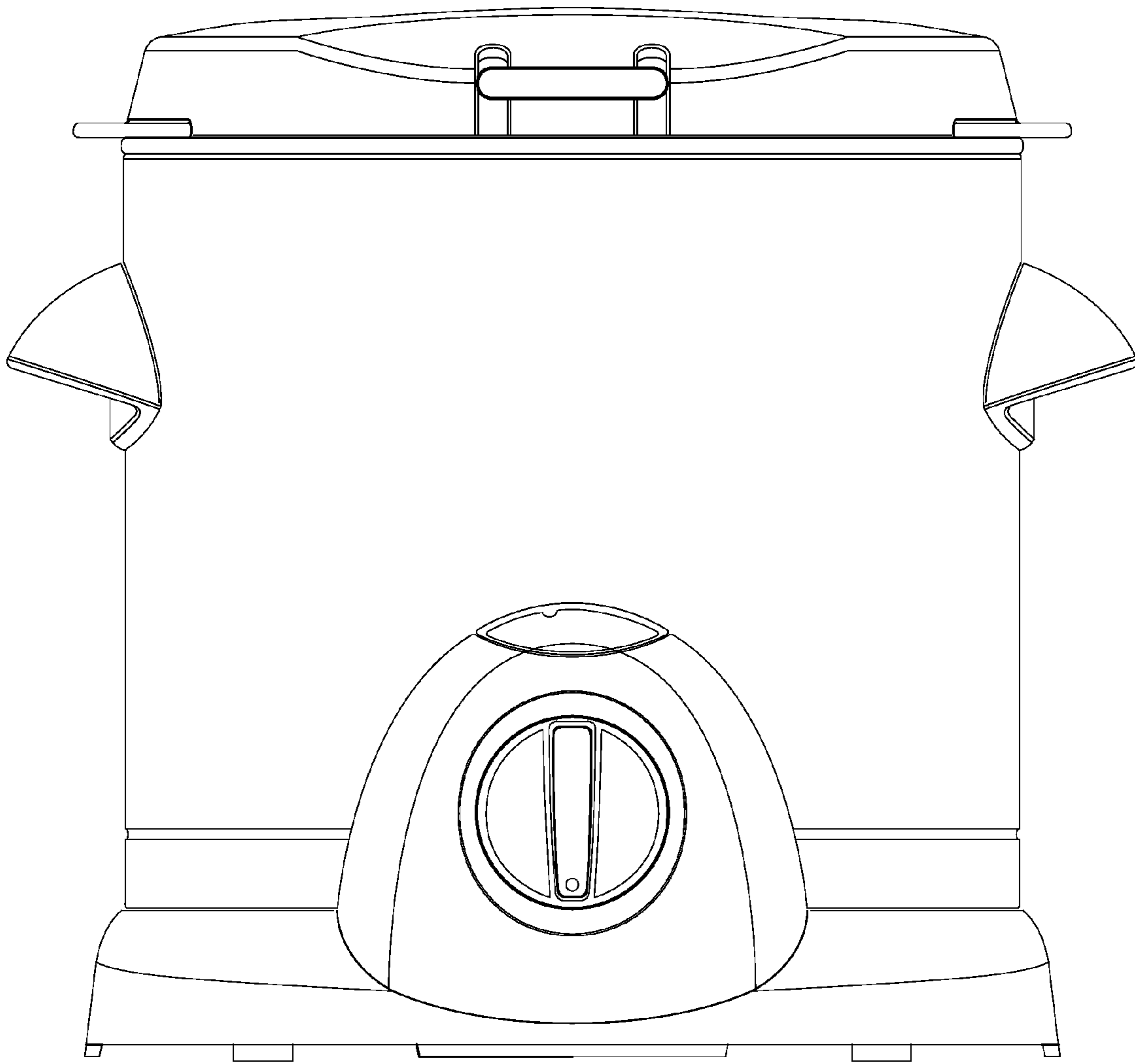


Fig. 2

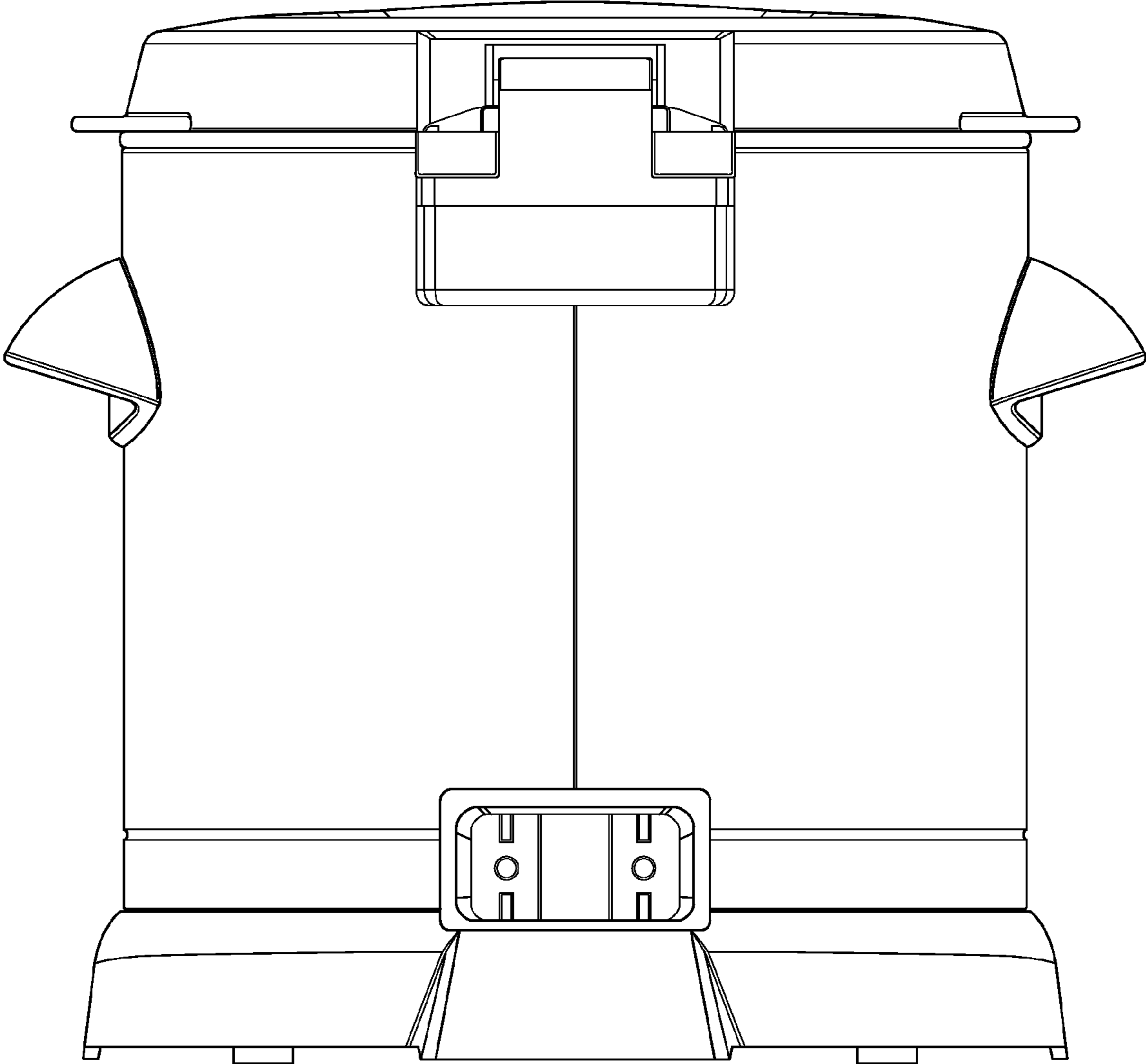


Fig. 3

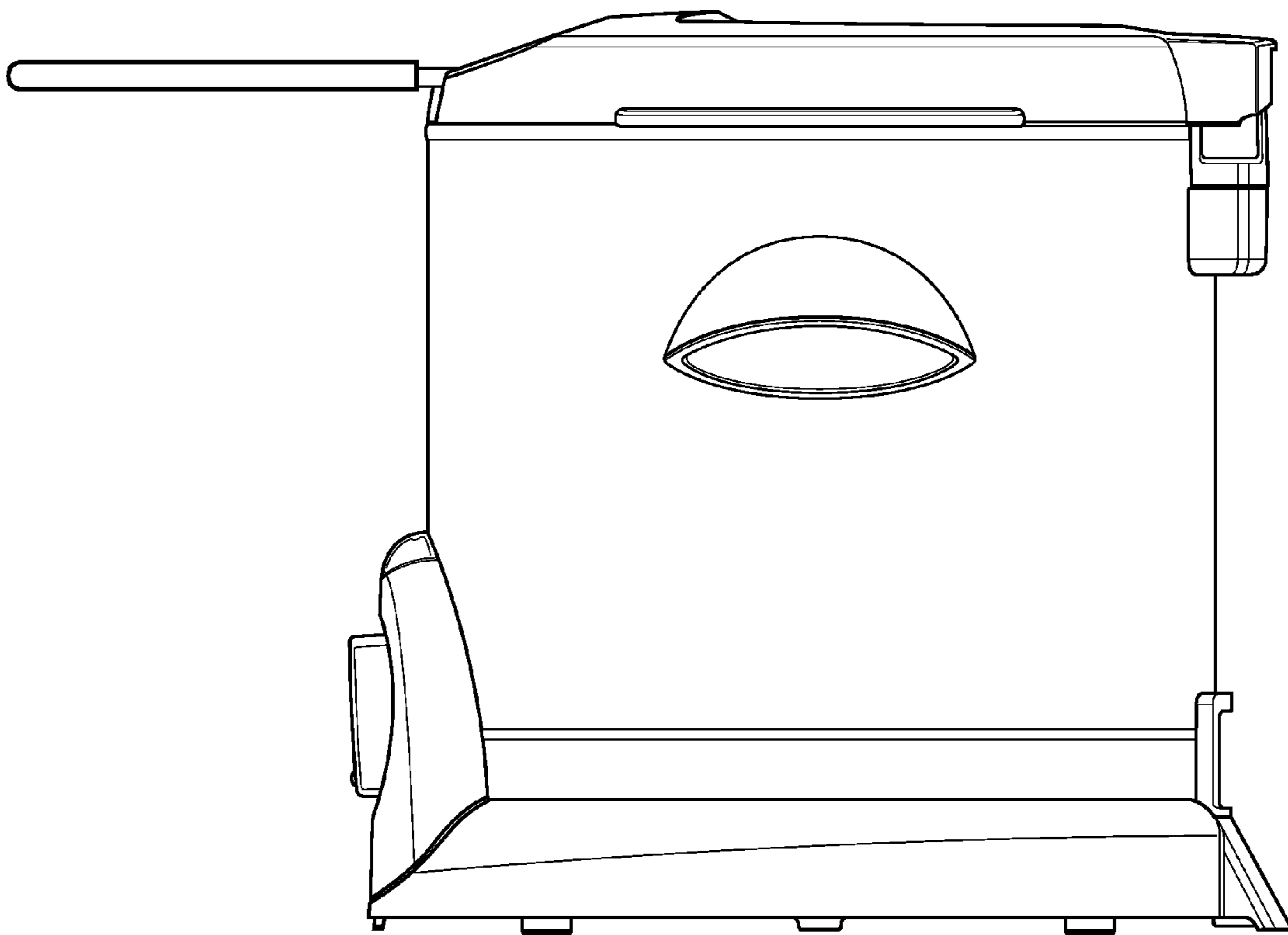


Fig. 4



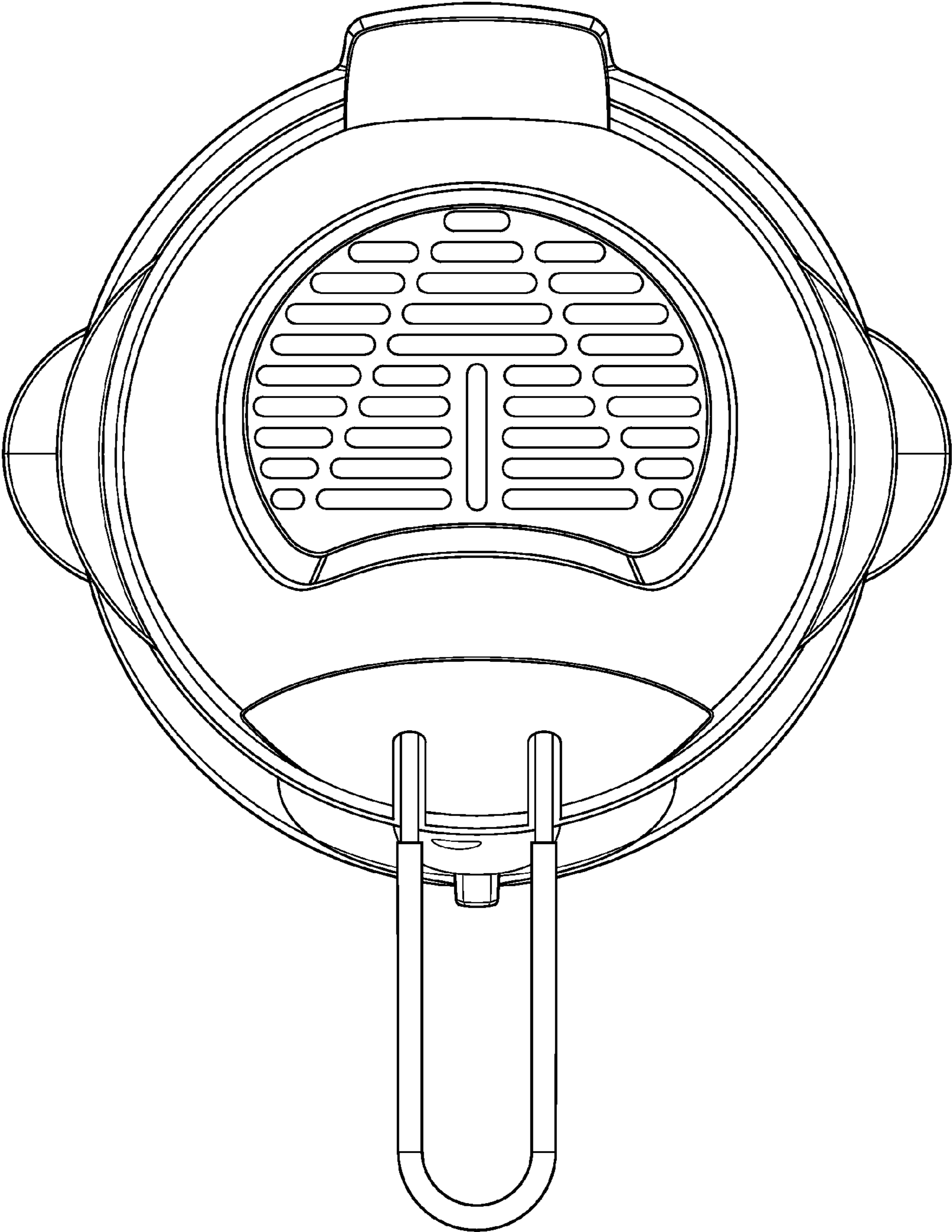


Fig. 5

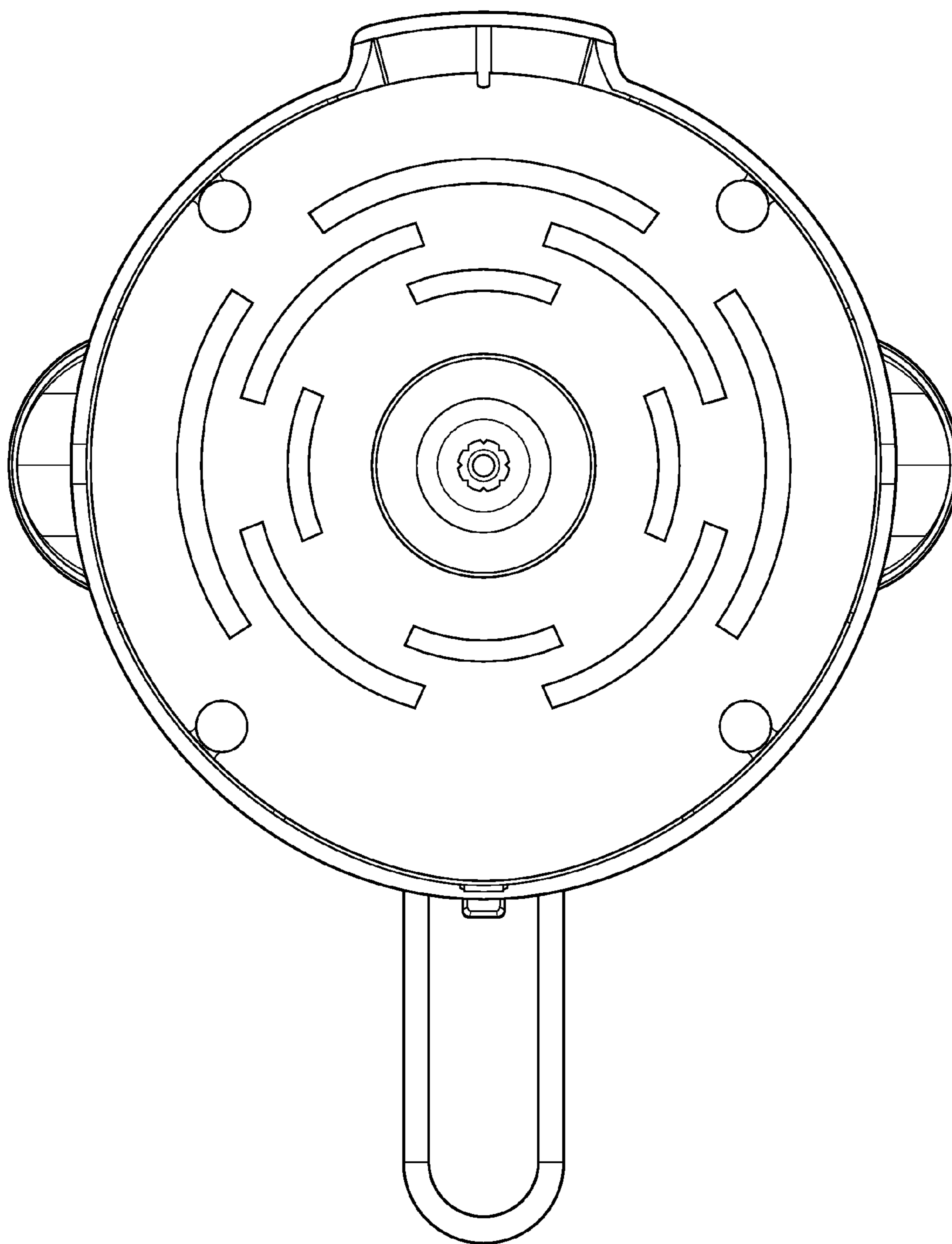


Fig. 6