



US00D600065S

(12) **United States Design Patent**
Tienor et al.

(10) **Patent No.:** **US D600,065 S**

(45) **Date of Patent:** **** Sep. 15, 2009**

(54) **WAFFLE MAKER**

(75) Inventors: **Lawrence J. Tienor**, Eau Claire, WI (US); **Justun C. Seymour**, Eau Claire, WI (US)

(73) Assignee: **National Presto Industries, Inc.**, Eau Claire, WI (US)

(**) Term: **14 Years**

(21) Appl. No.: **29/333,530**

(22) Filed: **Mar. 11, 2009**

Related U.S. Application Data

(63) Continuation-in-part of application No. 11/788,811, filed on Apr. 20, 2007.

(51) **LOC (9) Cl.** **07-02**

(52) **U.S. Cl.** **D7/352**

(58) **Field of Classification Search** D7/323, D7/328, 334-341, 347-349, 352-363, 409-411, D7/609; 99/219, 331-332, 339-340, 372-375, 99/385-402, 444, 446, 618, 620; 219/386, 219/432-433, 438-441, 620-622, 725-730
See application file for complete search history.

(56) **References Cited**

U.S. PATENT DOCUMENTS

2,116,688 A * 5/1938 Ratliff 99/374
6,167,796 B1 * 1/2001 Wright et al. 99/332
D488,667 S * 4/2004 Seum et al. D7/352
D504,276 S * 4/2005 Vial D7/352

7,021,199 B2 4/2006 Lubowicki et al.
D522,803 S * 6/2006 Lam D7/352
D523,284 S * 6/2006 Lam D7/352
D587,061 S * 2/2009 Lavy D7/352

* cited by examiner

Primary Examiner—Caron Veynar

Assistant Examiner—Ricky Pham

(74) *Attorney, Agent, or Firm*—Patterson, Thuente, Skaar & Christensen, P.A

(57) **CLAIM**

The ornamental design for a waffle maker, as shown and described.

DESCRIPTION

FIG. 1 is a left, front perspective view of a waffle maker in a closed orientation according to an embodiment of the invention.

FIG. 2 is a front, right perspective view of the waffle maker of FIG. 1 in an open, right-rotated orientation.

FIG. 3 is a front view of the waffle maker of FIG. 1.

FIG. 4 is a front view of the waffle maker of FIG. 1 in a closed, left-rotated orientation.

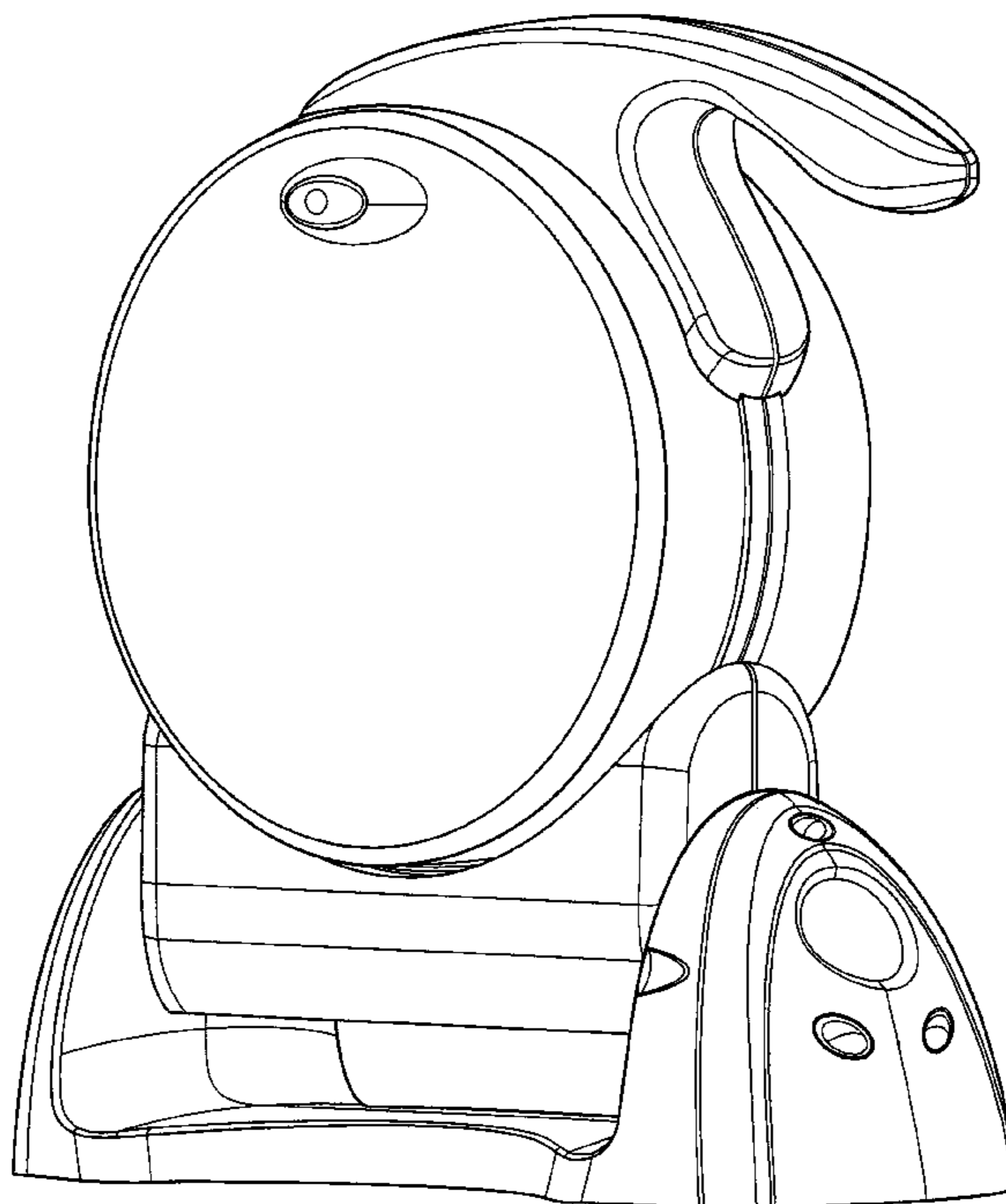
FIG. 5 is a left, side view of the waffle maker of FIG. 1.

FIG. 6 is a top view of the waffle maker of FIG. 1 in the closed, left-rotated orientation.

FIG. 7 is a top view of the waffle maker of FIG. 1; and,

FIG. 8 is a bottom view of the waffle maker of FIG. 1.

1 Claim, 8 Drawing Sheets



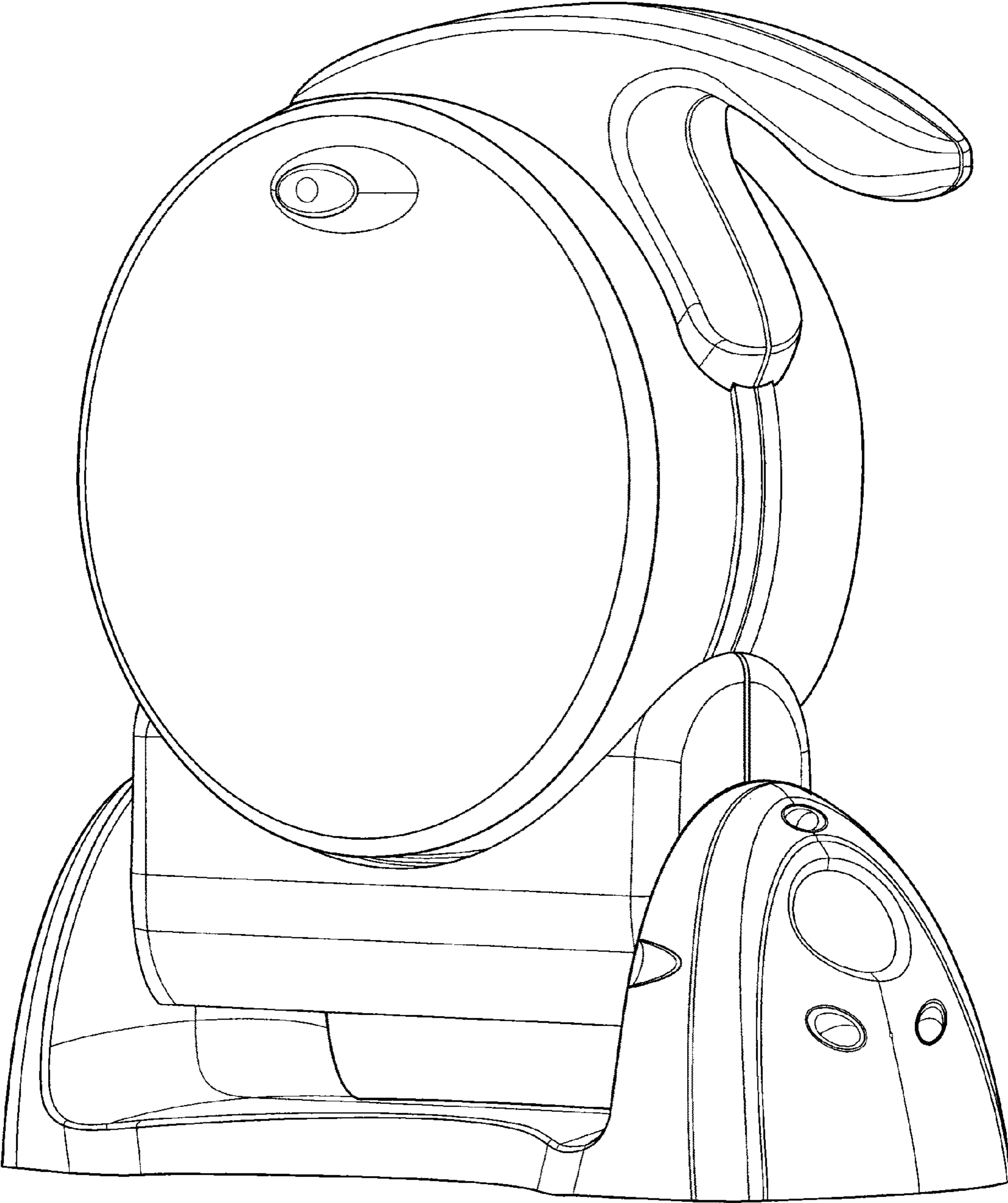


Fig. 1

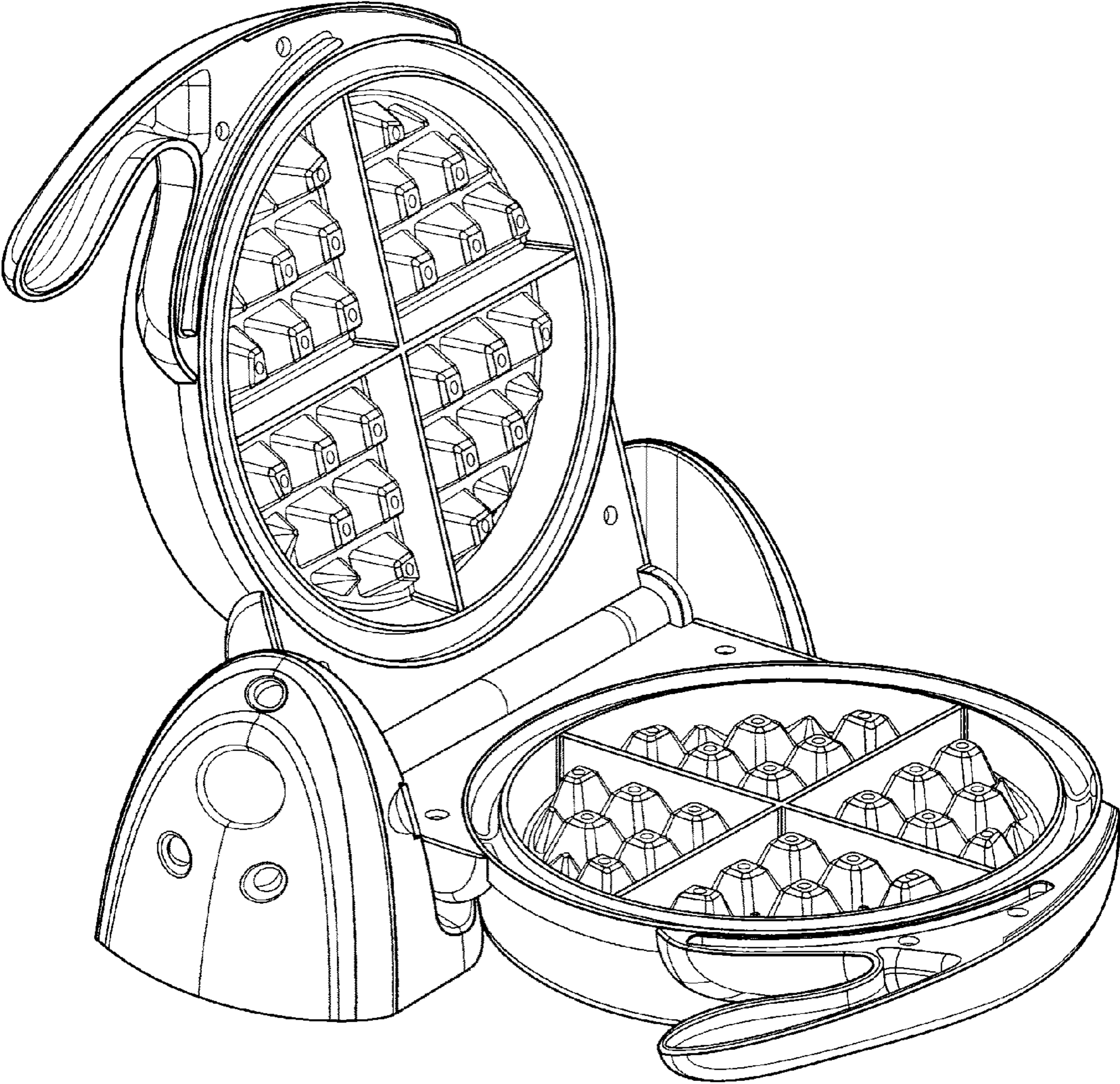


Fig. 2

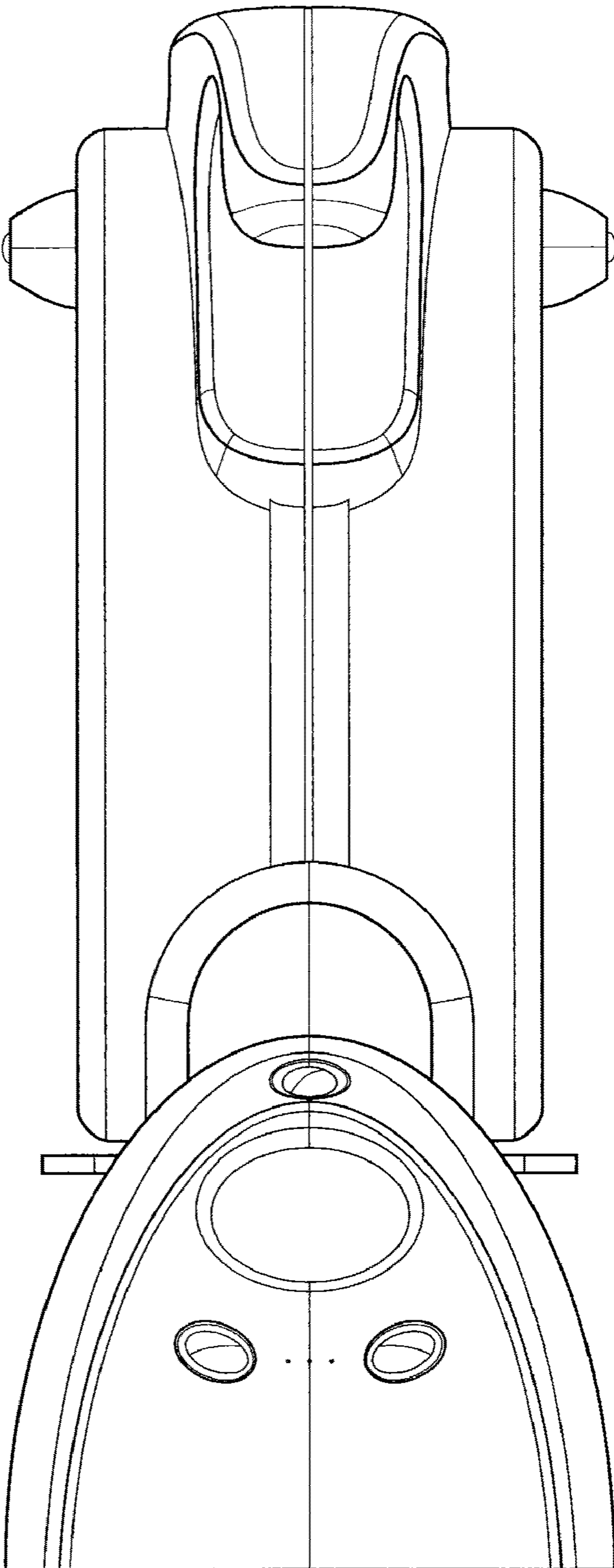


Fig. 3

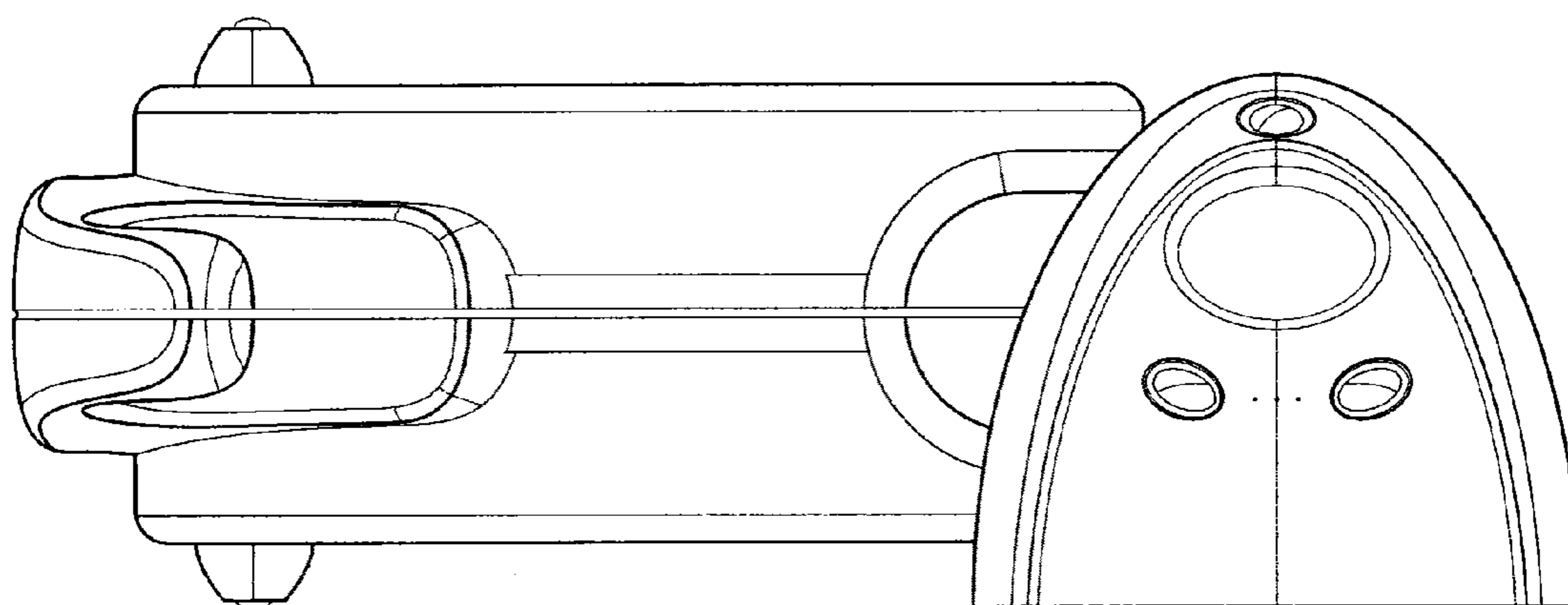


Fig. 4

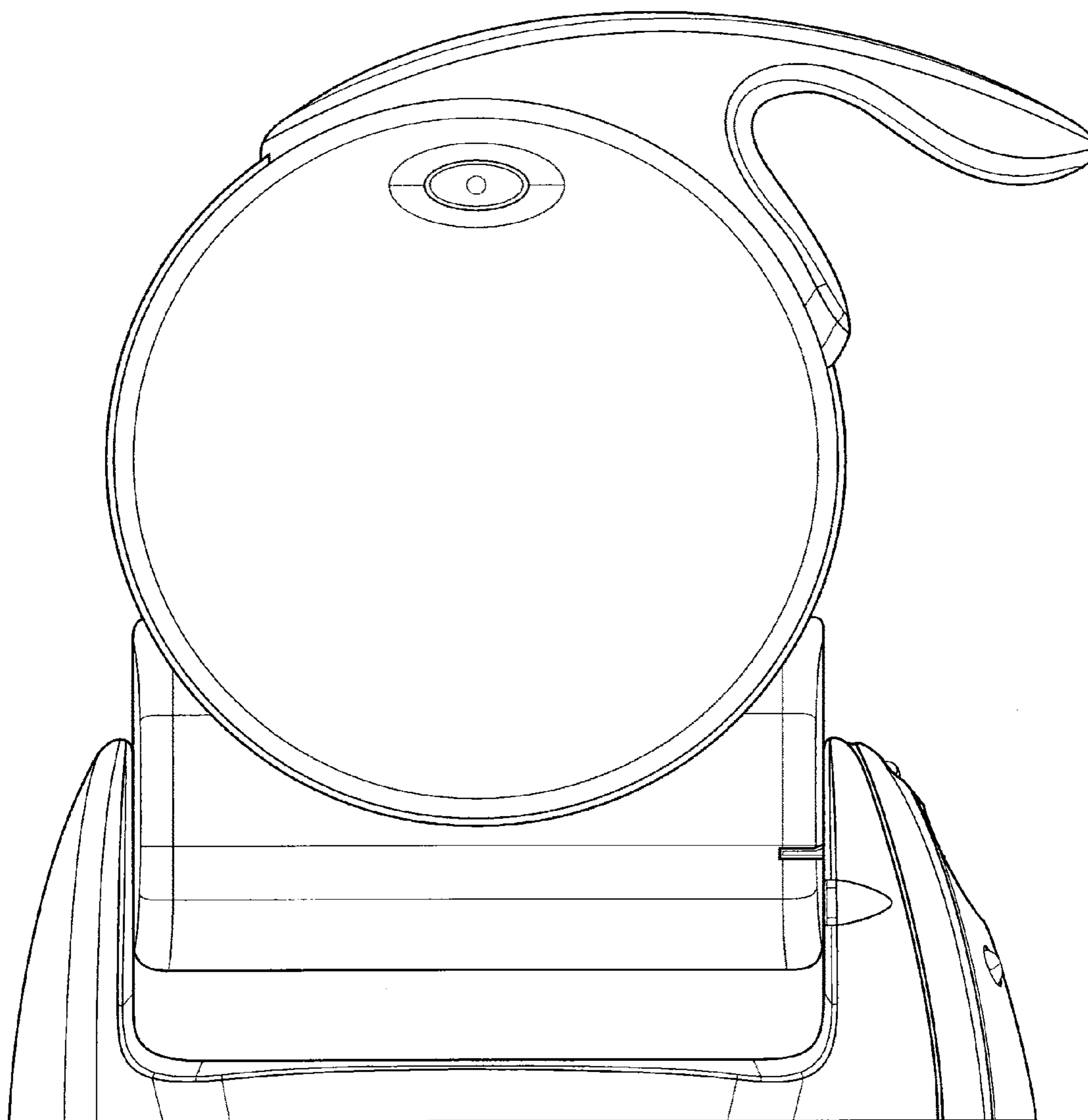


Fig. 5

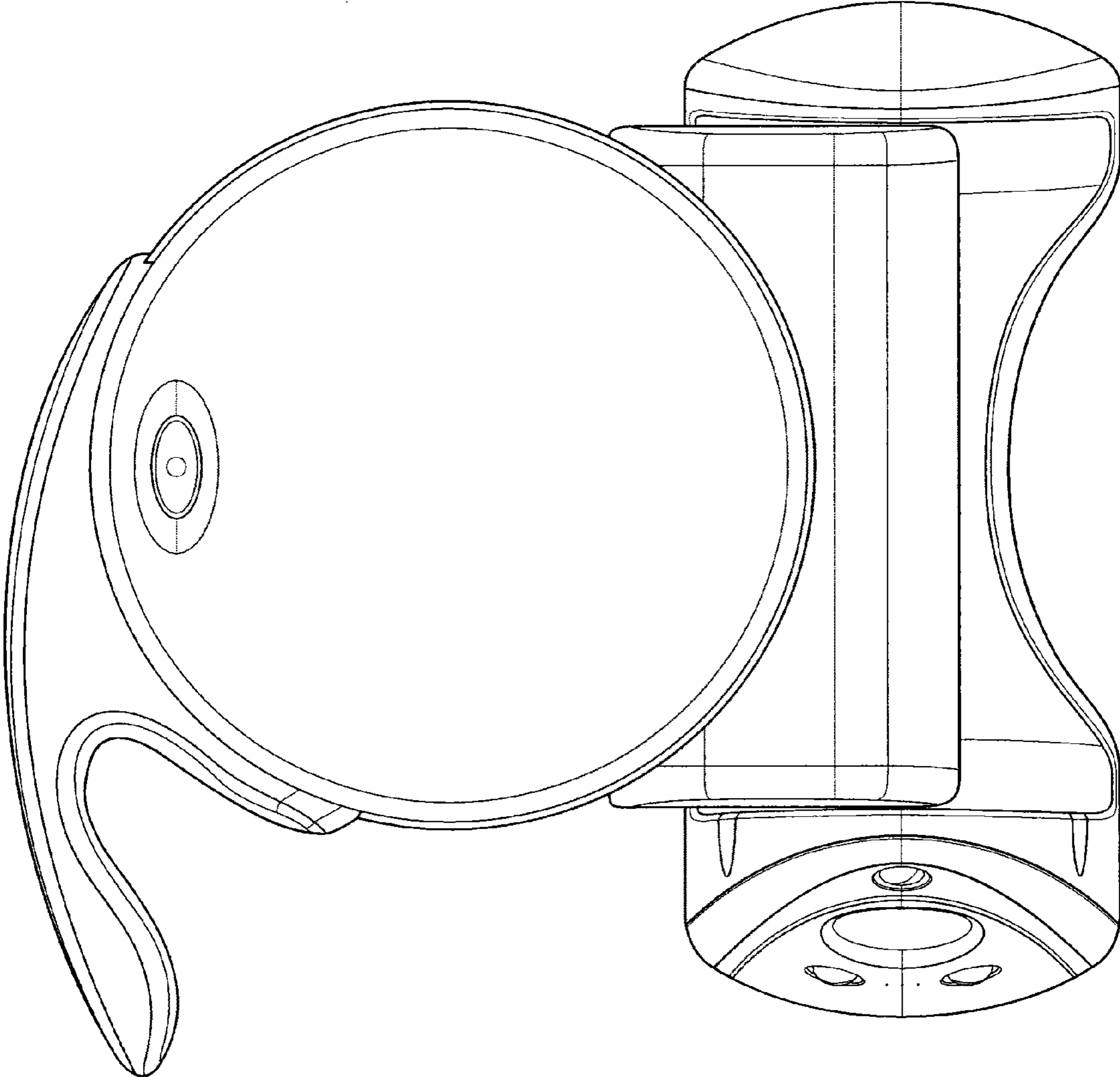


Fig. 6

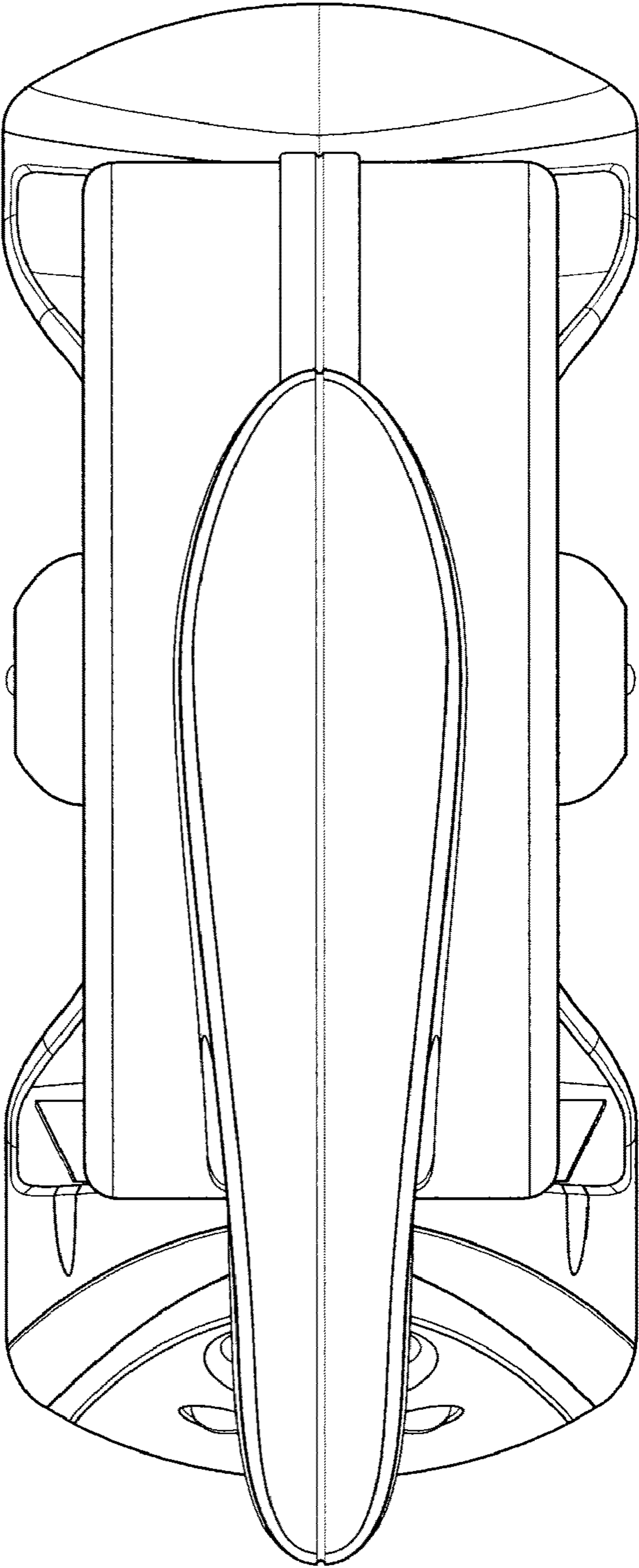


Fig. 7

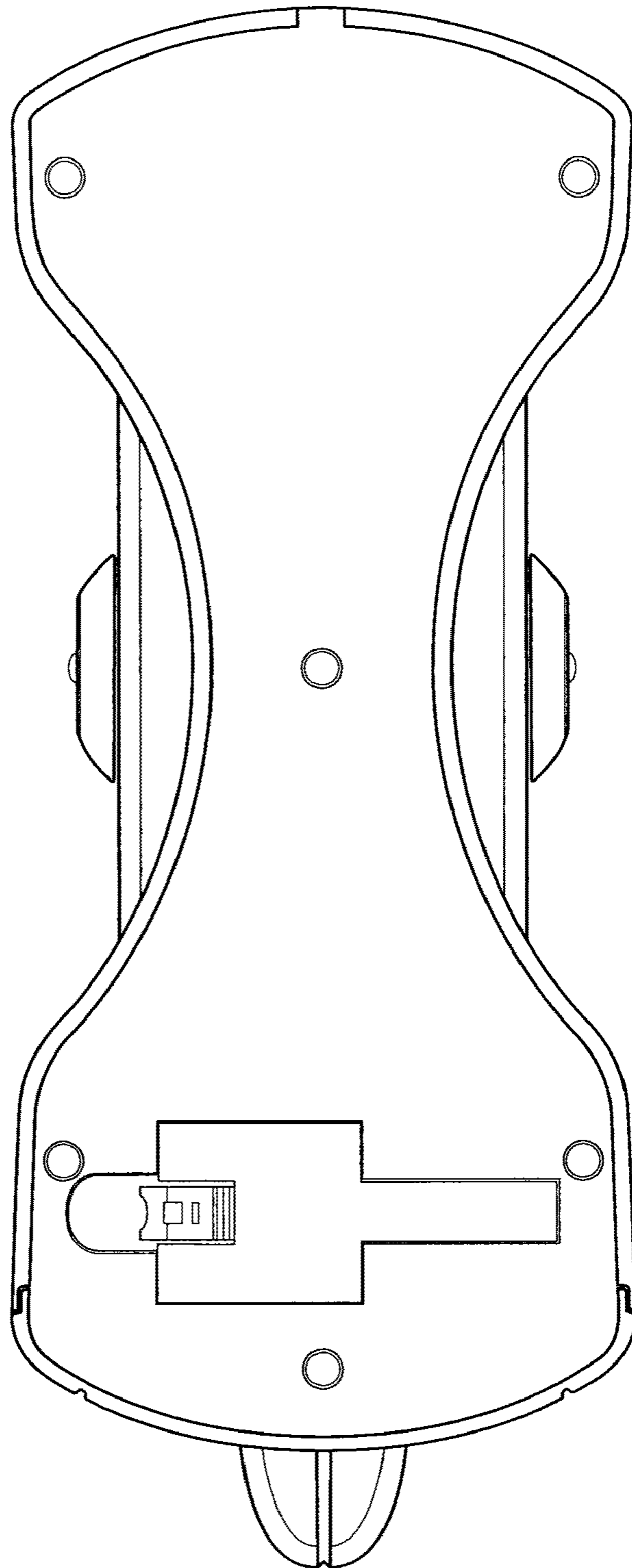


Fig. 8