

US00D600061S

(12) **United States Design Patent**  
**Glucksman et al.**

(10) **Patent No.:** **US D600,061 S**

(45) **Date of Patent:** **\*\* Sep. 15, 2009**

(54) **COFFEE MAKER**

(75) Inventors: **Dov Z Glucksman**, Danvers, MA (US);  
**Laura J Nickerson**, Fitchburg, MA (US)

(73) Assignee: **Conair Corporation**, Stamford, CT  
(US)

(\*\*) Term: **14 Years**

(21) Appl. No.: **29/318,572**

(22) Filed: **May 22, 2008**

(51) **LOC (9) Cl.** ..... **07-01**

(52) **U.S. Cl.** ..... **D7/309; D7/311; D7/306**

(58) **Field of Classification Search** ..... D7/300,  
D7/301, 306-311; 222/129.1-129.4, 146.6,  
222/185.1; 220/737; 99/279

See application file for complete search history.

(56) **References Cited**

**U.S. PATENT DOCUMENTS**

D273,654 S *	5/1984	Sedam et al. ....	D7/307
D284,926 S *	8/1986	Sedam et al. ....	D7/308
D296,408 S *	6/1988	Gaunt et al. ....	D7/308
D324,319 S *	3/1992	Faerber et al. ....	D7/308
D453,655 S *	2/2002	Powell et al. ....	D7/306

D482,231 S *	11/2003	Dickson et al. ....	D7/378
D509,701 S *	9/2005	Lam .....	D7/309
D556,494 S *	12/2007	Adachi et al. ....	D7/308
D570,636 S *	6/2008	Kulujian et al. ....	D7/306
D577,244 S *	9/2008	Cahen .....	D7/305
D587,511 S *	3/2009	Buttler .....	D7/309

\* cited by examiner

*Primary Examiner*—Marianne Pandozzi

(74) *Attorney, Agent, or Firm*—Lawrence Cruz

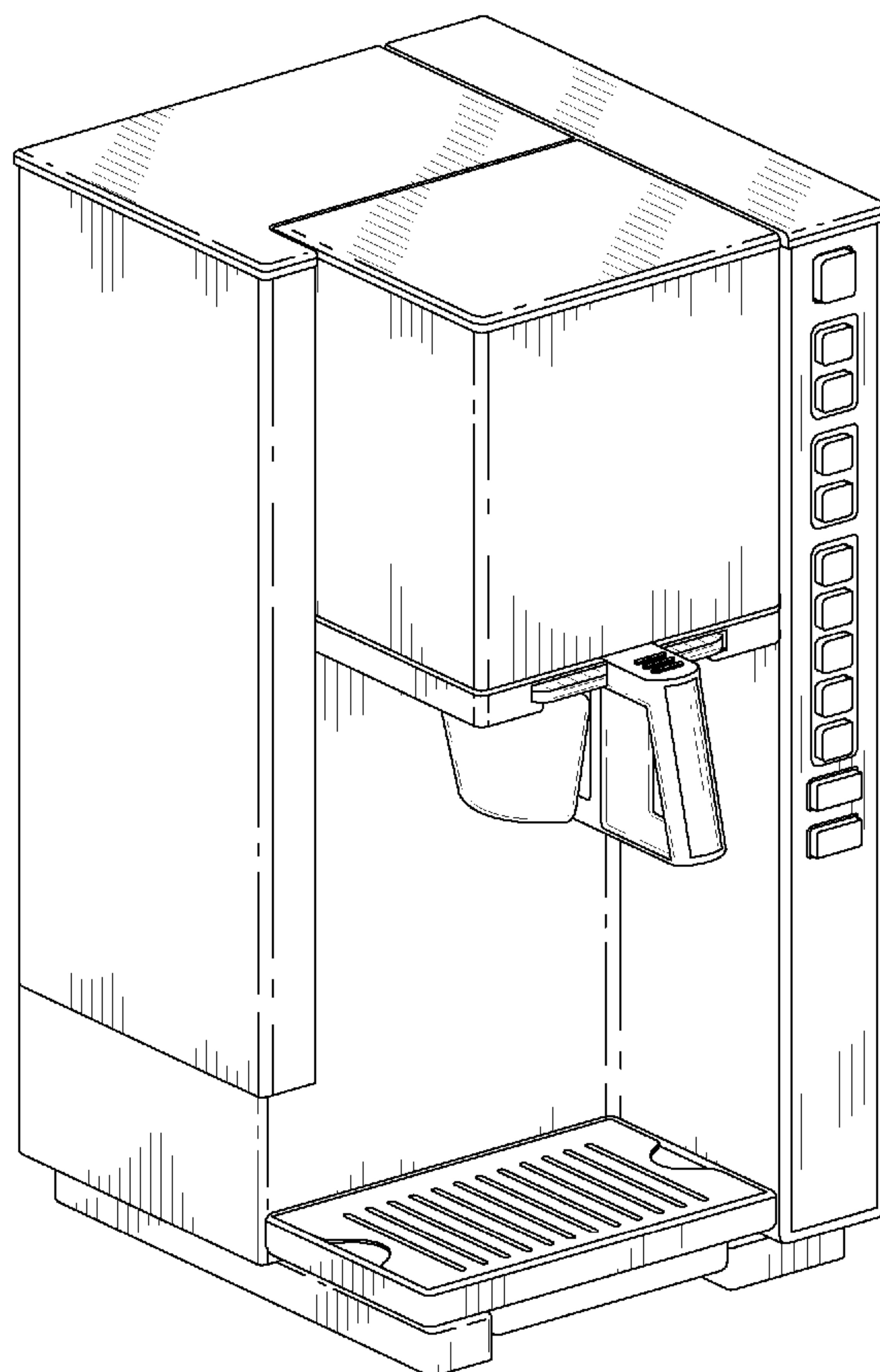
(57) **CLAIM**

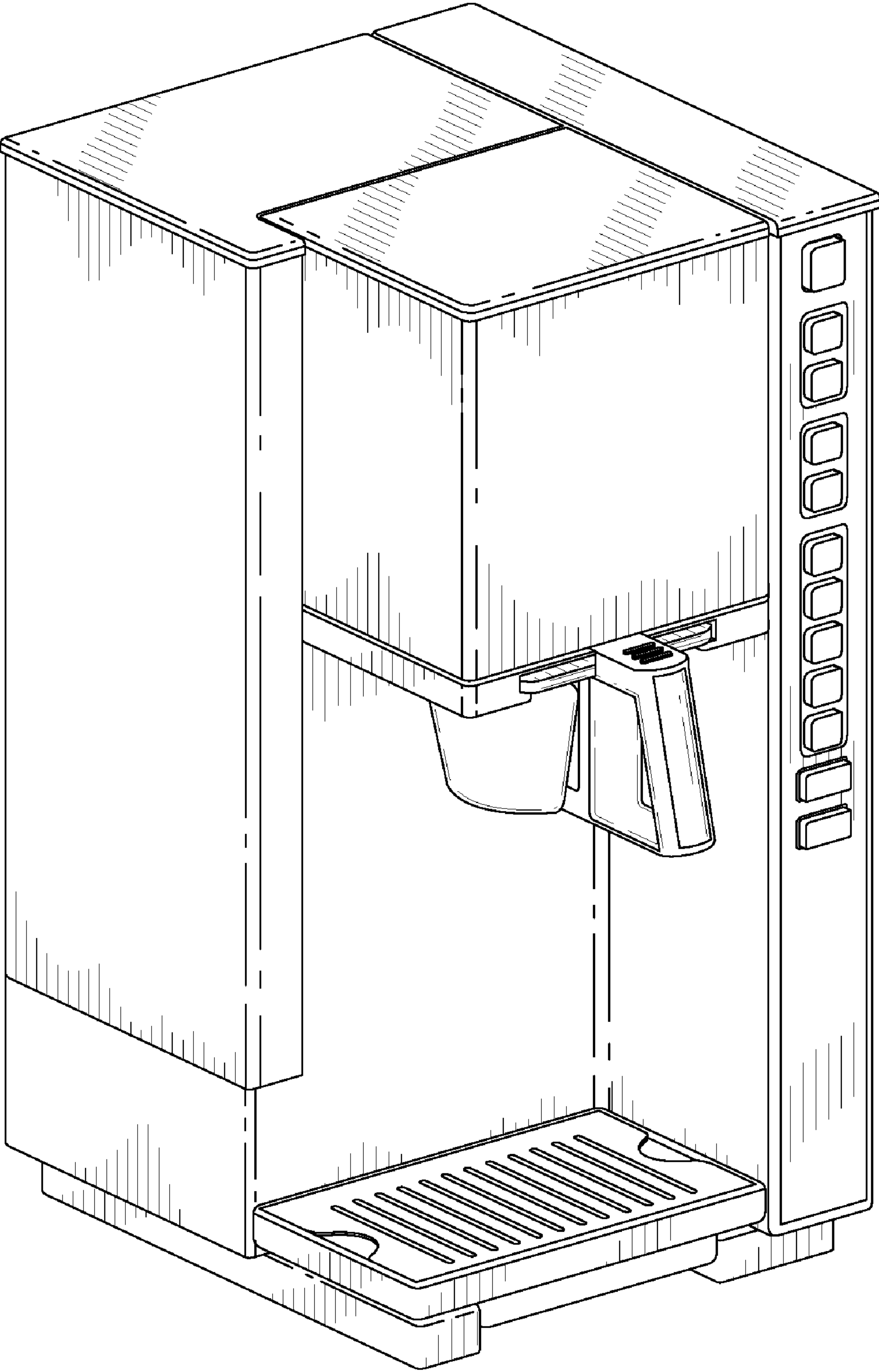
The ornamental design for a coffee maker, as shown and described.

**DESCRIPTION**

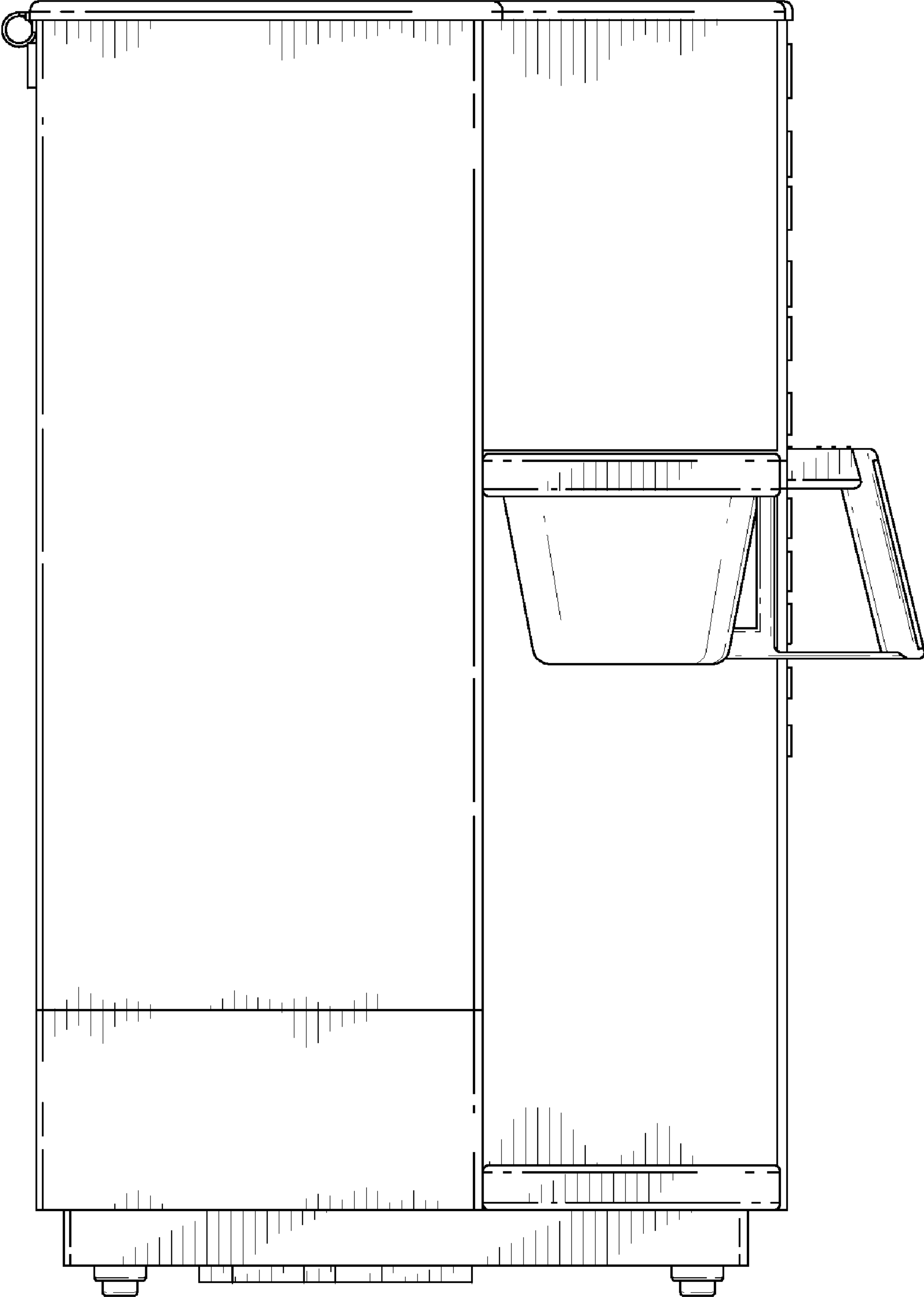
FIG. 1 is a perspective view of the coffee maker;  
FIG. 2 is a left side view thereof;  
FIG. 3 is a right side view thereof;  
FIG. 4 is a front view thereof;  
FIG. 5 is a rear view thereof;  
FIG. 6 is a top view thereof; and,  
FIG. 7 is a bottom view thereof.

**1 Claim, 6 Drawing Sheets**

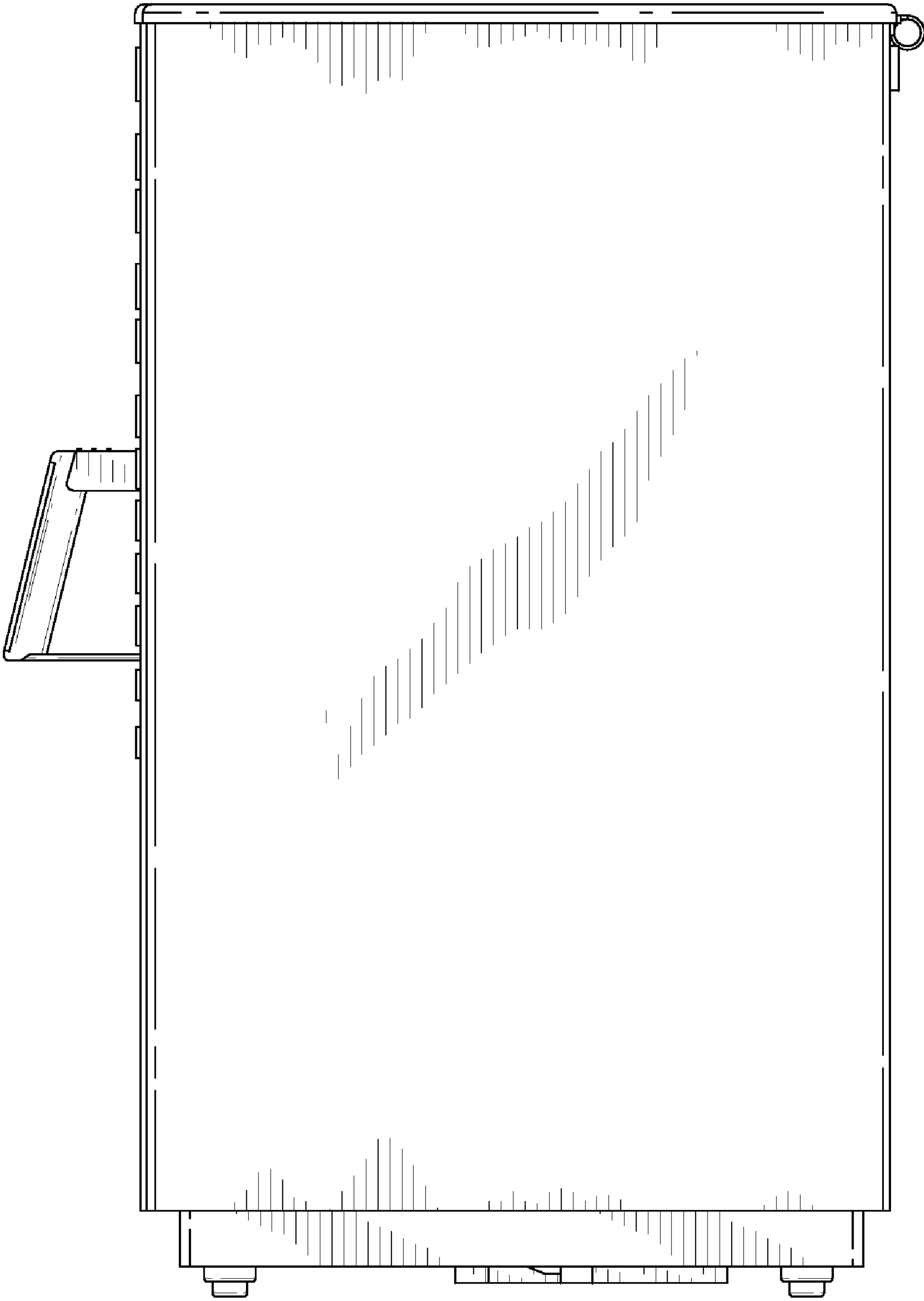




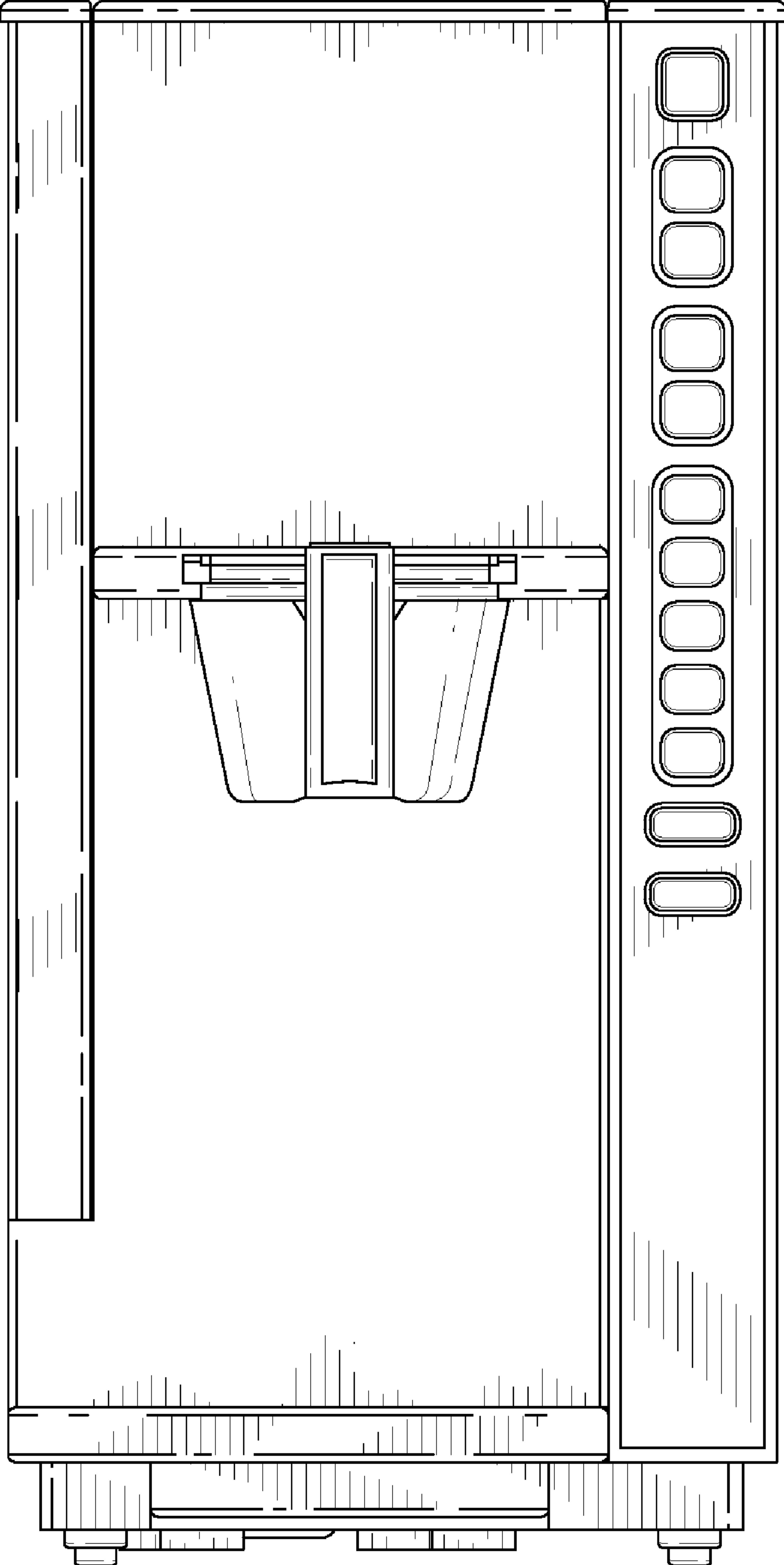
**FIG. 1**



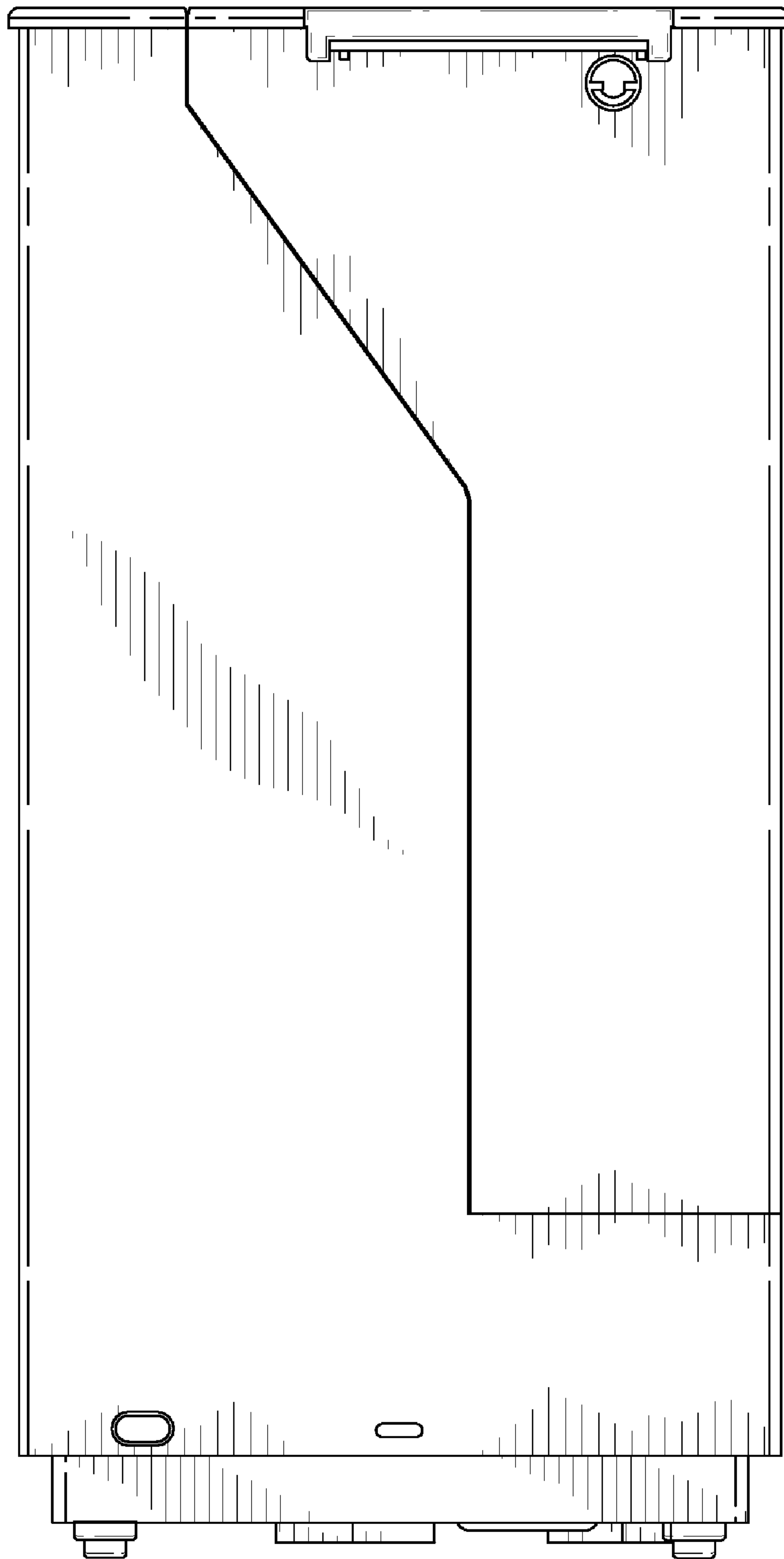
**FIG. 2**



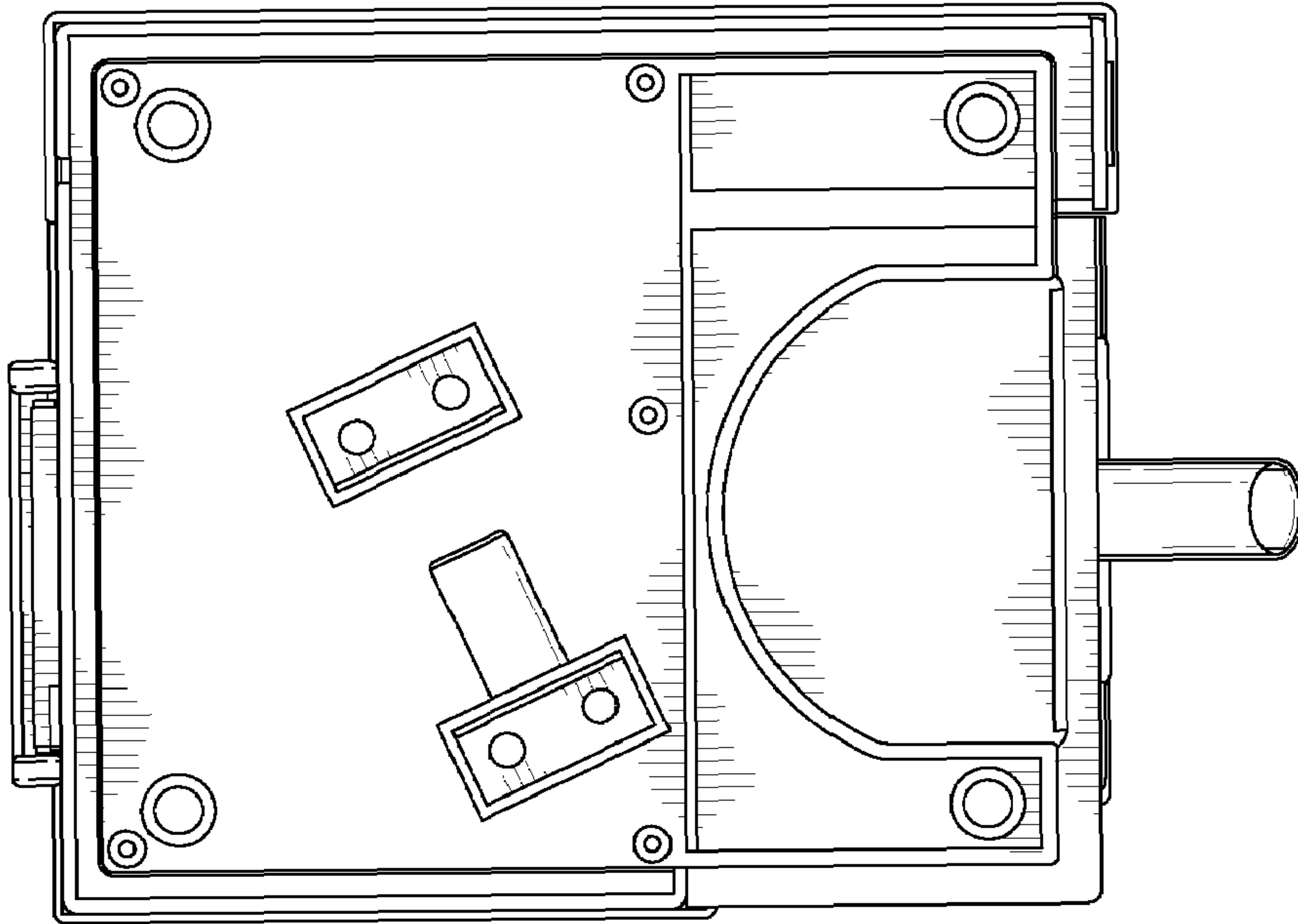
**FIG. 3**



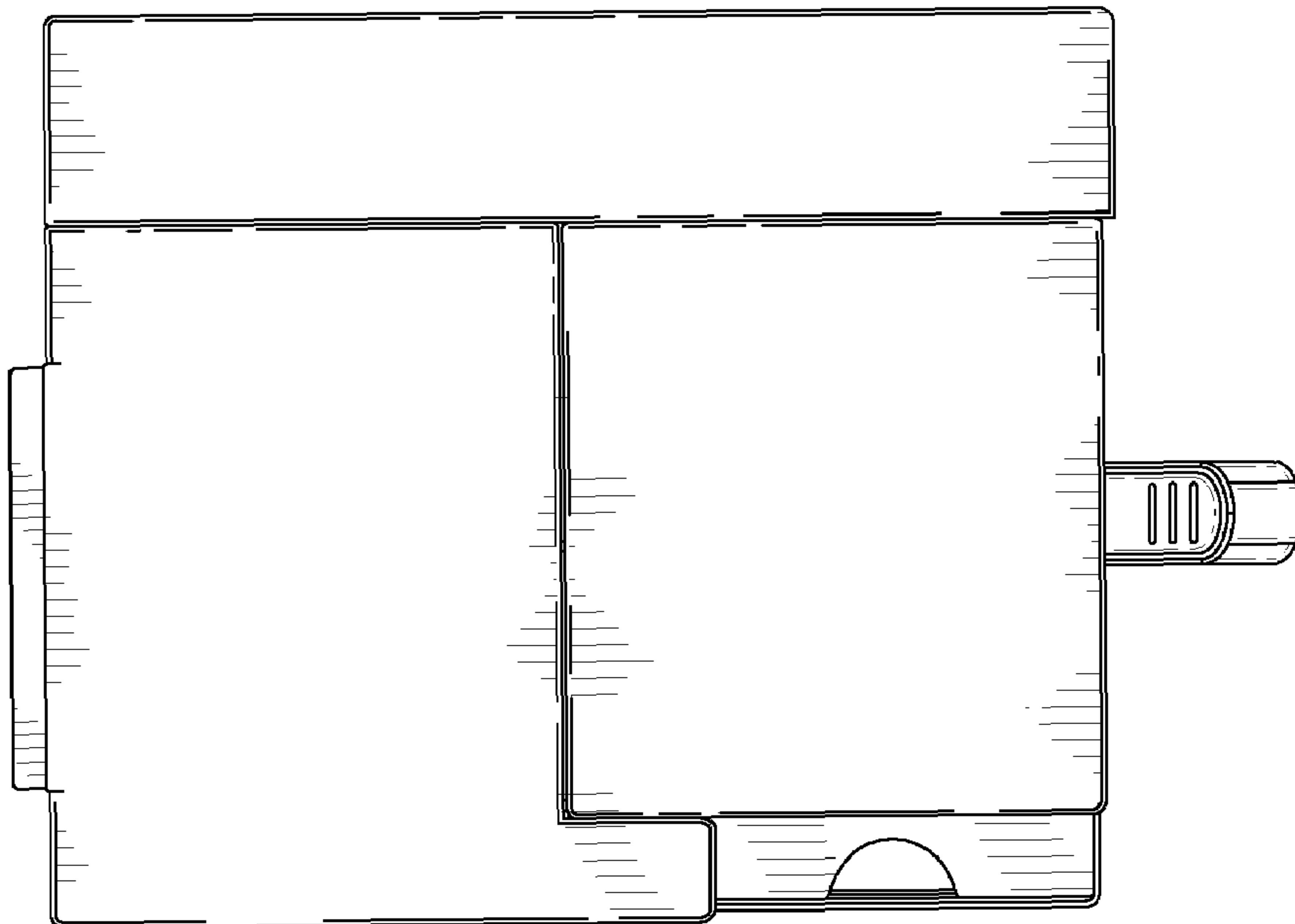
**FIG. 4**



**FIG. 5**



**FIG. 7**



**FIG. 6**