



US00D600059S

(12) **United States Design Patent**
Guerra

(10) **Patent No.:** **US D600,059 S**

(45) **Date of Patent:** **** Sep. 15, 2009**

(54) **PREGNANCY PRONE POSITIONER**

D567,562 S * 4/2008 Nash D6/601
7,353,551 B2 4/2008 Racavolis

(76) Inventor: **Brian S. Guerra**, 8 Aldesan Ct., St. Peters, MO (US) 63376

OTHER PUBLICATIONS

Body's Kneaded, The Prego Pillow, <http://www.pregopillow.com/pregopillow.htm>. Jun. 16, 2008.

(**) Term: **14 Years**

* cited by examiner

(21) Appl. No.: **29/319,833**

Primary Examiner—Janice E Seeger

(22) Filed: **Jun. 16, 2008**

(74) *Attorney, Agent, or Firm*—Grace J. Fishel

(51) **LOC (9) Cl.** **06-09**

(57) **CLAIM**

(52) **U.S. Cl.** **D6/601**

(58) **Field of Classification Search** D6/595,
D6/596, 599, 601, 604; 5/630, 631, 633,
5/636, 637, 640, 652–655, 655.3, 655.9,
5/419, 420, 930; D21/809

The ornamental design for a pregnancy prone positioner, as shown and described.

See application file for complete search history.

DESCRIPTION

(56) **References Cited**

FIG. 1 is a perspective view of a pregnancy prone positioner showing my new design;

U.S. PATENT DOCUMENTS

FIG. 2 is a left side elevation thereof, the right side being a mirror image;

3,276,046	A *	10/1966	Capelli	5/639
D207,079	S *	2/1967	Wirth	D6/601
D271,834	S *	12/1983	Huntsinger	D6/601
5,400,449	A	3/1995	Satto	
5,790,999	A	8/1998	Clark	
6,079,067	A *	6/2000	Becker et al.	5/655
6,499,164	B1	12/2002	Leach	
6,754,924	B1	6/2004	Brady et al.	
D503,062	S *	3/2005	Nash	D6/601
7,290,303	B2	11/2007	Mead et al.	

FIG. 3 is a front elevation thereof;

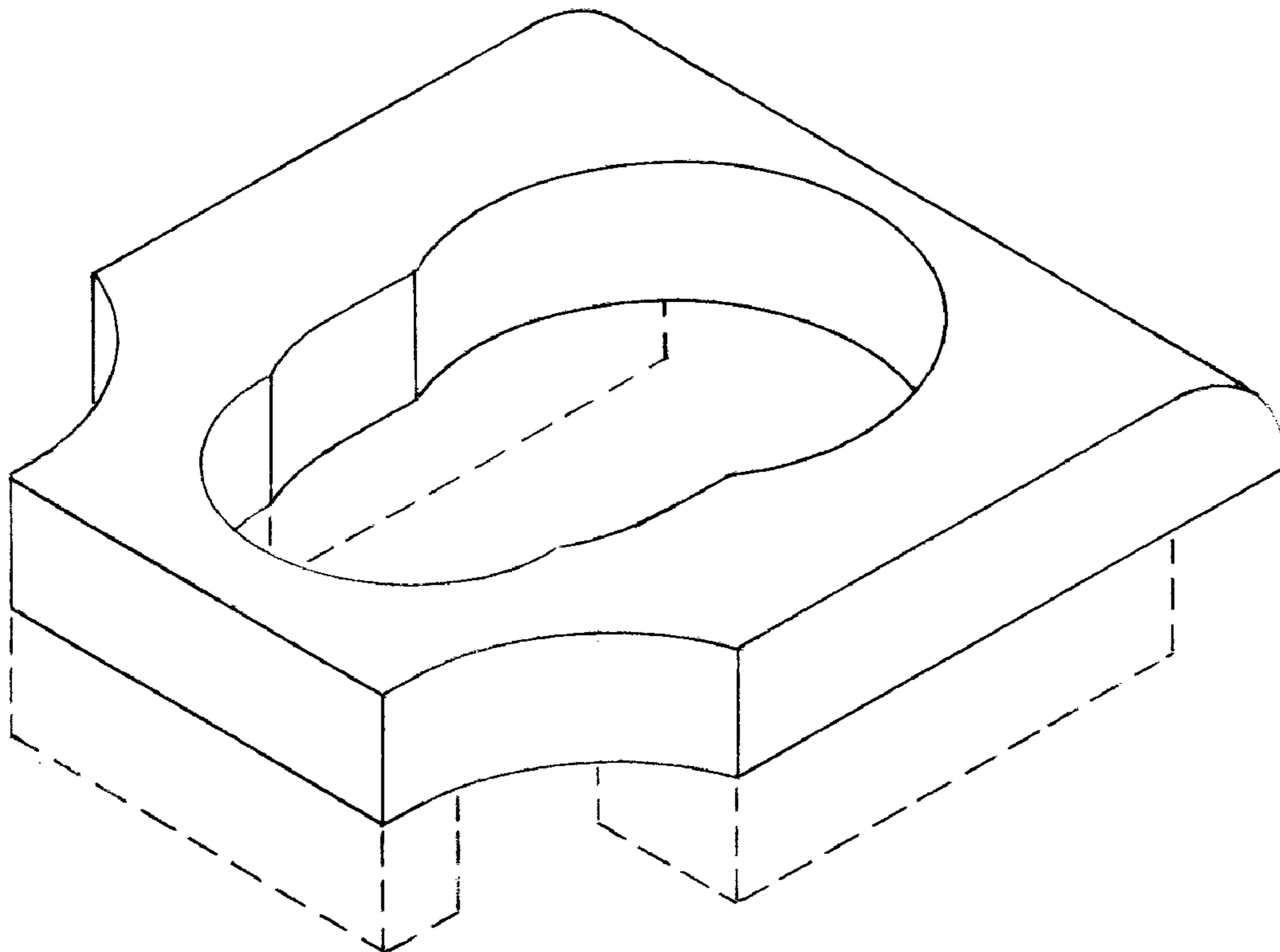
FIG. 4 is a top plan view thereof;

FIG. 5 is a bottom plan view thereof; and,

FIG. 6 is a back elevation thereof.

The auxiliary support cushions shown in broken lines in FIGS. 1–4 and 6 are not part of the claimed design.

1 Claim, 3 Drawing Sheets



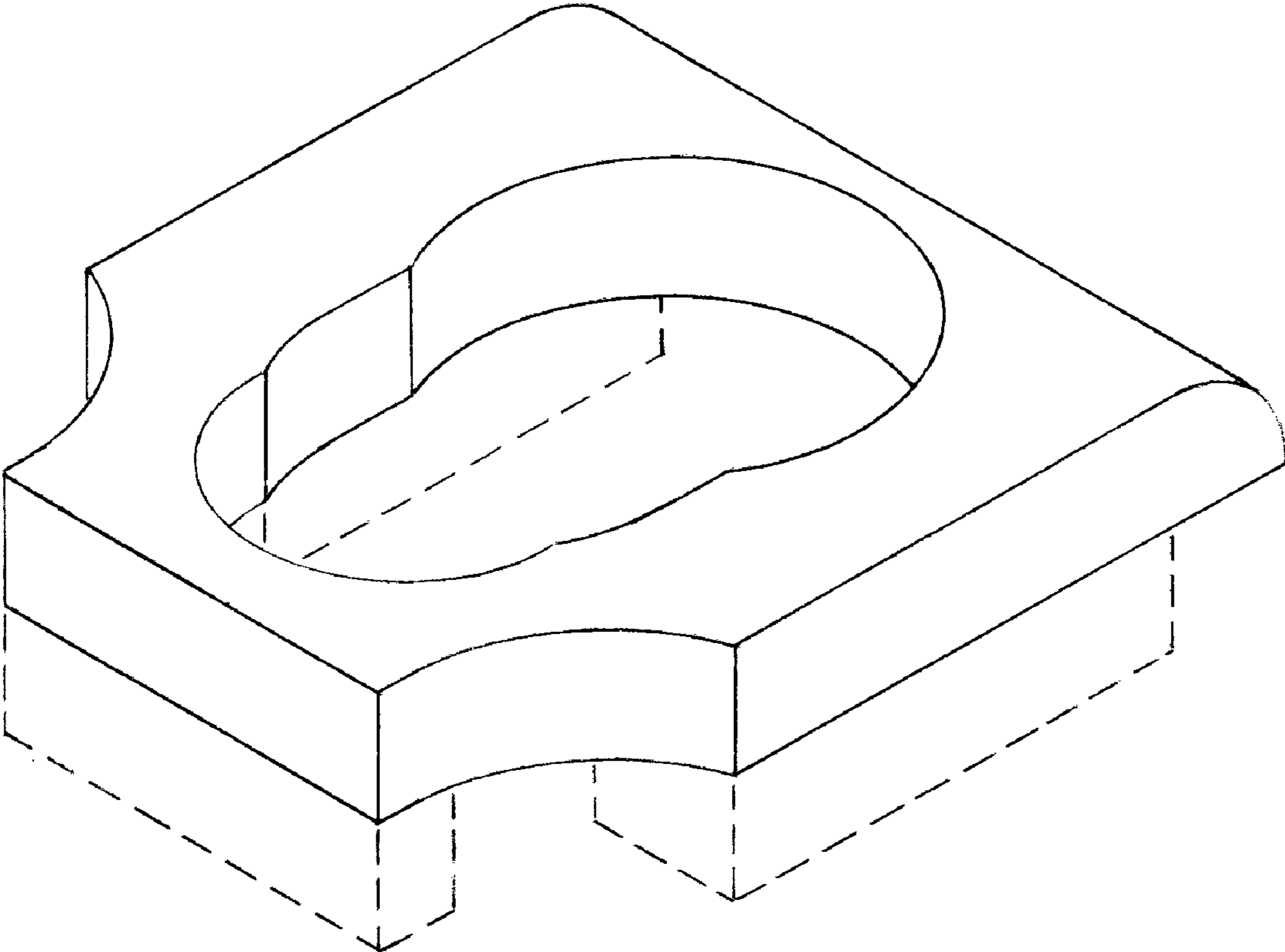


FIG. 1

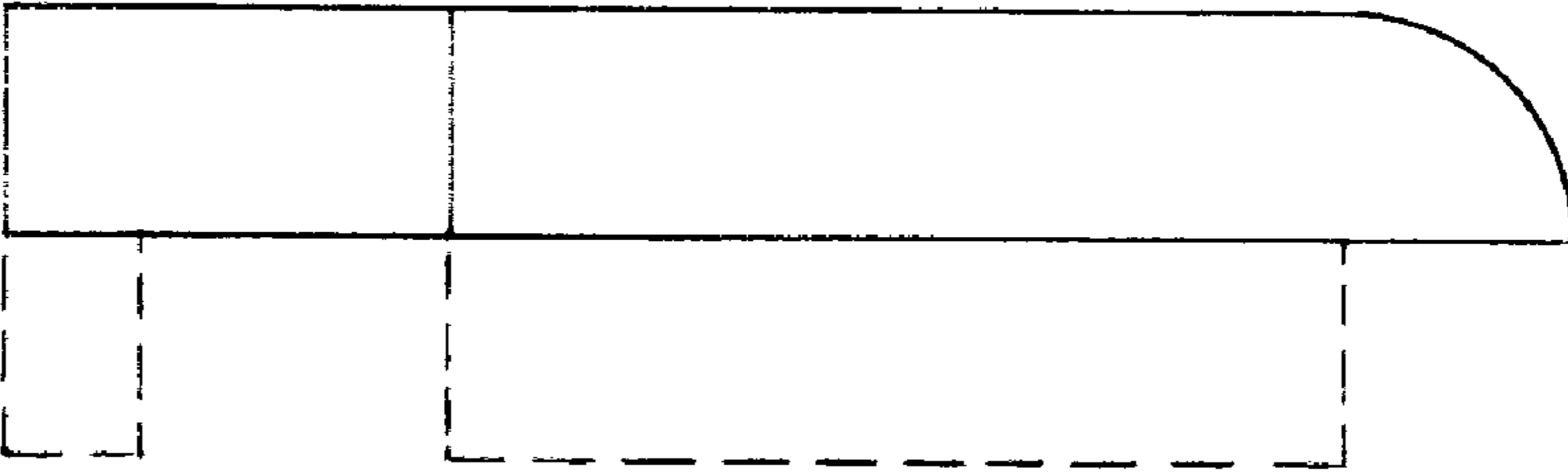


FIG 2

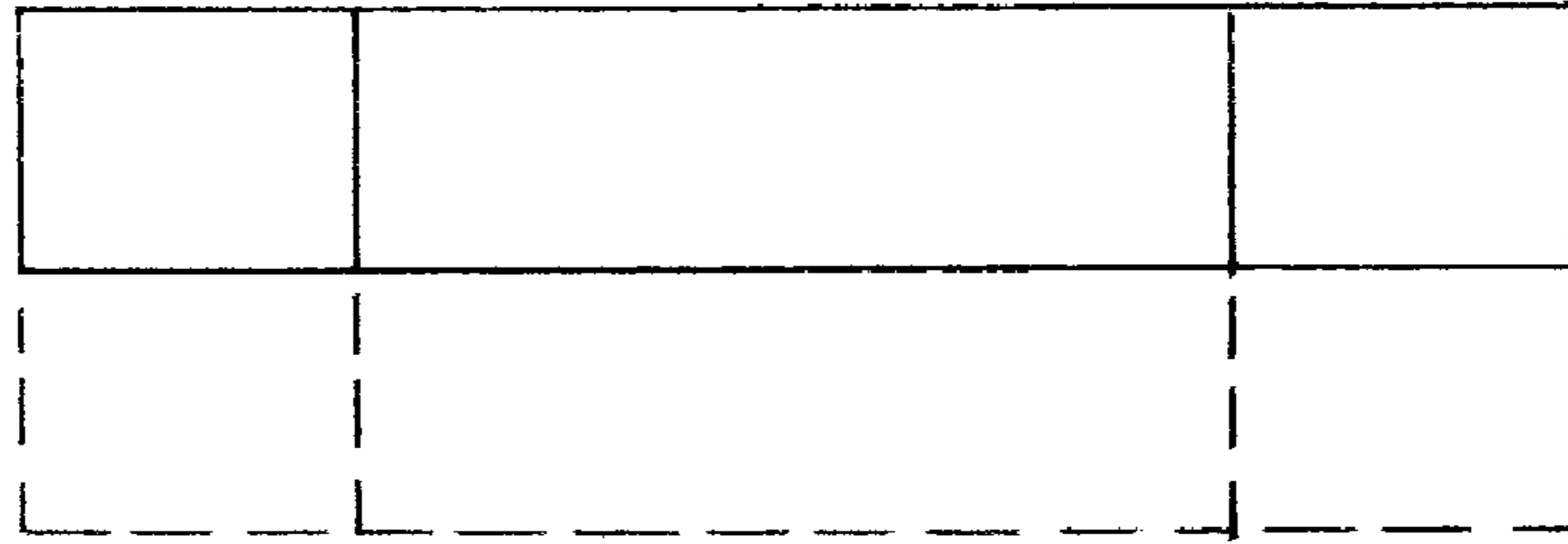


FIG. 3

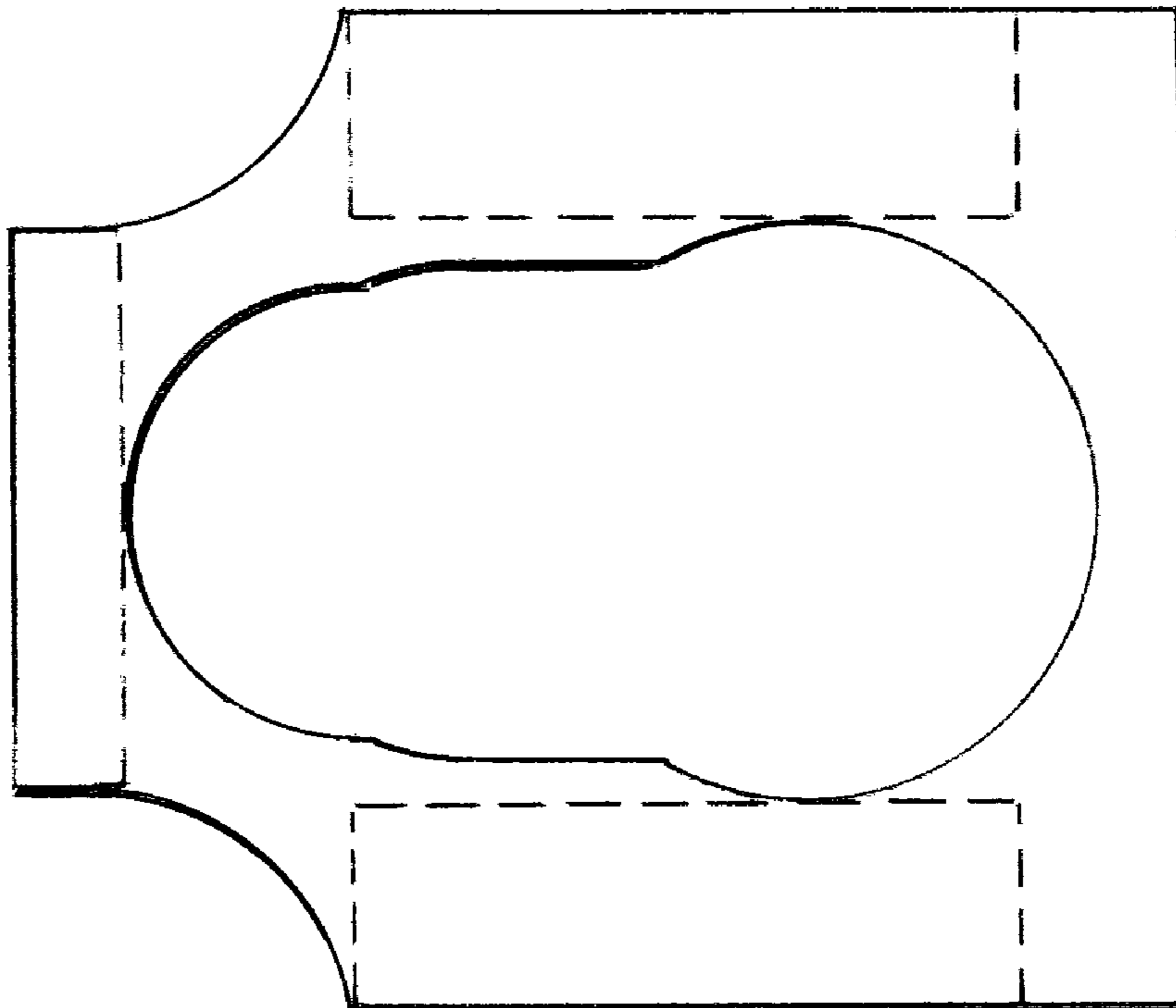


FIG. 4

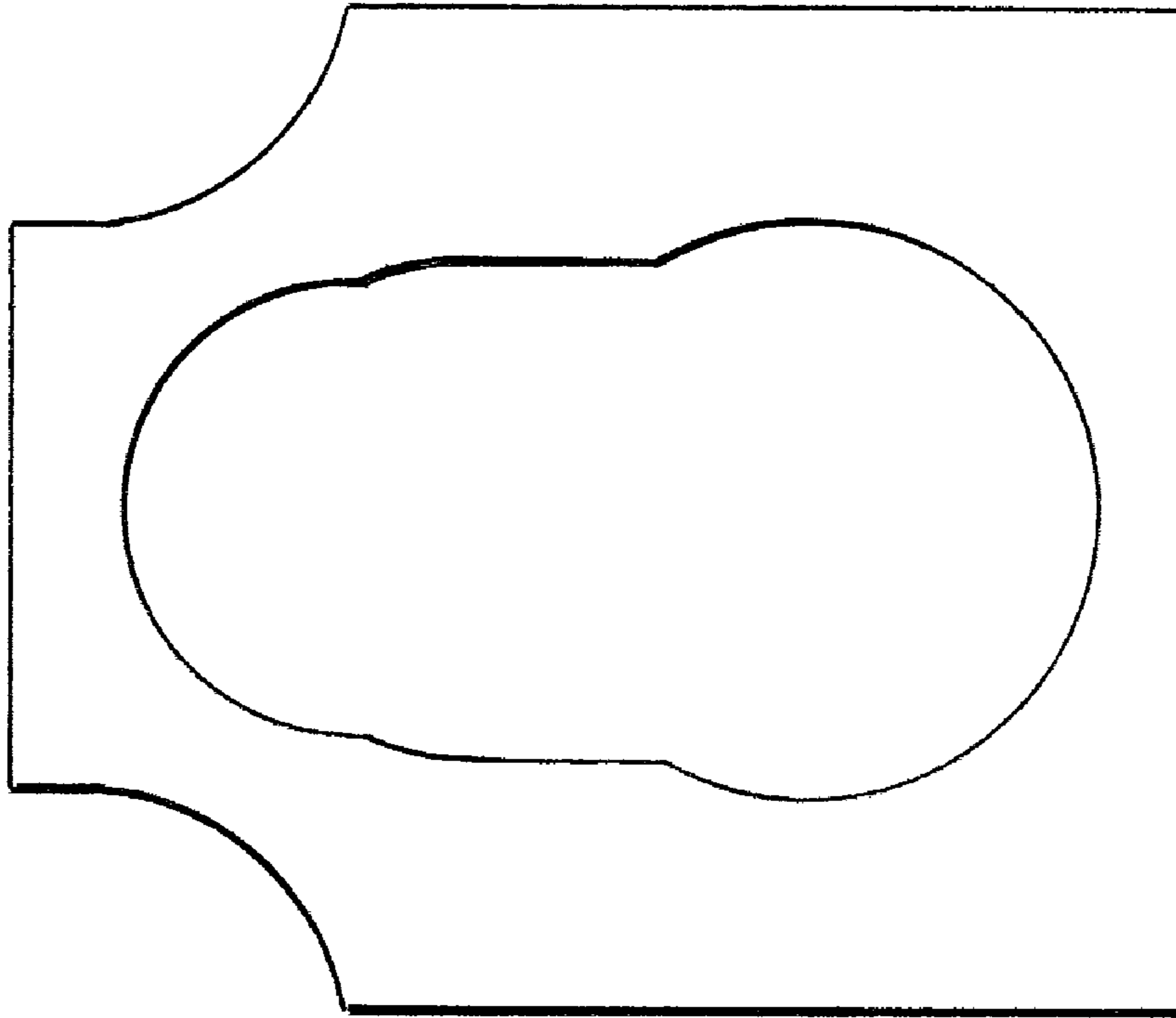


FIG. 5

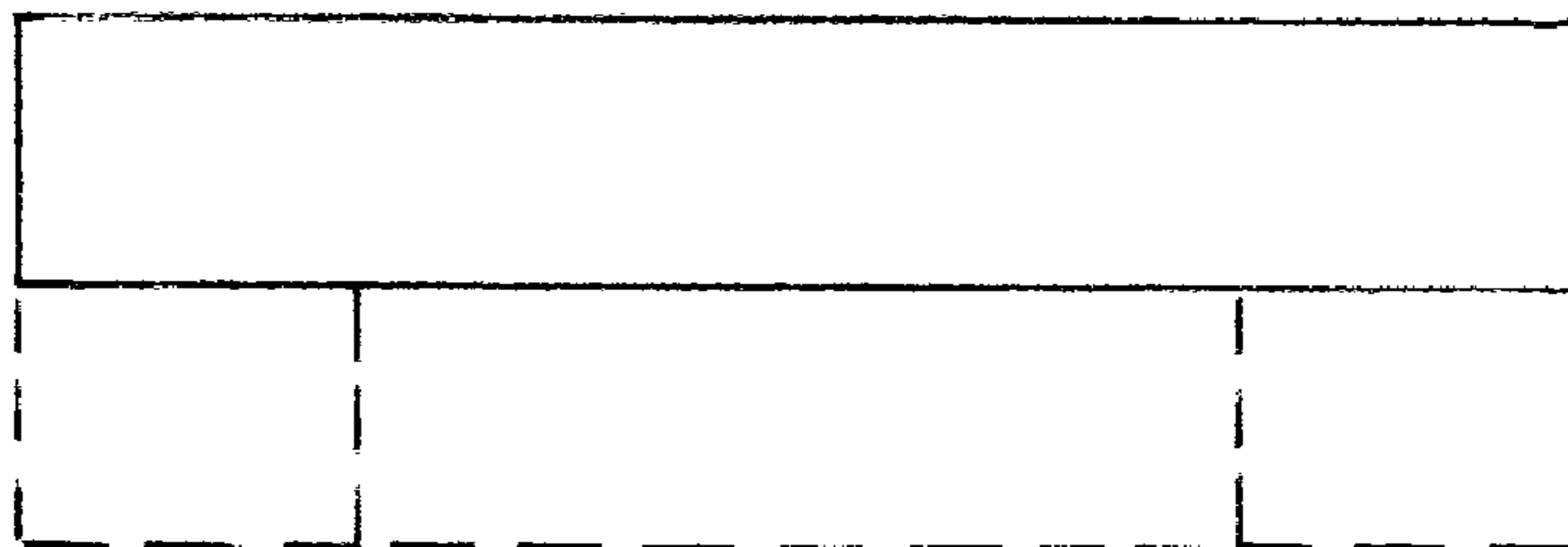


FIG. 6