



US00D600058S

(12) **United States Design Patent**
Sudano

(10) **Patent No.:** **US D600,058 S**

(45) **Date of Patent:** **** Sep. 15, 2009**

(54) **VALANCE CLIP**

(75) Inventor: **Angelo Sudano**, Boisbriand (CA)

(73) Assignee: **Plastibec Inc.**, Boisbriand, Quebec (CA)

(**) Term: **14 Years**

(21) Appl. No.: **29/324,911**

(22) Filed: **Sep. 23, 2008**

4,254,813 A	3/1981	Vecchiarelli	
4,254,814 A	3/1981	Vecchiarelli	
D265,625 S *	8/1982	Buck	D8/354
4,354,300 A *	10/1982	Anderle	24/343
4,384,605 A	5/1983	Schaffer et al.	

(Continued)

Primary Examiner—Holly H Baynham

Assistant Examiner—Cynthia M Chin

(74) *Attorney, Agent, or Firm*—Merchant & Gould P.C.

Related U.S. Application Data

(62) Division of application No. 29/227,131, filed on Apr. 7, 2005, now abandoned.

(51) **LOC (9) Cl.** **06-10**

(52) **U.S. Cl.** **D6/580**

(58) **Field of Classification Search** D6/575,
D6/579–580; D8/349, 354, 363, 373, 382;
248/251, 229.16, 262, 263; 160/38, 89, 170.1 R,
160/178.1 V

See application file for complete search history.

(56) **References Cited**

U.S. PATENT DOCUMENTS

657,538 A	9/1900	Helstrom
1,009,359 A	11/1911	Walter
1,492,200 A	4/1924	Burns
1,781,262 A	11/1930	Wintrob
2,329,546 A	9/1943	Lee
2,597,578 A	5/1952	Ganter
2,604,155 A	7/1952	Junkunc et al.
2,986,627 A	5/1961	Marriett
3,297,075 A	1/1967	Howel et al.
3,469,619 A	9/1969	Barnett
3,614,045 A	10/1971	Ceglowski
3,818,543 A	6/1974	Baker
3,965,540 A	6/1976	Moore
4,079,770 A	3/1978	Woodle
4,114,233 A	9/1978	Hamilton
4,228,980 A	10/1980	Beauchamp et al.

(57) **CLAIM**

The ornamental design for the valance clip, as shown.

DESCRIPTION

FIG. 1 is a front perspective view of a first embodiment of the valance clip;

FIG. 2 is a right side view of the embodiment of the valance clip shown in FIG. 1, with two valances installed shown in broken lines;

FIG. 3 is a front perspective view of second embodiment of the valance clip;

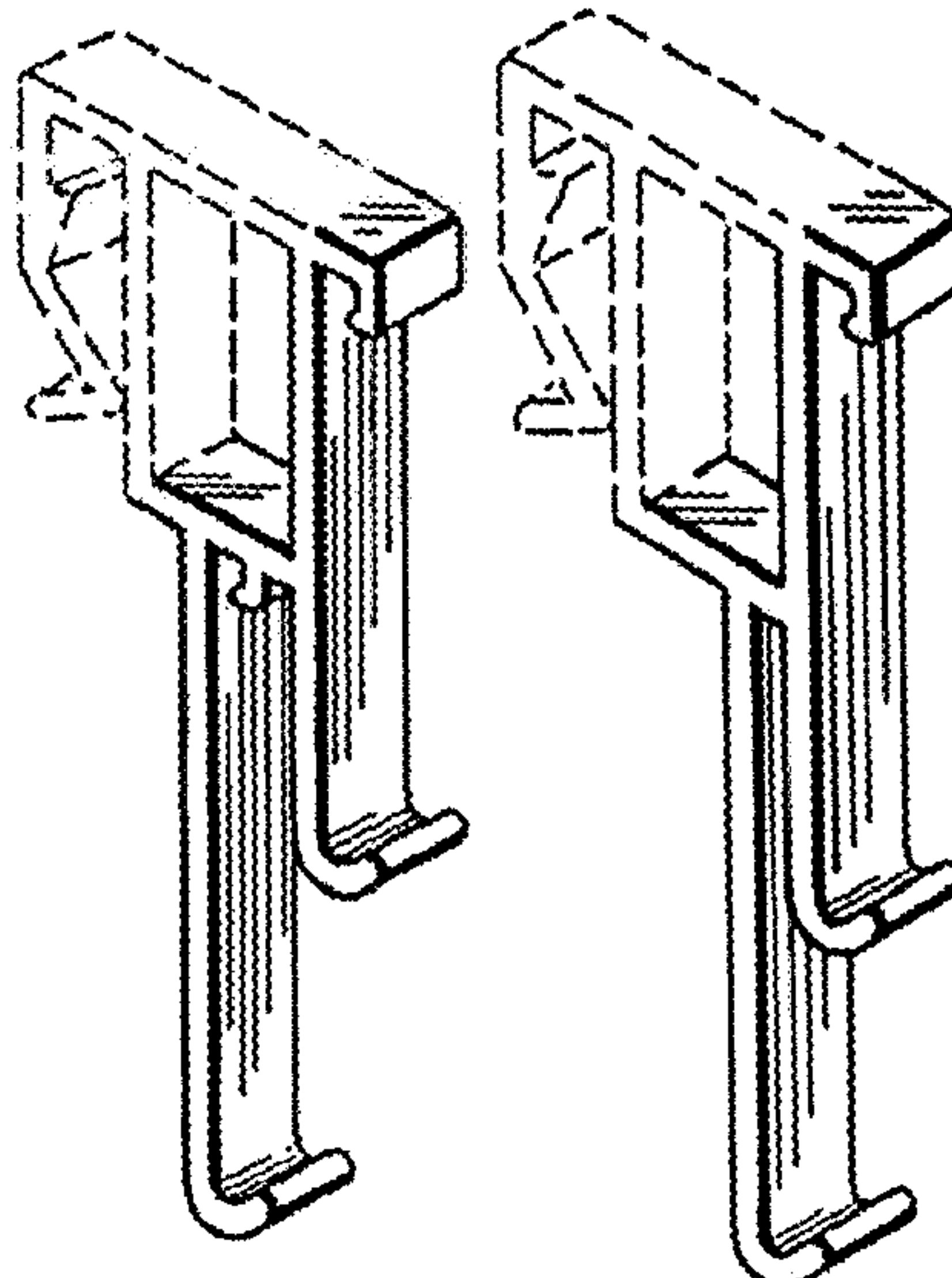
FIG. 4 is a right side view of the embodiment of the valance clip shown in FIG. 3, with two valances installed shown in broken lines;

FIG. 5 is an environmental perspective view showing the top, front, and right sides of the valance clip according to the embodiment shown in FIG. 1, with a second valance clip and two valances installed shown in broken lines; and,

FIG. 6 is a perspective view showing the top, front, and right sides of the valance clip according to the embodiment shown in FIG. 1, with a second valance clip and two valances installed shown in broken lines.

The broken lines represent portions of the design that form no part of the claim.

1 Claim, 3 Drawing Sheets



US D600,058 S

Page 2

U.S. PATENT DOCUMENTS					
4,662,421	A	5/1987 Basmadji et al.	5,598,880	A	2/1997 Cross
4,840,216	A	6/1989 John et al.	5,765,620	A	6/1998 Coleman
4,921,031	A	5/1990 Wagner	5,803,144	A	9/1998 Ives
D312,042	S *	11/1990 John D8/373	RE36,195	E	4/1999 Coleman
D312,206	S *	11/1990 John D8/373	5,896,909	A	4/1999 Sartini
5,012,850	A	5/1991 Schrader	D418,401	S *	1/2000 Anderson D8/395
5,042,548	A	8/1991 Attal	D418,744	S *	1/2000 Anderson D8/395
5,054,535	A	10/1991 Rozon	D443,788	S	6/2001 Horsten
5,180,130	A	1/1993 McMichael	6,382,296	B1	5/2002 Judkins
5,188,162	A	2/1993 Simon	D471,787	S *	3/2003 Gebrara D8/354
5,230,493	A *	7/1993 Luoto 248/251	D471,788	S *	3/2003 Gebara D8/354
D345,498	S	3/1994 Fraser	D473,127	S	4/2003 Yoko
5,353,857	A	10/1994 Anderson	6,601,809	B1	8/2003 Gebrara
D368,851	S	4/1996 Cole	D482,223	S *	11/2003 Bibby et al. D6/580
5,520,235	A	5/1996 Coleman	6,659,154	B2	12/2003 Bergeron
5,533,560	A *	7/1996 Morris 160/178.1 R	D487,868	S	3/2004 Richard
			2005/0150614	A1	7/2005 Nien et al.

* cited by examiner

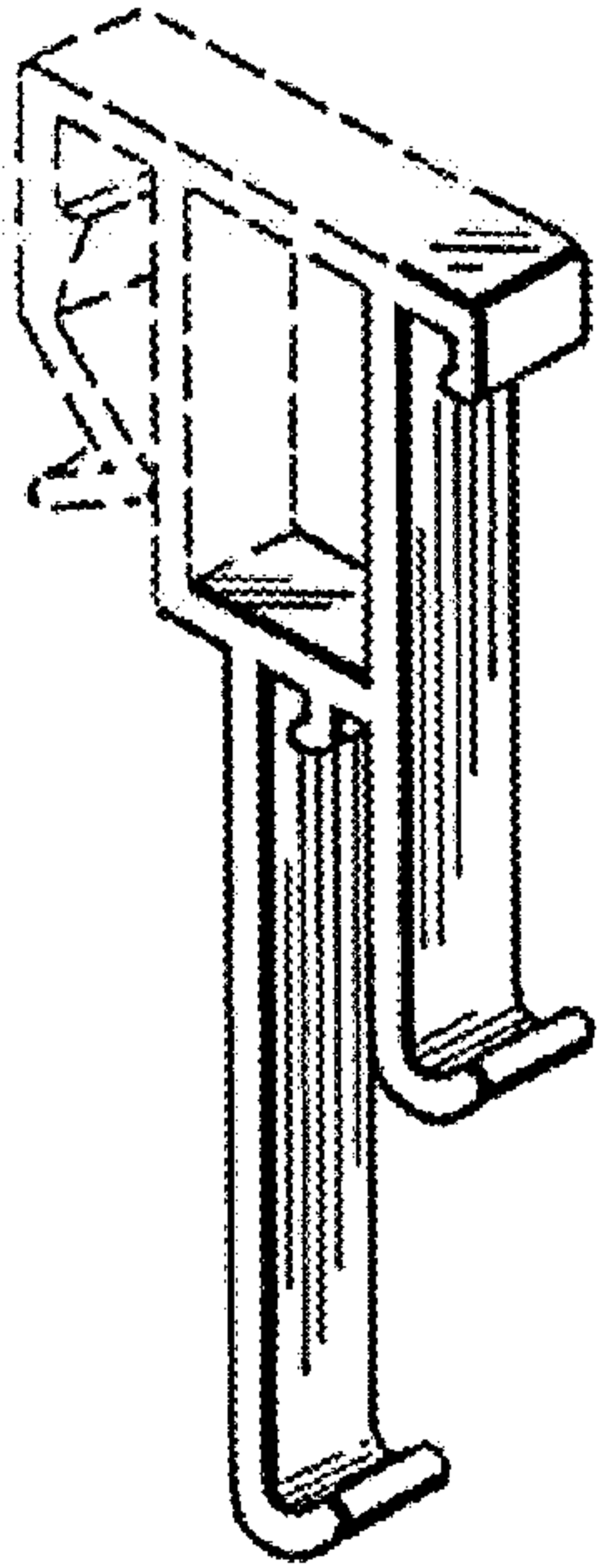


FIG. 1

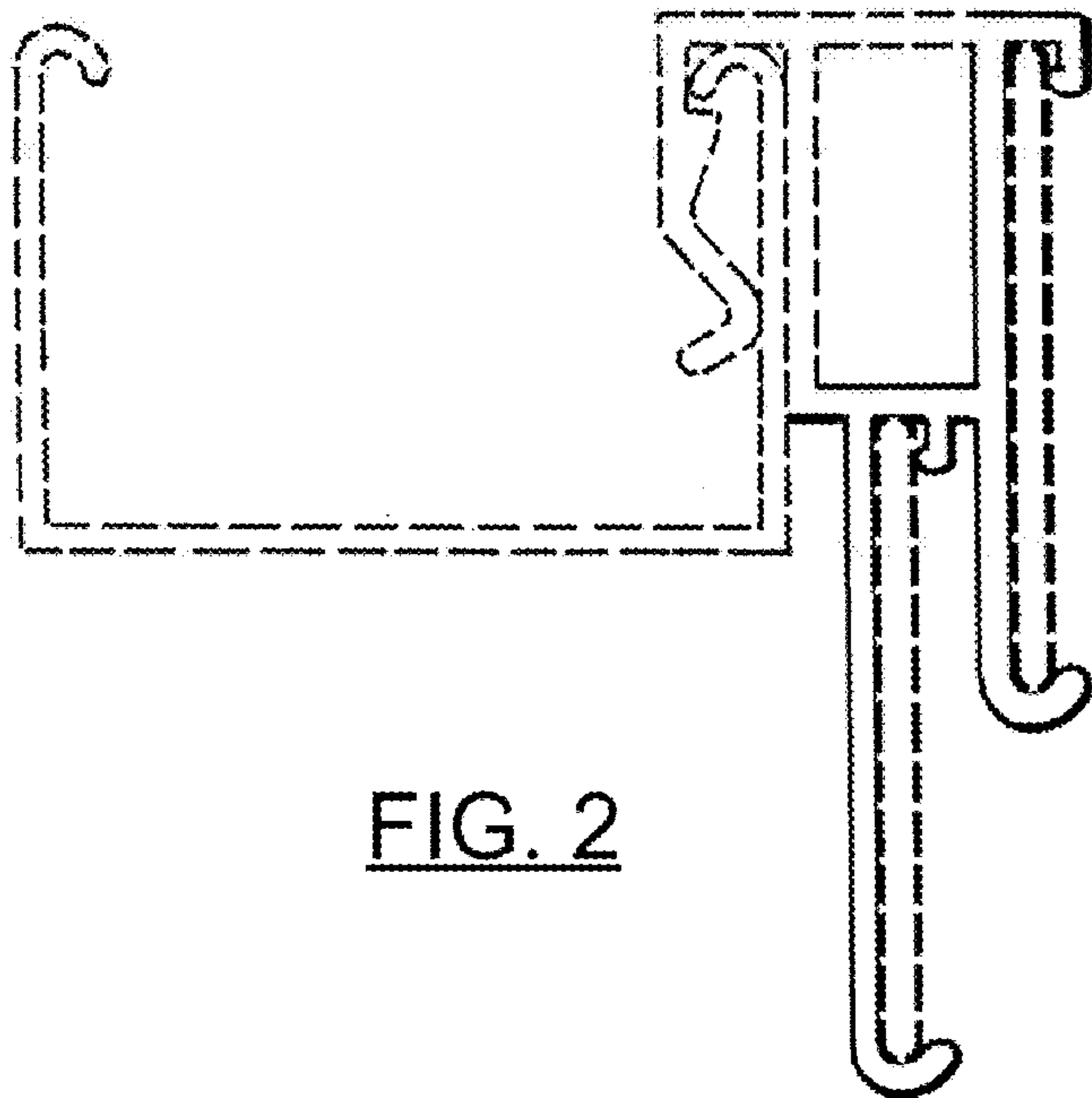


FIG. 2

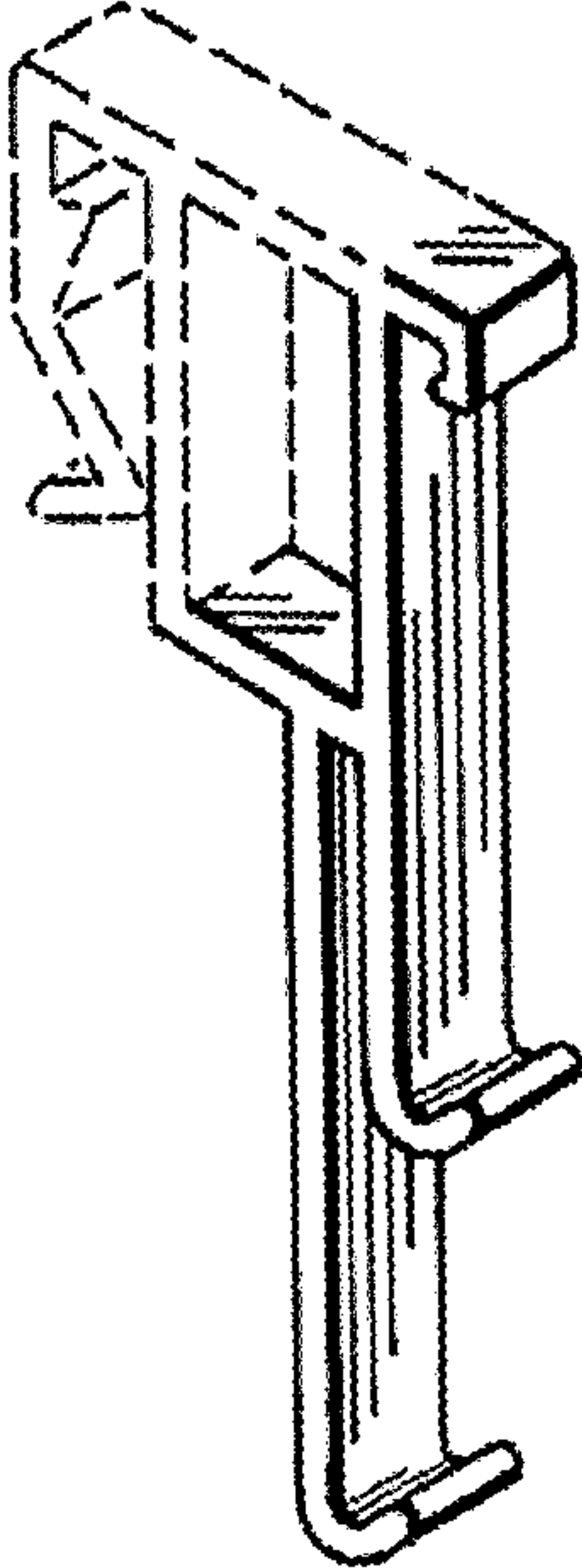


FIG. 3

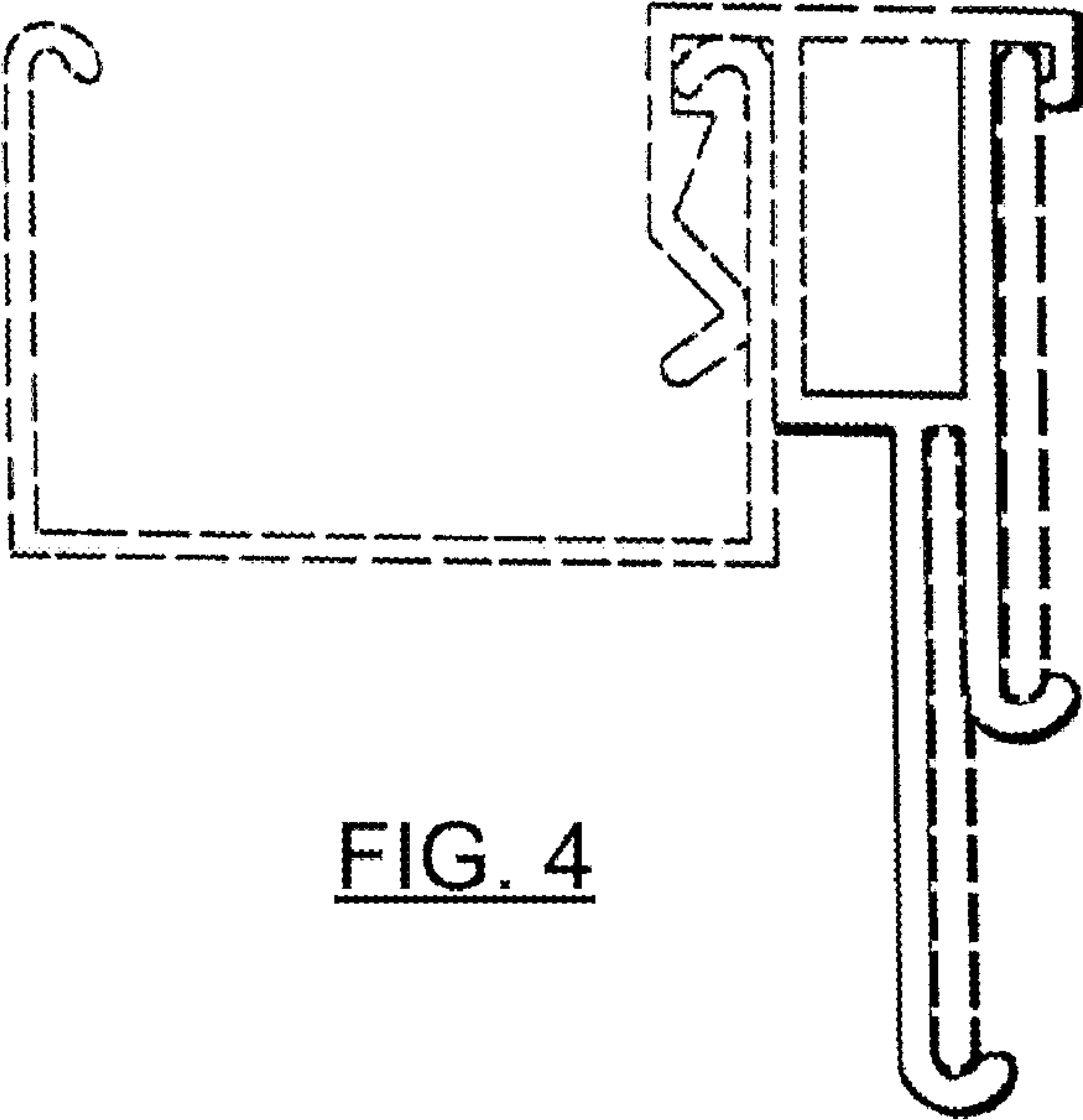


FIG. 4

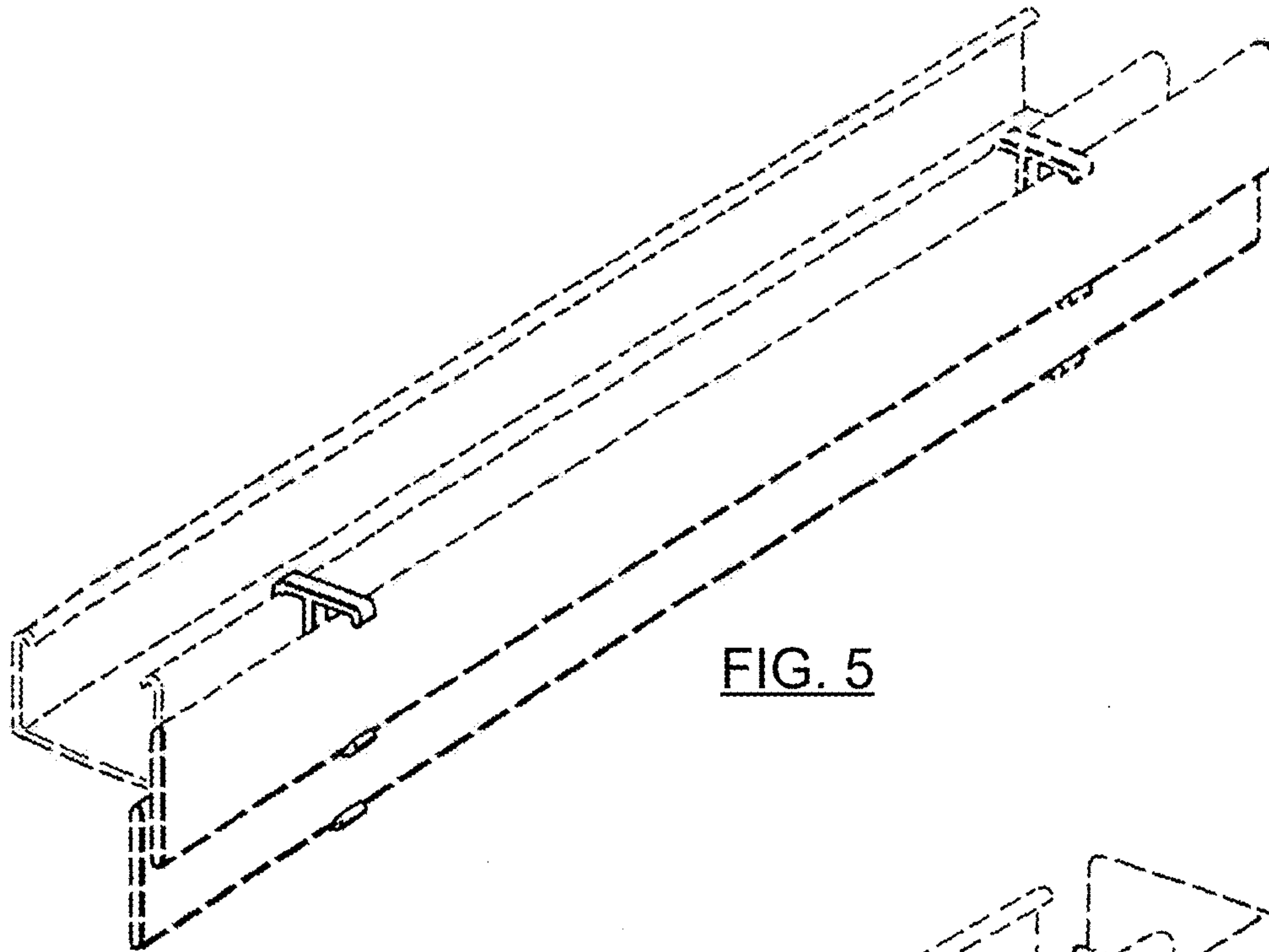


FIG. 5

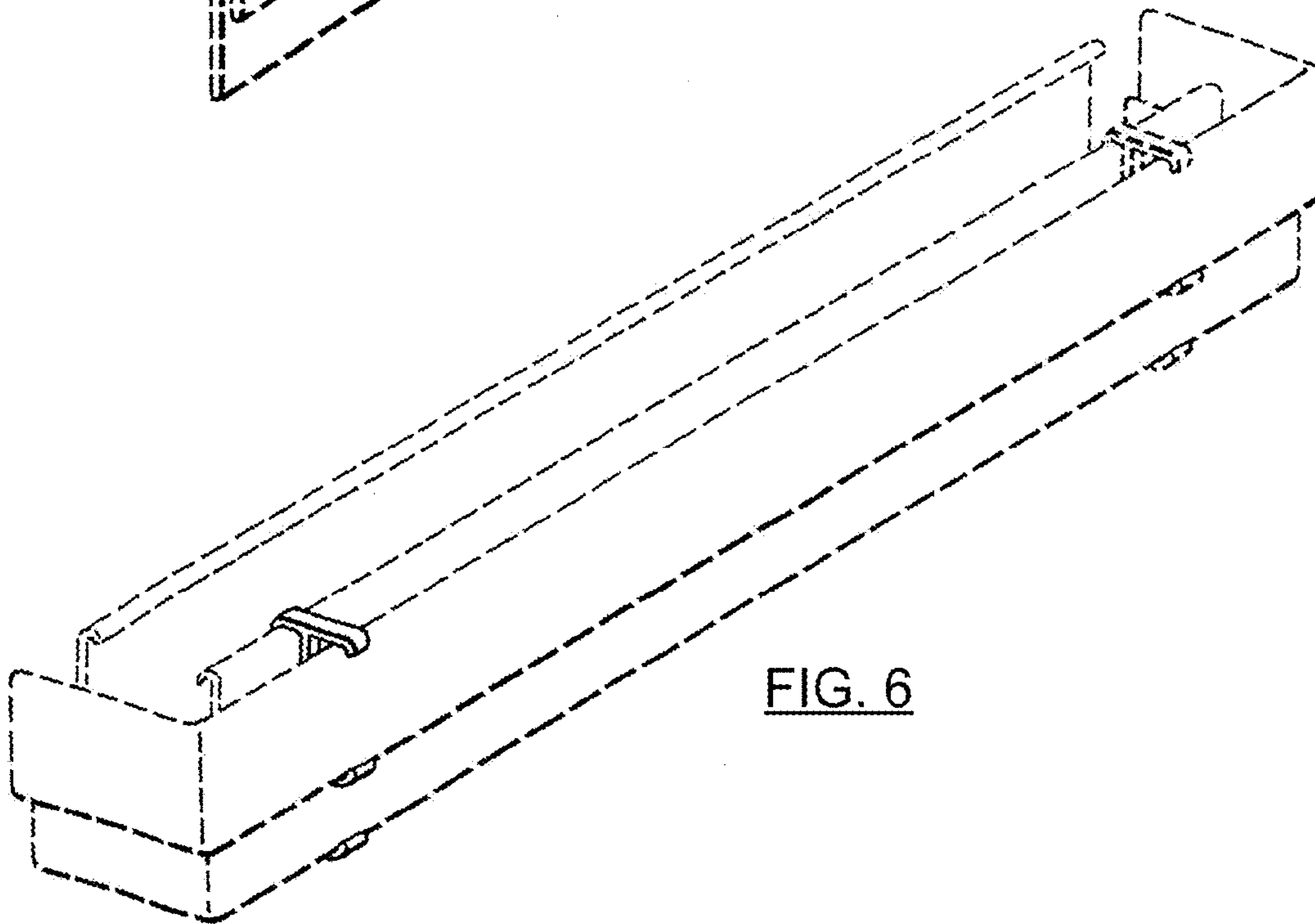


FIG. 6