



US00D600055S

(12) **United States Design Patent**
Hanes

(10) **Patent No.:** **US D600,055 S**

(45) **Date of Patent:** **** Sep. 15, 2009**

(54) **PAPER HOLDER**

(76) Inventor: **Wendy Hanes**, 711 Palmetto Rd.,
Benton, LA (US) 71006

(**) Term: **14 Years**

(21) Appl. No.: **29/313,683**

(22) Filed: **Feb. 2, 2009**

(51) **LOC (9) Cl.** **23-02**

(52) **U.S. Cl.** **D6/523**

(58) **Field of Classification Search** D6/518-524,
D6/546-550; D8/300, 370, 315; 108/28-29;
211/13.1, 16, 85.5, 86.01, 87.01, 88.04, 100,
211/105.1, 105.2, 106, 113, 123, 181.1, 182-183;
248/49, 175, 176.1, 200, 201, 205.1, 251,
248/302, 309.1, 315; 242/570, 590, 595-598
See application file for complete search history.

(56) **References Cited**

U.S. PATENT DOCUMENTS

D334,315 S *	3/1993	Bengtson	D6/524
D427,471 S *	7/2000	Chen	D6/549
D492,530 S *	7/2004	Chen	D6/549
D540,597 S *	4/2007	Hoernig	D6/549
D580,202 S *	11/2008	Dolan	D6/549

OTHER PUBLICATIONS

Paul Associates Catalogue (1985) Towel Bar 3321.*

* cited by examiner

Primary Examiner—Brian N Vinson

(74) *Attorney, Agent, or Firm*—Schultz & Associates, P.C.

(57) **CLAIM**

The ornamental design for a paper holder, as shown and described.

DESCRIPTION

FIG. 1 is an isometric view of the paper holder in accordance with the present invention; and,

FIG. 2 is a lateral side elevation view of the paper holder in accordance with the present invention.

FIG. 3 is a top view of the paper holder in accordance with the present invention.

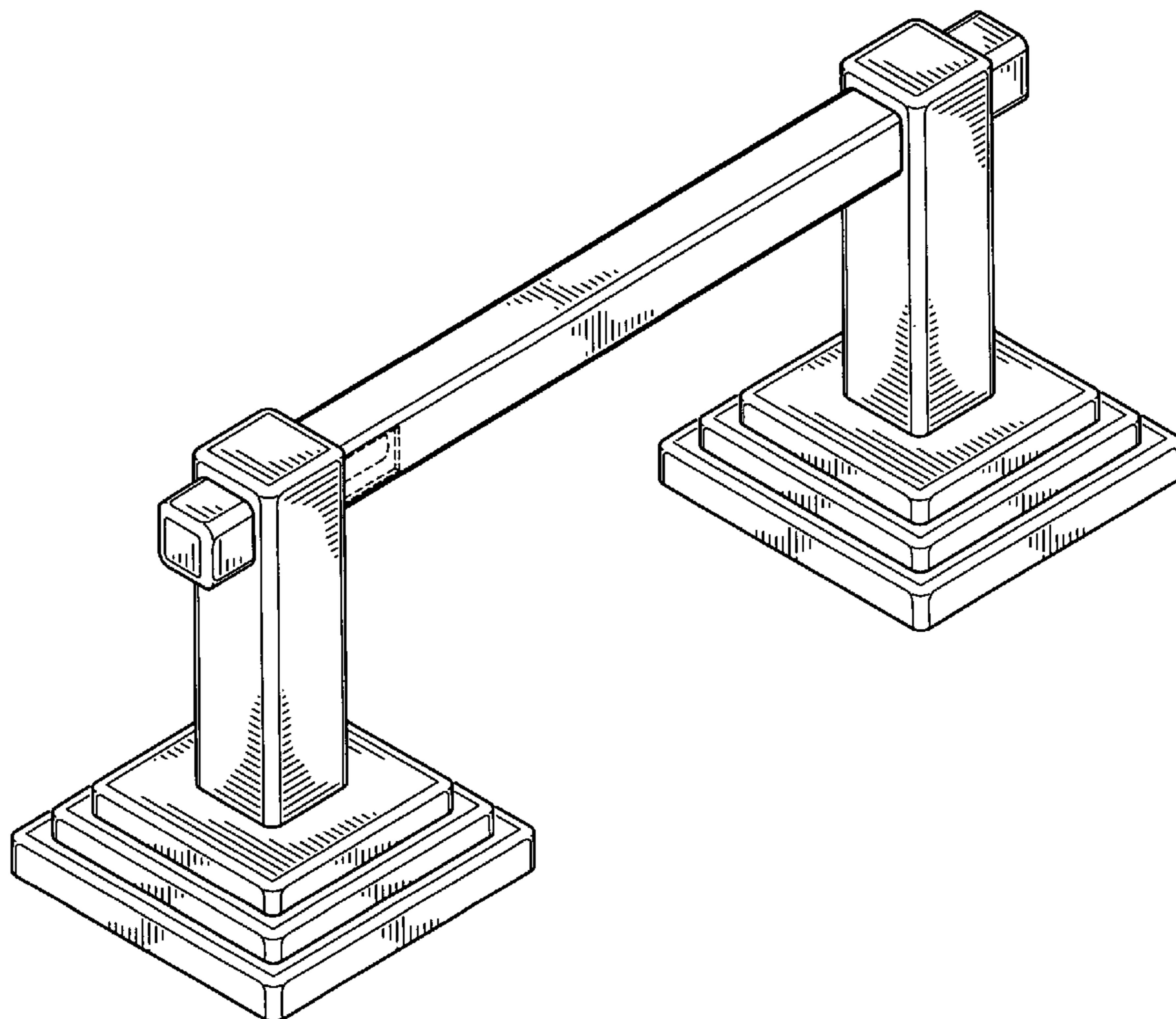
FIG. 4 is a longitudinal side elevation view of the paper holder in accordance with the present invention.

FIG. 5 is a longitudinal side elevation view of the paper holder in accordance with the present invention; and,

FIG. 6 is a bottom view of the paper holder in accordance with the present invention.

The broken-line disclosure of a portion of the article in which the claimed design is embodied is understood to form no part of the claimed design.

1 Claim, 3 Drawing Sheets



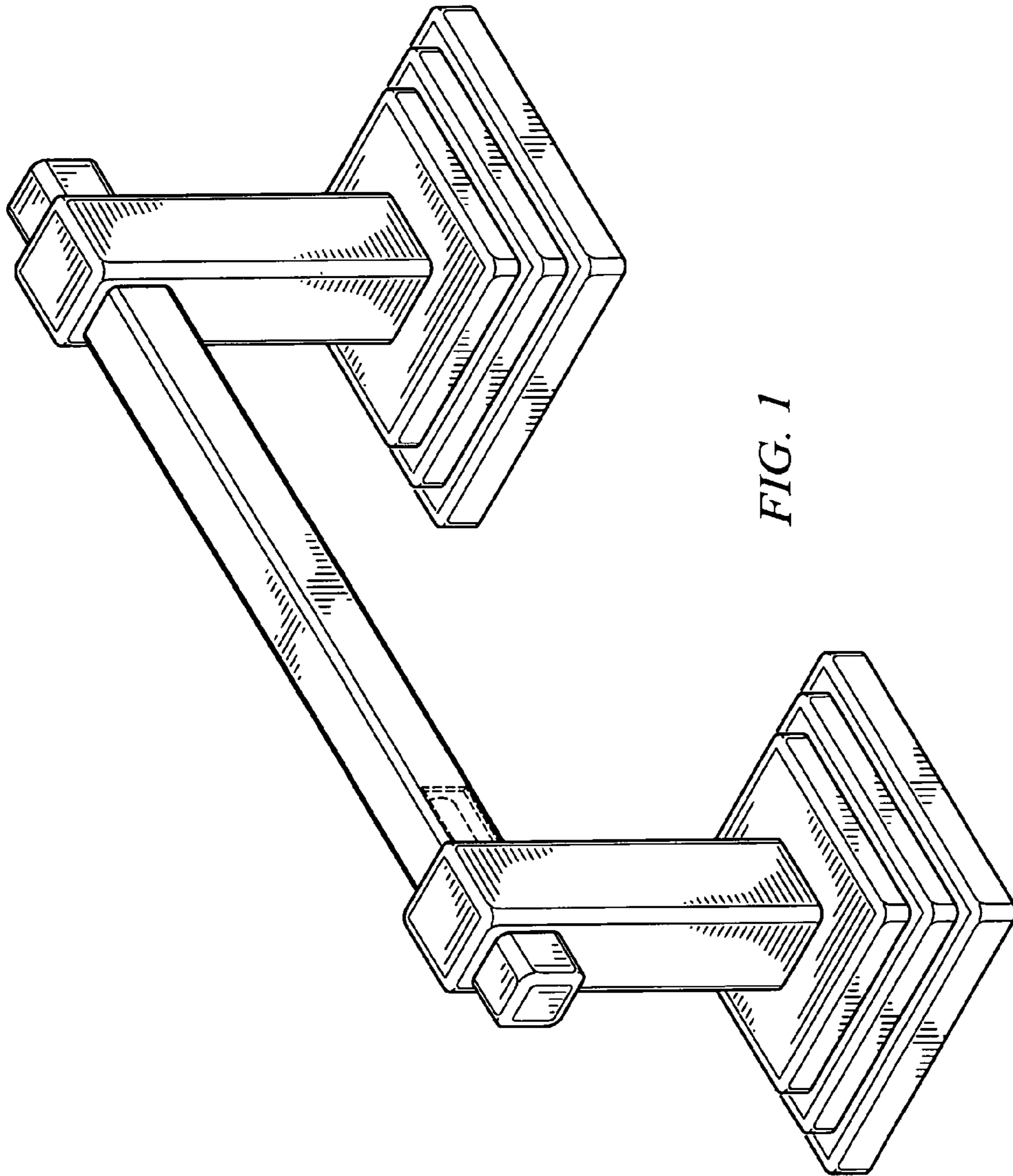


FIG. 1

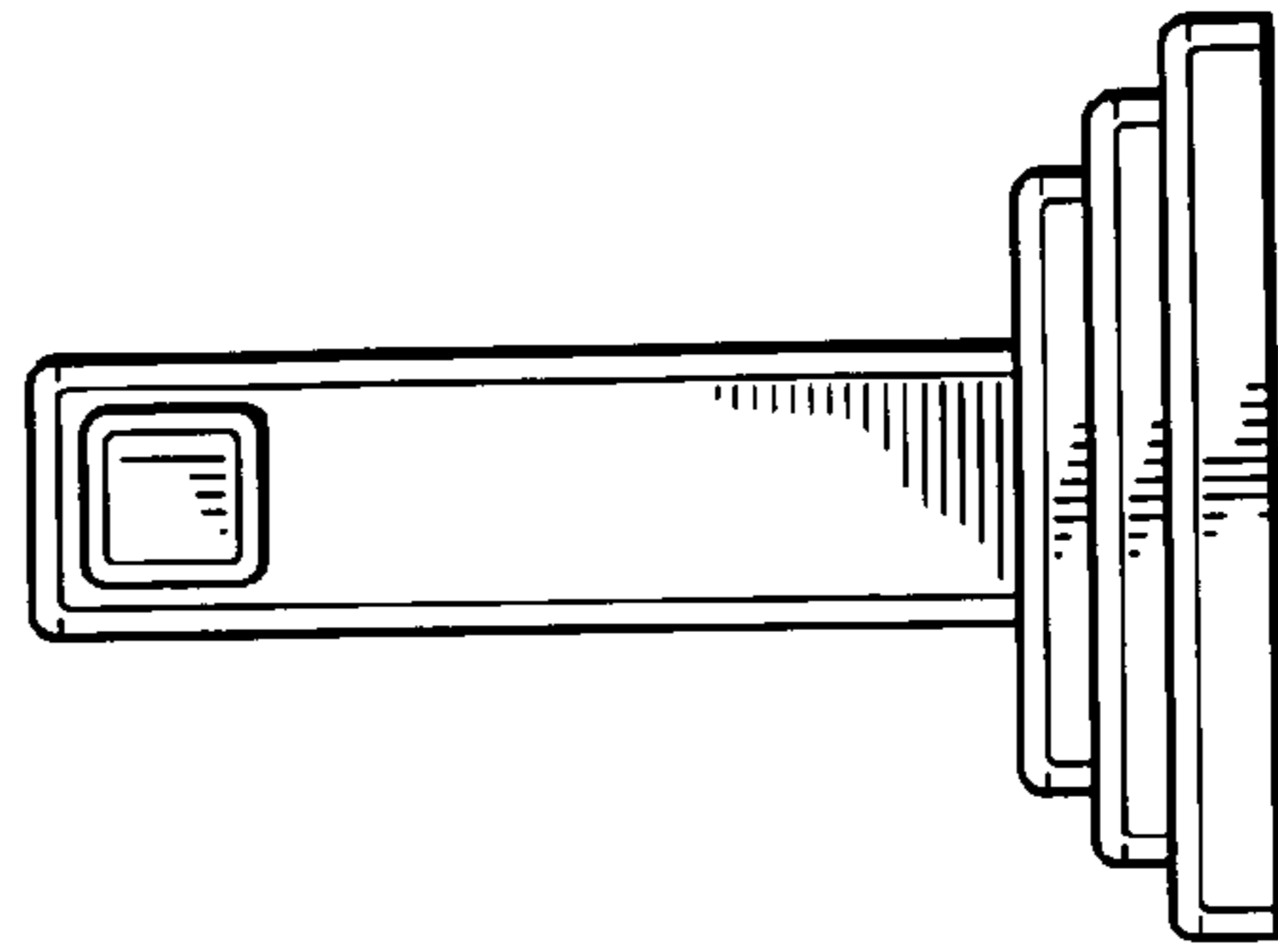


FIG. 2

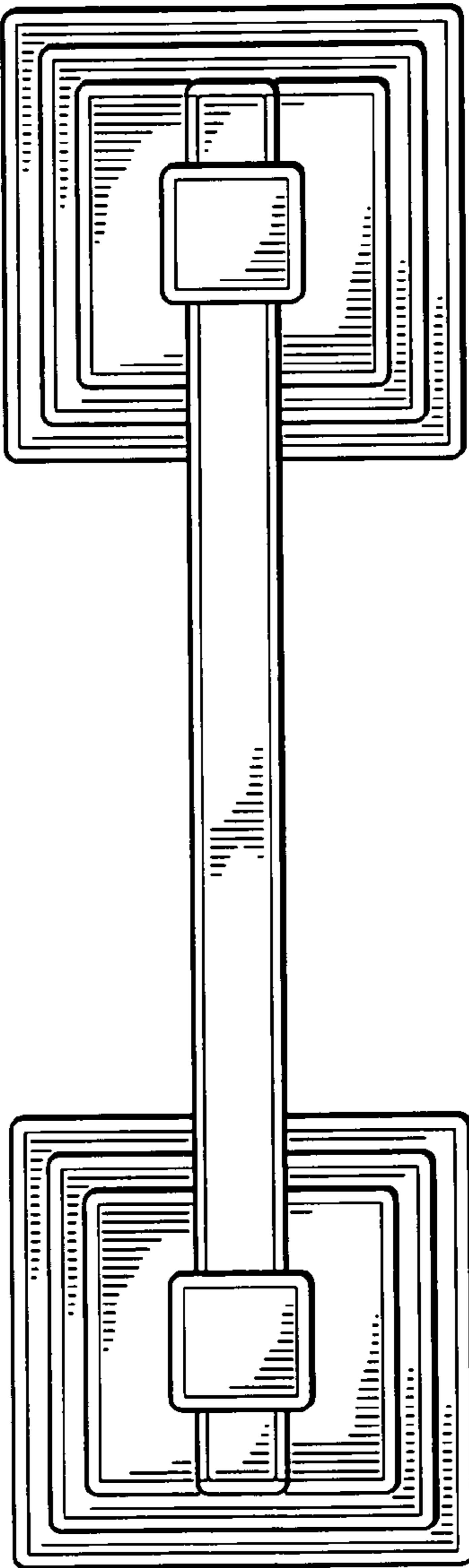


FIG. 3

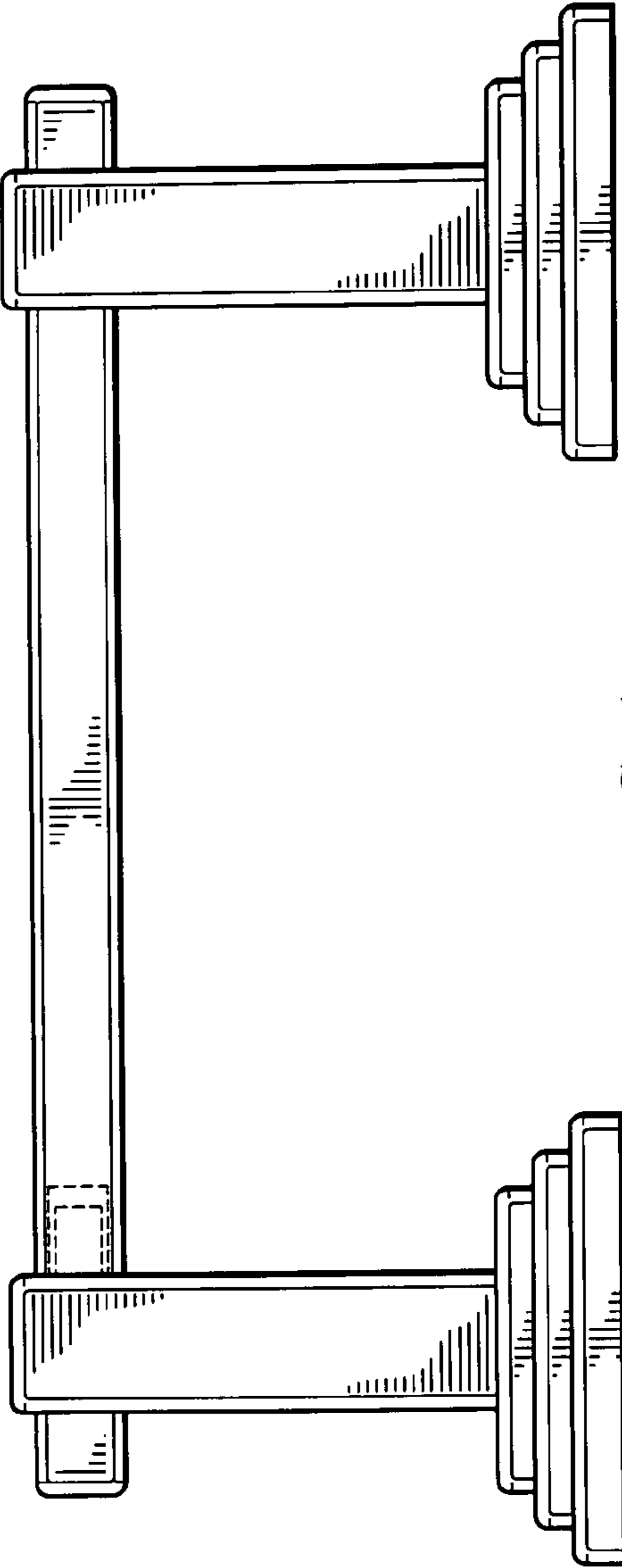


FIG. 4

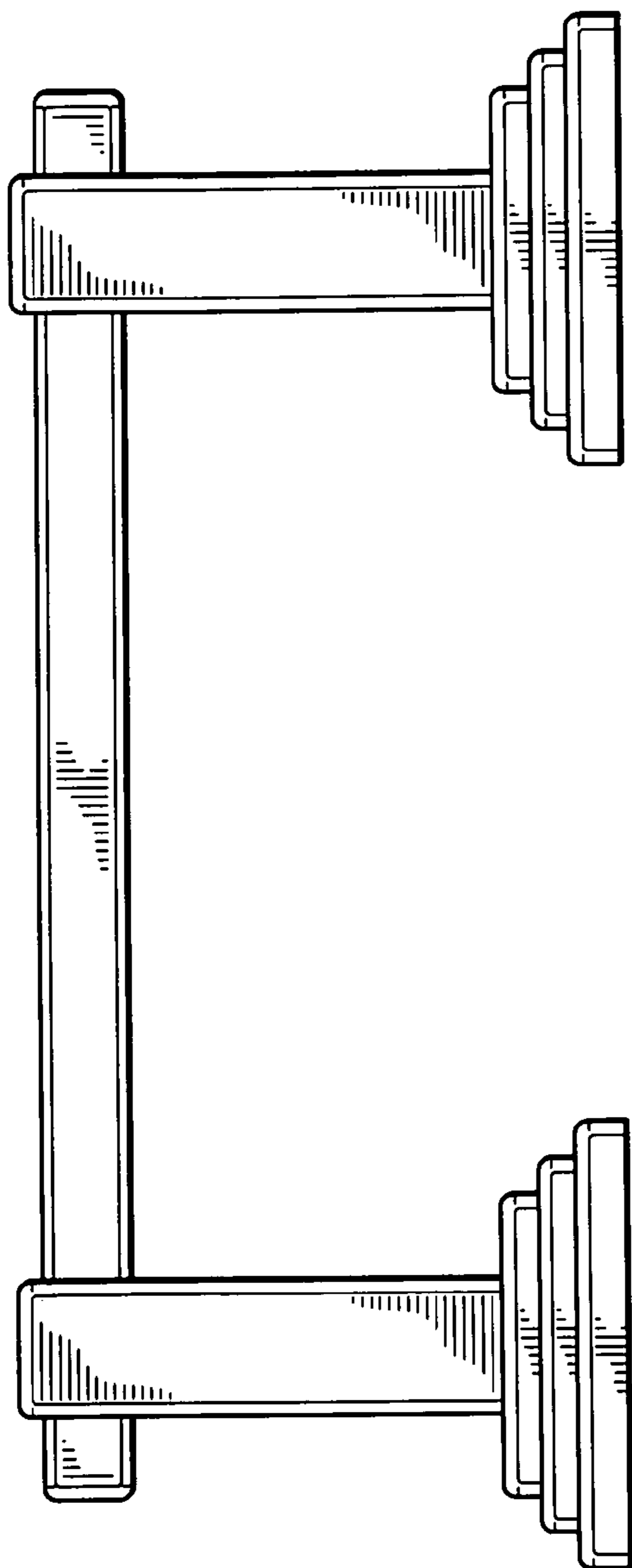


FIG. 5

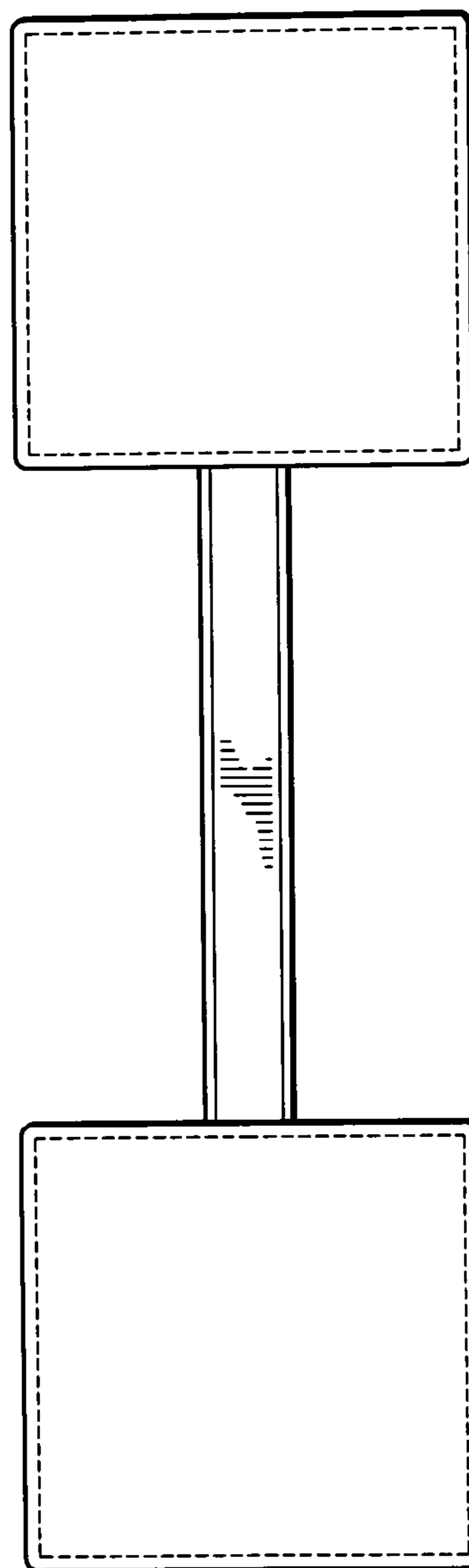


FIG. 6