



US00D600052S

(12) **United States Design Patent**
Smith et al.

(10) **Patent No.:** **US D600,052 S**
(45) **Date of Patent:** **** Sep. 15, 2009**

(54) **BACK FOR SEATING UNIT**

(75) Inventors: **Bruce M. Smith**, Grand Rapids, MI (US); **James N. Ludwig**, Grand Rapids, MI (US); **Terence Sean Yoo**, Grand Rapids, MI (US)

(73) Assignee: **Steelcase Development Corporation**, Caledonia, MI (US)

(**) Term: **14 Years**

(21) Appl. No.: **29/335,017**

(22) Filed: **Apr. 7, 2009**

Related U.S. Application Data

(62) Division of application No. 29/304,895, filed on Mar. 10, 2008, now Pat. No. Des. 592,876, which is a division of application No. 29/258,877, filed on Apr. 28, 2006, now Pat. No. Des. 564,264.

(51) **LOC (9) Cl.** **06-01**

(52) **U.S. Cl.** **D6/502**

(58) **Field of Classification Search** D6/334-336, D6/360, 366, 367, 371-373, 374, 375, 376, D6/379, 380, 500-502; 297/232, 239, 411.2, 297/411.25, 411.29, 445.1, 446.1

See application file for complete search history.

(56) **References Cited**

U.S. PATENT DOCUMENTS

426,048 A	4/1890	Neill
1,205,541 A	11/1916	Hoehn
1,399,183 A	12/1921	Bicker
1,531,916 A	3/1925	Flintjer
1,674,220 A	6/1928	Percival
1,928,857 A	10/1933	Kelly
2,149,665 A	3/1939	Box
2,253,825 A	8/1941	Tully
2,276,308 A	3/1942	Hugh
2,281,902 A	5/1942	Witz
2,306,878 A	12/1942	Greitzer

2,318,776 A	5/1943	Haug
2,440,470 A	4/1948	Greitzer
2,460,027 A	1/1949	Nash
2,467,664 A	4/1949	Glenn
2,525,126 A	10/1950	Greitzer
2,575,221 A	11/1951	Horner et al.

(Continued)

FOREIGN PATENT DOCUMENTS

GB 2072004 9/1981

(Continued)

Primary Examiner—Mimosa De

(74) *Attorney, Agent, or Firm*—Price, Heneveld, Cooper, Dewitt & Litton LLP

(57) **CLAIM**

We claim the ornamental design for a back for seating unit, as shown and described.

DESCRIPTION

FIG. 1 is a perspective view of a back embodying the present invention.

FIG. 2 is a front view of the back shown in FIG. 1.

FIG. 3 is a left side view of the back arrangement shown in FIG. 1, the right side being a mirror image thereof.

FIGS. 4-6 are rear, top, and bottom views, respectively, of the back arrangement shown in FIG. 1.

FIG. 7 is a perspective view of a second back embodying the present invention.

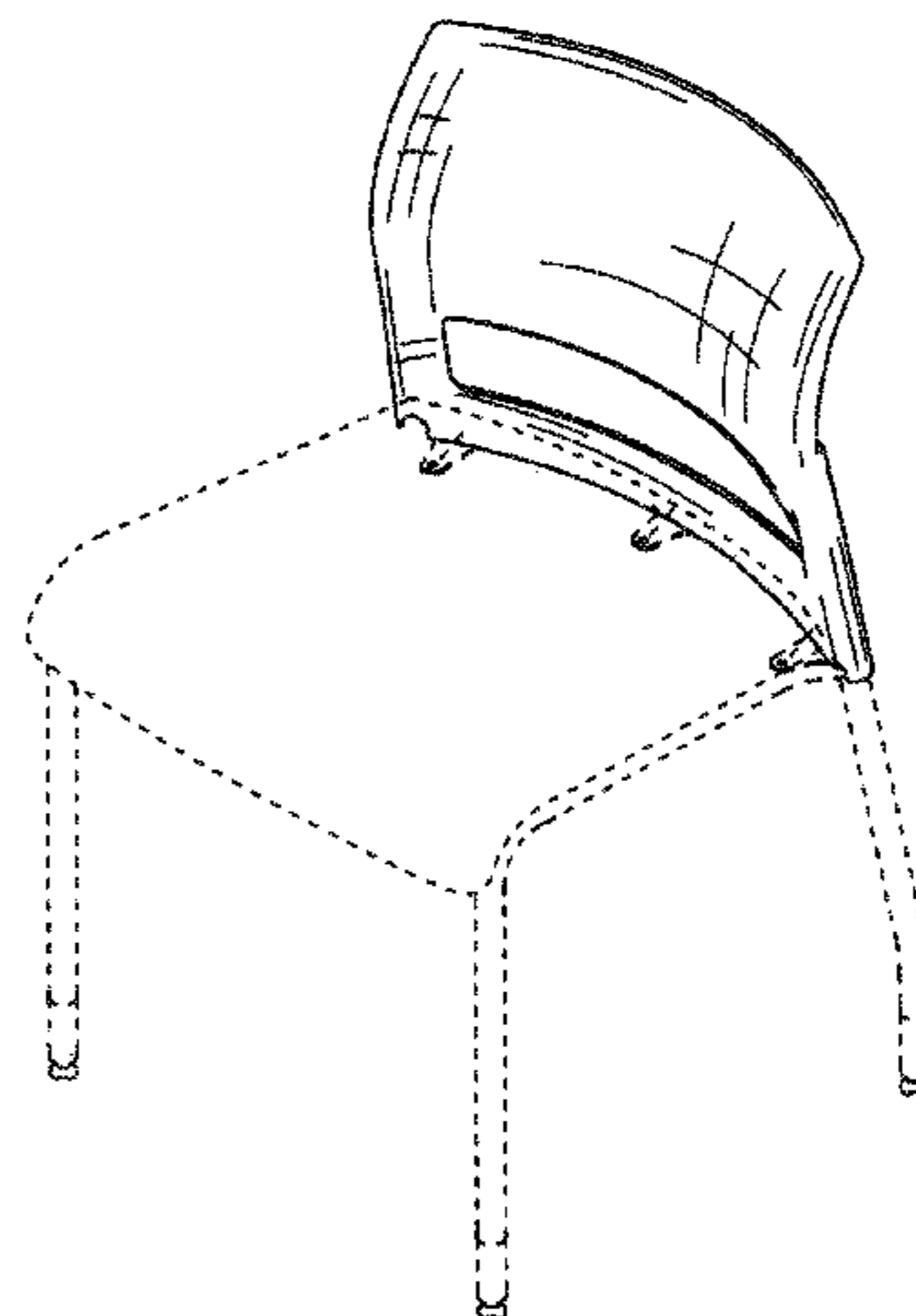
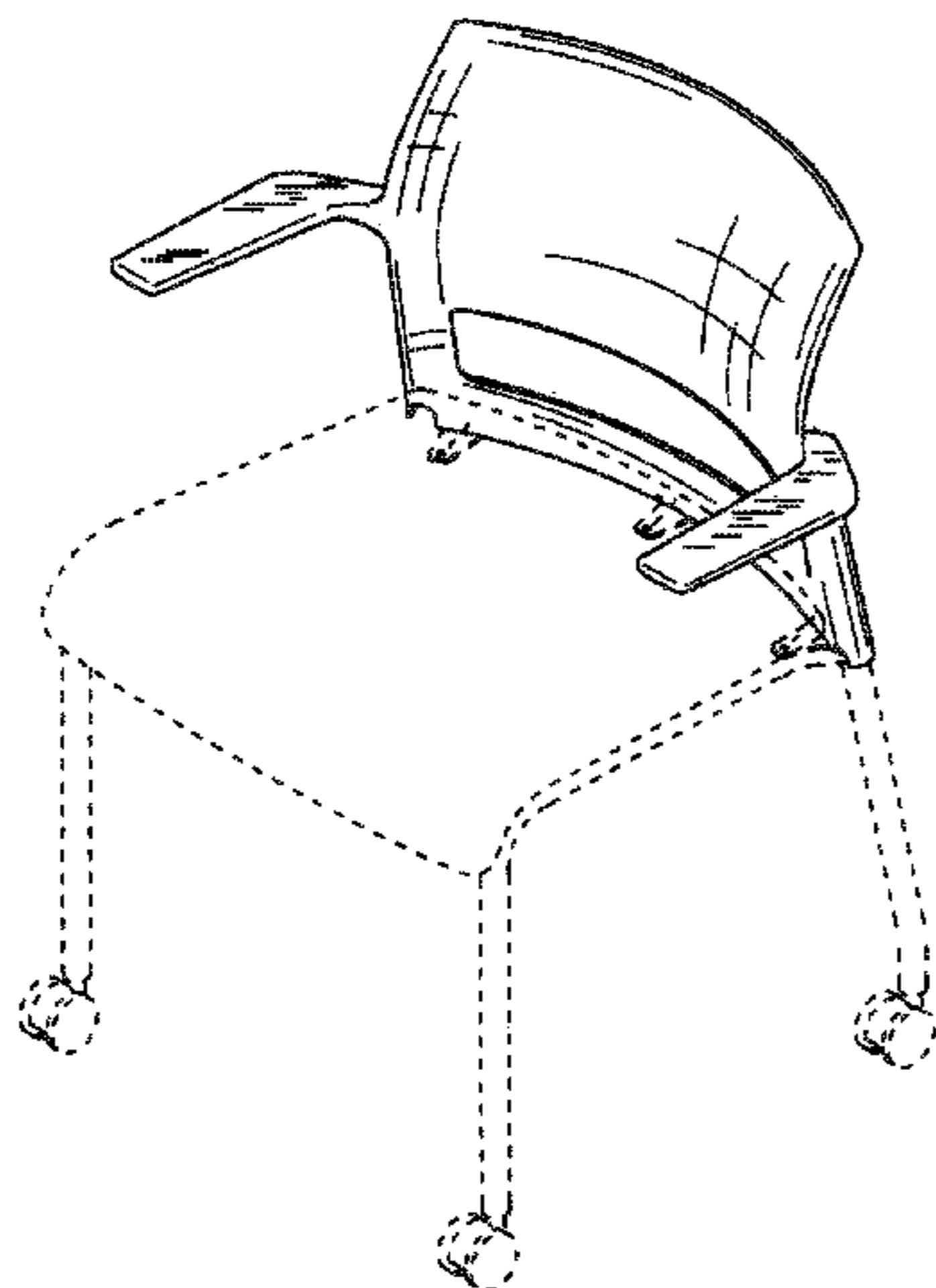
FIG. 8 is a front view of the back shown in FIG. 7.

FIG. 9 is a left side view of the back arrangement shown in FIG. 7, the right side being a mirror image thereof; and,

FIGS. 10-12 are rear, top, and bottom views, respectively, of the back shown in FIG. 7.

The dashed lines in FIGS. 1-12 are to show the environment, but do not form a part of the claimed invention.

1 Claim, 6 Drawing Sheets



US D600,052 S

U.S. PATENT DOCUMENTS					
2,587,822	A	3/1952 Corning	D355,080	S *	2/1995 Lucci et al. D6/372
2,630,857	A	3/1953 Cohen	5,411,316	A	5/1995 Lovgrove et al.
2,668,584	A	2/1954 Greitzer	5,419,617	A	5/1995 Schultz
2,670,226	A	2/1954 Becker	5,429,417	A	7/1995 Kim
2,755,114	A	7/1956 Becker	D367,185	S	2/1996 Olson
2,831,715	A	4/1958 Becker	D373,273	S	9/1996 Zapf
2,847,062	A	8/1958 Henrikson et al.	D378,553	S	3/1997 Newhouse
2,939,733	A	6/1960 Bogar, Jr.	5,609,395	A	3/1997 Burch
2,955,646	A	10/1960 Briggs	5,630,643	A	5/1997 Scholten et al.
3,003,817	A	10/1961 King	5,697,673	A	12/1997 Favaretto
3,028,184	A	4/1962 Knowlton	5,810,438	A	9/1998 Newhouse
3,036,864	A	5/1962 Arai	D405,285	S	2/1999 Balderi et al.
3,058,777	A	10/1962 Froedge	5,895,096	A	4/1999 Massara
3,080,194	A	3/1963 Rowland	5,961,184	A	10/1999 Balderi et al.
3,111,344	A	11/1963 Hoven et al.	5,997,094	A	12/1999 Cvek
D197,644	S	3/1964 Sundberg et al.	D423,805	S	5/2000 Olson
3,328,075	A	6/1967 Albinson	D426,970	S	6/2000 Kolberg
3,329,465	A	7/1967 King	6,109,696	A	8/2000 Newhouse
3,336,078	A	8/1967 Haley	6,135,562	A	10/2000 Infanti
3,365,233	A	1/1968 Uyeda et al.	6,220,661	B1	4/2001 Peterson
D214,315	S *	6/1969 Bartholomew D6/374	6,250,718	B1	6/2001 Newhouse et al.
D219,032	S	10/1970 Christenson	D449,938	S *	11/2001 Vanderiet et al. D6/380
D224,952	S	10/1972 Wilson	D455,570	S	4/2002 Kita
D225,195	S	11/1972 Lange	D455,571	S	4/2002 Van De Riet et al.
3,724,897	A	4/1973 Falks et al.	D456,164	S	4/2002 Vanderiet et al.
3,734,561	A	5/1973 Barecki et al.	D457,007	S	5/2002 Pearce et al.
3,850,476	A	11/1974 Day	6,382,719	B1	5/2002 Heidmann et al.
3,947,068	A	3/1976 Buhk	6,409,268	B1	6/2002 Cvek
3,983,614	A	10/1976 Koepke et al.	6,425,637	B1	7/2002 Peterson
3,990,745	A	11/1976 Rodaway	D464,208	S	10/2002 Kwon
4,066,295	A	1/1978 Severson	D466,712	S	12/2002 Haney et al.
4,157,203	A	6/1979 Ambasz	6,499,801	B1	12/2002 Peterson et al.
D259,598	S	6/1981 Locher	6,508,509	B2	1/2003 Peterson
4,285,544	A	8/1981 Zapf	D470,670	S	2/2003 Meyer
4,305,617	A	12/1981 Benoit	D472,723	S	4/2003 Haney et al.
4,333,683	A	6/1982 Ambasz	D472,745	S	4/2003 Haney et al.
4,395,071	A	7/1983 Laird	6,540,302	B1	4/2003 Crocker et al.
D271,066	S	10/1983 Rowland	6,558,306	B2	5/2003 Lowry et al.
4,418,958	A	12/1983 Watkin	D475,211	S *	6/2003 Neil D6/374
4,474,717	A	10/1984 Hendry	6,612,654	B2	9/2003 Laws et al.
4,492,409	A	1/1985 Laird	6,637,823	B1	10/2003 Ursini et al.
4,529,247	A	7/1985 Stumpf et al.	6,644,749	B2	11/2003 VanDeRiet et al.
4,548,441	A	10/1985 Ogg	6,670,555	B2	12/2003 Ota et al.
4,549,764	A	10/1985 Haedo	6,688,687	B2	2/2004 Chu
D281,941	S	12/1985 Ambasz et al.	D487,197	S	3/2004 Edwards et al.
4,557,521	A	12/1985 Lange	6,722,741	B2	4/2004 Stumpf et al.
4,580,836	A	4/1986 Verney	6,726,278	B1	4/2004 Albright et al.
4,603,904	A	8/1986 Tolleson et al.	D490,622	S	6/2004 Olson
4,660,887	A	4/1987 Fleming et al.	6,755,467	B1	6/2004 Chu
4,718,153	A	1/1988 Armitage et al.	6,811,215	B2	11/2004 Horiki et al.
4,733,910	A	3/1988 Brennan	6,837,546	B2	1/2005 VanDeRiet et al.
4,869,552	A	9/1989 Tolleson et al.	6,849,227	B2	2/2005 Funk et al.
4,871,209	A	10/1989 Handelman	6,880,215	B2	4/2005 Peterson
4,892,356	A	1/1990 Pittman et al.	D505,801	S	6/2005 Cesaroni et al.
4,903,354	A	2/1990 Yeh	6,935,698	B1	8/2005 Chen
4,913,496	A	4/1990 Oke	6,955,402	B2	10/2005 VanDeRiet et al.
4,919,485	A	4/1990 Guichion	6,969,121	B2	11/2005 Drajan
4,932,720	A	6/1990 Sherman	D512,846	S	12/2005 Goodworth
4,938,530	A	7/1990 Snyder et al.	D513,134	S *	12/2005 Asano et al. D6/376
D317,381	S	6/1991 Fulcheri	D515,331	S *	2/2006 Piretti D6/380
5,039,163	A	8/1991 Tolleson	D543,374	S	5/2007 Huerlimann
5,048,894	A	9/1991 Miyajima et al.	D546,574	S	7/2007 Kaloustian
5,050,931	A	9/1991 Knoblock	D547,963	S	8/2007 Olano
5,064,247	A	11/1991 Clark et al.	D564,264	S	3/2008 Smith et al.
5,104,192	A	4/1992 Gianfranchi	2003/0168901	A1	9/2003 Wilkerson et al.
5,123,702	A	6/1992 Caruso	2003/0193229	A1	10/2003 VanDeRiet et al.
5,139,714	A	8/1992 Hettinga	2004/0251729	A1	12/2004 Olson
5,269,589	A	12/1993 Brothers et al.	2005/0206212	A1	9/2005 Peterson
D352,183	S	11/1994 Sheridan	2005/0269850	A1	12/2005 York et al.
5,370,474	A	12/1994 Olson	FOREIGN PATENT DOCUMENTS		
5,383,712	A	1/1995 Perry	JP	139308	12/1978

US D600,052 S

Page 3

JP	62-193456	8/1987
JP	41-16757	4/1992
JP	408070951 A	3/1996
JP	408228882 A	9/1996

JP	408228883 A	9/1996
JP	410179325 A	7/1998

* cited by examiner

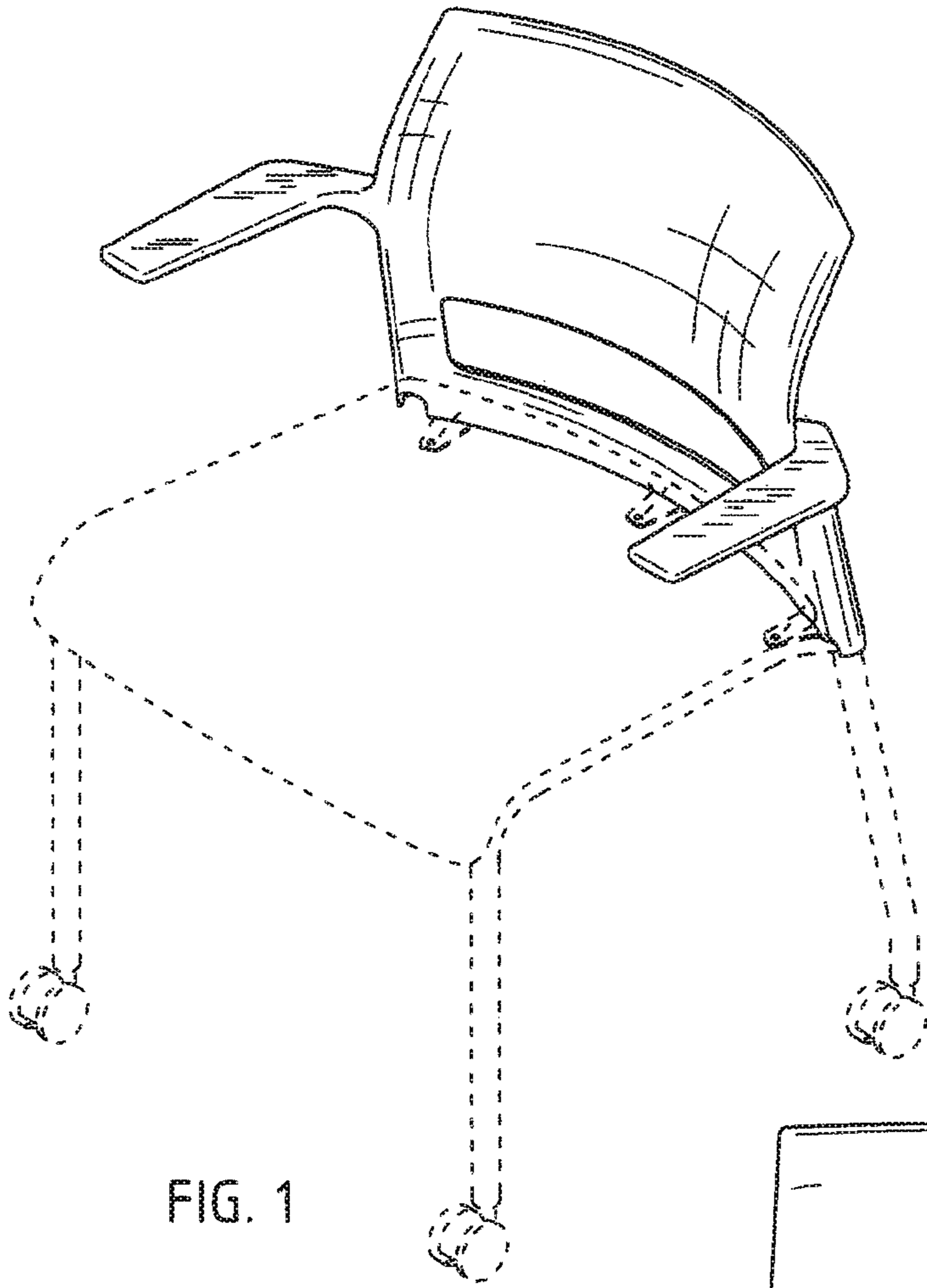


FIG. 1

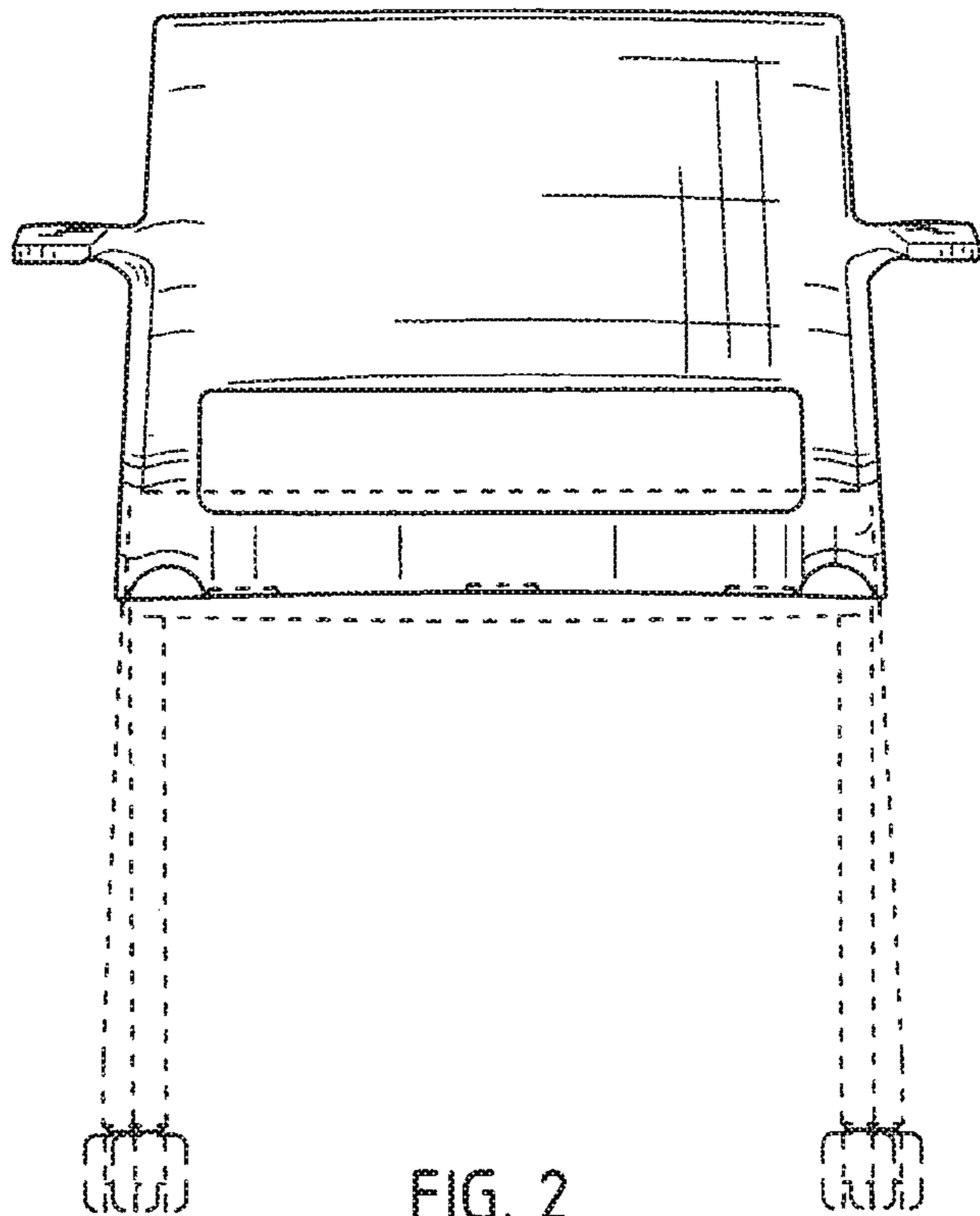


FIG. 2

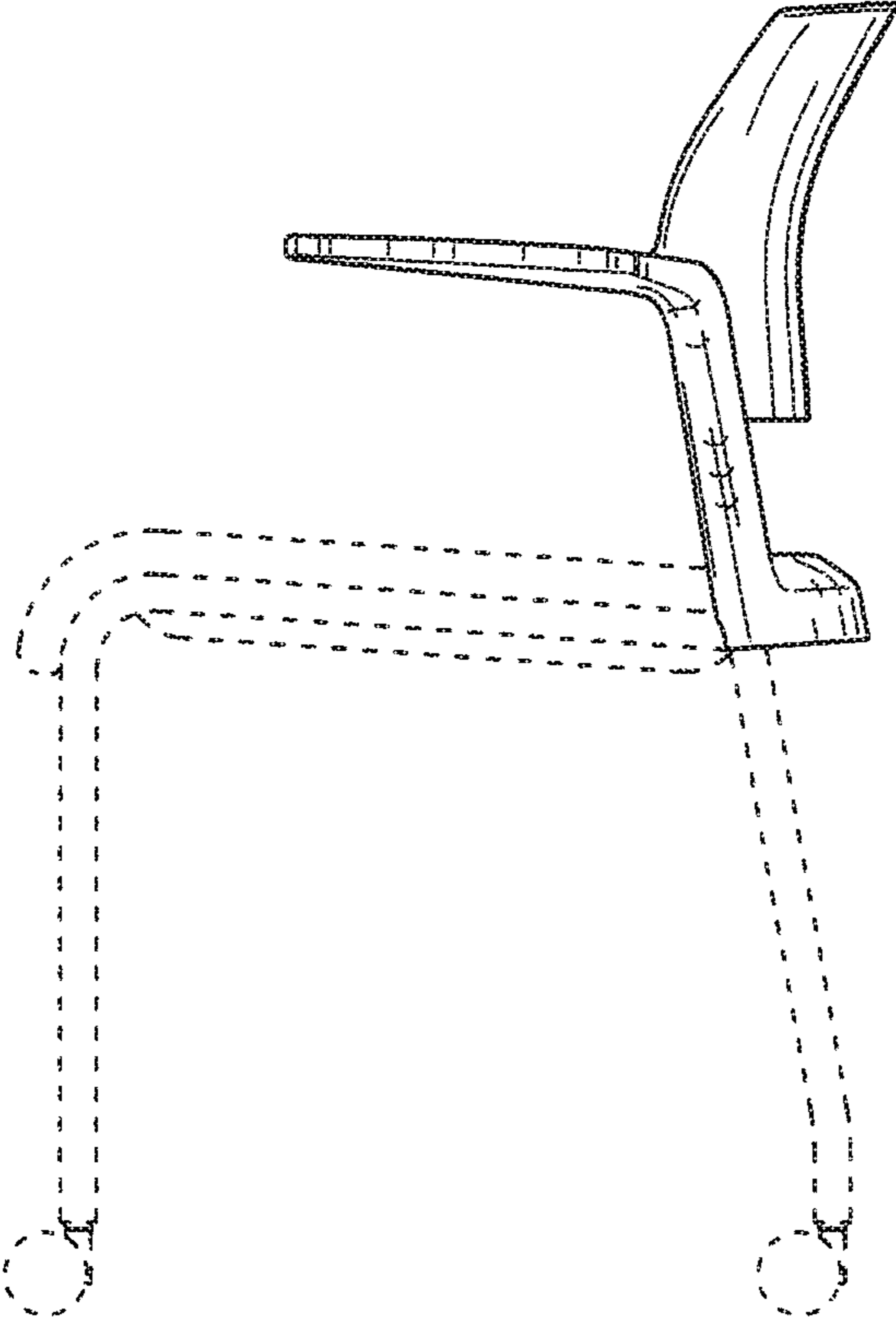


FIG. 3

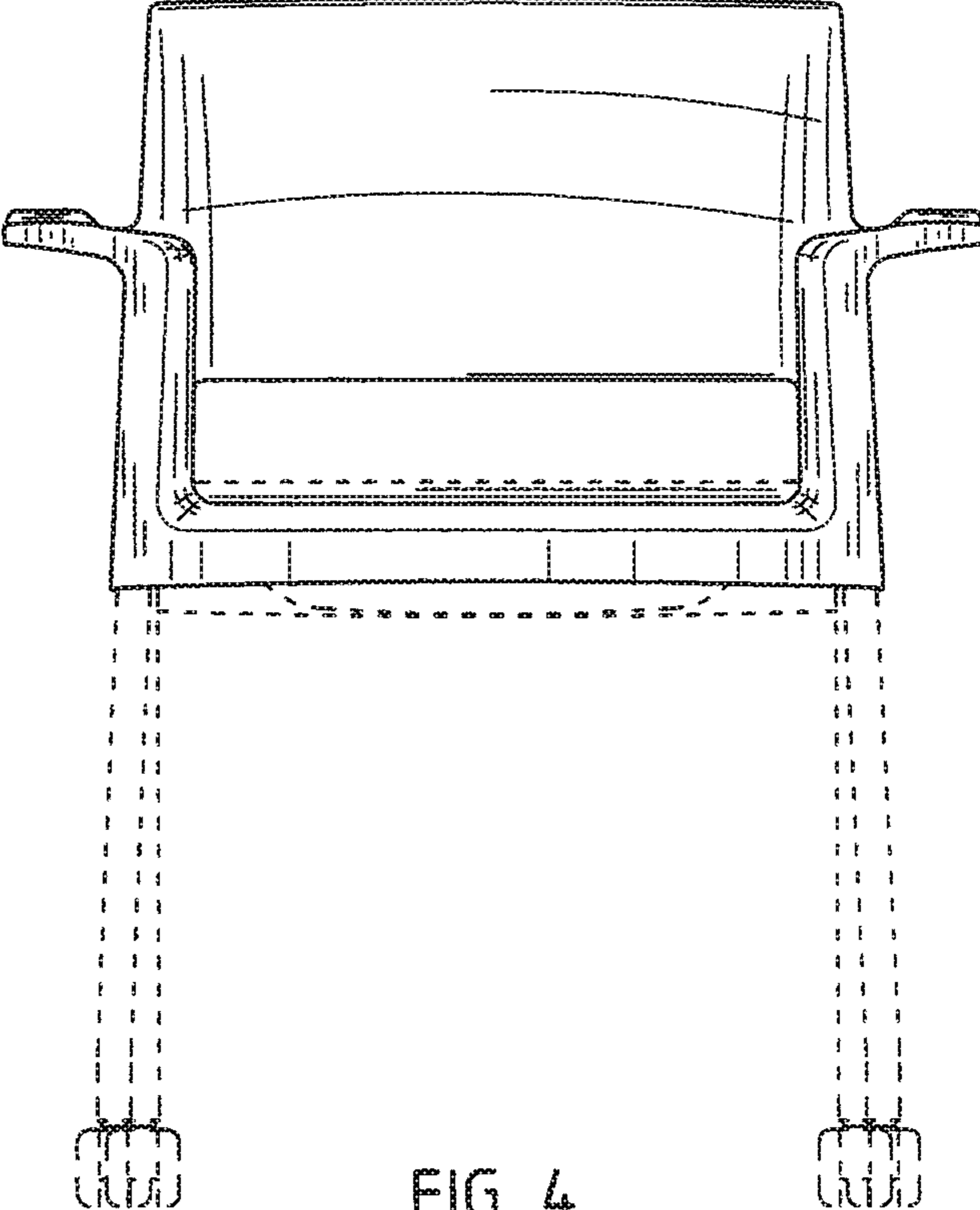


FIG. 4

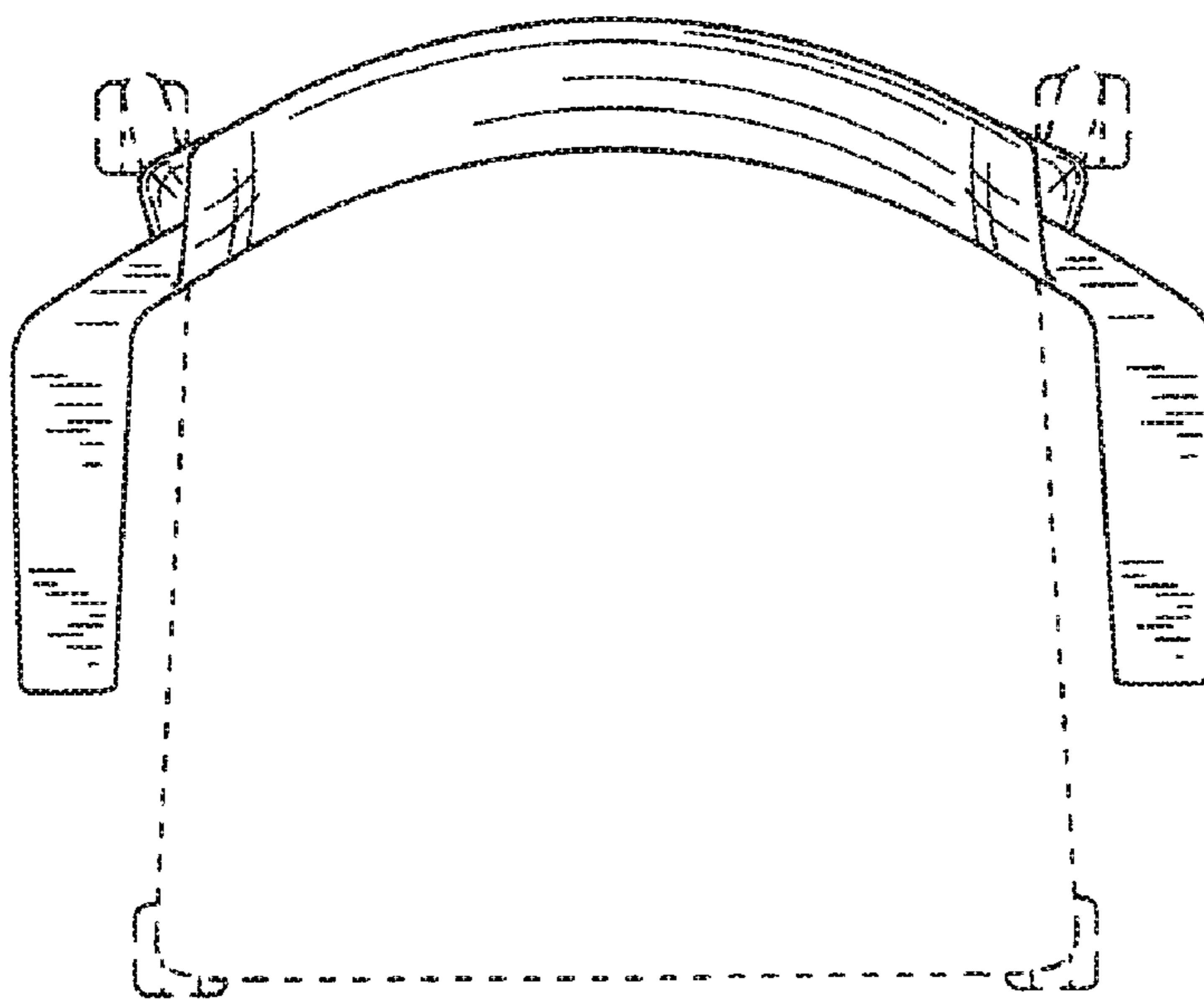


FIG. 5

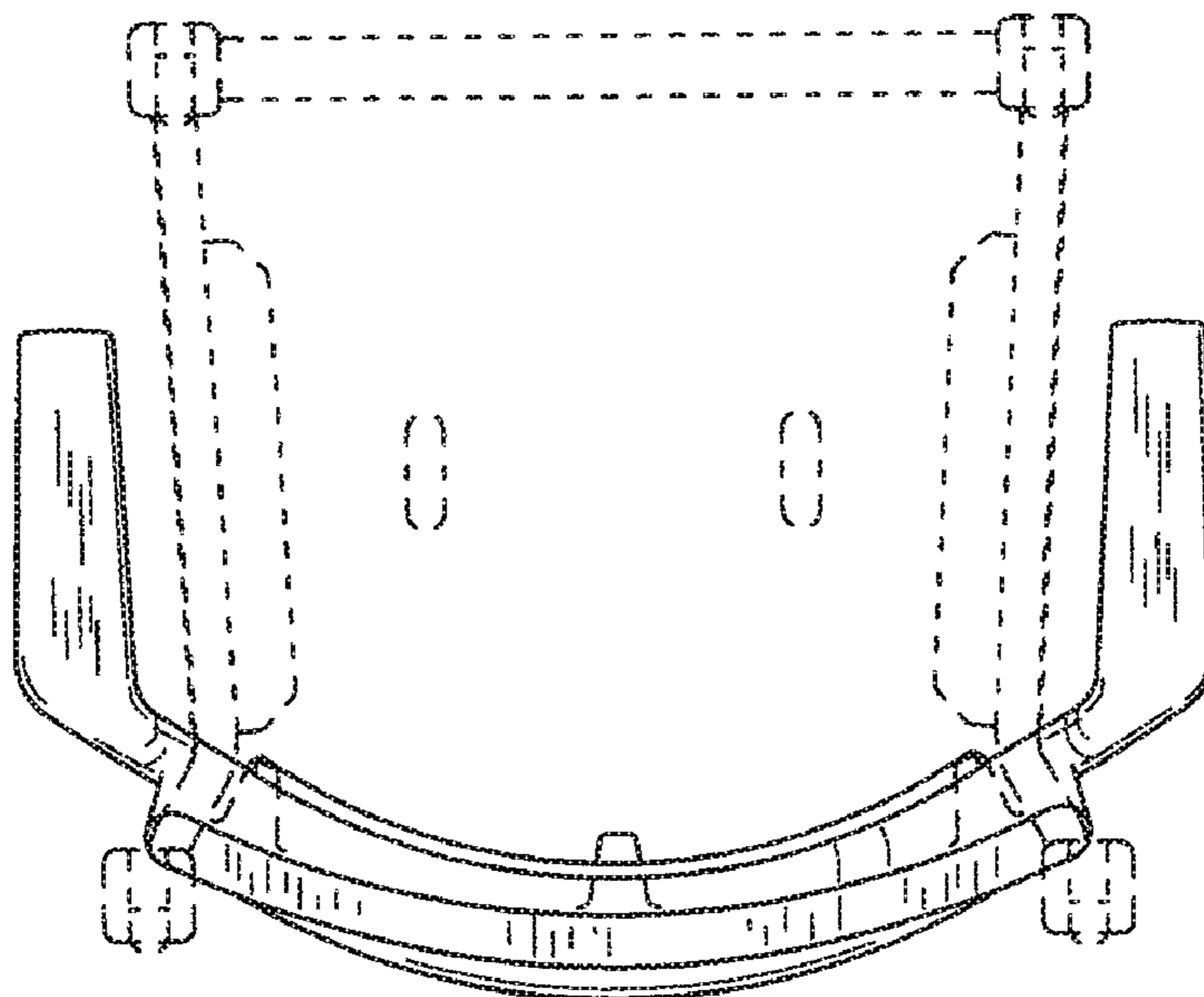


FIG. 6

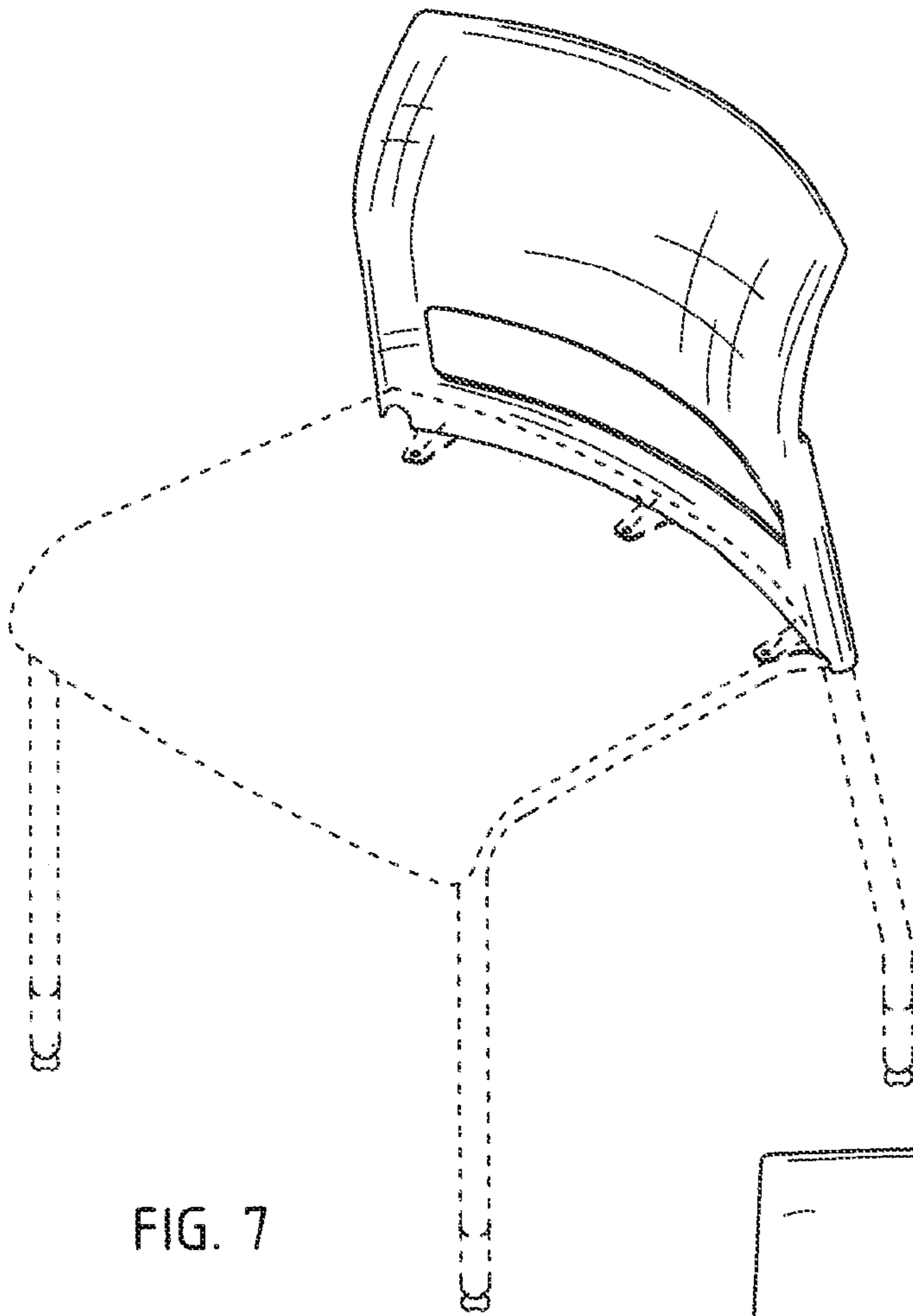


FIG. 7

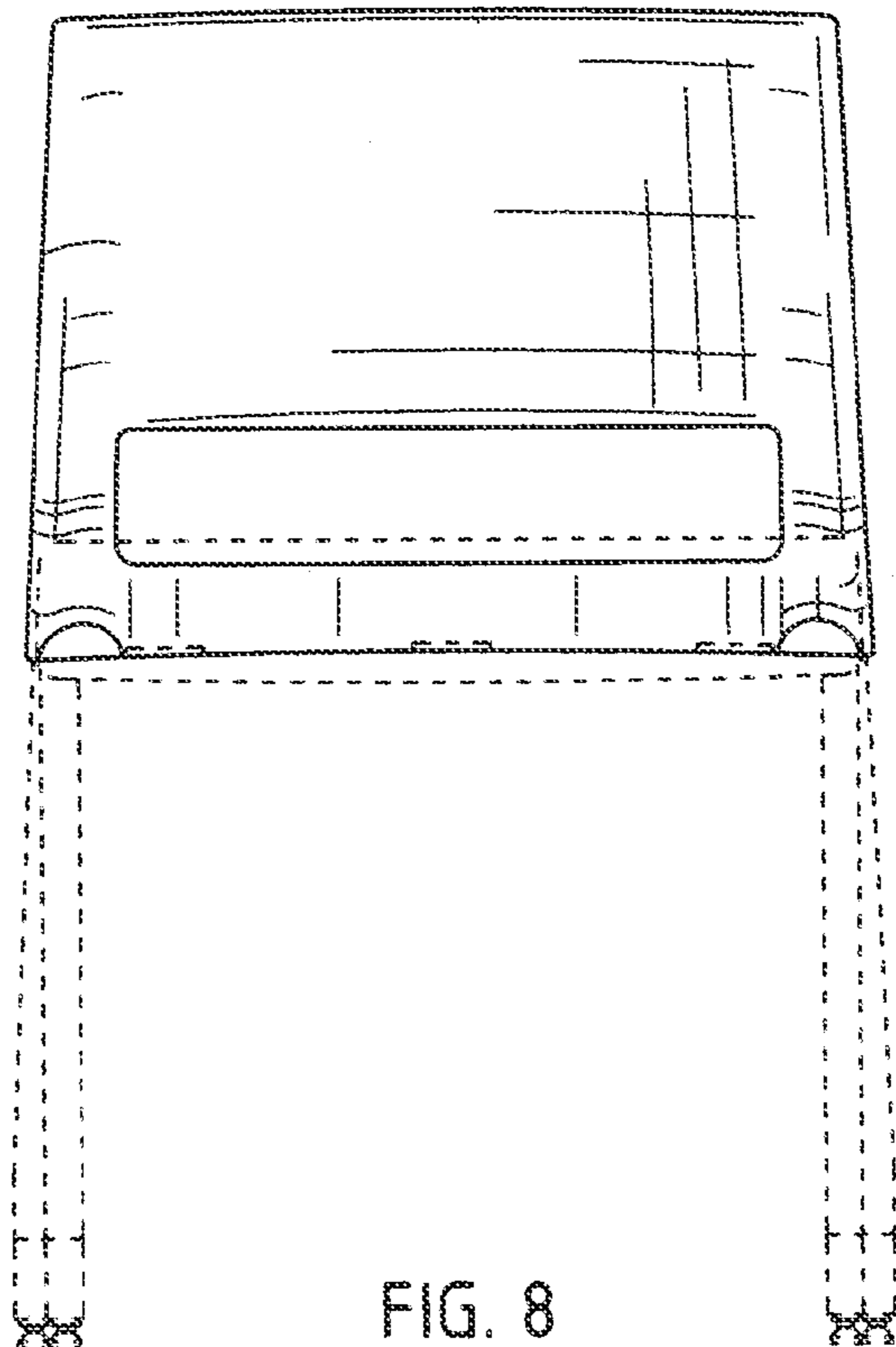


FIG. 8

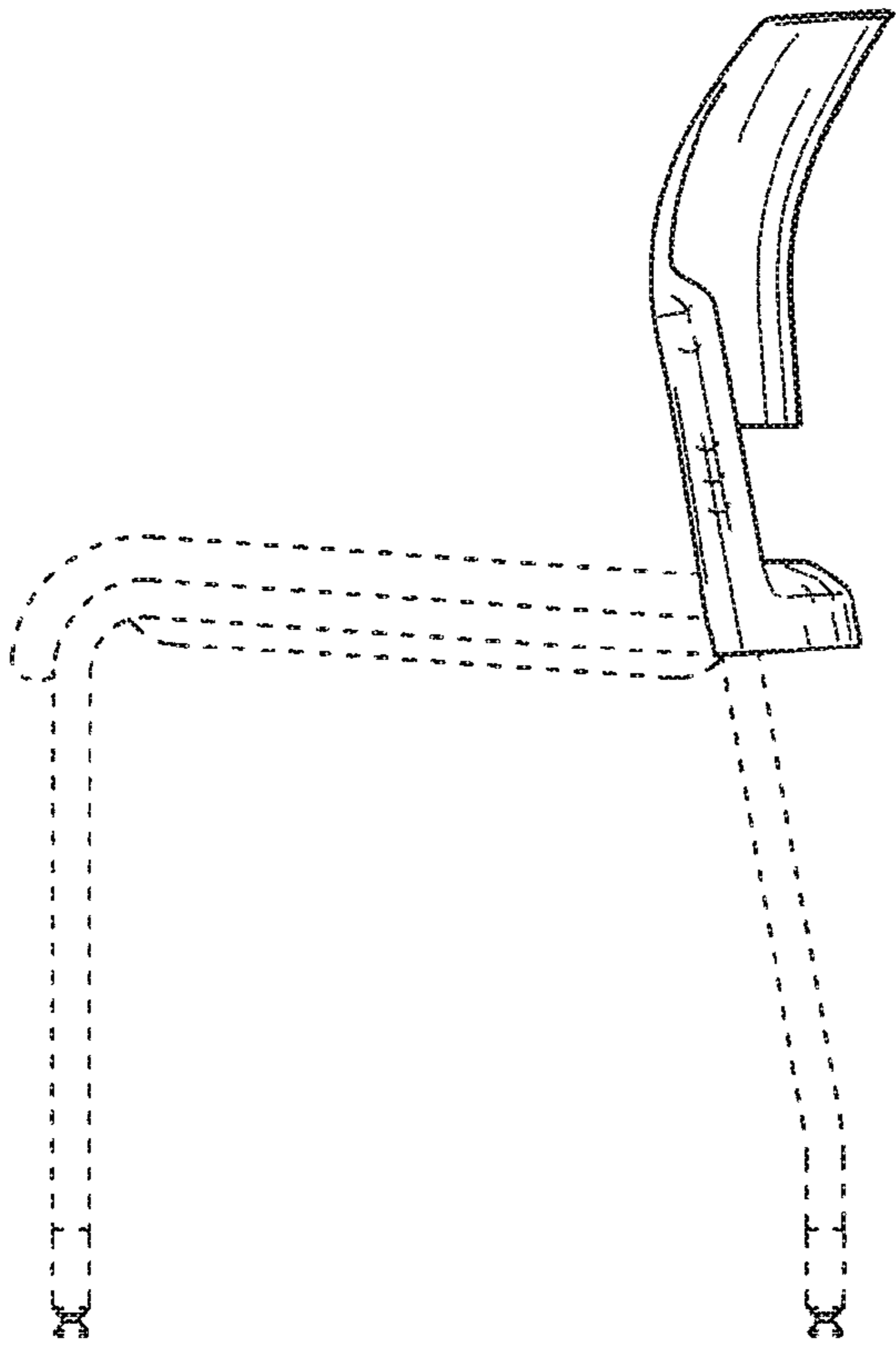


FIG. 9

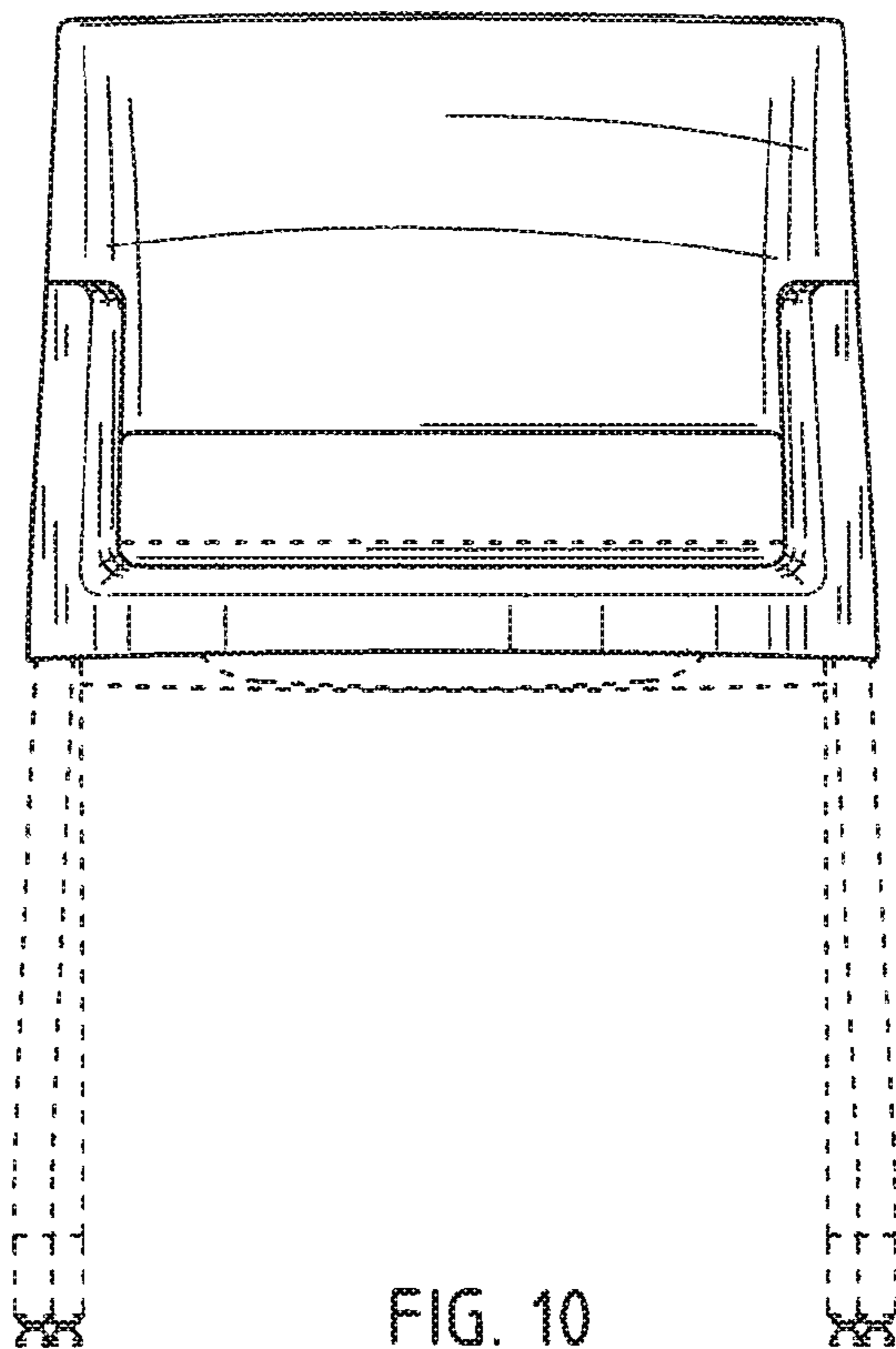


FIG. 10

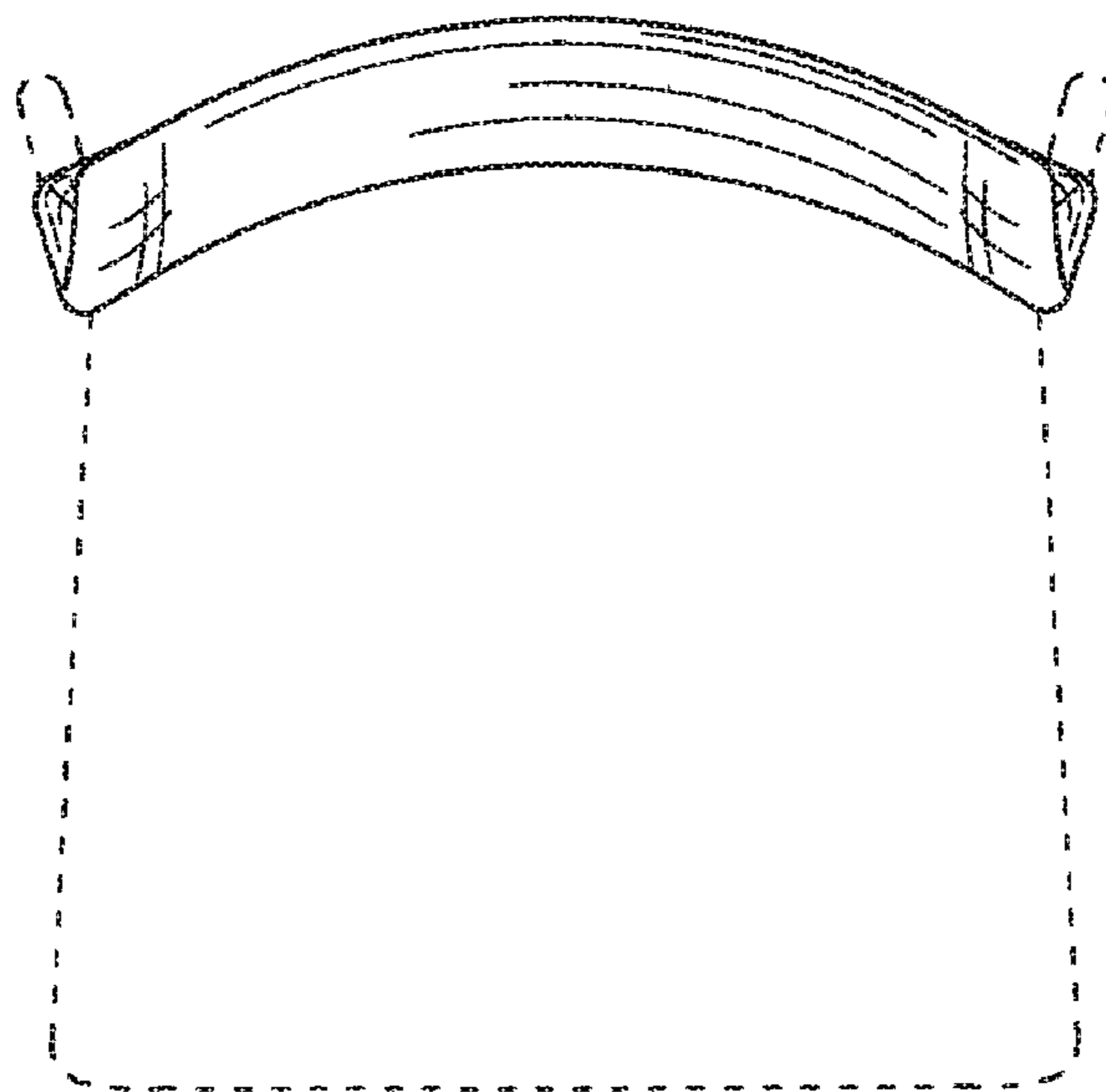


FIG. 11

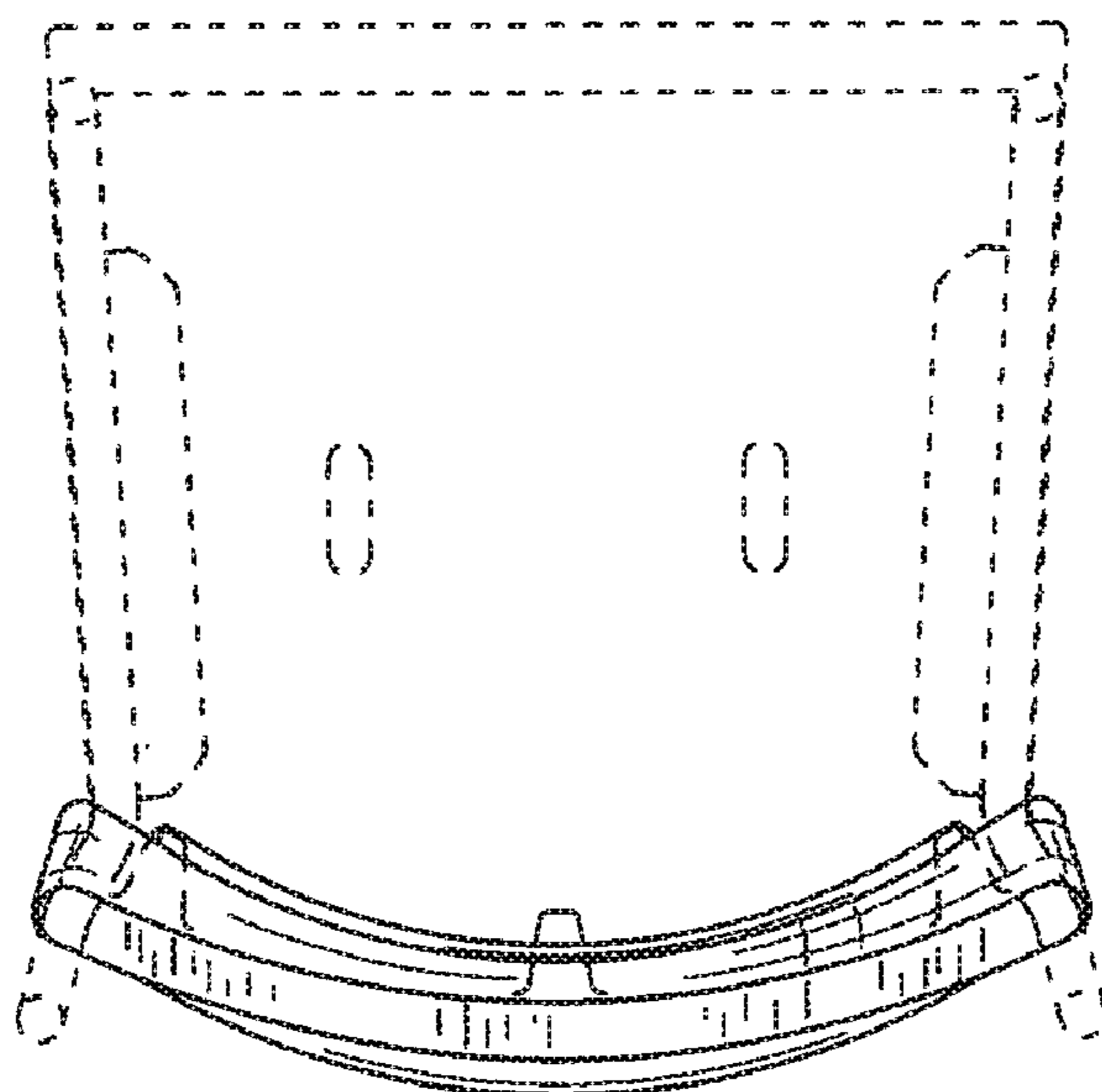


FIG. 12