



US00D600051S

(12) **United States Design Patent**
Parker et al.

(10) **Patent No.:** **US D600,051 S**

(45) **Date of Patent:** **** Sep. 15, 2009**

(54) **CHAIR BACK**

(75) Inventors: **Kent Wallace Parker**, Lower Hutt (NZ);
Daryl Owen Neal, Lower Hutt (NZ)

(73) Assignee: **Formway Furniture Limited**,
Wellington (NZ)

(**) Term: **14 Years**

(21) Appl. No.: **29/306,463**

(22) Filed: **Apr. 9, 2008**

(51) **LOC (9) Cl.** **06-01**

(52) **U.S. Cl.** **D6/502**

(58) **Field of Classification Search** D6/500-502,
D6/364-367, 369, 379-380; 297/411.27,
297/411.36, 411.29, 411.46, 411.64, 284.4,
297/300.2, 452.3, 411.2

See application file for complete search history.

(56) **References Cited**

U.S. PATENT DOCUMENTS

2,787,315 A	4/1957	Siebert
2,916,084 A	12/1959	Bottemiller et al.
3,681,792 A	8/1972	Korber
3,722,955 A	3/1973	Trotman
3,813,073 A	5/1974	Mohr et al.
3,929,374 A	12/1975	Hogan et al.
4,032,190 A	6/1977	Müller-Deisig et al.
4,040,611 A	8/1977	Leroy et al.
4,084,850 A	4/1978	Ambasz
4,119,343 A	10/1978	Pentzien
4,143,916 A	3/1979	Trotman et al.
4,183,494 A	1/1980	Cleveland
4,340,250 A	7/1982	Ward
4,361,357 A	11/1982	Pollock
4,411,468 A	10/1983	Apissomian
4,469,738 A	9/1984	Himmelreich, Jr.
4,502,729 A	3/1985	Locher
4,575,150 A	3/1986	Smith
4,652,049 A	3/1987	Maruyama et al.

4,717,203 A	1/1988	Meiller
4,830,432 A	5/1989	Fuhrmann et al.
4,890,886 A	1/1990	Opsvik
4,911,501 A	3/1990	Decker et al.
5,035,466 A	7/1991	Mathews et al.
5,046,780 A	9/1991	Decker et al.
5,114,211 A	5/1992	Desanta
5,121,934 A	6/1992	Decker et al.
5,238,294 A	8/1993	Ishi et al.
5,409,295 A	4/1995	Edstrom
5,577,804 A	11/1996	Tedesco
5,599,064 A	2/1997	Vanderminden, Sr.
5,649,739 A	7/1997	Zapf

(Continued)

FOREIGN PATENT DOCUMENTS

DE 23 40 919 A1 2/1975

(Continued)

Primary Examiner—Caron Veynar
Assistant Examiner—Abraham Bahta
(74) *Attorney, Agent, or Firm*—Workman Nydegger

(57) **CLAIM**

The ornamental design for a chair back, as shown and described.

DESCRIPTION

FIG. 1 is a top plan view of a chair back showing our new design;

FIG. 2 is a front elevational view thereof;

FIG. 3 is a left side elevational view thereof;

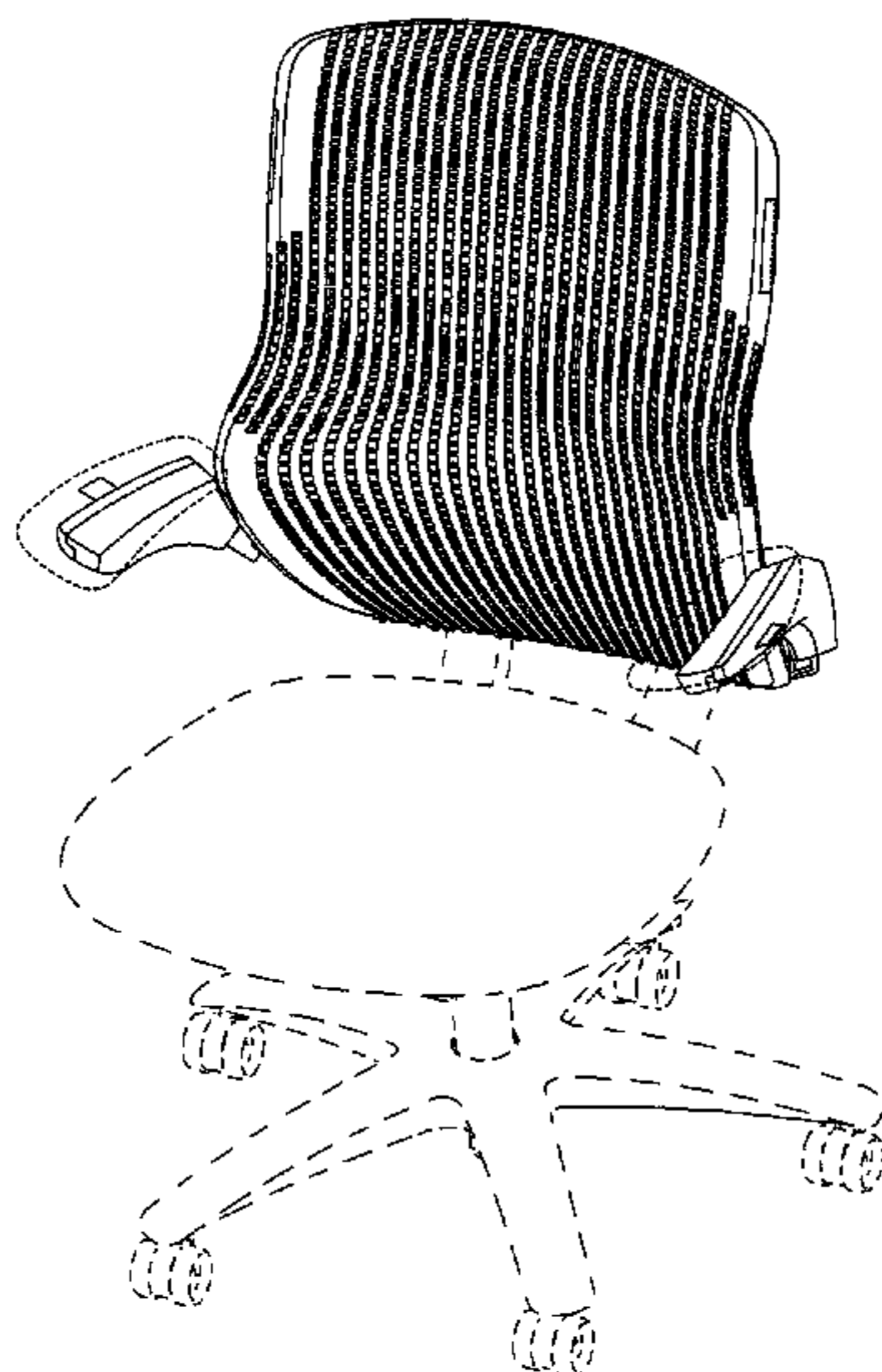
FIG. 4 is a right side elevational view thereof;

FIG. 5 is a rear elevational view thereof; and,

FIG. 6 is a perspective view thereof.

The broken lines are for illustrative purposes only and form no part of the claimed design.

1 Claim, 6 Drawing Sheets



US D600,051 S

U.S. PATENT DOCUMENTS

5,671,972 A 9/1997 Tedesco
 5,700,060 A 12/1997 Bullard et al.
 5,769,492 A 6/1998 Jensen
 5,795,026 A 8/1998 Dral et al.
 5,802,643 A 9/1998 Slood
 5,887,946 A 3/1999 Raftery
 5,899,530 A 5/1999 Tedesco
 5,909,923 A 6/1999 DeKraker
 5,934,758 A 8/1999 Ritch et al.
 5,967,610 A 10/1999 Lin
 5,979,984 A 11/1999 DeKraker et al.
 6,029,962 A 2/2000 Shorten et al.
 6,059,368 A 5/2000 Stumpf et al.
 6,079,782 A 6/2000 Berg et al.
 6,213,553 B1 4/2001 Fitz
 D445,580 S 7/2001 Pennington et al.
 6,279,998 B1 8/2001 Chu et al.
 6,318,800 B1 11/2001 DeKraker
 6,349,992 B1 2/2002 Knoblock et al.
 6,357,827 B1 3/2002 Brightbill et al.
 6,367,877 B1 4/2002 Knoblock et al.
 6,382,719 B1 5/2002 Heidmann et al.
 6,386,634 B1 5/2002 Stumpf et al.
 6,394,545 B2 5/2002 Knoblock et al.
 6,394,546 B1 5/2002 Knoblock et al.
 6,394,548 B1 5/2002 Battey et al.
 6,394,549 B1 5/2002 DeKraker et al.
 D460,300 S 7/2002 Fifield et al.
 6,439,665 B1 8/2002 Cvek
 D463,144 S 9/2002 Pennington et al.
 6,460,928 B2 10/2002 Knoblock et al.
 D466,397 S 12/2002 Marwick
 6,523,898 B1 2/2003 Ball et al.
 6,536,841 B1 3/2003 Pearce et al.
 6,572,190 B2 6/2003 Koepke et al.
 6,588,842 B2 7/2003 Stumpf et al.
 6,588,843 B1 7/2003 Ebenstein
 6,598,251 B2 7/2003 Habboub et al.
 6,605,332 B2 8/2003 Calhoun et al.
 6,609,755 B2 8/2003 Koepke et al.
 6,609,760 B1 8/2003 Matern et al.
 D479,416 S * 9/2003 Raftery D6/502
 6,616,228 B2 9/2003 Heidmann
 6,623,079 B2 9/2003 Gregory
 6,644,741 B2 11/2003 Nelson et al.
 6,669,292 B2 12/2003 Koepke et al.
 6,669,301 B1 12/2003 Funk et al.
 6,672,669 B2 1/2004 Chu et al.
 6,685,268 B2 2/2004 Meyer
 6,687,933 B2 2/2004 Habboub et al.
 6,698,833 B2 3/2004 Ball et al.
 6,702,390 B2 3/2004 Stumpf et al.
 6,722,740 B2 4/2004 Imayou et al.
 6,722,741 B2 * 4/2004 Stumpf et al. 297/452.56
 6,726,285 B2 4/2004 Caruso et al.
 6,729,691 B2 5/2004 Koepke et al.
 6,733,080 B2 5/2004 Sayers et al.
 D494,792 S * 8/2004 Schmitz et al. D6/502
 6,802,566 B2 10/2004 Prince et al.
 6,817,667 B2 11/2004 Pennington et al.
 6,840,582 B2 1/2005 Burwell et al.
 6,869,142 B2 3/2005 Heidmann et al.
 6,880,886 B2 4/2005 Bodnar et al.
 6,899,398 B2 5/2005 Coffield
 6,905,171 B2 6/2005 Knoblock et al.
 6,908,159 B2 6/2005 Prince et al.
 6,910,736 B2 6/2005 White
 6,910,741 B2 6/2005 Footitt
 D506,894 S * 7/2005 Harley D6/502
 6,913,315 B2 7/2005 Ball et al.
 D510,488 S * 10/2005 Su D6/366

6,955,402 B2 10/2005 VanDeRiet et al.
 6,957,863 B2 10/2005 Heidmann et al.
 6,959,965 B2 11/2005 Diffrient
 6,966,606 B2 11/2005 Coffield
 6,979,059 B1 12/2005 Conlin
 6,979,984 B2 12/2005 Perrier et al.
 6,981,743 B2 1/2006 Edwards et al.
 6,994,400 B2 2/2006 Koepke et al.
 D516,828 S * 3/2006 Tsai D6/366
 7,014,269 B2 3/2006 Coffield et al.
 7,055,911 B2 6/2006 Simpson et al.
 7,059,682 B2 6/2006 Caruso et al.
 7,066,537 B2 6/2006 Coffield et al.
 7,066,538 B2 6/2006 Machael et al.
 7,066,546 B2 6/2006 Trego et al.
 7,070,727 B2 7/2006 Calhoun et al.
 7,096,549 B2 8/2006 Coffield
 7,114,777 B2 10/2006 Knoblock et al.
 7,131,700 B2 11/2006 Knoblock et al.
 7,147,285 B2 12/2006 Lin
 D534,384 S * 1/2007 Su D6/502
 7,165,811 B2 1/2007 Bodnar et al.
 D542,043 S * 5/2007 Wu D6/366
 7,234,774 B2 6/2007 Heidmann et al.
 7,264,311 B2 9/2007 Heidmann
 7,270,378 B2 9/2007 Wilkerson et al.
 D553,378 S * 10/2007 Wang D6/366
 D556,481 S * 12/2007 Harley D6/502
 D577,934 S * 10/2008 Raftery et al. D6/502
 D581,708 S * 12/2008 Su D6/502
 2002/0109384 A1 8/2002 Hansen
 2002/0158492 A1 10/2002 Ko et al.
 2003/0085601 A1 5/2003 Hudswell et al.
 2003/0127901 A1 7/2003 Lovato
 2003/0178882 A1 9/2003 Schmitz et al.
 2004/0012237 A1 1/2004 Horiki et al.
 2004/0183350 A1 9/2004 Schmitz et al.
 2004/0245840 A1 12/2004 Tubergen et al.
 2004/0245841 A1 12/2004 Peterson et al.
 2005/0017557 A1 1/2005 Caruso et al.
 2006/0001303 A1 1/2006 Raftery et al.
 2006/0006715 A1 1/2006 Chadwick et al.
 2006/0071523 A1 4/2006 Stumpf et al.
 2006/0091714 A1 5/2006 Schmitz et al.
 2006/0091715 A1 5/2006 Schmitz et al.
 2006/0103208 A1 5/2006 Schmitz et al.
 2006/0226691 A1 10/2006 Bedford et al.

FOREIGN PATENT DOCUMENTS

DE 41 37 488 A1 6/1992
 DE 41 14 101 A1 11/1992
 DE 196 10 714 A1 9/1997
 DE 200 06 038 U1 6/2000
 DE 199 08 592 C1 11/2000
 DE 203 15 179 U1 1/2004
 DE 10 2005 016 198 A1 10/2006
 EP 0 107 627 B1 1/1986
 EP 0 482 439 B1 4/1992
 EP 0 433 099 B1 5/1994
 EP 0 589 834 B1 4/1996
 EP 0 721 751 B1 8/2000
 EP 0 850 005 B1 11/2003
 EP 1 616 504 A2 1/2006
 EP 1 621 108 A1 2/2006
 EP 1 408 794 B1 9/2006
 GB 2 212 392 A1 7/1989
 GB 2 347 853 A1 9/2000
 GB 2 412 576 A1 10/2005
 JP 8-24083 1/1996
 JP 2001-245748 9/2001
 JP 2003-189965 7/2003
 JP 2003-189966 7/2003

US D600,051 S

Page 3

JP	2006-218047	8/2006	WO	WO 03/103455 A1	12/2003
WO	WO 92/12657	8/1992	WO	WO 2005/030007 A1	4/2005
WO	WO 93/03652	3/1993	WO	WO 2006/110227 A2	10/2006
WO	WO 98/16140	4/1998	WO	WO 2007/110737 A2	10/2007
WO	WO 99/44475	9/1999	WO	WO 2007/1107929 A2	10/2007
WO	WO 99/58022	11/1999			
WO	WO 03/055674 A1	7/2003			

* cited by examiner

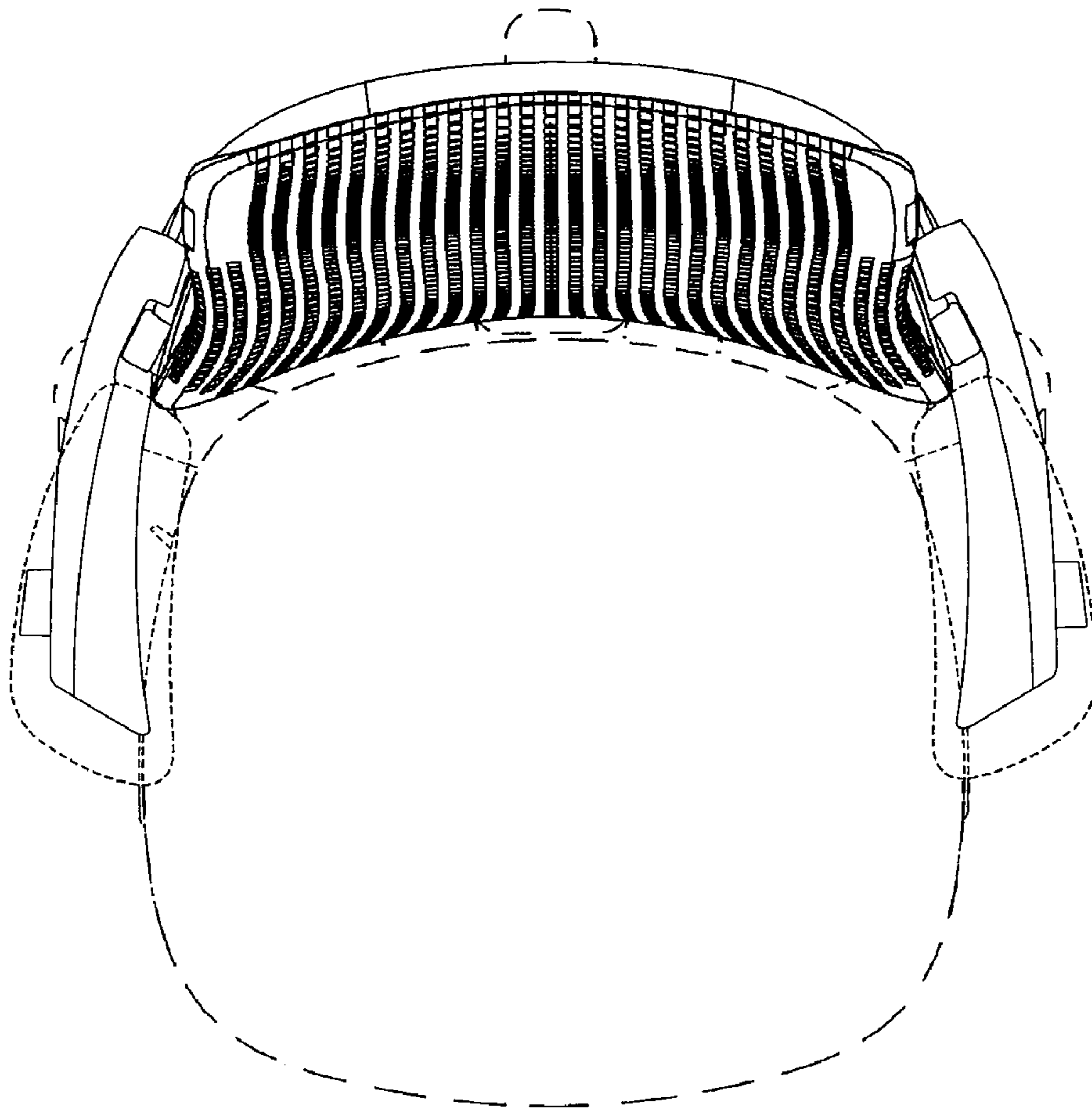


FIGURE 1

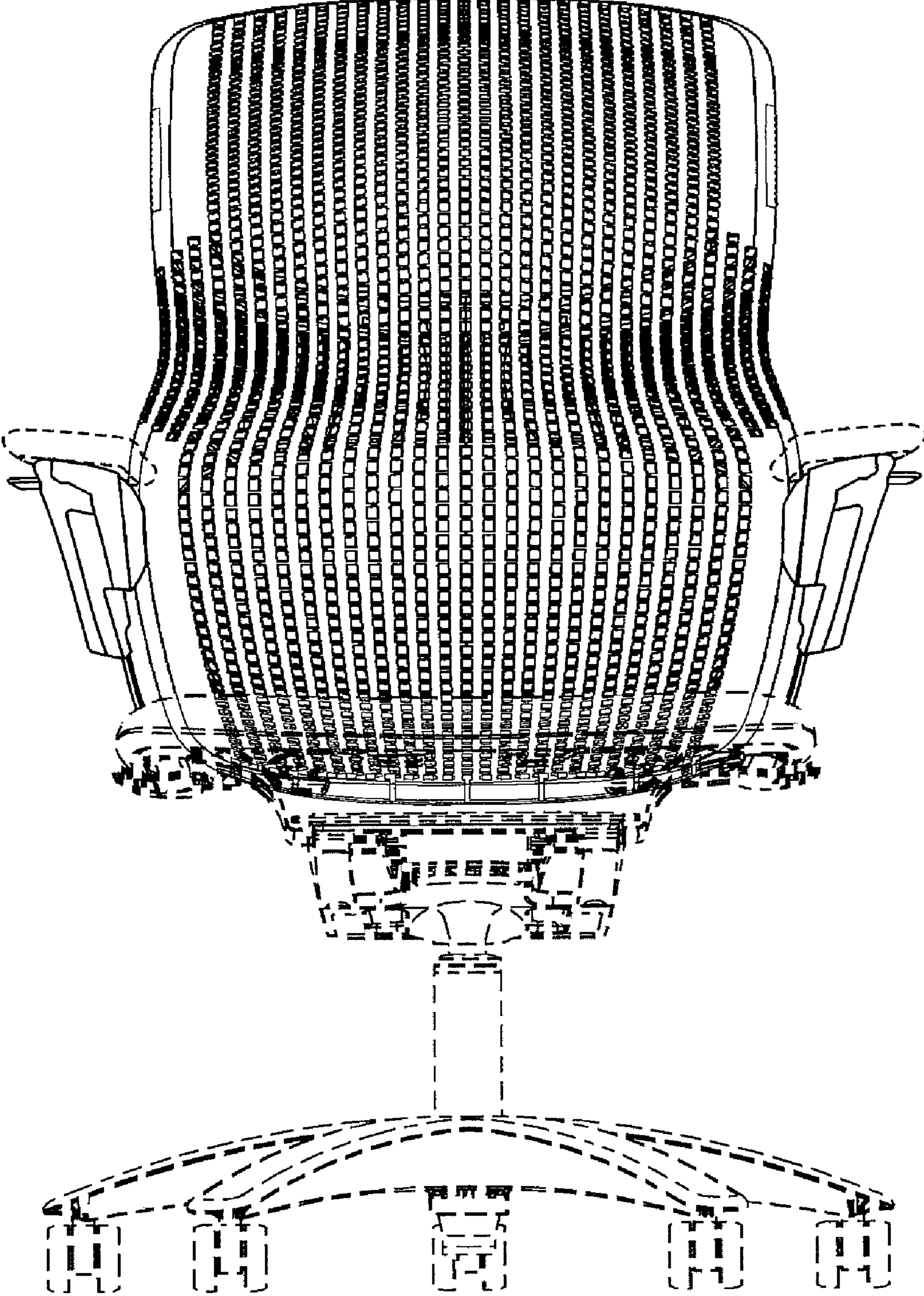


FIGURE 2

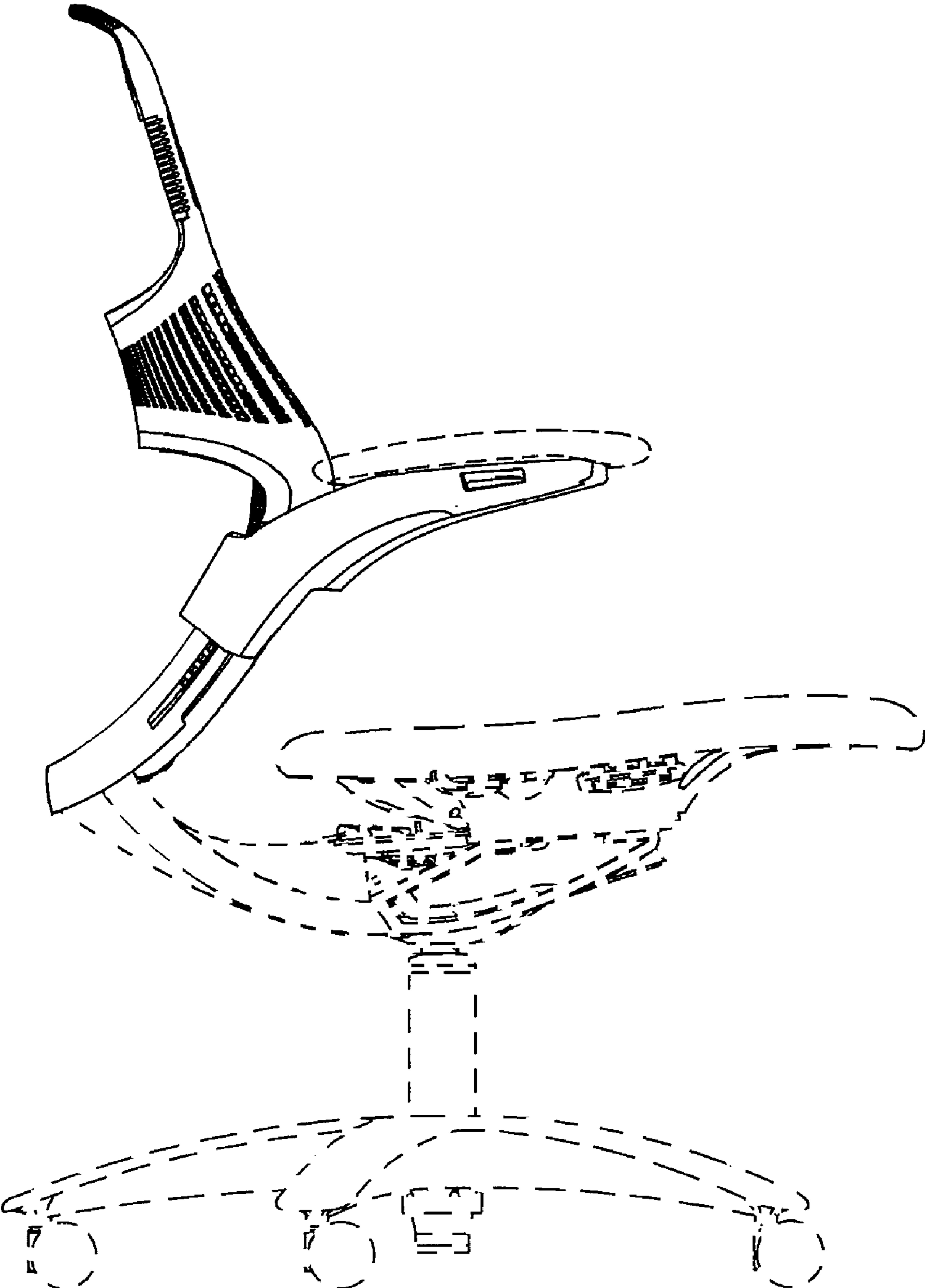


FIGURE 3

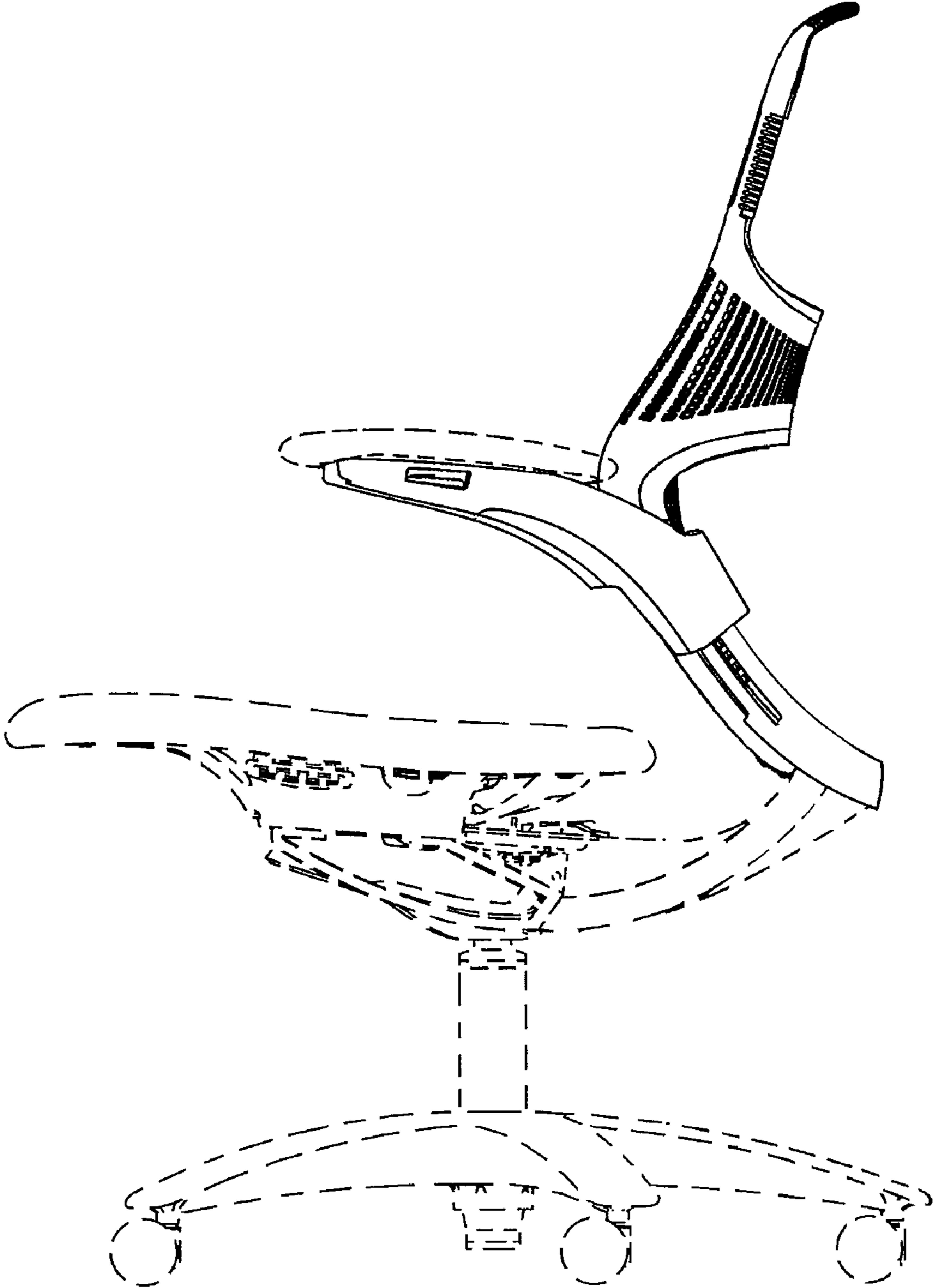


FIGURE 4

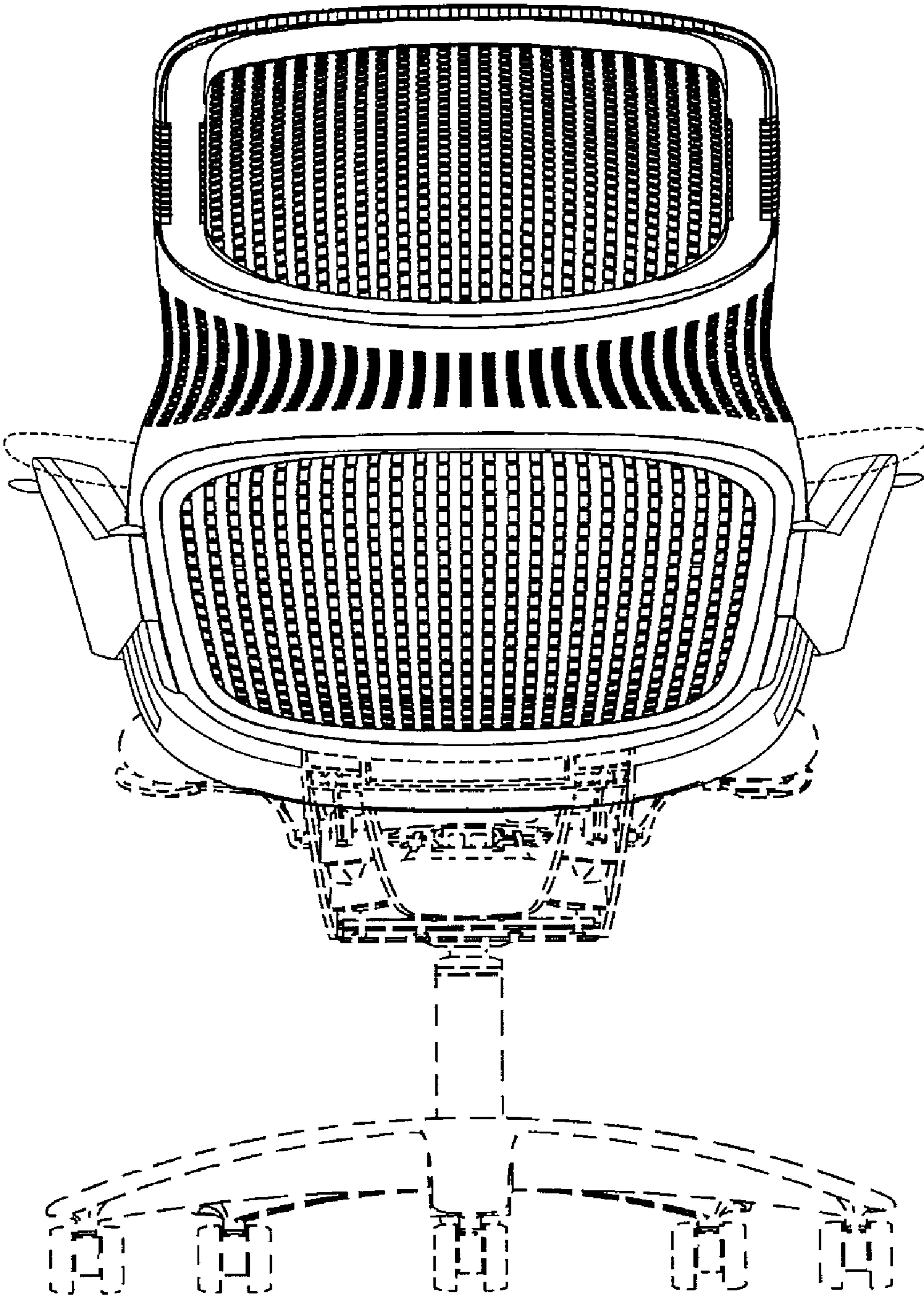


FIGURE 5

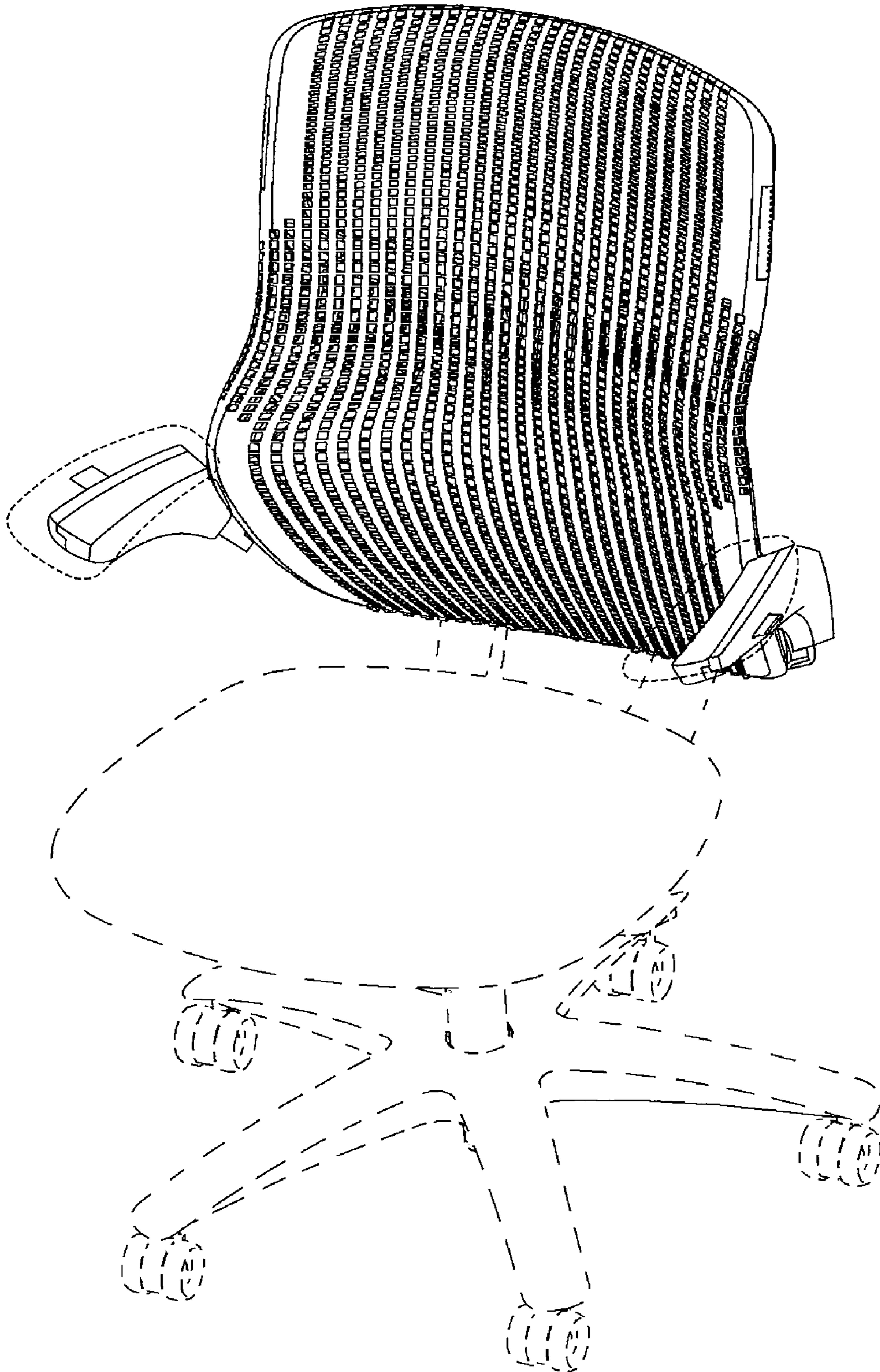


FIGURE 6