



US00D600049S

(12) **United States Design Patent**  
**Heltemes et al.**

(10) **Patent No.:** **US D600,049 S**  
(45) **Date of Patent:** **\*\* Sep. 15, 2009**

(54) **CHAIR CONSTRUCTION**

(75) Inventors: **Marilou Margaret Heltemes**, Wadena, MN (US); **Stacy Ann Brichacek**, Browerville, MN (US); **Travis David Anderson**, Dent, MN (US); **Aaron Daniel Spicer**, Wadena, MN (US)

(73) Assignee: **Homecrest Outdoor Living, LLC**, Wadena, MN (US)

(\*\*) Term: **14 Years**

(21) Appl. No.: **29/335,495**

(22) Filed: **Apr. 16, 2009**

(51) **LOC (9) Cl.** ..... **06-01**

(52) **U.S. Cl.** ..... **D6/501**

(58) **Field of Classification Search** ..... D6/334–336, D6/369, 370, 371–373, 374, 375, 376, 379, D6/380, 381, 500–502; 297/411.42, 411.43, 297/445.1, 446.1, 452.63

See application file for complete search history.

(56) **References Cited**

**U.S. PATENT DOCUMENTS**

|              |         |              |        |
|--------------|---------|--------------|--------|
| D142,758 S   | 7/1945  | Weill        |        |
| D180,558 S   | 7/1957  | Jiranek      |        |
| D263,008 S * | 2/1982  | Dowse        | D6/375 |
| D277,346 S   | 1/1985  | Steinberger  |        |
| D312,005 S   | 11/1990 | Snodgrass    |        |
| D339,007 S   | 9/1993  | Grosfillex   |        |
| D383,616 S   | 9/1997  | Caldwell     |        |
| 5,769,500 A  | 6/1998  | Holbrook     |        |
| D409,408 S   | 5/1999  | James et al. |        |
| D431,121 S   | 9/2000  | Matthew      |        |
| D446,959 S   | 8/2001  | Cramer       |        |
| D449,745 S * | 10/2001 | Slear        | D6/370 |

|              |         |                    |        |
|--------------|---------|--------------------|--------|
| D459,101 S   | 6/2002  | Pluer              |        |
| D478,429 S   | 8/2003  | Caldwell           |        |
| D489,543 S   | 5/2004  | Homestead          |        |
| D491,382 S   | 6/2004  | Caldwell           |        |
| 6,752,458 B1 | 6/2004  | Rivera             |        |
| D495,156 S * | 8/2004  | Gower              | D6/370 |
| D498,938 S * | 11/2004 | Kingsley et al.    | D6/370 |
| D502,333 S * | 3/2005  | Tseng              | D6/376 |
| 6,877,443 B2 | 4/2005  | Rivera et al.      |        |
| D512,234 S   | 12/2005 | Spector et al.     |        |
| D516,832 S   | 3/2006  | Schweikarth et al. |        |
| 7,175,232 B2 | 2/2007  | Rivera             |        |
| D547,083 S * | 7/2007  | Wang               | D6/375 |
| D557,920 S   | 12/2007 | Homestead et al.   |        |
| D572,915 S   | 7/2008  | Doughty            |        |
| D574,161 S * | 8/2008  | Sneujink et al.    | D6/379 |

\* cited by examiner

*Primary Examiner*—Mimosa De

(74) *Attorney, Agent, or Firm*—Westman, Champlin & Kelly, P.A.; Z. Peter Sawicki

(57) **CLAIM**

The ornamental design for a chair construction, as shown and described.

**DESCRIPTION**

FIG. 1 is a perspective view of a chair construction of the present invention;

FIG. 2 is a back side view thereof;

FIG. 3 is a front view thereof;

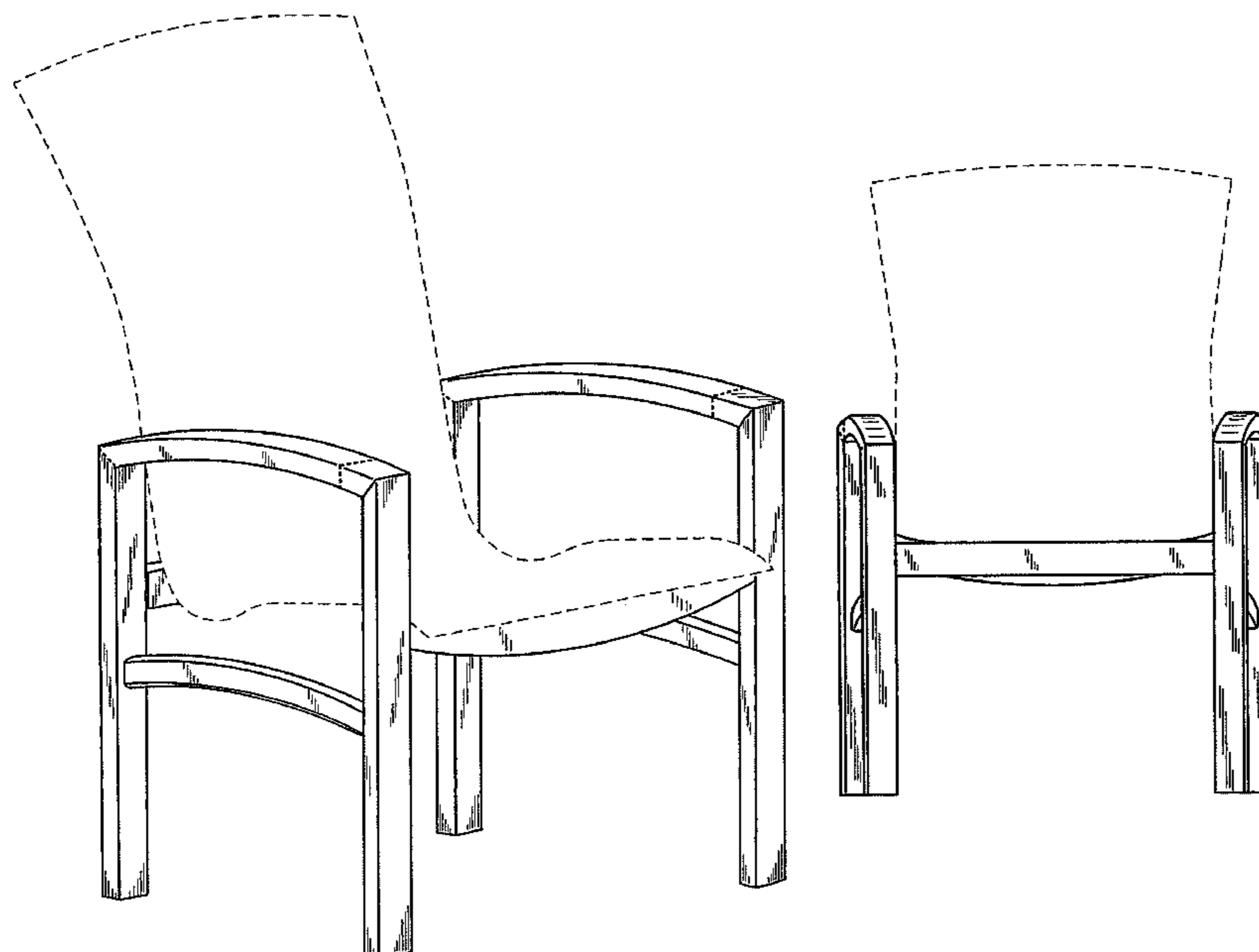
FIG. 4 is a left plan view thereof;

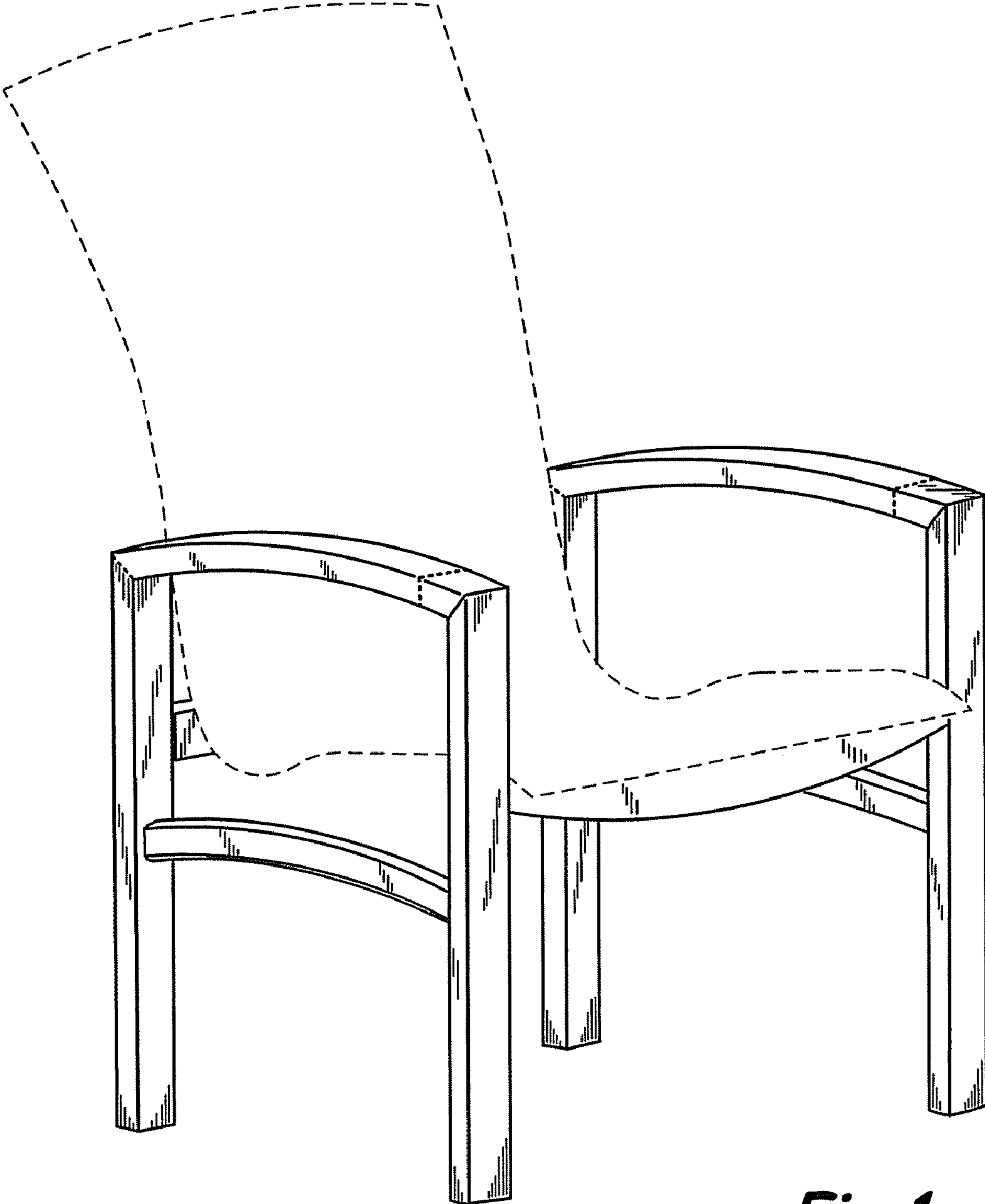
FIG. 5 is a right plan view thereof;

FIG. 6 is a bottom plan view thereof; and,

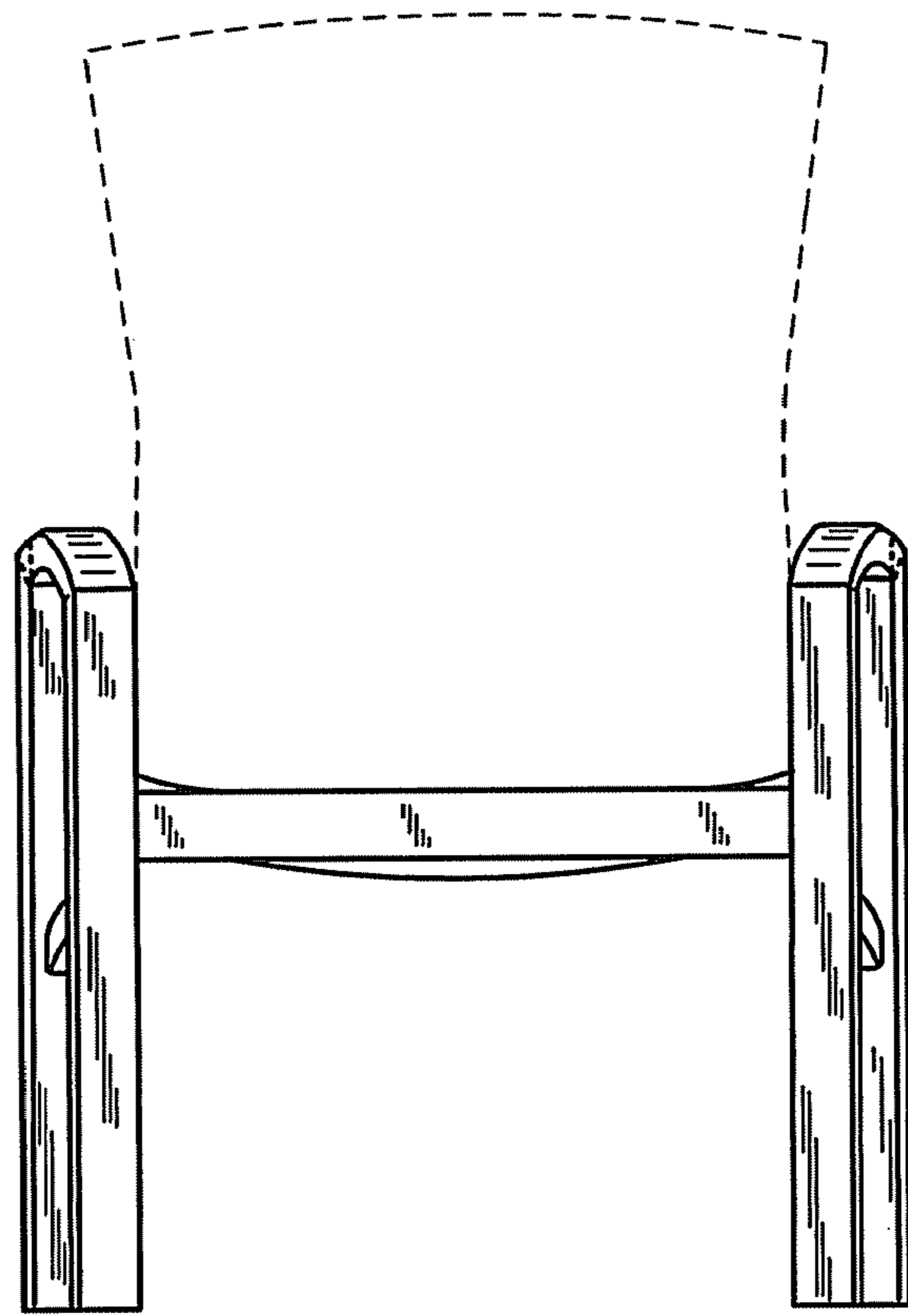
FIG. 7 is a top plan view.

**1 Claim, 4 Drawing Sheets**

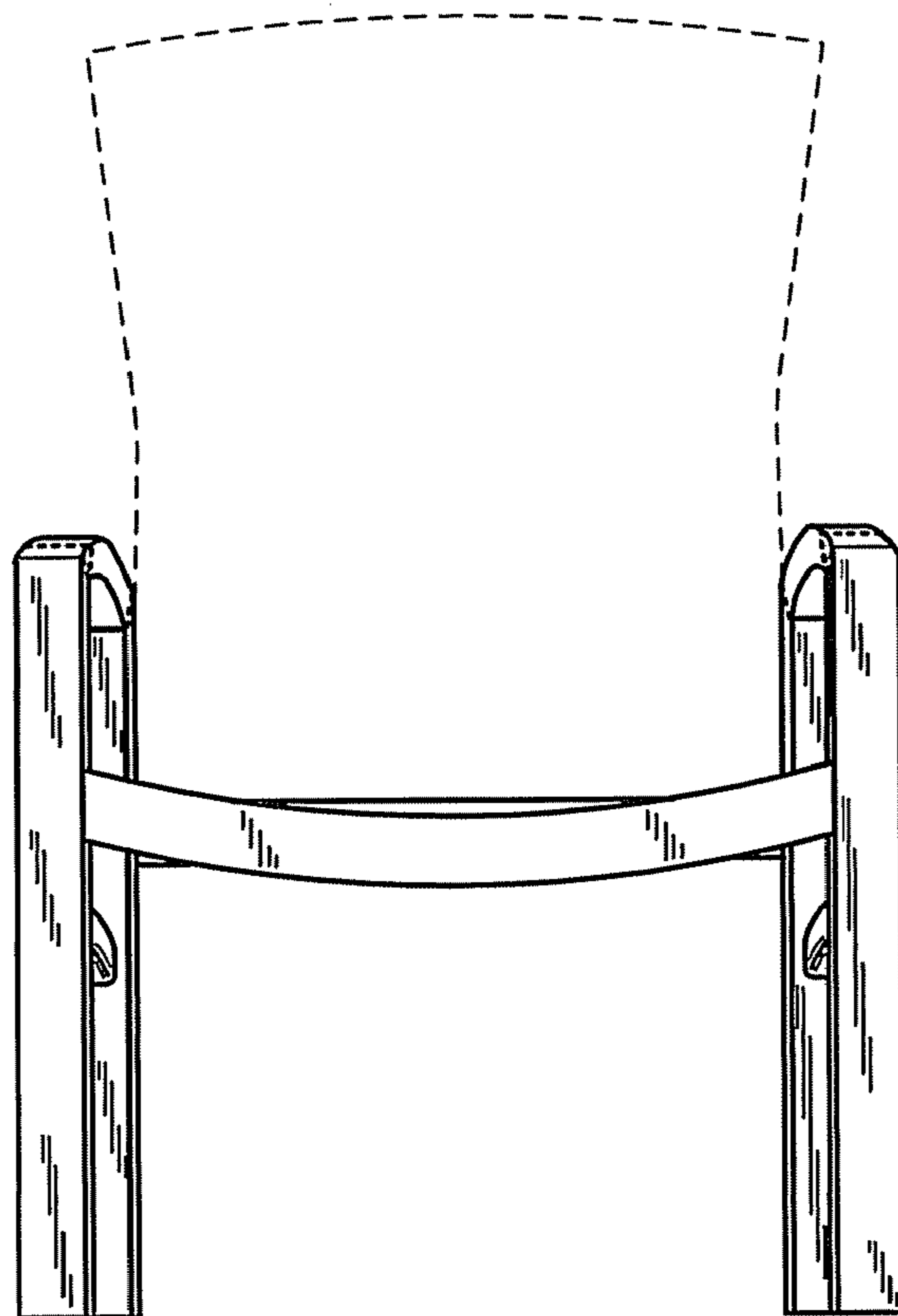




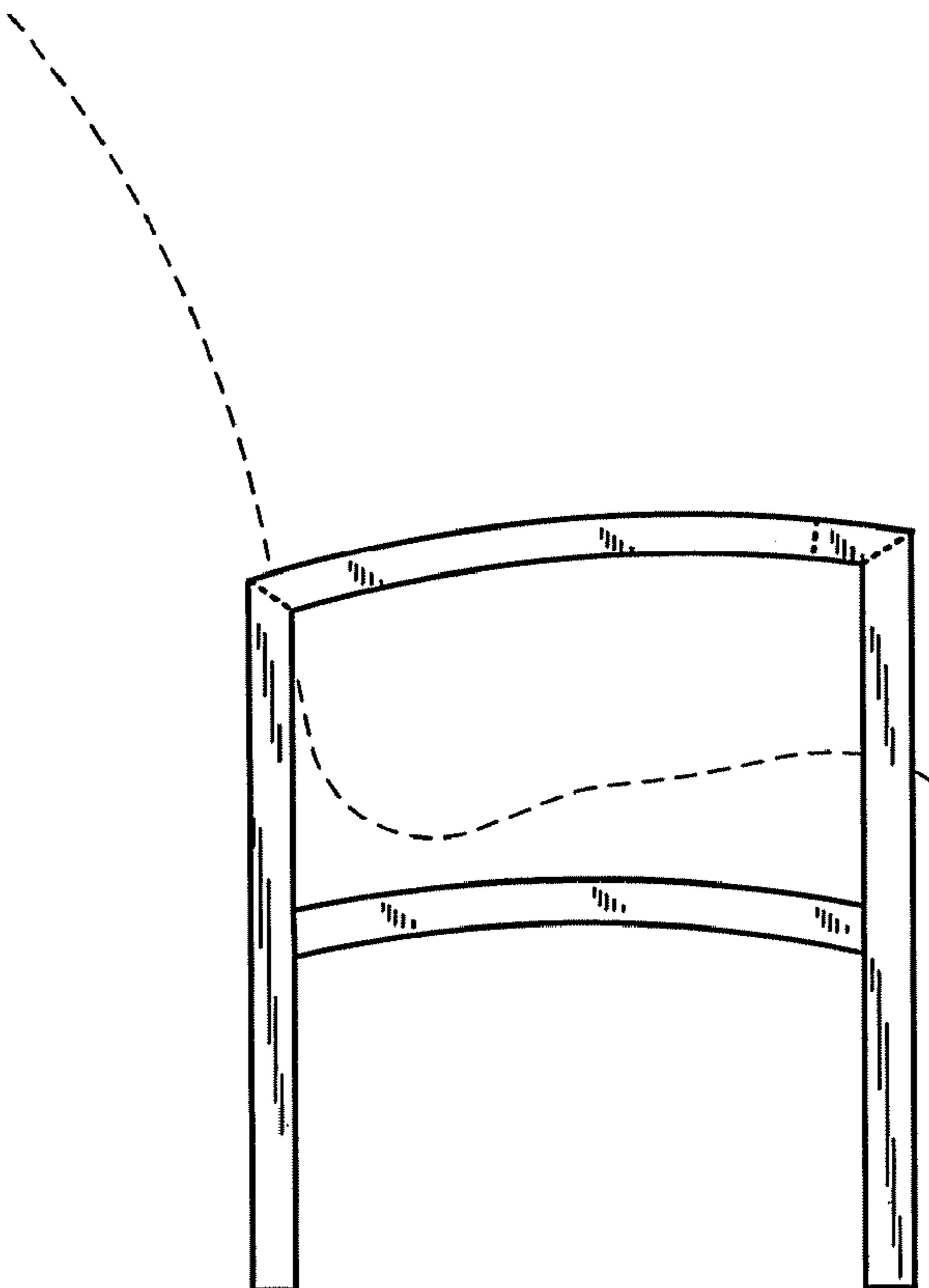
*Fig. 1*



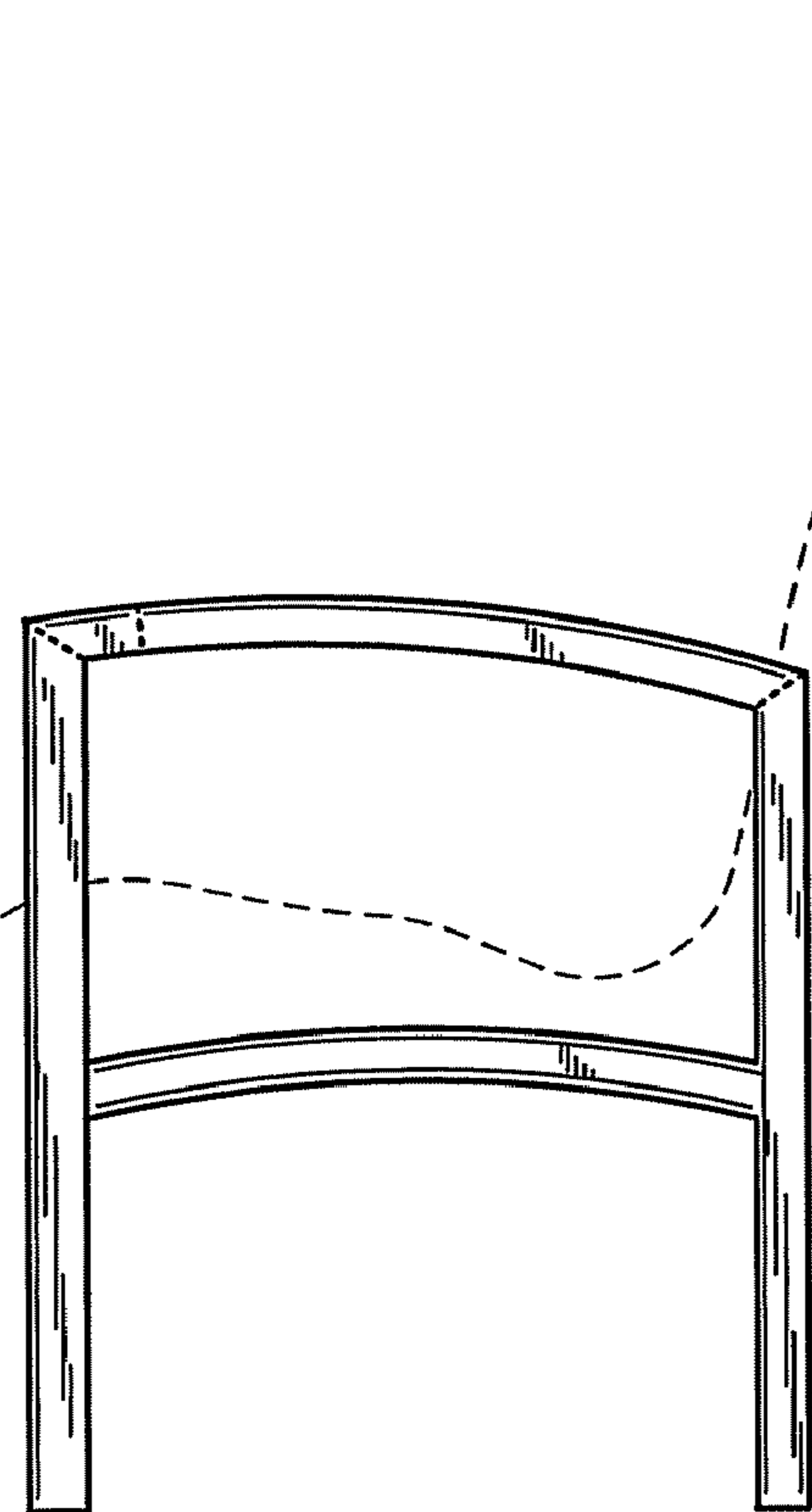
*Fig. 2*



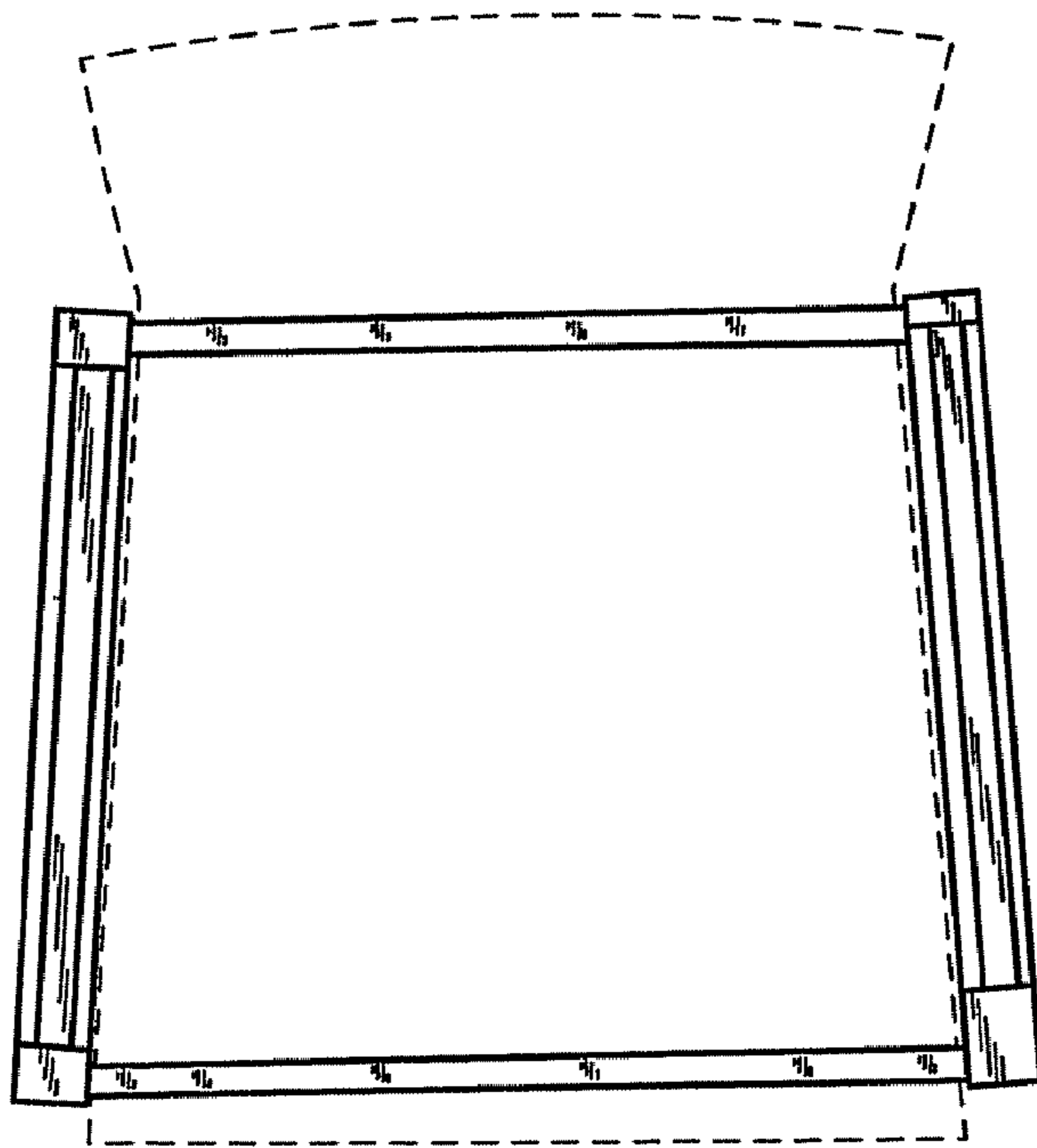
*Fig. 3*



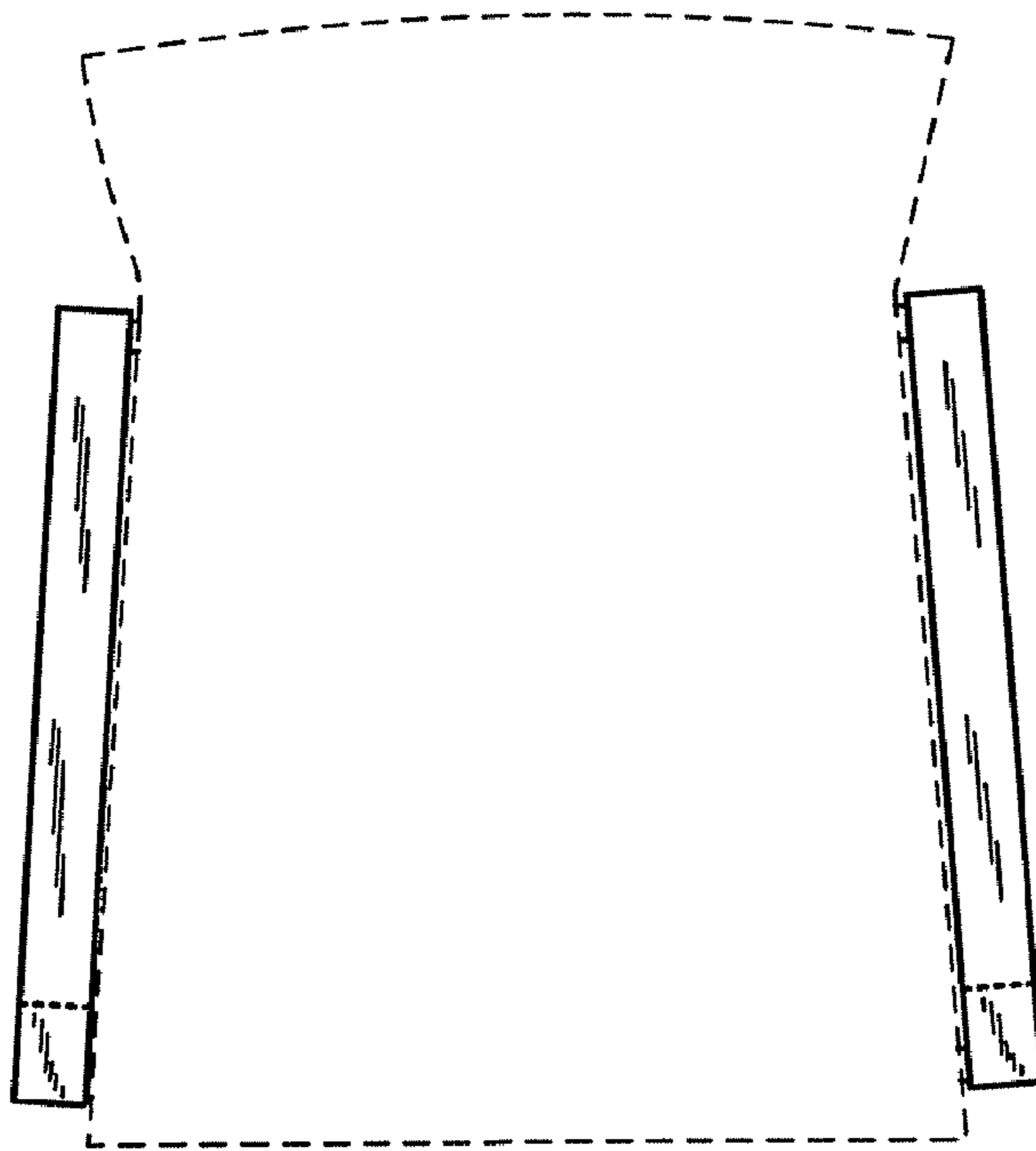
*Fig. 4*



*Fig. 5*



*Fig. 6*



*Fig. 7*