



US00D600047S

(12) **United States Design Patent**
Thompson et al.

(10) **Patent No.:** **US D600,047 S**
(45) **Date of Patent:** **** Sep. 15, 2009**

(54) **DISPLAY CASE WITH SIMULATED ACTUAL OBJECT**

(75) Inventors: **John E. Thompson**, 200 - 27th St., Spirit Lake, IA (US) 51360; **Erik Holmen**, Sarasota, FL (US)

(73) Assignee: **John E. Thompson**, Spirit Lake, IA (US)

(**) Term: **14 Years**

(21) Appl. No.: **29/321,665**

(22) Filed: **Jul. 21, 2008**

(51) **LOC (9) Cl.** **06-07**

(52) **U.S. Cl.** **D6/450**

(58) **Field of Classification Search** D6/450, D6/466, 470; 2/172, 181, 244, 200.3; D2/878, D2/882, 67, 891, 872, 866, 884; D21/635
See application file for complete search history.

(56) **References Cited**

U.S. PATENT DOCUMENTS

D29,052 S	7/1898	Duke	
1,534,652 A	4/1925	Lorenz	
D136,499 S *	10/1943	Cookman	D2/882
D247,168 S	2/1978	Mattocks	
D273,576 S	4/1984	Millan-Perichon	
4,879,145 A	11/1989	McLellan et al.	
D315,323 S	3/1991	Bailey	
5,118,171 A	6/1992	Ortiz	
D335,784 S	5/1993	Guilfoil, Sr.	
D384,489 S *	10/1997	Ethier	D2/884
D442,117 S	5/2001	Himmelwright et al.	
D471,840 S	3/2003	Sylvester	
D491,490 S	6/2004	Real	
D503,842 S	4/2005	Barnes	
D516,951 S	3/2006	Venick	

D544,252 S	6/2007	Grandstaff	
D547,031 S	7/2007	Fennell et al.	
D549,032 S	8/2007	Goudeau	
D554,021 S	10/2007	Franklin	
D590,136 S *	4/2009	Campos et al.	D2/882

OTHER PUBLICATIONS

http://www.quartermastershop.com/CW%20Caps/civil_war_caps.htm; Apr. 14, 2009.*

* cited by examiner

Primary Examiner—Caron Veynar

Assistant Examiner—Sydney R Buffalow

(74) *Attorney, Agent, or Firm*—McKee, Voorhees & Sease, P.L.C.

(57) **CLAIM**

We claim the ornamental design for a display case with simulated actual object, substantially as shown and described.

DESCRIPTION

FIG. 1 is a perspective view of the claimed design.

FIG. 2 is a front elevational view of FIG. 1.

FIG. 3 is a back elevational view of FIG. 1.

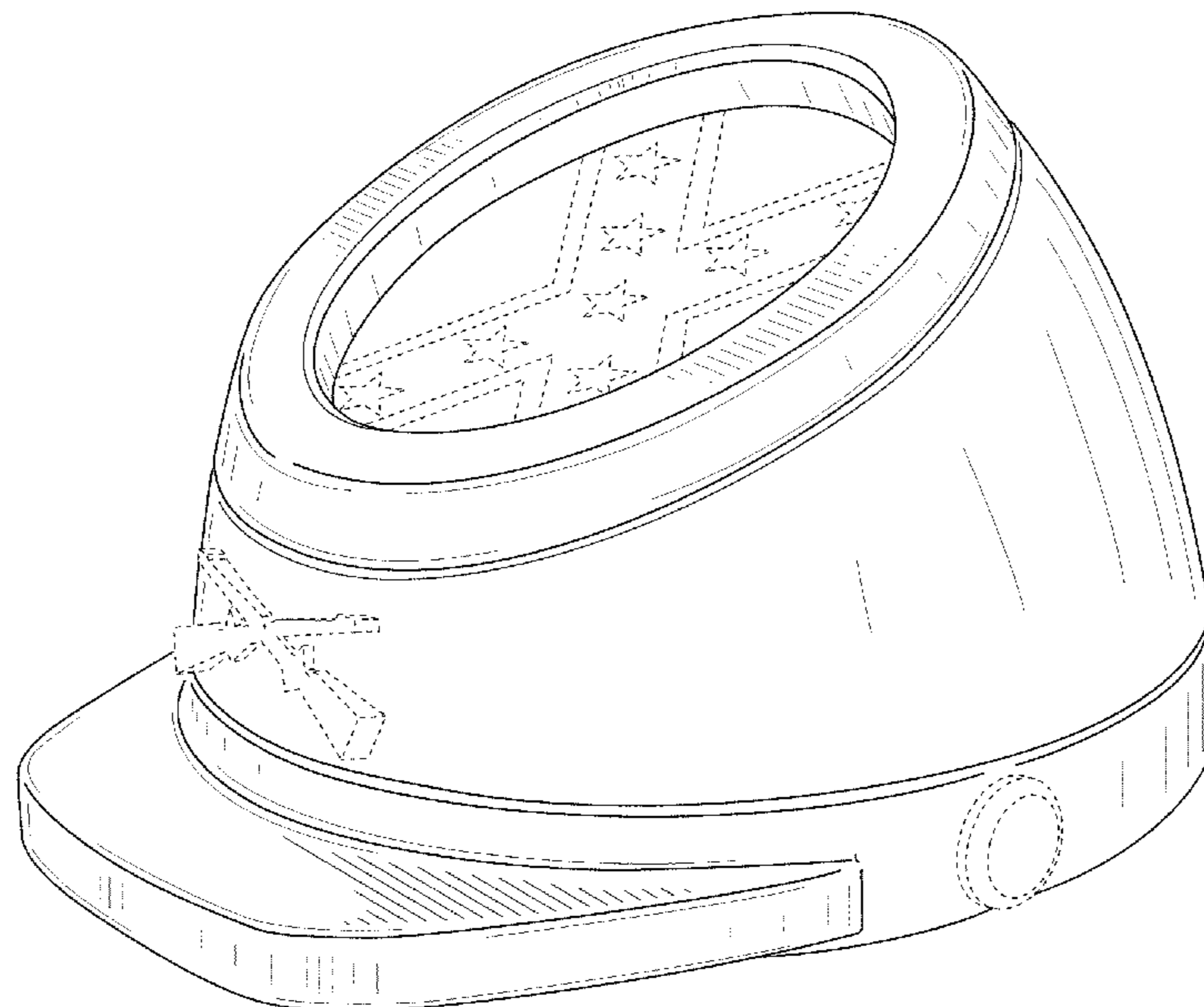
FIG. 4 is a right side elevational view of FIG. 1. The other side is a mirror image of FIG. 4.

FIG. 5 is a top plan view of FIG. 1; and,

FIG. 6 is a bottom plan view of FIG. 1.

The broken line showing of a symbol or graphic within the display case top ring in FIGS. 1, 2, and 5, of a raised symbol on the front vertical surface in FIGS. 1, 2, and 5, and of the raised button or buttons on the lower side or sides in FIGS. 1, 2, 3, 4, 5 and 6 is for the purpose of illustrating optional exemplary environmental structure and forms no part of the claimed design.

1 Claim, 5 Drawing Sheets



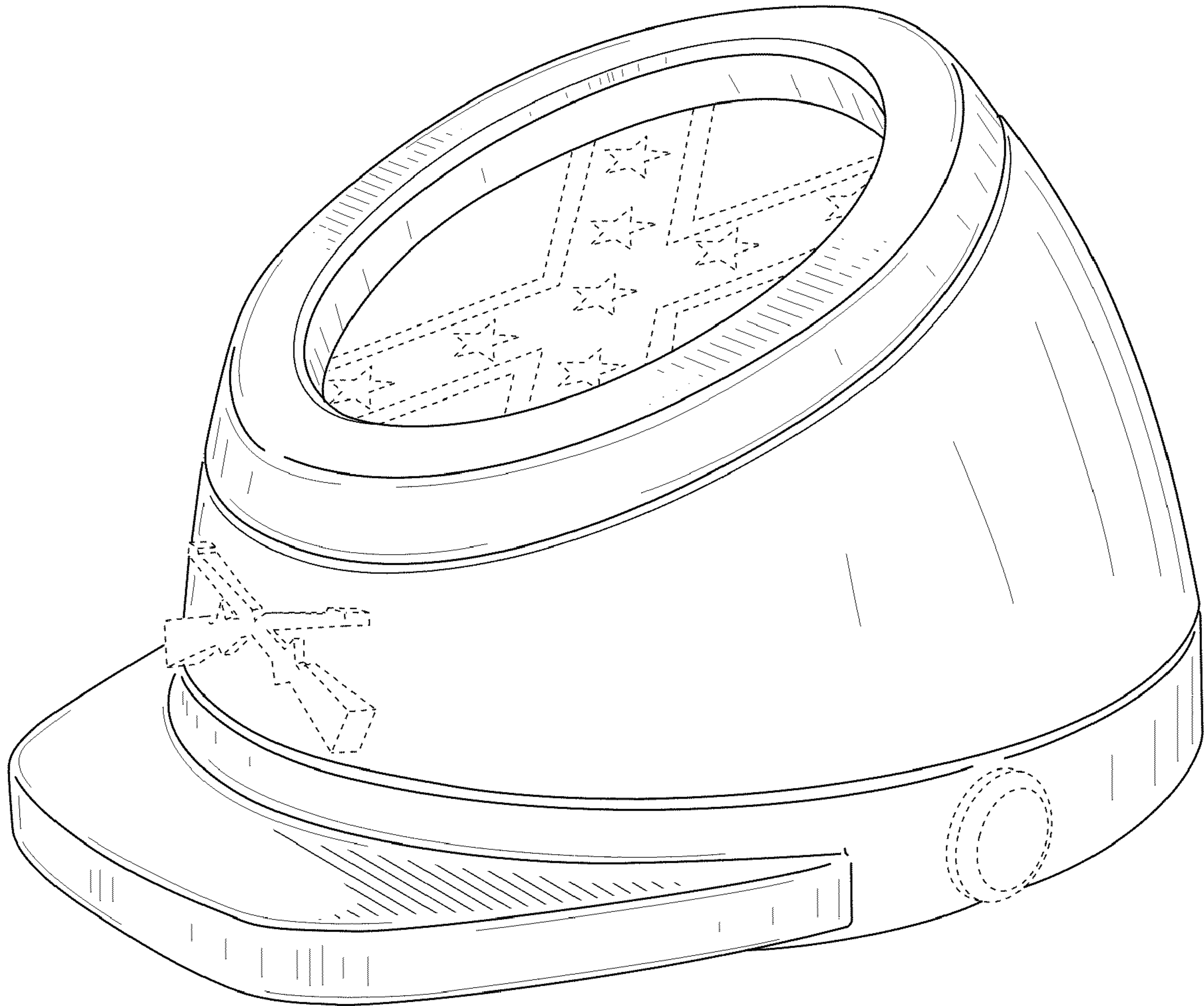


FIG. 1

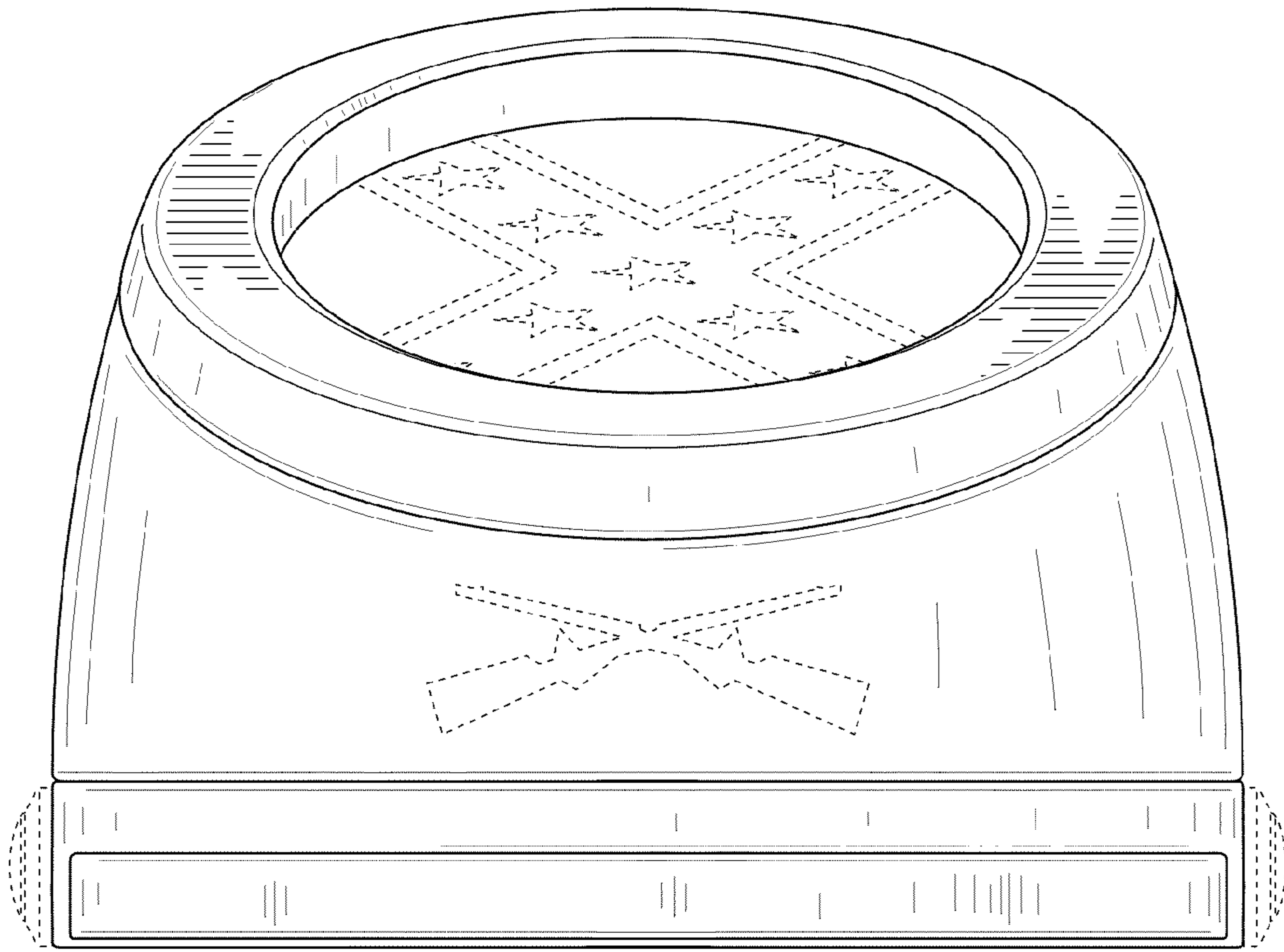


FIG. 2

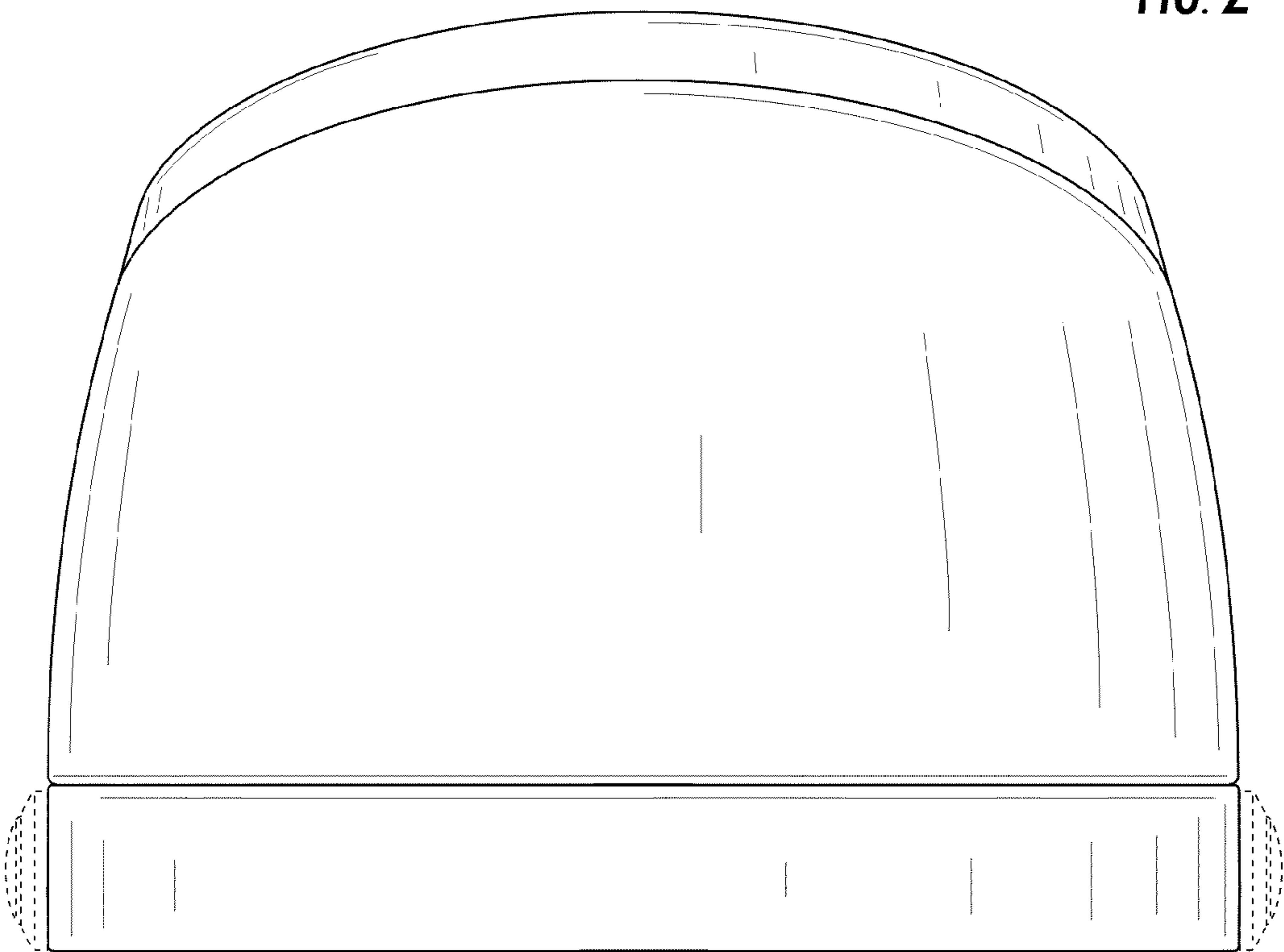


FIG. 3

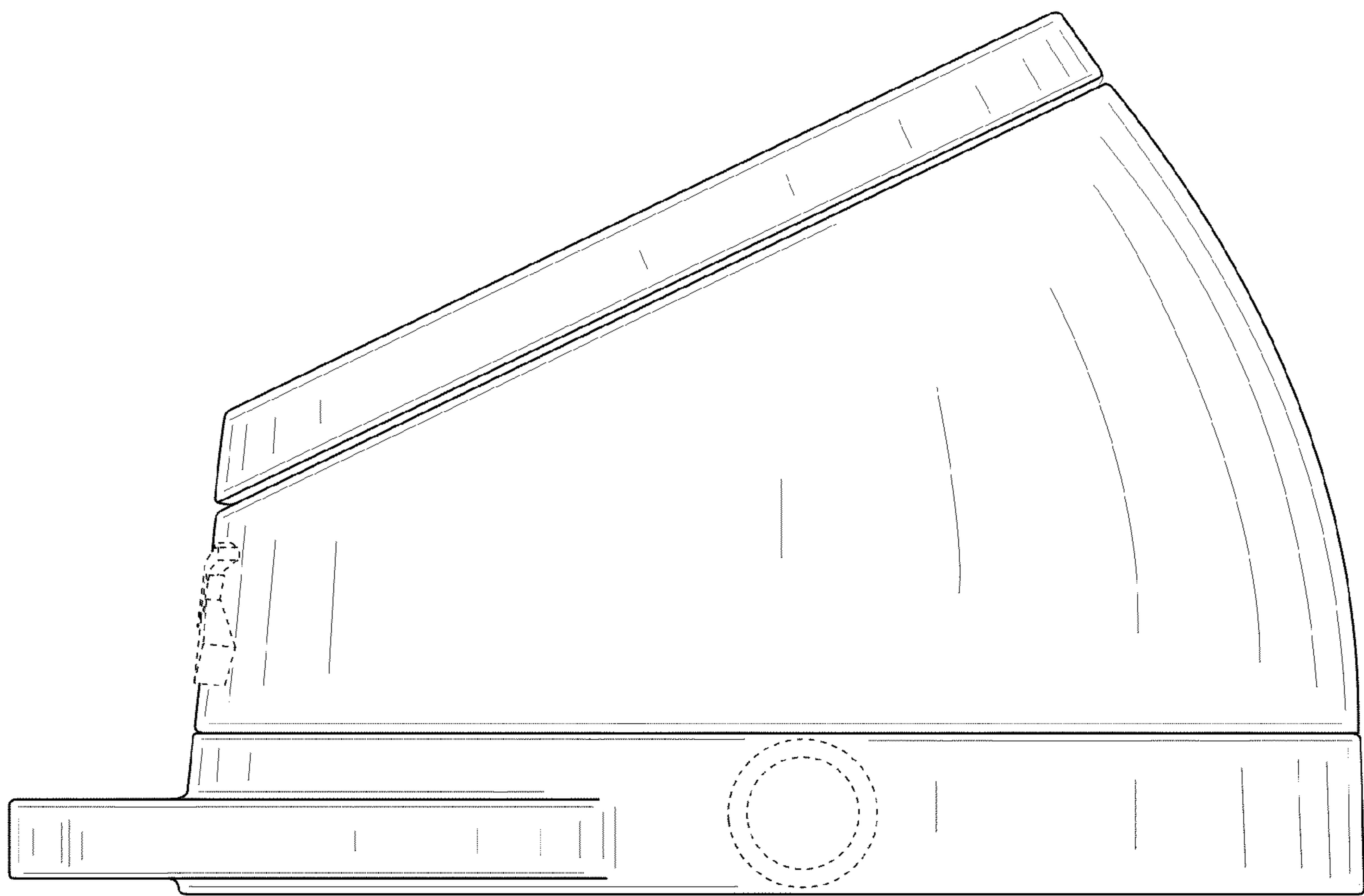


FIG. 4

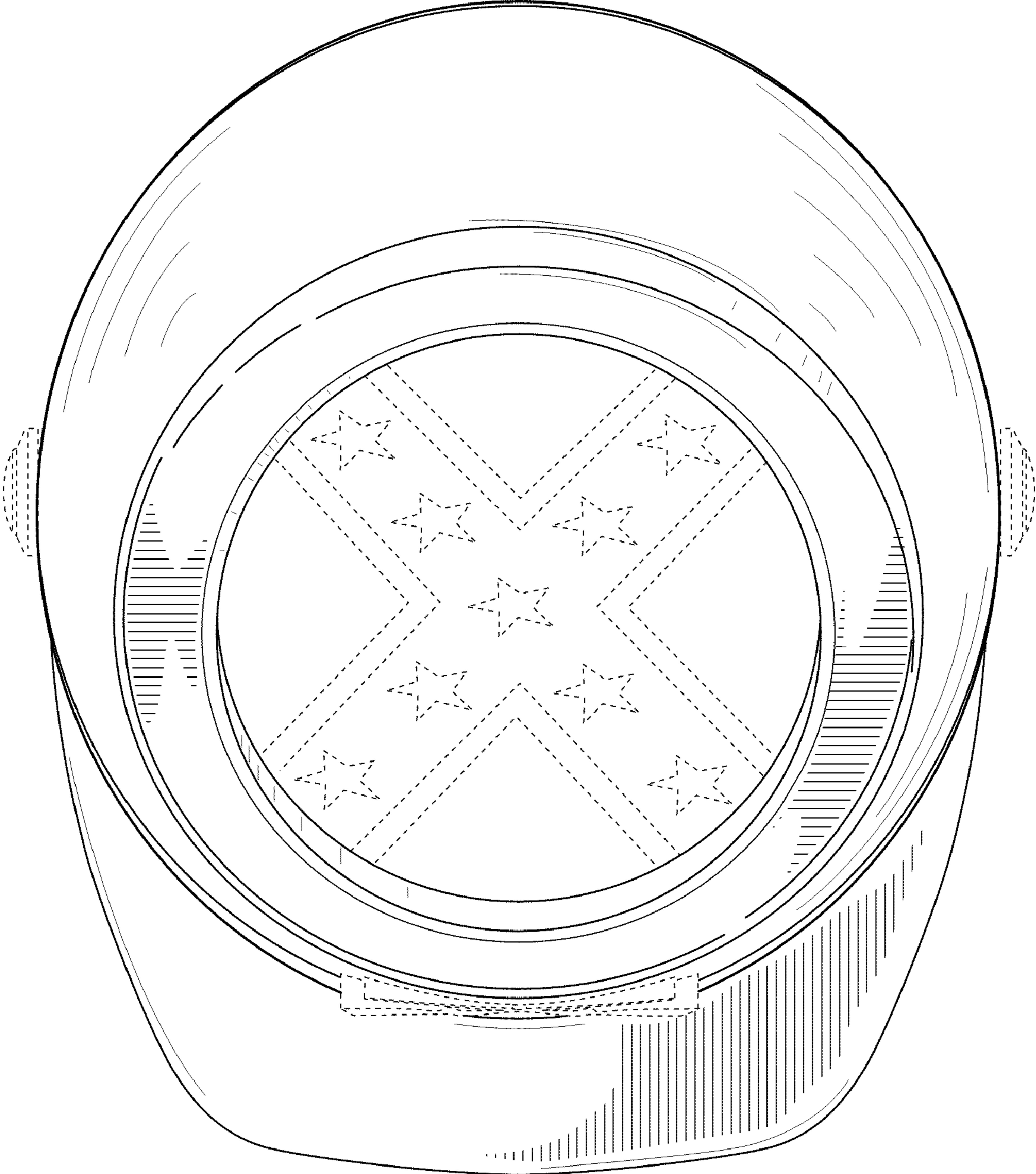


FIG. 5

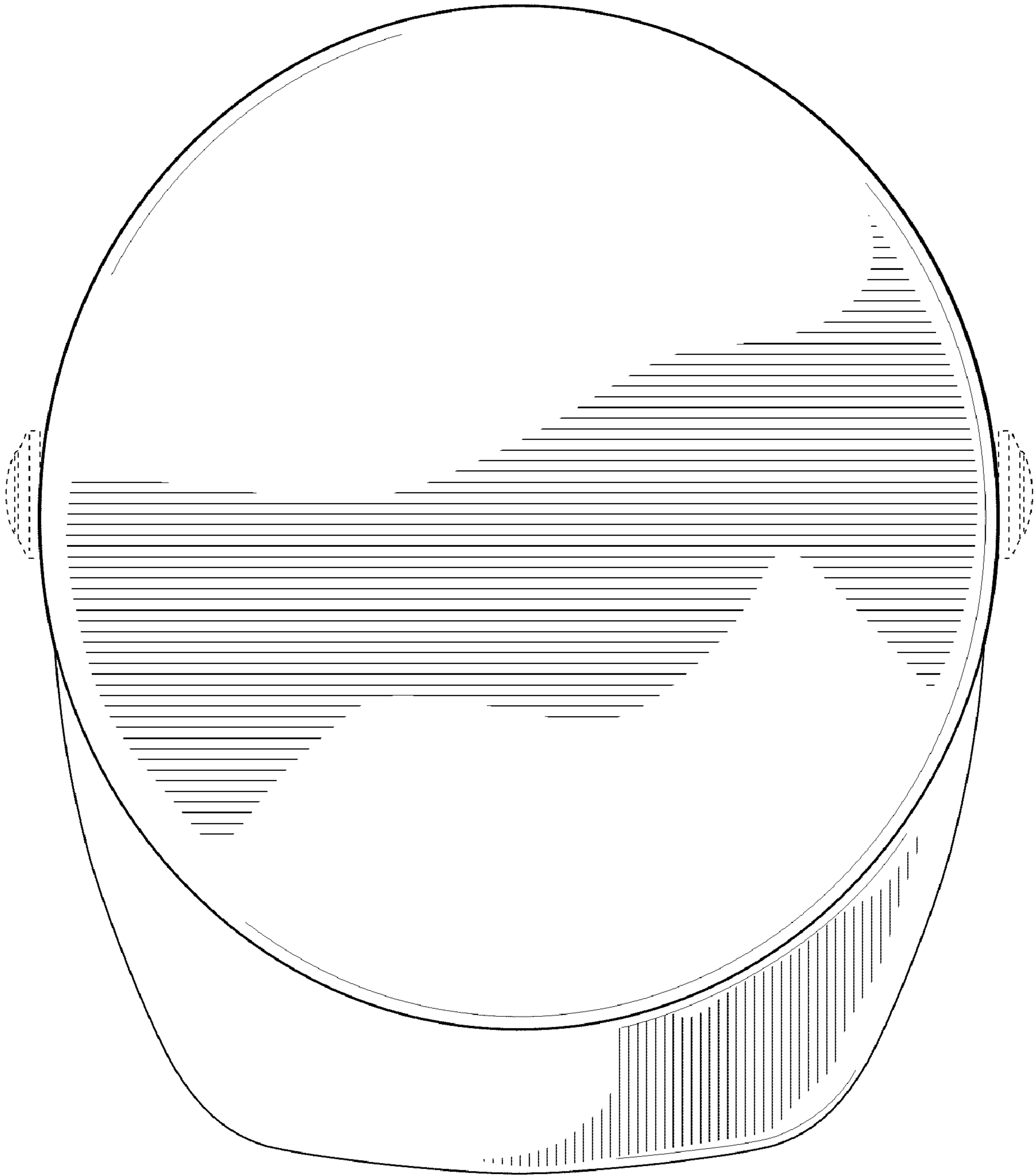


FIG. 6