



US00D600046S

(12) **United States Design Patent**
Kelsen

(10) **Patent No.:** **US D600,046 S**

(45) **Date of Patent:** **** Sep. 15, 2009**

(54) **VIDEO DISPLAY STAND FOR SUPPORTING
A VIDEO DISPLAY**

D587,257 S * 2/2009 Morello D14/239

* cited by examiner

(75) Inventor: **Keith Kelsen**, Scotts Valley, CA (US)

Primary Examiner—Caron Veynar

Assistant Examiner—Sydney R Buffalow

(73) Assignee: **MediaTile**, Scotts Valley, CA (US)

(74) *Attorney, Agent, or Firm*—Townsend and Townsend and Crew LLP

(**) Term: **14 Years**

(21) Appl. No.: **29/312,901**

(57) **CLAIM**

(22) Filed: **Nov. 19, 2008**

The ornamental design for a video display stand for supporting a video display, as shown and described.

(51) **LOC (9) Cl.** **06-04**

(52) **U.S. Cl.** **D6/449**

(58) **Field of Classification Search** D6/467,
D6/458, 462, 479, 407, 495, 509, 491, 511,
D6/492, 449; D14/239, 217, 448, 224, 451,
D14/452; 40/606.01, 607.01; 248/129; D20/10
See application file for complete search history.

DESCRIPTION

FIG. 1 is a perspective view of a video display stand for supporting a video display showing my new design;

FIG. 2 is a front plan view thereof;

FIG. 3 is a back plan view thereof;

FIG. 4 is a left plan view thereof;

FIG. 5 is a right plan view thereof;

FIG. 6 is a top plan view thereof; and,

FIG. 7 is a bottom plan view thereof.

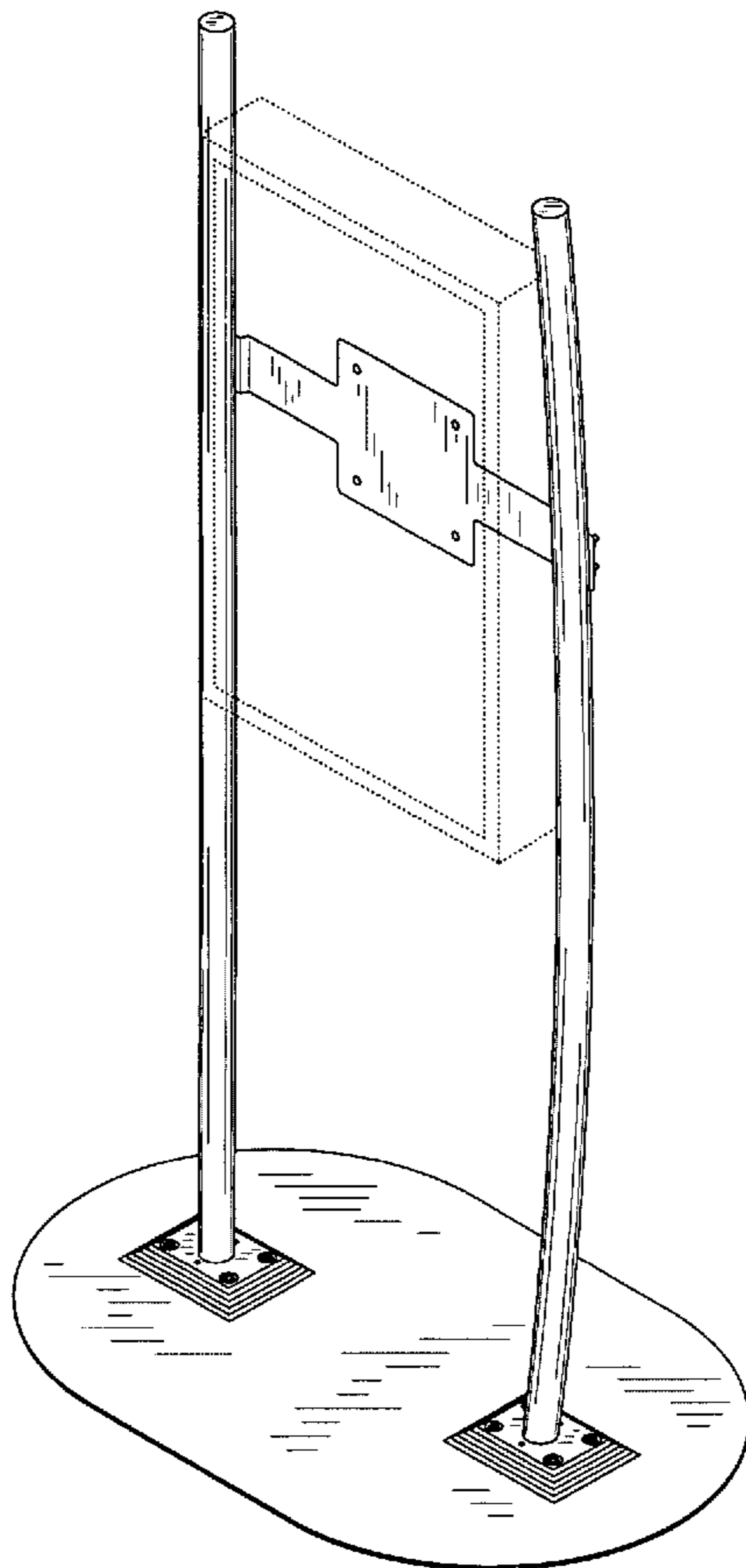
The broken lines are for illustrative purposes only and form no part of the claimed design.

(56) **References Cited**

U.S. PATENT DOCUMENTS

- D434,806 S * 12/2000 Justen et al. D20/10
- 7,261,261 B2 * 8/2007 Ligertwood 248/129
- D587,251 S * 2/2009 Morello D14/239
- D587,252 S * 2/2009 Morello D14/239
- D587,255 S * 2/2009 Morello D14/239

1 Claim, 5 Drawing Sheets



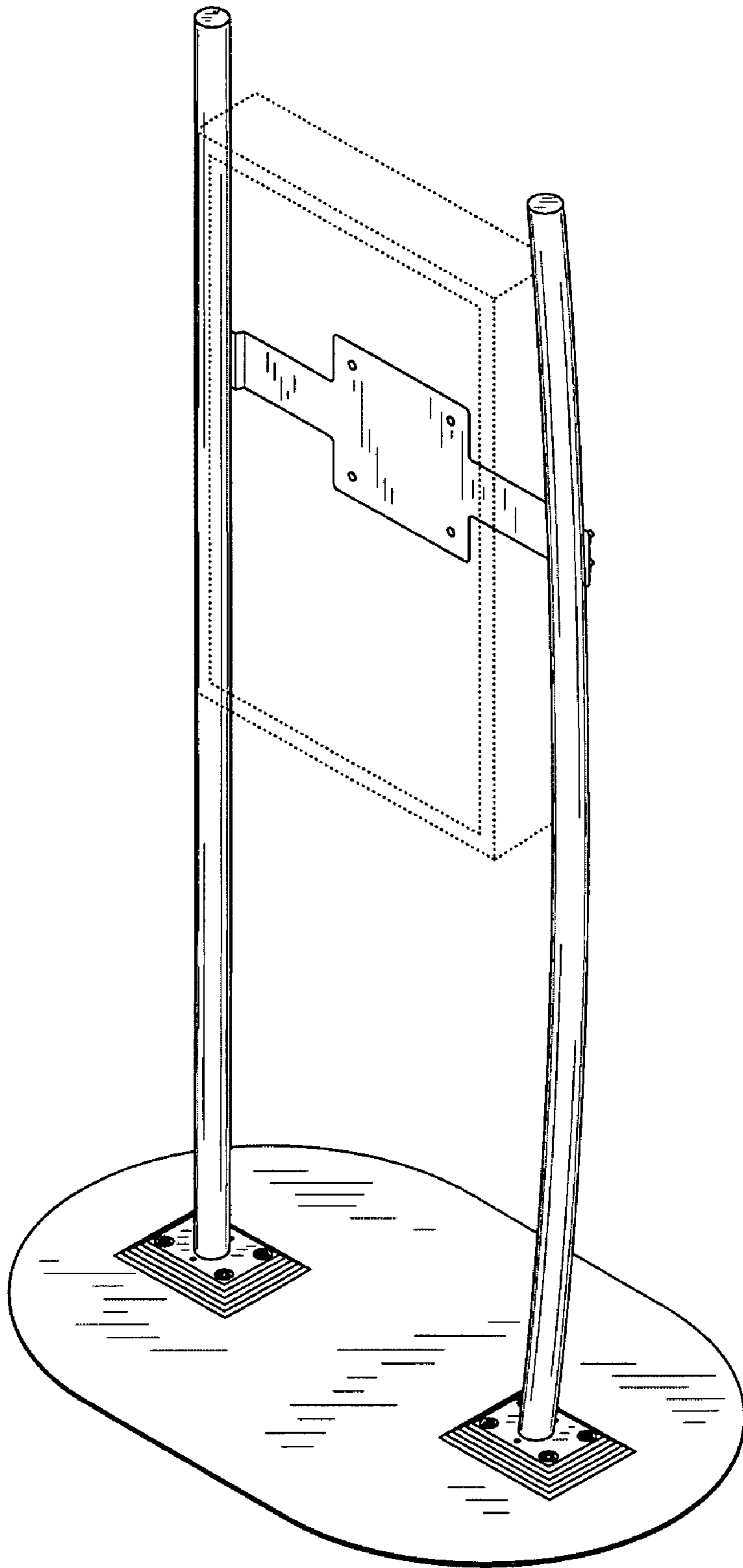


FIG. 1

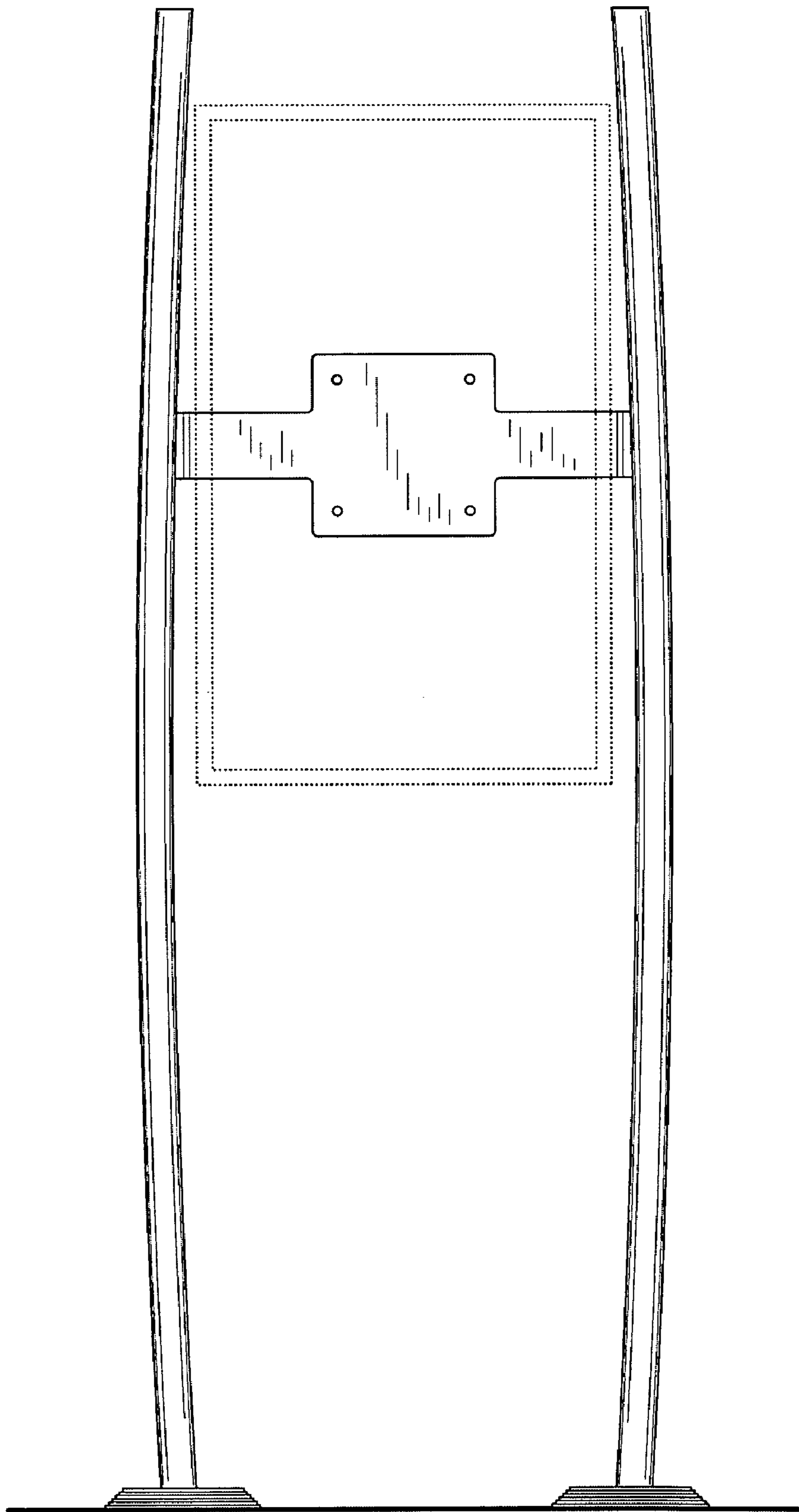


FIG. 2

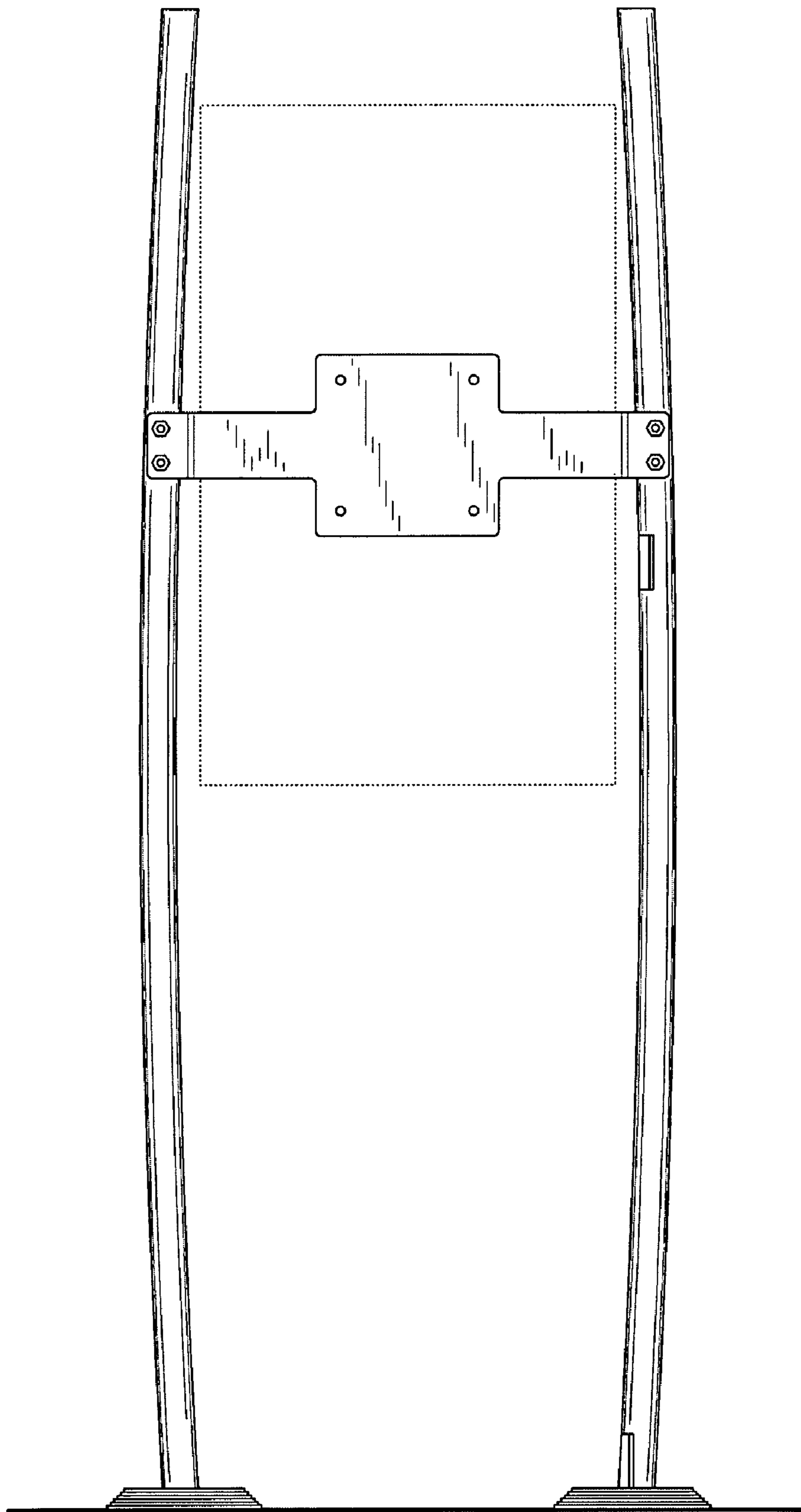


FIG. 3

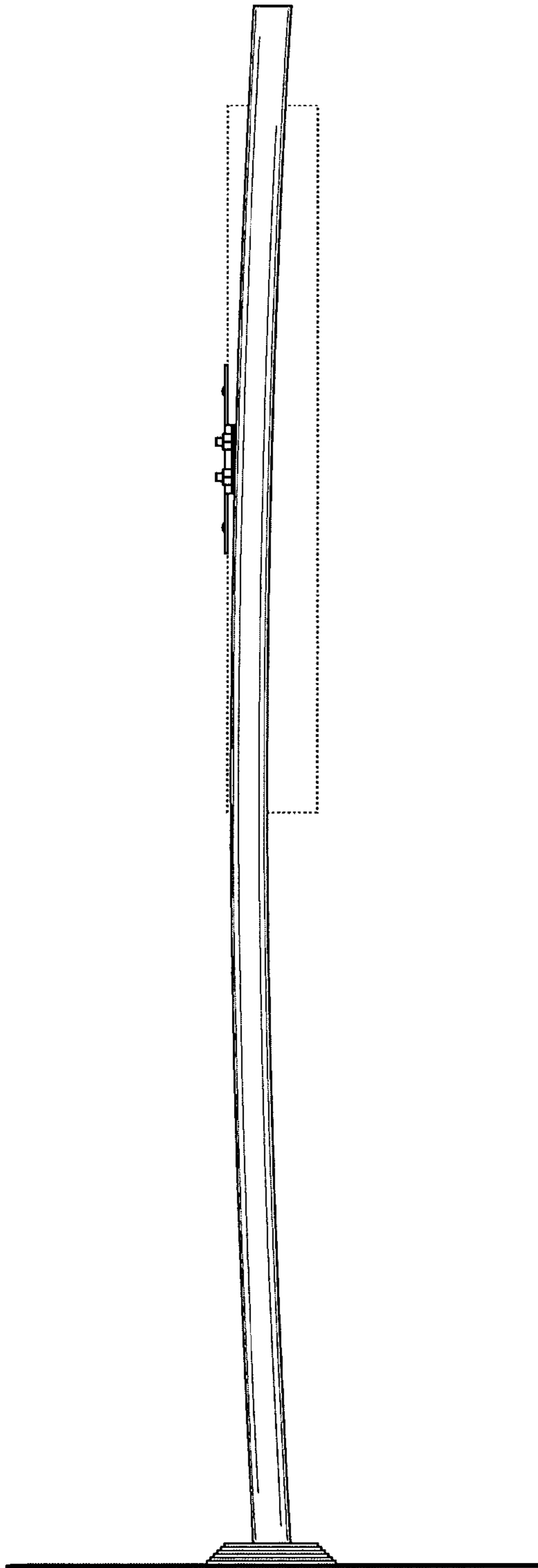


FIG. 4

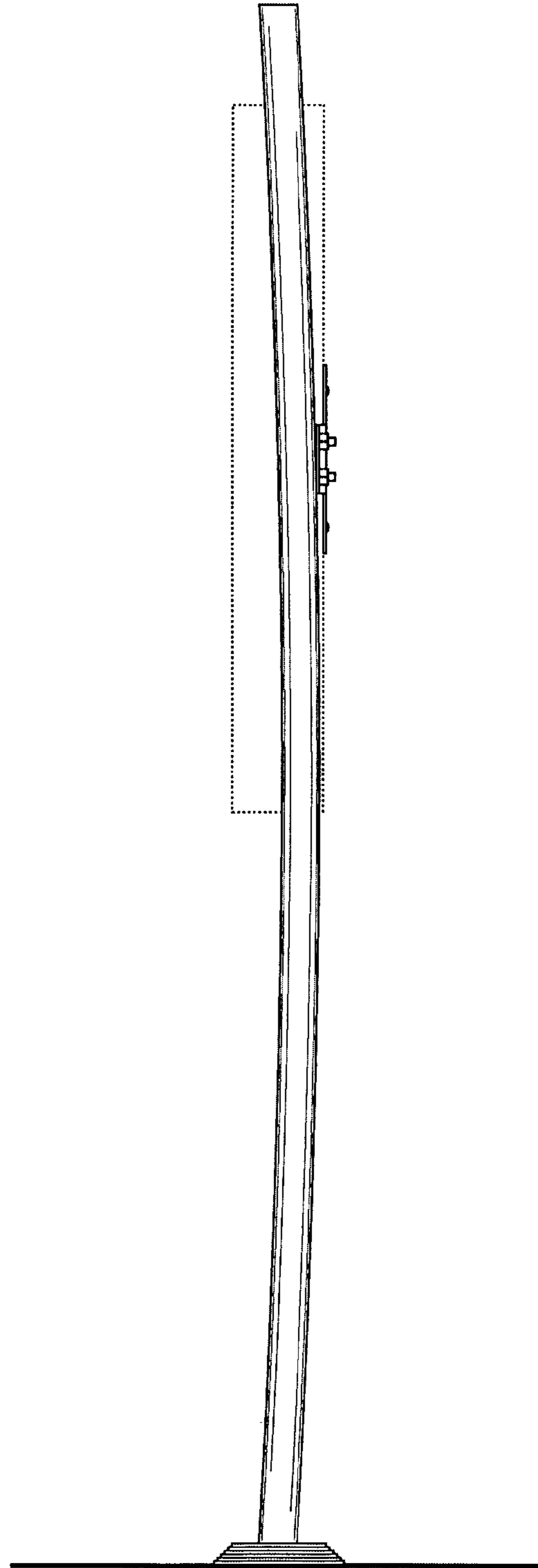


FIG. 5

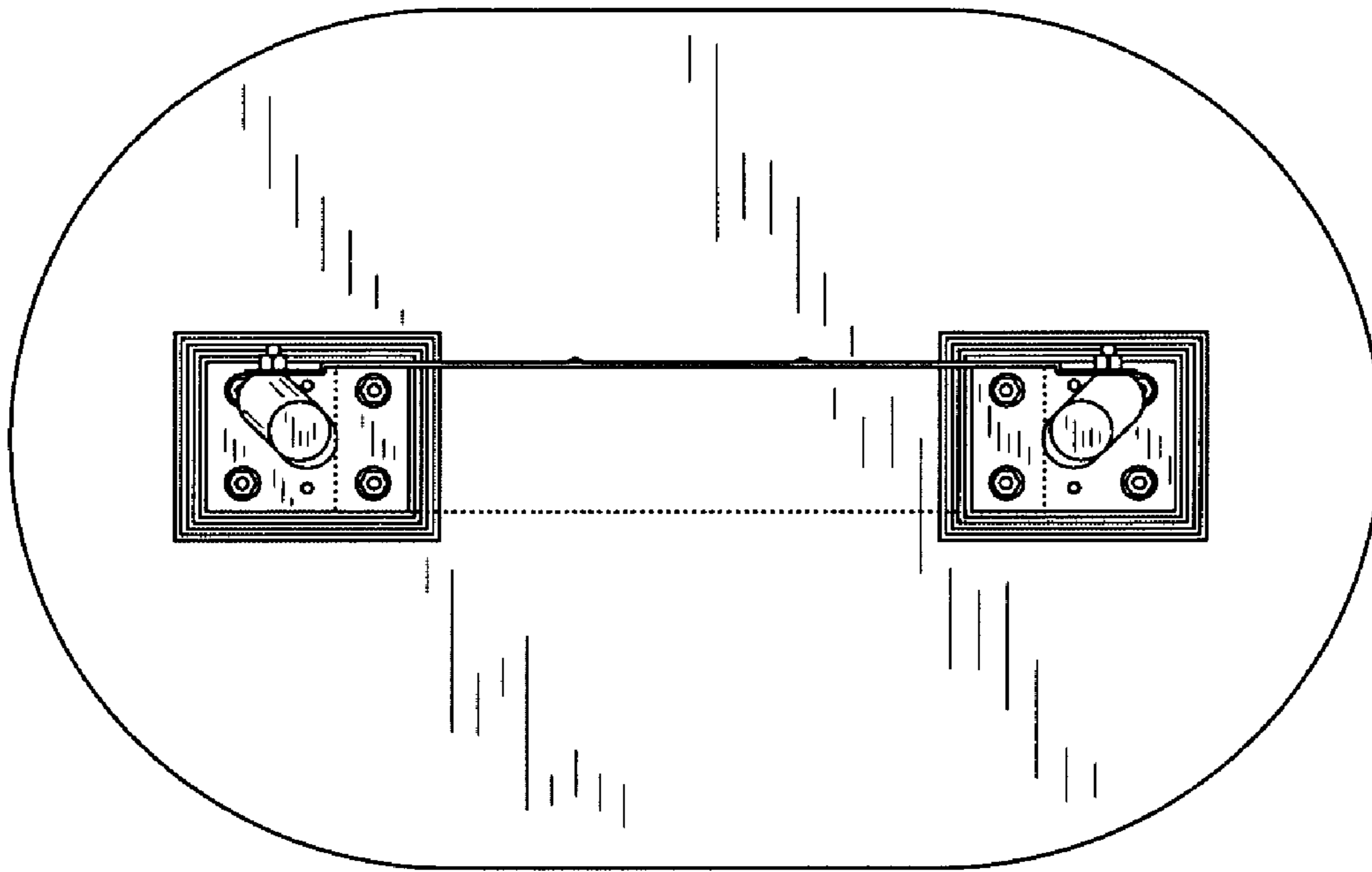


FIG. 6

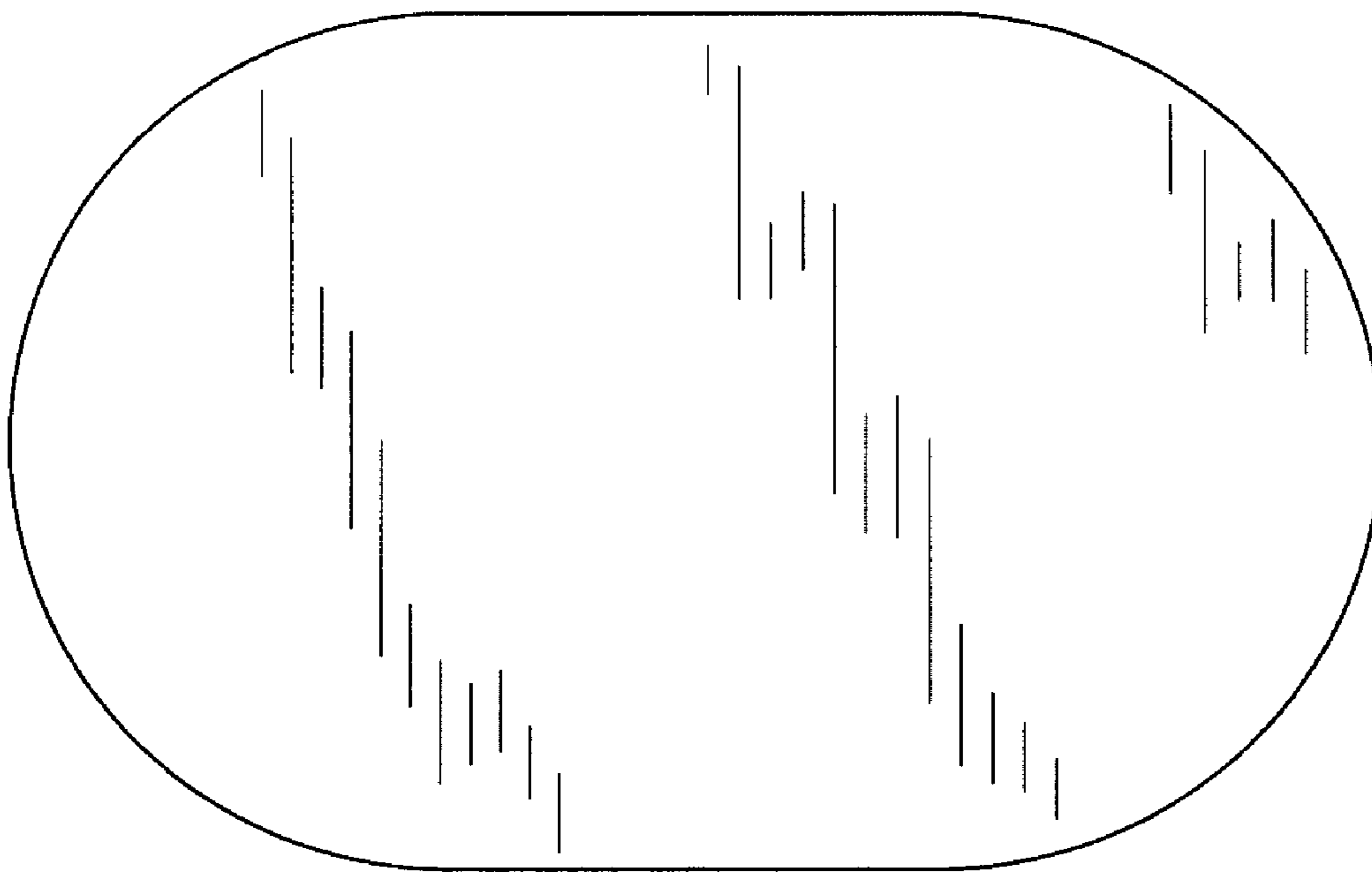


FIG. 7