



US00D600040S

(12) **United States Design Patent**
Natuzzi

(10) **Patent No.:** **US D600,040 S**
(45) **Date of Patent:** **** Sep. 15, 2009**

(54) **SOFA**
(75) **Inventor:** **Pasquale Natuzzi, Bari (IT)**
(73) **Assignee:** **Natuzzi S.p.A. (IT)**
(**) **Term:** **14 Years**

D521,765 S *	5/2006	Natuzzi	D6/381
D540,062 S *	4/2007	Natuzzi	D6/381
D547,084 S *	7/2007	Natuzzi	D6/381
D549,483 S *	8/2007	Natuzzi	D6/381
D576,819 S *	9/2008	Natuzzi	D6/381
D578,798 S *	10/2008	Ricci	D6/381
D590,175 S *	4/2009	Natuzzi	D6/381
D590,179 S *	4/2009	Natuzzi	D6/381

(21) **Appl. No.:** **29/335,088**
(22) **Filed:** **Apr. 8, 2009**

* cited by examiner

Primary Examiner—Sandra Snapp
(74) *Attorney, Agent, or Firm*—St. Onge Steward Johnston & Reens LLC

(30) **Foreign Application Priority Data**
Oct. 8, 2008 (EM) 001017412-0015

(57) **CLAIM**

(51) **LOC (9) Cl.** **06-01**
(52) **U.S. Cl.** **D6/381**
(58) **Field of Classification Search** D6/334,
D6/349, 355, 364, 370, 374, 378, 381, 382,
D6/383, 491, 495, 500–503; 297/68, 232,
297/233, 353, 445.1, 448.1, 448.2, DIG. 7;
5/12.1, 12.2

The ornamental design for a sofa, as shown and described.

See application file for complete search history.

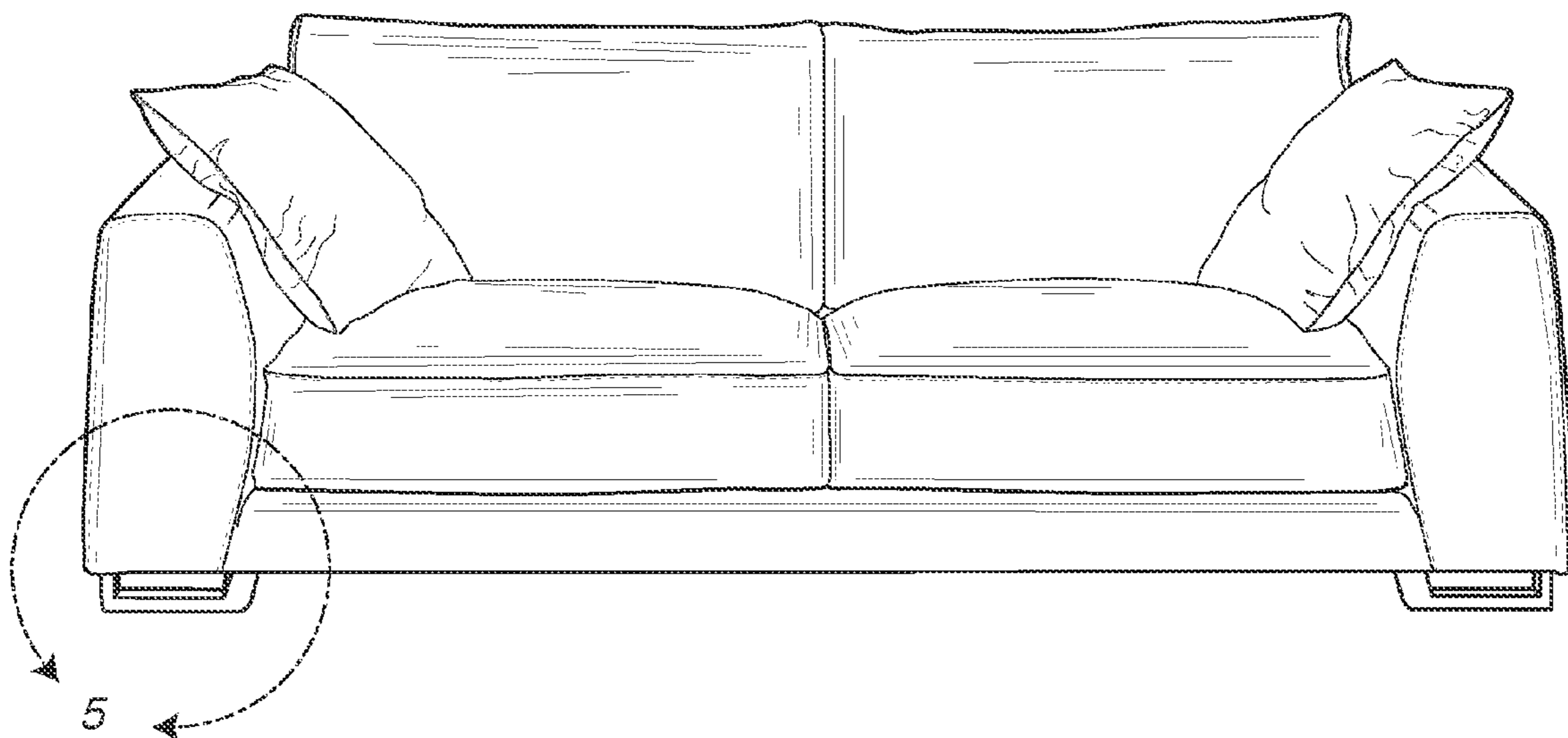
DESCRIPTION

(56) **References Cited**
U.S. PATENT DOCUMENTS
D169,911 S * 6/1953 Netzer D6/381
4,292,698 A * 10/1981 Acker 5/45
D263,770 S * 4/1982 Melchior D6/334
D455,281 S * 4/2002 Andersen et al. D6/381
D489,195 S * 5/2004 Natuzzi D6/381
D490,996 S * 6/2004 Weiss et al. D6/381
D515,334 S * 2/2006 Natuzzi D6/381
D520,260 S * 5/2006 Natuzzi D6/381

FIG. 1 is a front perspective view of a sofa in accordance with the new design;
FIG. 2 is a top perspective view thereof;
FIG. 3 is a side elevation view, an opposite side elevation view being a mirror image thereof;
FIG. 4 is a back perspective view thereof;
FIG. 5 is an enlarged perspective view of the area labeled “5” in FIG. 1; and,
FIG. 6 is front perspective view of a leg of the sofa shown in FIG. 1.

Broken lines shown on the sofa are understood to represent stitching.

1 Claim, 3 Drawing Sheets



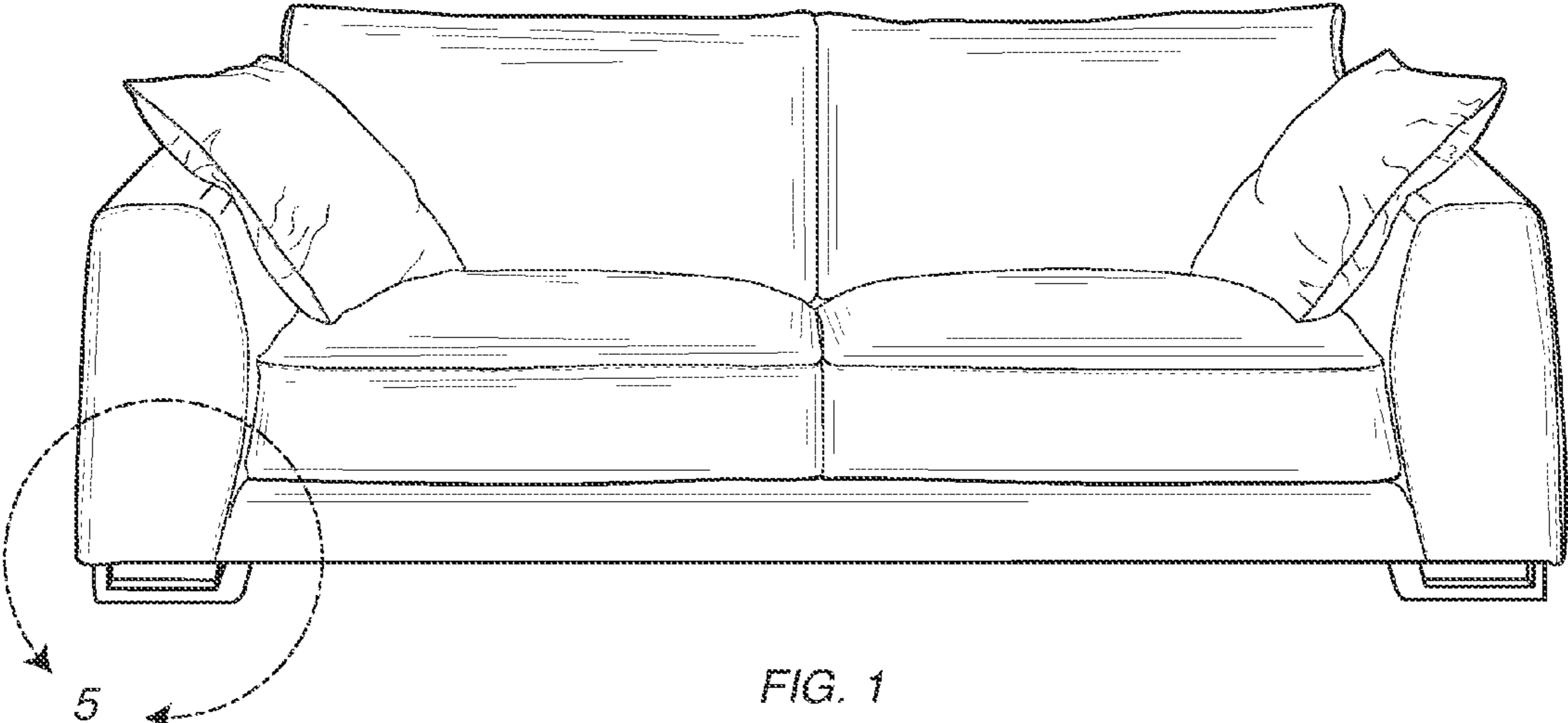


FIG. 1

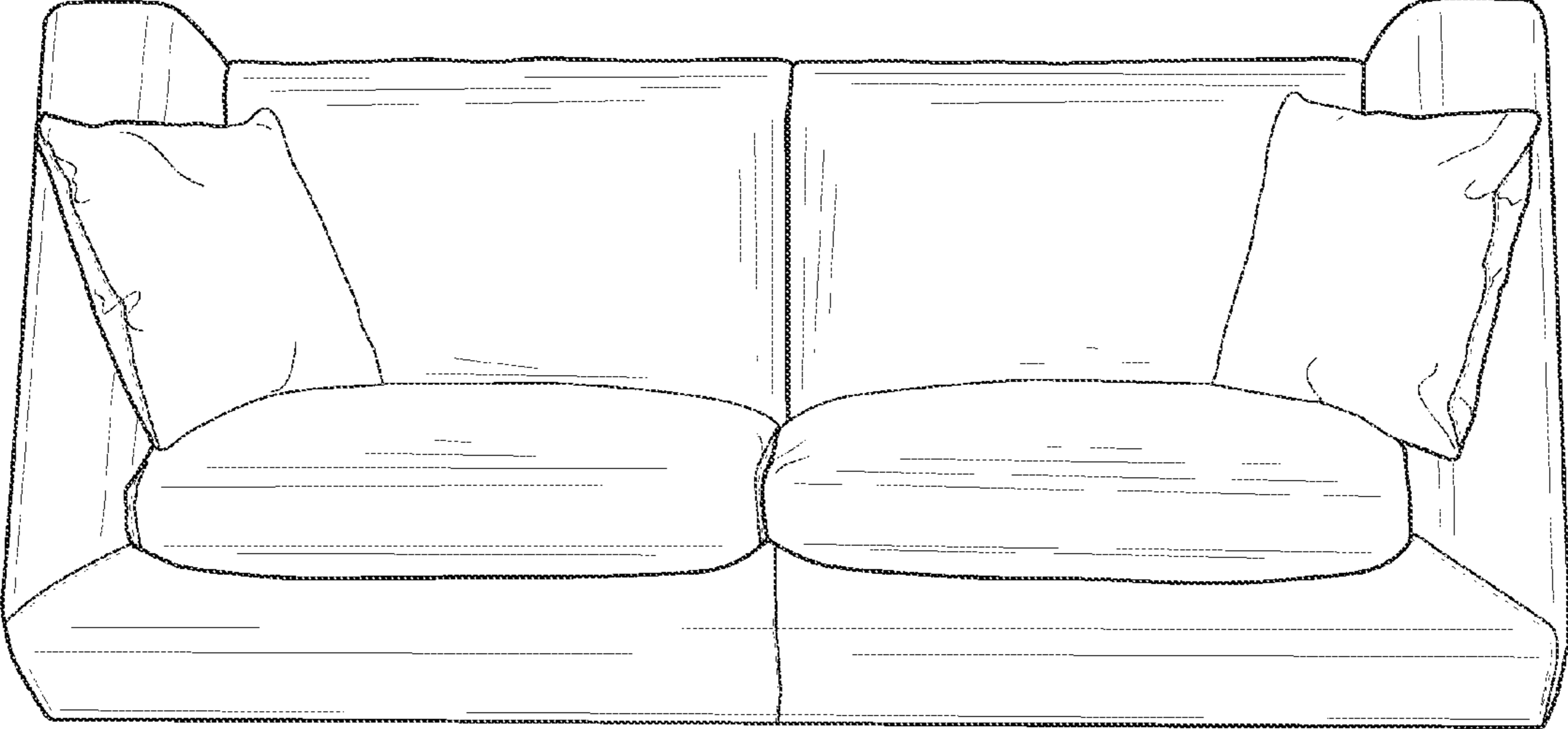


FIG. 2

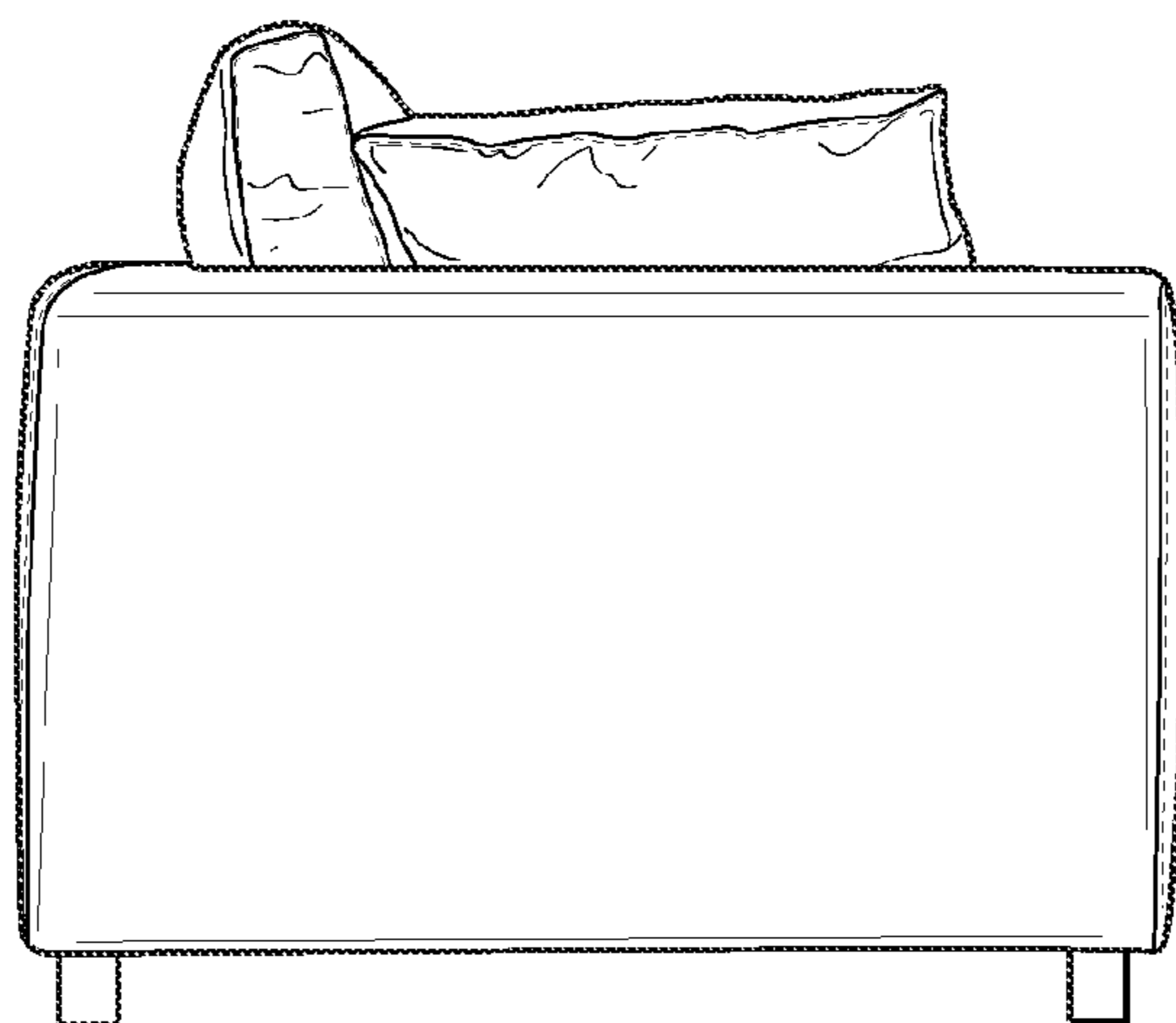


FIG. 3

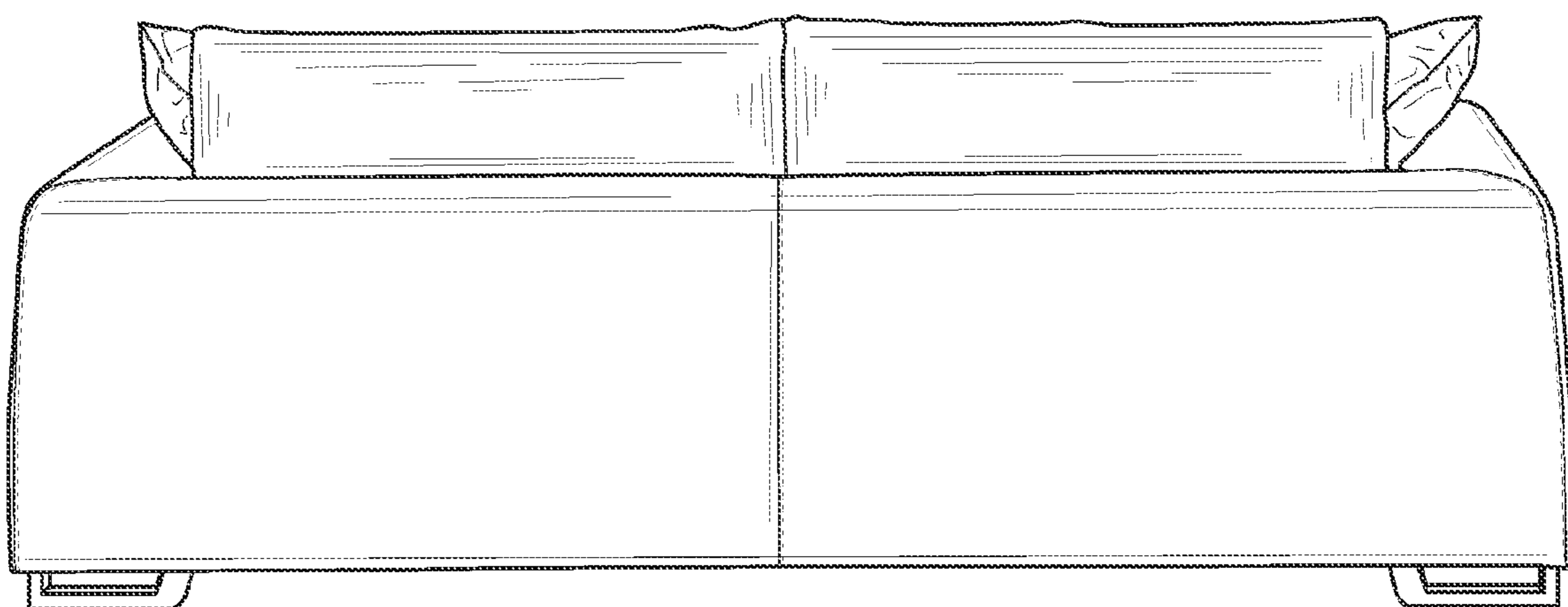


FIG. 4

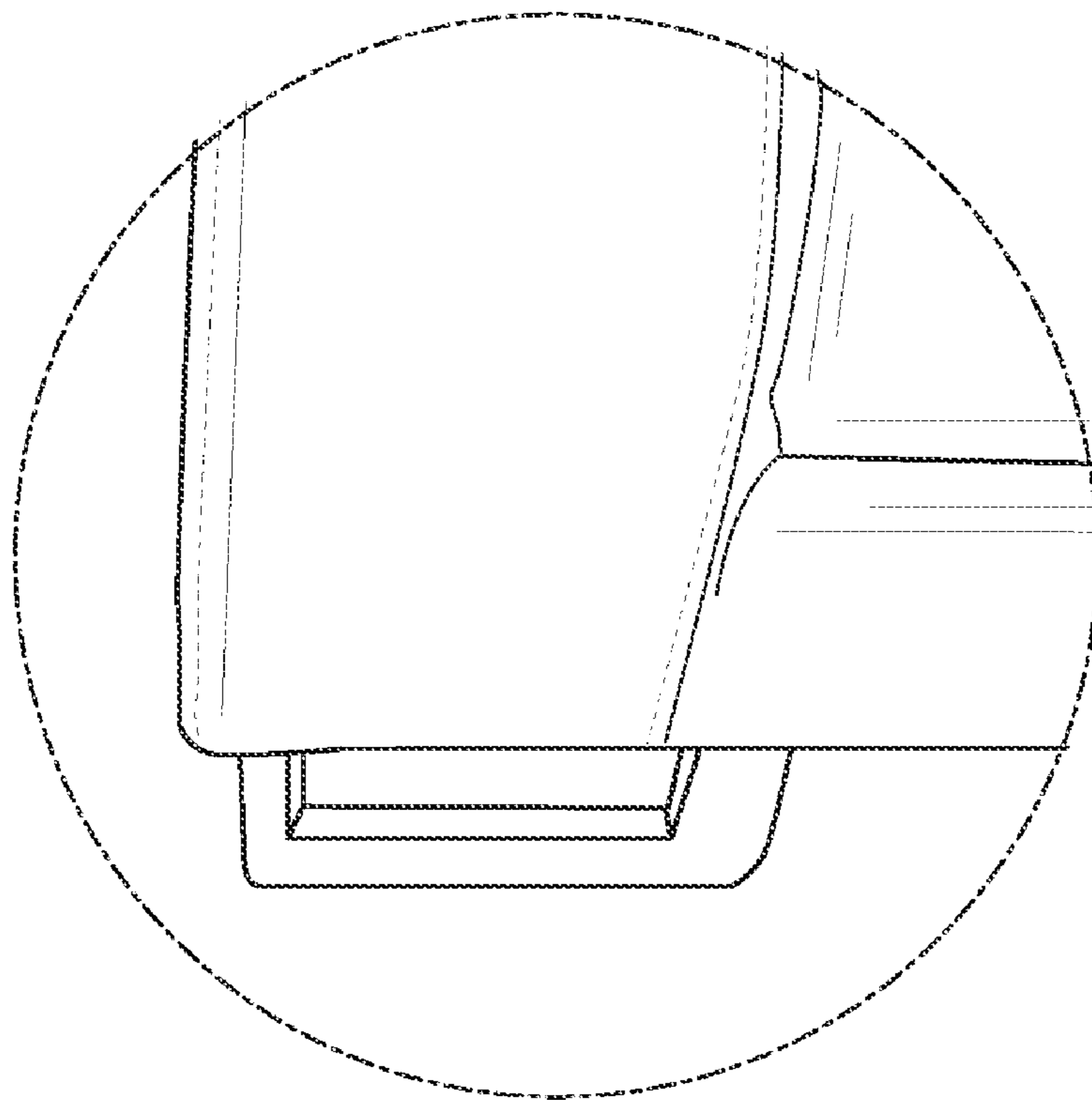


FIG. 5

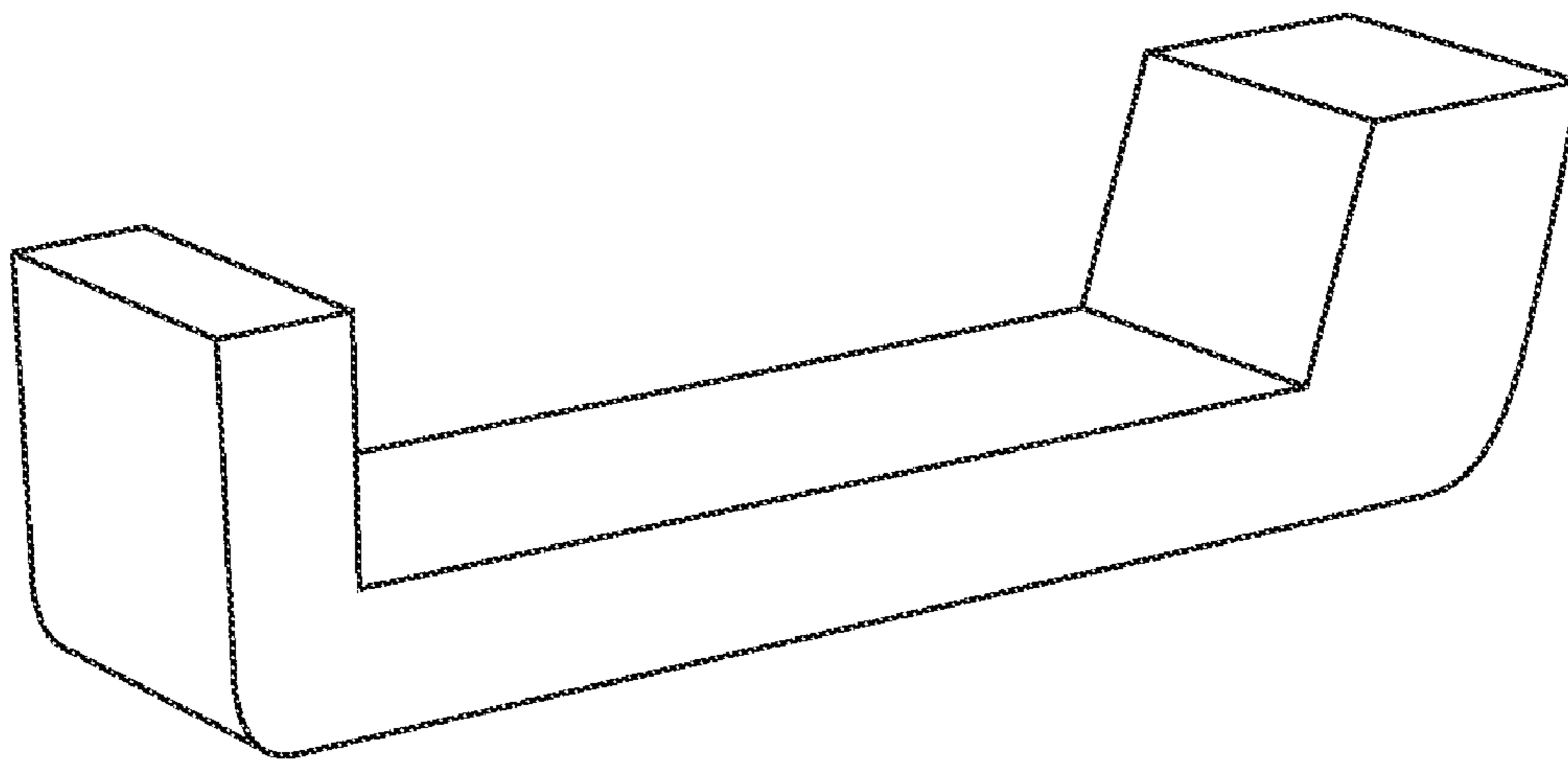


FIG. 6