



US00D600038S

(12) **United States Design Patent**  
**Natuzzi**

(10) **Patent No.:** **US D600,038 S**  
(45) **Date of Patent:** **\*\* Sep. 15, 2009**

(54) **SOFA**  
(75) Inventor: **Pasquale Natuzzi**, Santeramo in Colle (IT)  
(73) Assignee: **Natuzzi S.p.A.** (IT)  
(\*\*) Term: **14 Years**

D424,317 S \* 5/2000 Natuzzi et al. .... D6/381  
D526,807 S \* 8/2006 Natuzzi ..... D6/381  
D547,967 S \* 8/2007 Oldham ..... D6/381  
D549,482 S \* 8/2007 Natuzzi ..... D6/381  
D551,463 S \* 9/2007 Natuzzi ..... D6/381  
D570,129 S \* 6/2008 Natuzzi ..... D6/381  
D577,506 S \* 9/2008 Natuzzi ..... D6/381  
D584,524 S \* 1/2009 Ricci ..... D6/381  
D590,165 S \* 4/2009 Natuzzi ..... D6/381

(21) Appl. No.: **29/335,085**

\* cited by examiner

(22) Filed: **Apr. 8, 2009**

*Primary Examiner*—Sandra Snapp  
(74) *Attorney, Agent, or Firm*—St. Onge Steward Johnston & Reens LLC

(30) **Foreign Application Priority Data**

Oct. 8, 2008 (EM) ..... 001017412-0022

(51) **LOC (9) Cl.** ..... **06-01**  
(52) **U.S. Cl.** ..... **D6/381**  
(58) **Field of Classification Search** ..... D6/334,  
D6/349, 355, 364, 370, 374, 378, 381, 382,  
D6/383, 491, 495, 500–503; 297/68, 232,  
297/233, 353, 445.1, 448.1, 448.2, DIG. 7;  
5/12.1, 12.2

(57) **CLAIM**

The ornamental design for a sofa, as shown and described.

See application file for complete search history.

**DESCRIPTION**

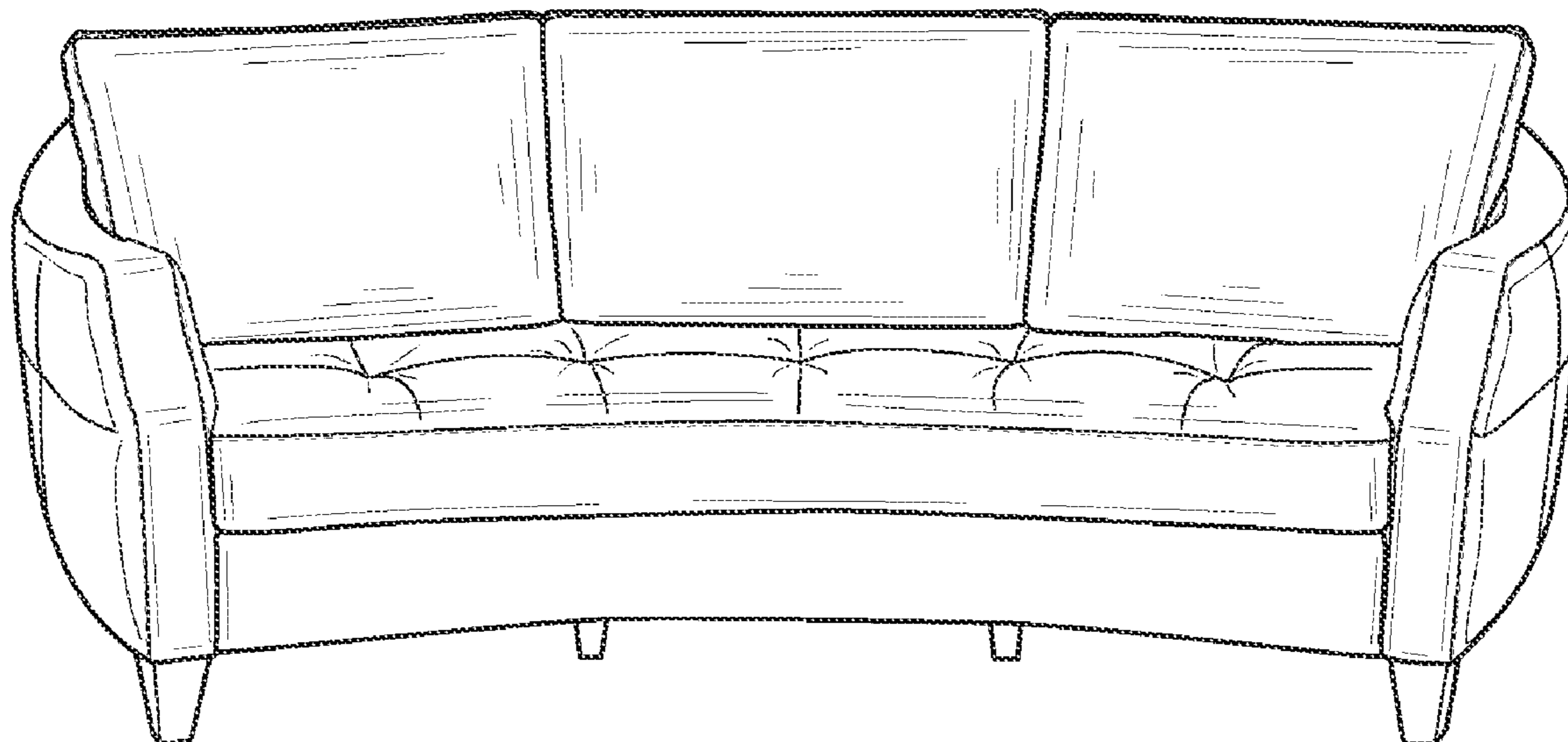
FIG. 1 is a front perspective view of a sofa in accordance with the new design;  
FIG. 2 is a top plan view thereof;  
FIG. 3 is a right side perspective view thereof, the left side perspective view being a mirror image thereof; and,  
FIG. 4 is a back view thereof.

(56) **References Cited**

**U.S. PATENT DOCUMENTS**

D388,630 S \* 1/1998 Lowman et al. .... D6/381

**1 Claim, 2 Drawing Sheets**



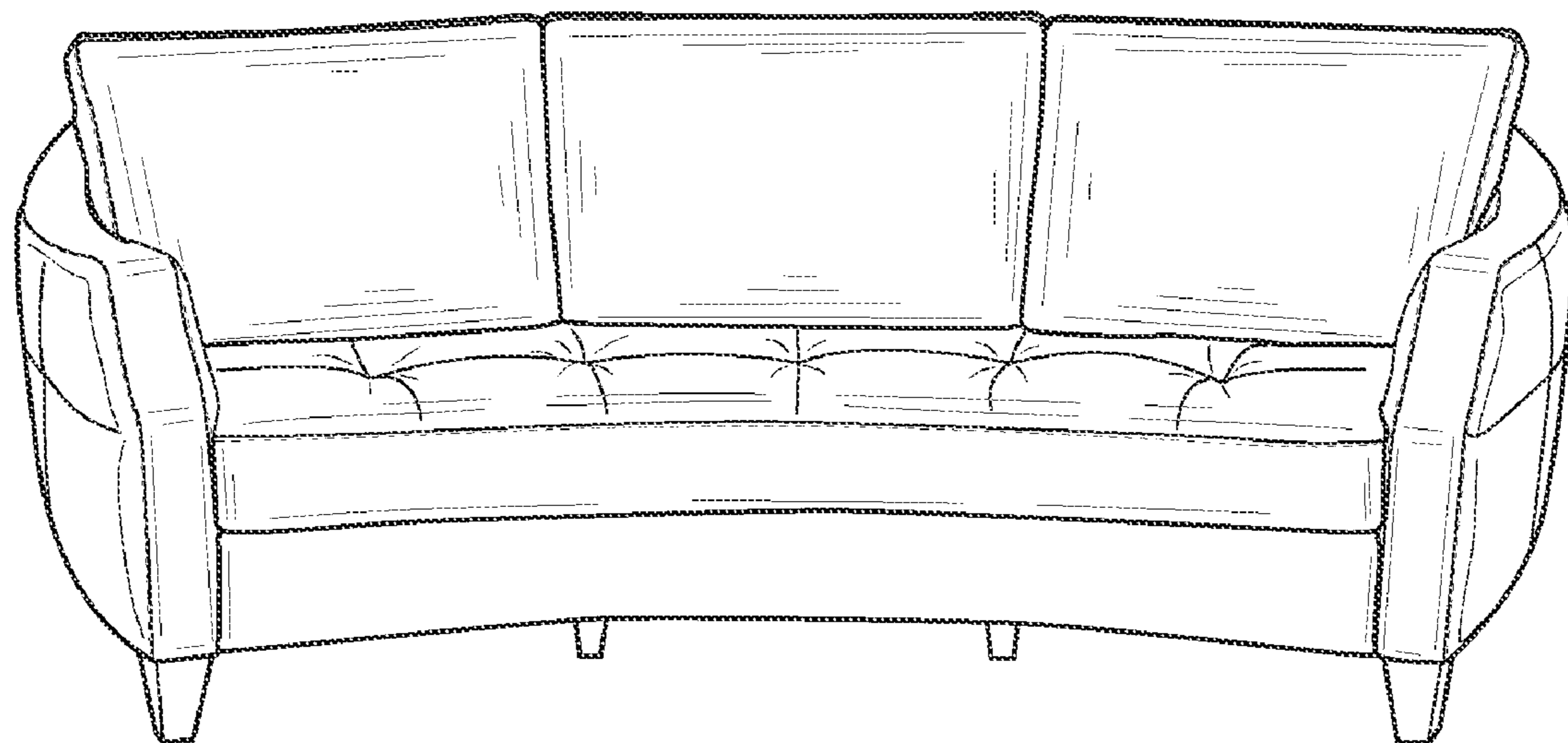


FIG. 1

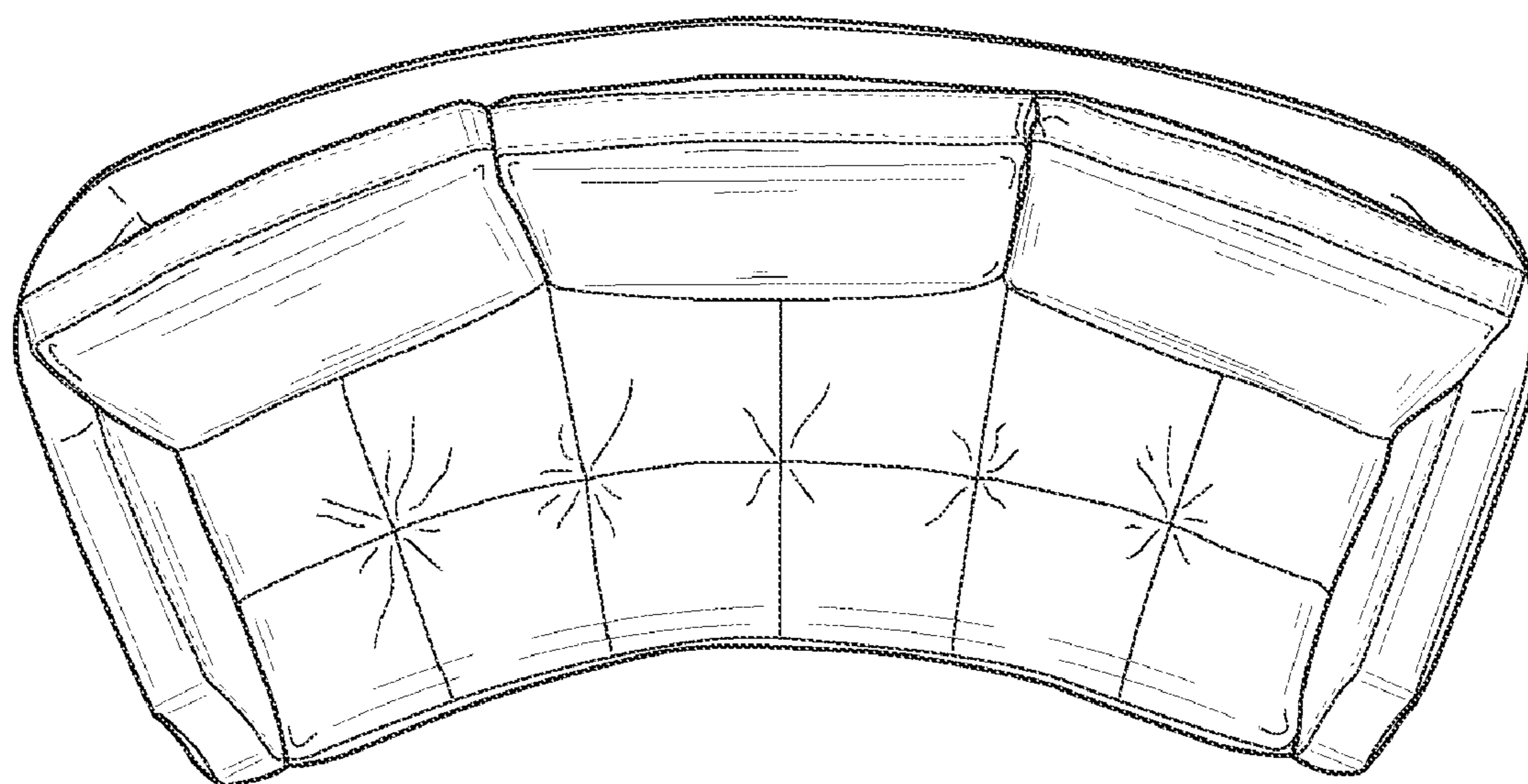


FIG. 2

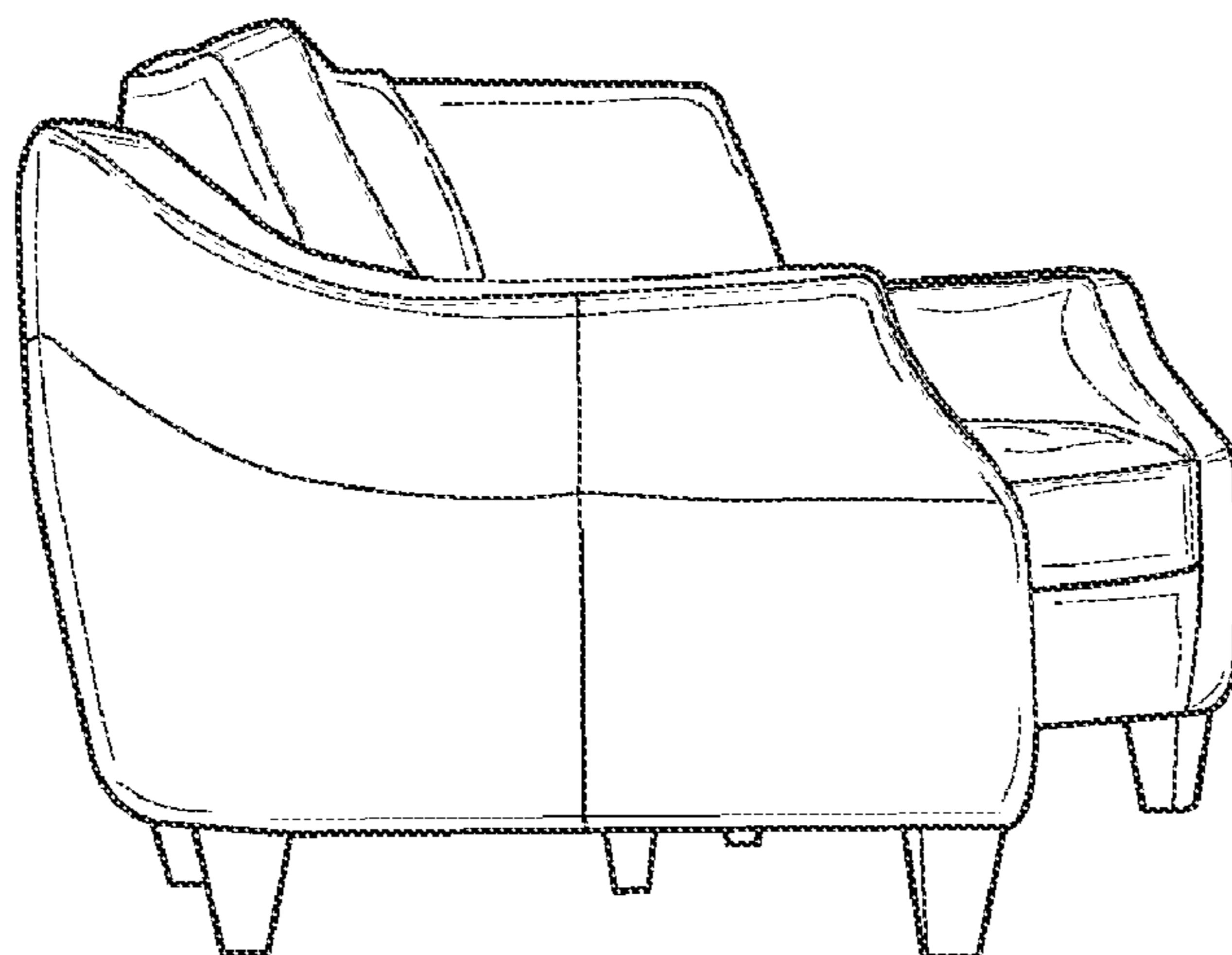


FIG. 3

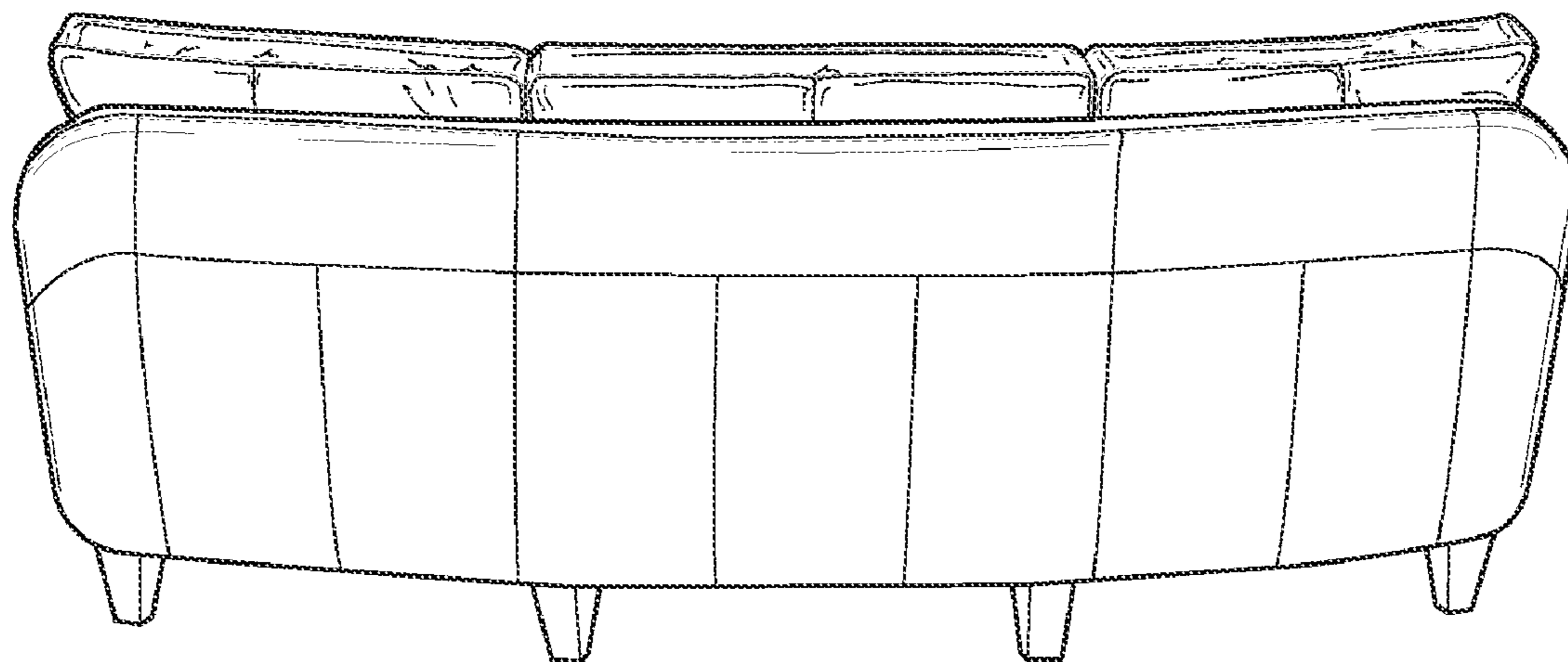


FIG. 4