



US00D600025S

(12) **United States Design Patent**
Hill et al.

(10) **Patent No.:** **US D600,025 S**

(45) **Date of Patent:** **** Sep. 15, 2009**

(54) **PET CLEAN UP TOOL**

(75) Inventors: **Ambreese Hill**, Grand Rapids, MI (US);
Meghan L. McNeil, Grand Rapids, MI (US)

(73) Assignee: **Bissell Homecare, Inc.**, Grand Rapids, MI (US)

(**) Term: **14 Years**

(21) Appl. No.: **29/332,247**

(22) Filed: **Feb. 11, 2009**

(51) **LOC (9) Cl.** **04-01**

(52) **U.S. Cl.** **D4/114; D4/120; D4/138; D32/45**

(58) **Field of Classification Search** D4/114, D4/119, 120, 127, 132-134, 137, 138; D32/45; 15/106, 107, 114, 118, 209.1; 401/6, 16-18, 401/24, 25, 187, 188 R, 196, 205-207, 268, 401/270, 274, 276, 278, 282, 286, 288, 290, 401/291

See application file for complete search history.

(56) **References Cited**

U.S. PATENT DOCUMENTS

D193,171 S *	7/1962	Hulsh	D4/114
D214,260 S *	5/1969	Yonkers	D4/114
D226,462 S *	3/1973	Gibbs	D4/114
D434,567 S *	12/2000	Chen	D4/119
D445,257 S	7/2001	Hay		

6,425,701 B1	7/2002	Jacobs		
D493,962 S *	8/2004	Dotterman et al.	D4/138
D524,546 S *	7/2006	Ajluni et al.	D4/114
D540,543 S	4/2007	Hay		
D542,036 S *	5/2007	Rhoades et al.	D4/120
D554,314 S *	10/2007	Kubes et al.	D32/45
2004/0105715 A1	6/2004	Spelman et al.		

* cited by examiner

Primary Examiner—Melanie H Tung

Assistant Examiner—Lavone D Tabor

(74) *Attorney, Agent, or Firm*—McGarry Bair PC

(57) **CLAIM**

The ornamental design for a pet clean up tool, as shown and described.

DESCRIPTION

FIG. 1 is a front right side perspective view of a pet clean up tool which embodies our design;

FIG. 2 is a front view thereof;

FIG. 3 is a rear view thereof;

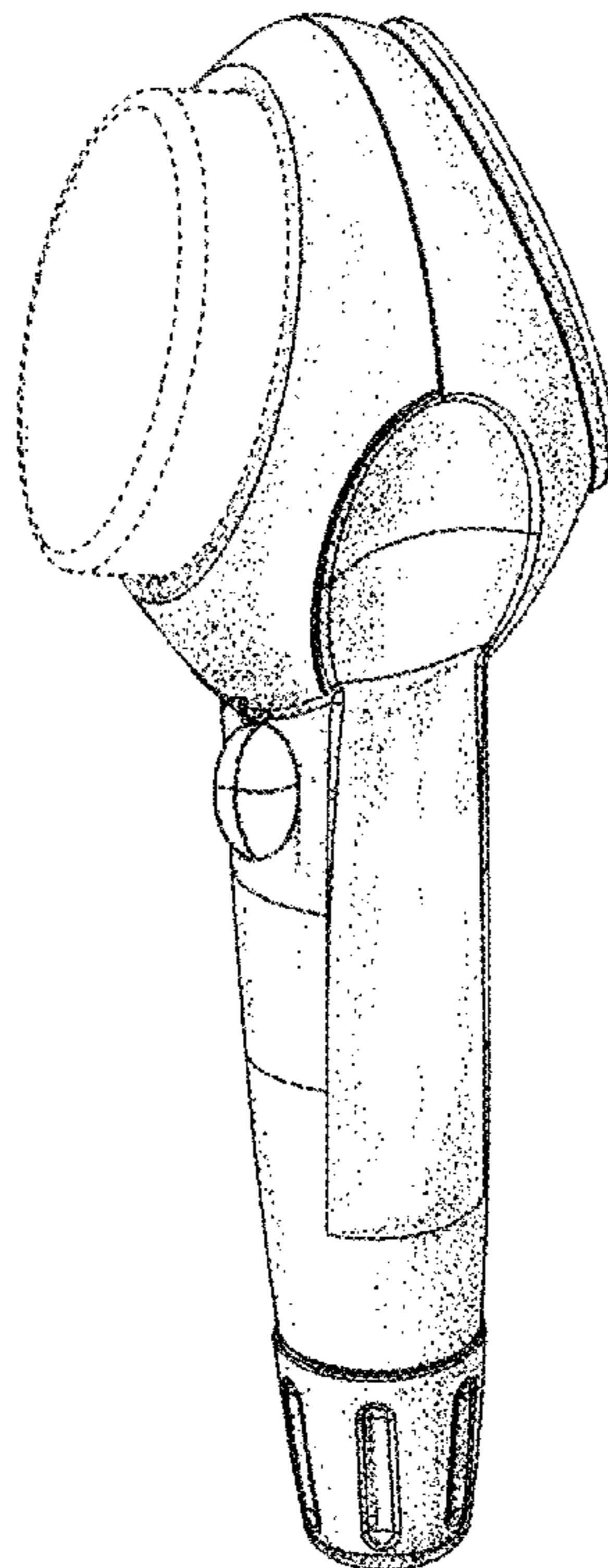
FIG. 4 is a right side view thereof, the left side view thereof being a mirror image of the right side view thereof;

FIG. 5 is a top view thereof; and,

FIG. 6 is a bottom view thereof.

The broken line showing of a cleaning means is included for the purpose of illustrating a portion of the tool that forms no part of the claimed design.

1 Claim, 2 Drawing Sheets



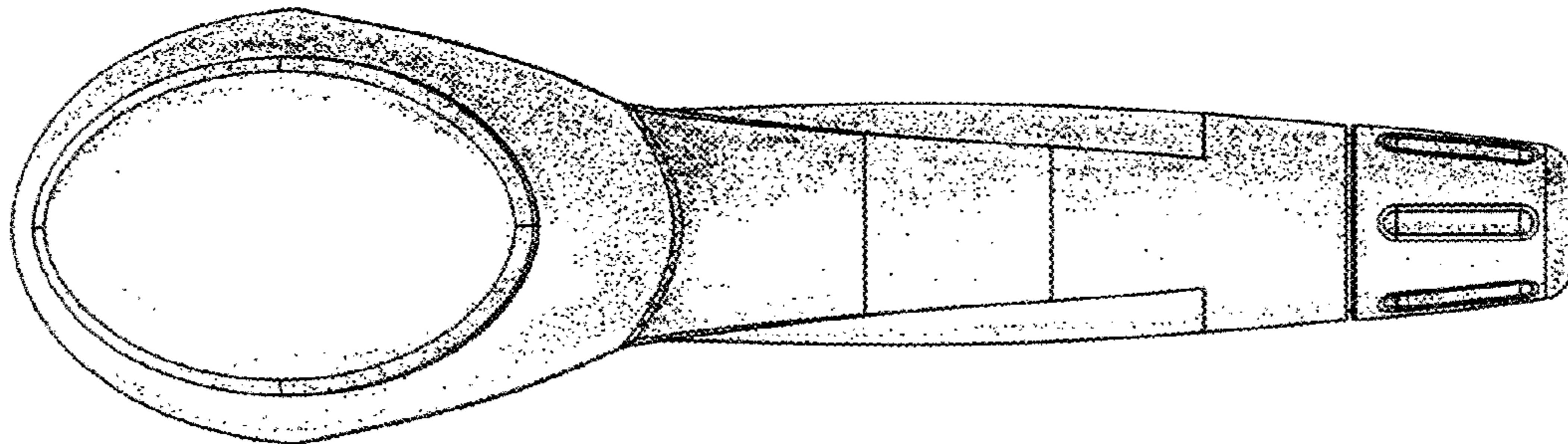


Fig. 3

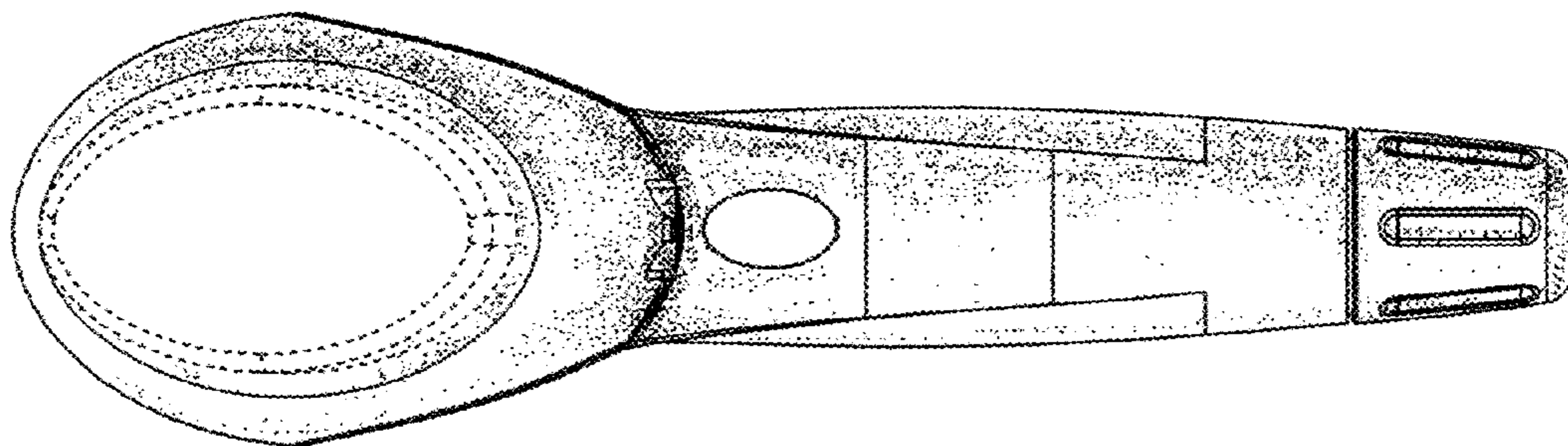


Fig. 2

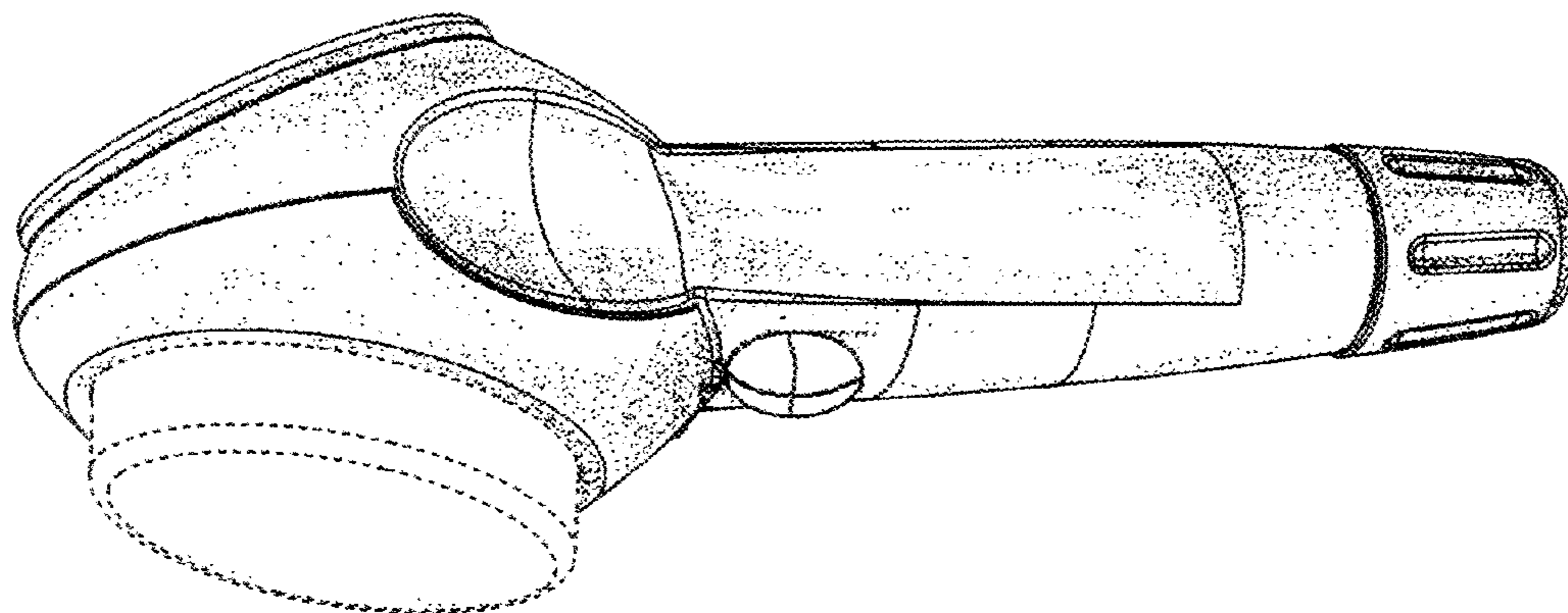


Fig. 1

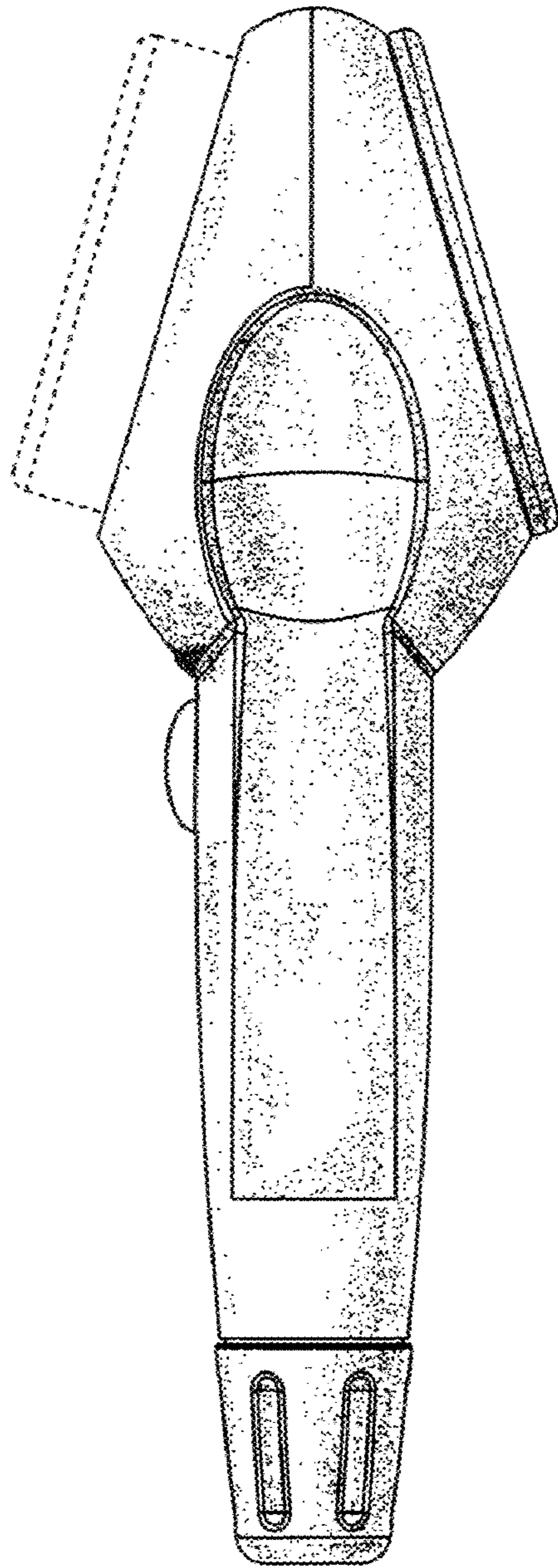


Fig. 4

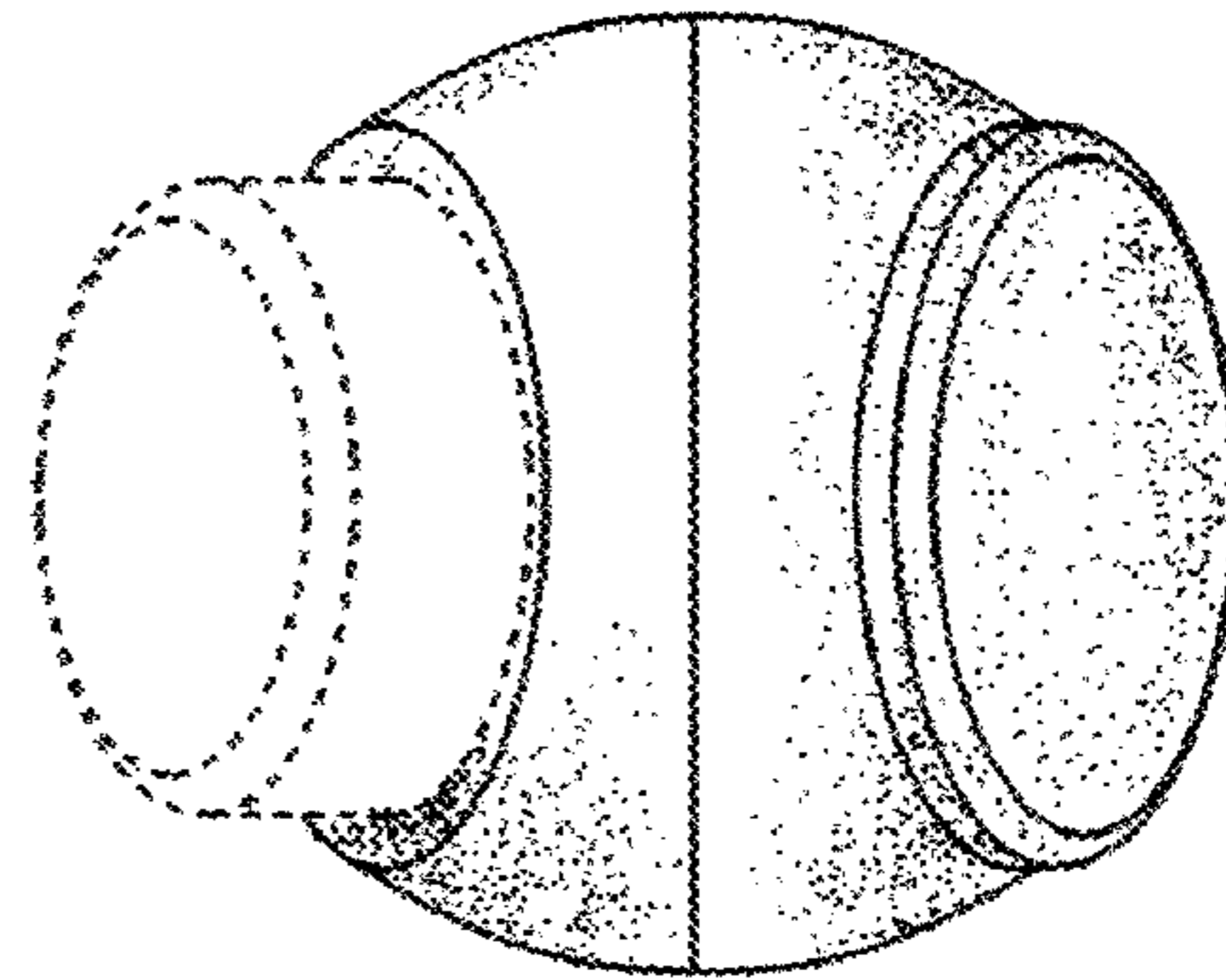


Fig. 5

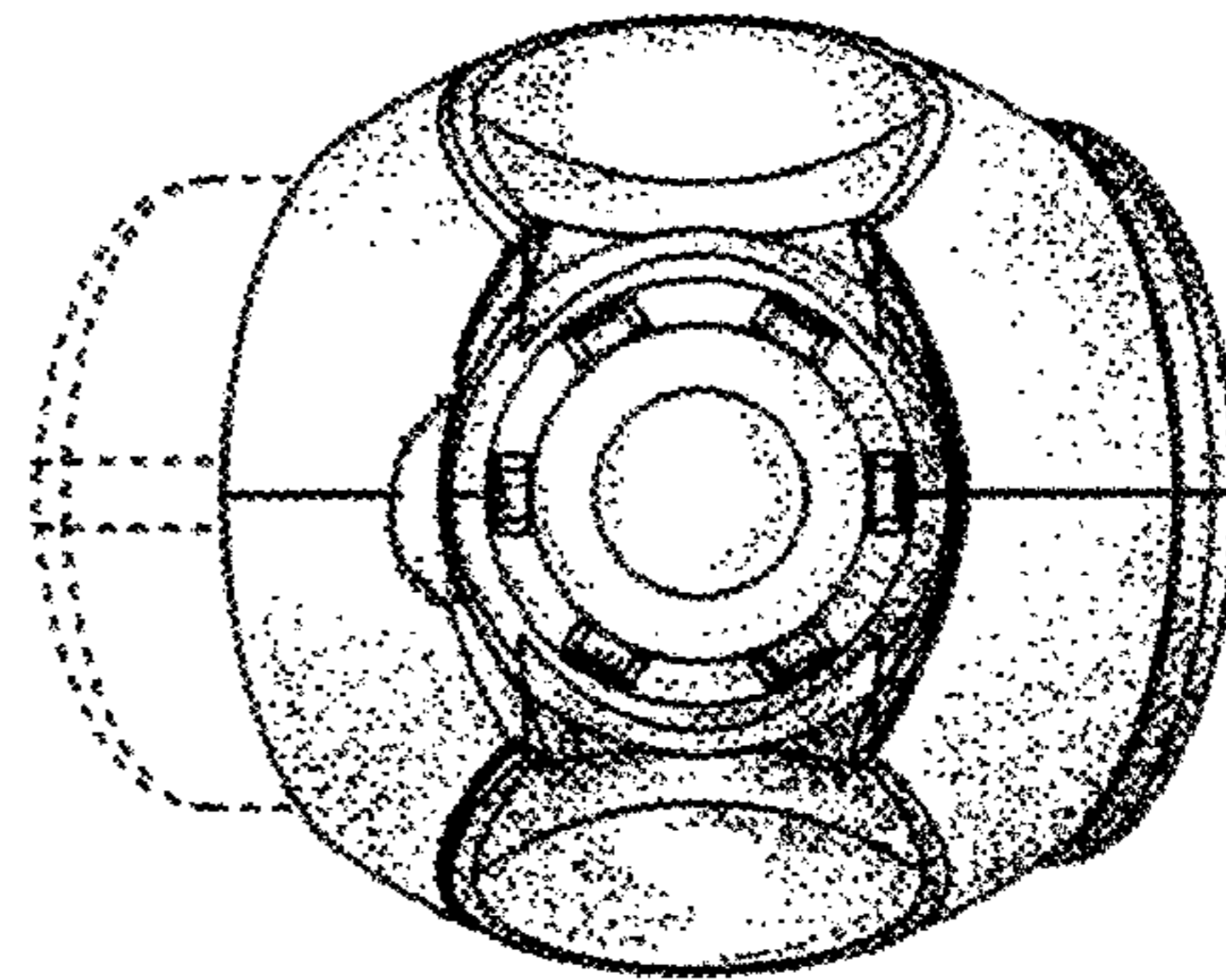


Fig. 6