



US00D600022S

(12) **United States Design Patent**
Busschaert

(10) **Patent No.:** **US D600,022 S**

(45) **Date of Patent:** **** Sep. 15, 2009**

(54) **POLE SCRUBBER**

(75) Inventor: **Jason F. Busschaert**, Towson, MD (US)

(73) Assignee: **Black & Decker Inc.**, Newark, DE (US)

(**) Term: **14 Years**

(21) Appl. No.: **29/268,457**

(22) Filed: **Nov. 7, 2006**

(51) **LOC (9) Cl.** **04-02**

(52) **U.S. Cl.** **D4/102; D4/138**

(58) **Field of Classification Search** D4/100,
D4/102, 114, 115, 121, 127; 15/22.1, 28,
15/29, 49.1, 50.1, 98, 144.1-144.4, 179,
15/180

See application file for complete search history.

(56) **References Cited**

U.S. PATENT DOCUMENTS

1,696,835	A	12/1928	Burnett	
2,543,975	A *	3/1951	Keely	401/288
2,682,067	A	6/1954	Coleman	
3,024,883	A	3/1962	Eriksson	
4,524,484	A	6/1985	Graham	
D317,667	S	6/1991	Bolser et al.	
D331,499	S *	12/1992	Tsai	D4/115
5,224,231	A	7/1993	Nacar	
5,289,605	A *	3/1994	Armbruster	15/97.1
5,891,063	A	4/1999	Vigil	
5,940,933	A	8/1999	Chang	
6,230,717	B1	5/2001	Marx et al.	
D451,288	S *	12/2001	Bean et al.	D4/121
D482,530	S	11/2003	Evans	
D485,990	S	2/2004	Wallace	
6,735,804	B2	5/2004	Carlucci et al.	
6,748,619	B2	6/2004	Quach	
D498,567	S	11/2004	Alsrue et al.	

D525,001	S	7/2006	Vassanelli	
2002/0059685	A1	5/2002	Paffrath	
2004/0107521	A1	6/2004	Chan et al.	
2005/0183222	A1 *	8/2005	Grohe	15/49.1
2005/0199265	A1	9/2005	France et al.	
2008/0092311	A1 *	4/2008	Munn et al.	15/28

* cited by examiner

Primary Examiner—Melanie H Tung

Assistant Examiner—Lavone D Tabor

(74) *Attorney, Agent, or Firm*—John Yun; Bruce S. Shapiro; Wesley Muller

(57) **CLAIM**

The ornamental design for a pole scrubber, as shown and described.

DESCRIPTION

FIG. 1 is a perspective view of a pole scrubber showing my new design.

FIG. 2 is a front view of a pole scrubber according to FIG. 1.

FIG. 3 is a rear view of a pole scrubber according to FIG. 1.

FIG. 4 is a right side view of a pole scrubber according to FIG. 1.

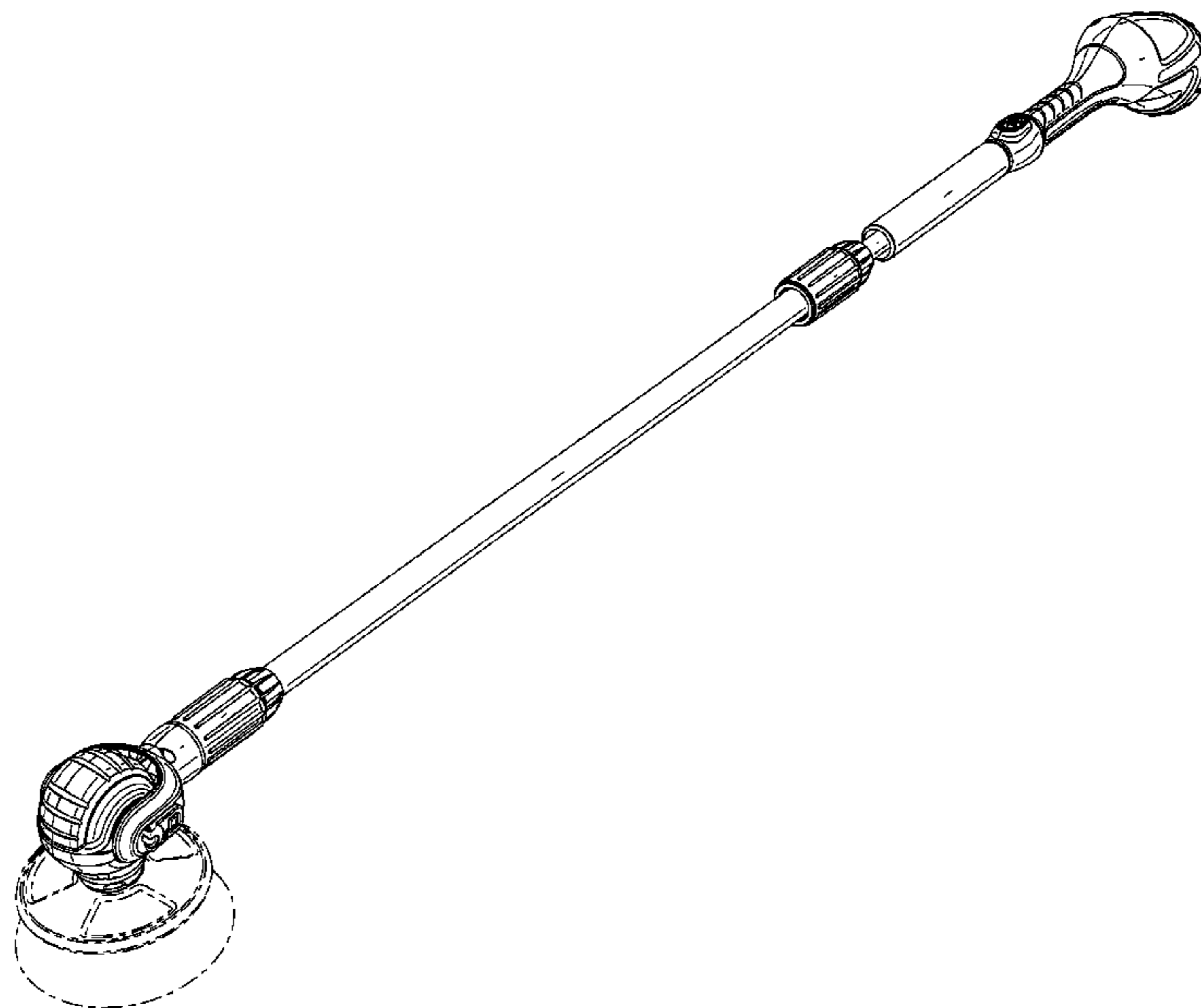
FIG. 5 is a left side view of a pole scrubber according to FIG. 1.

FIG. 6 is a top view of a pole scrubber according to FIG. 1; and,

FIG. 7 is a bottom view of pole scrubber according to FIG. 1.

In the above drawings the broken lines and the areas within the broken lines form no part of the claimed design. Additionally, the handle is shown broken away in some of the views for ease of illustration.

1 Claim, 4 Drawing Sheets



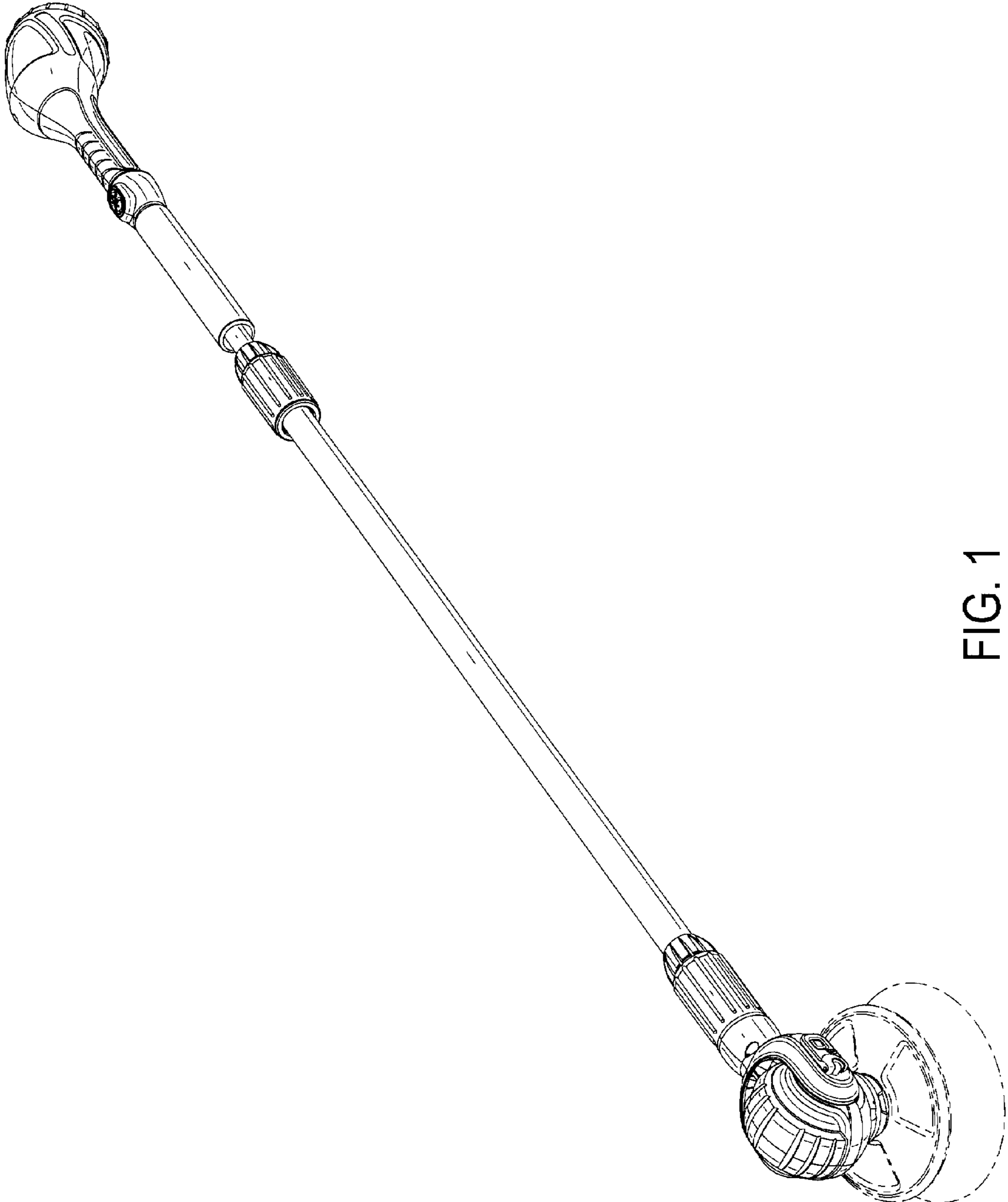


FIG. 1

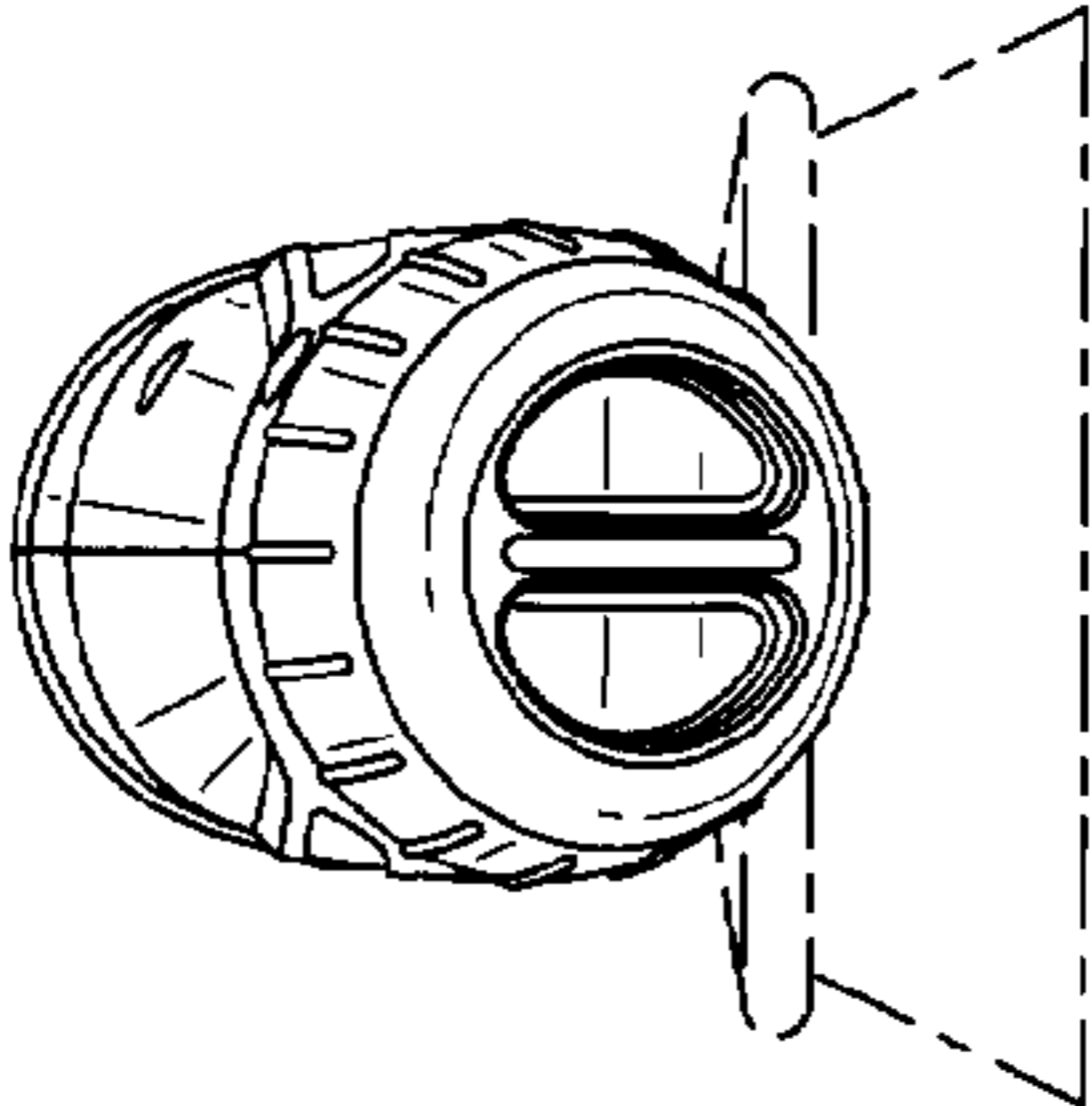


FIG. 3

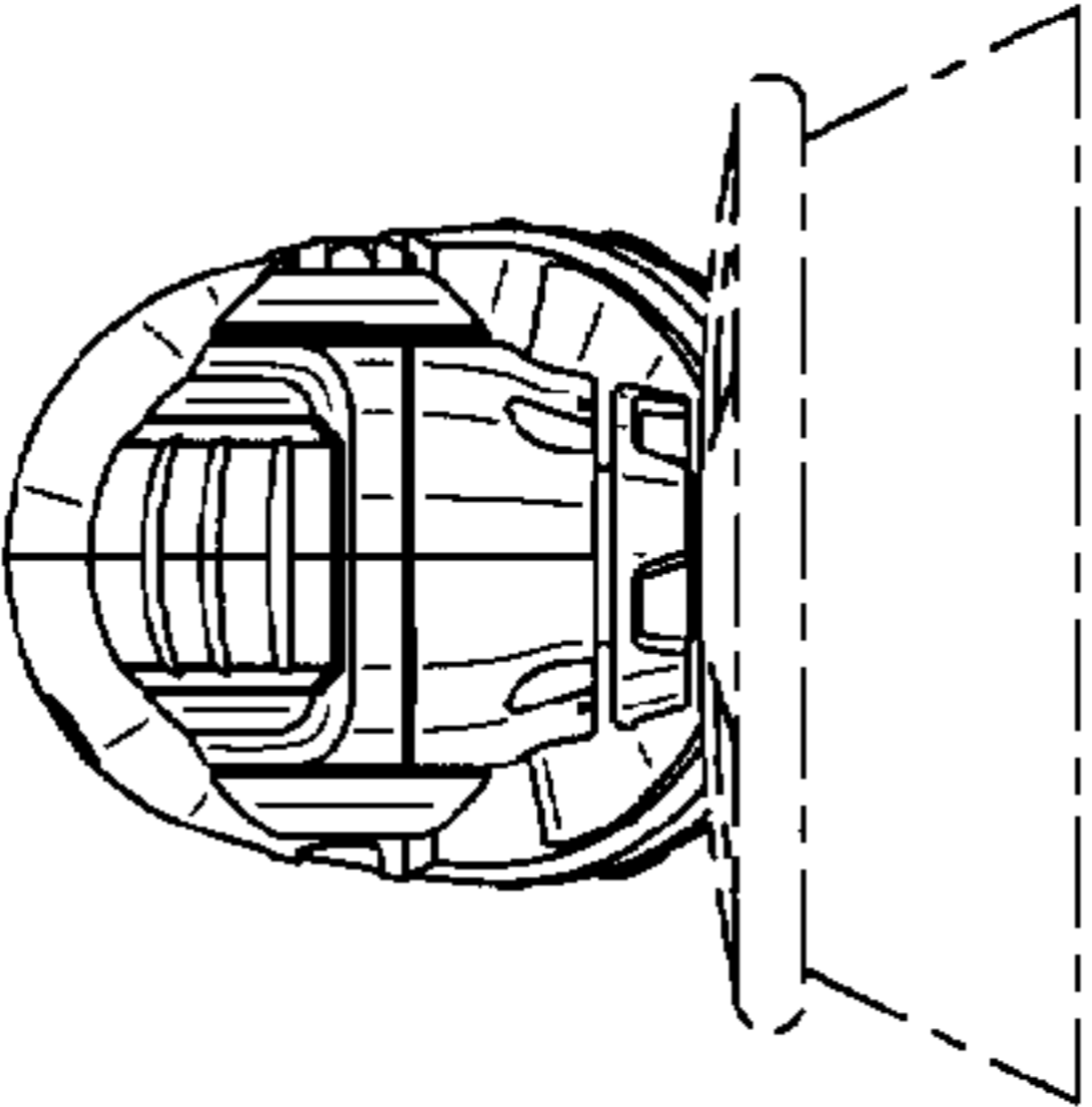


FIG. 2

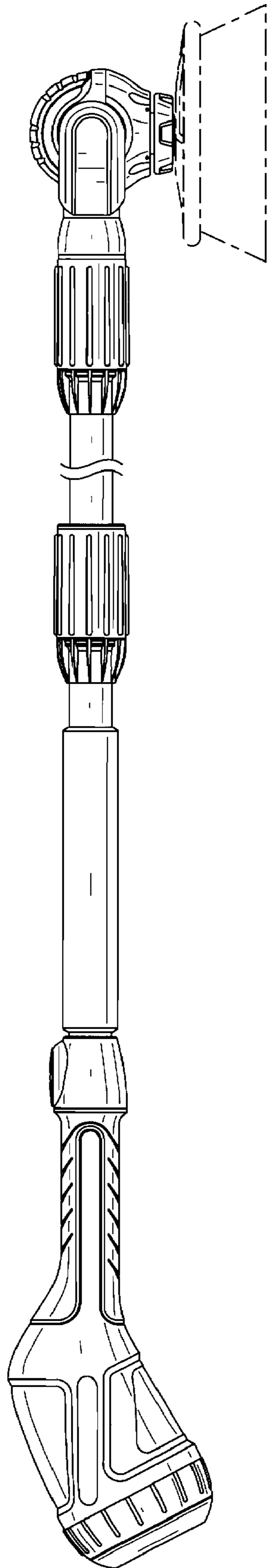


FIG. 4

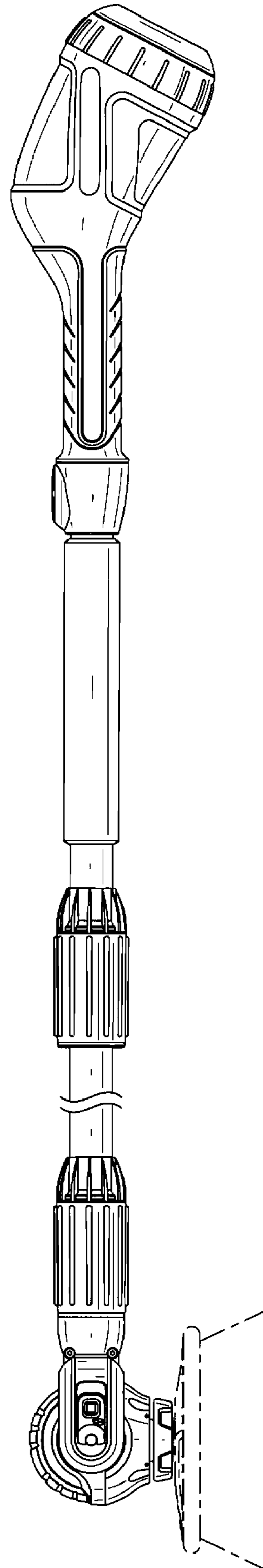


FIG. 5

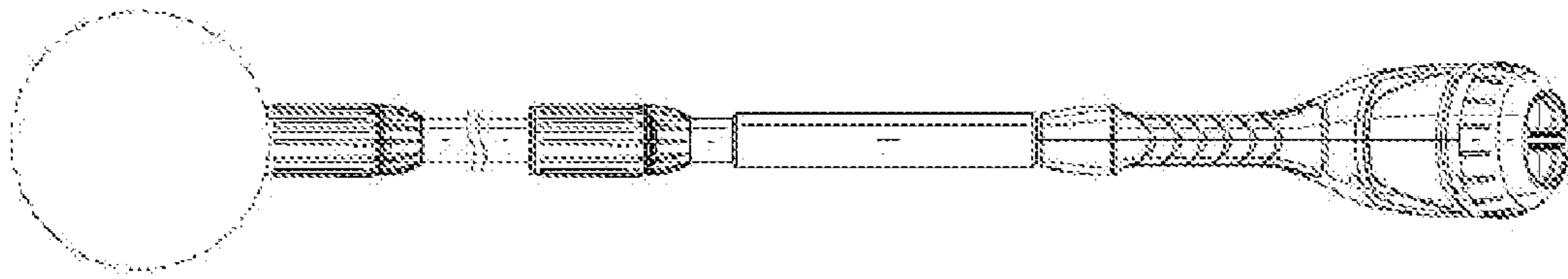


FIG. 7

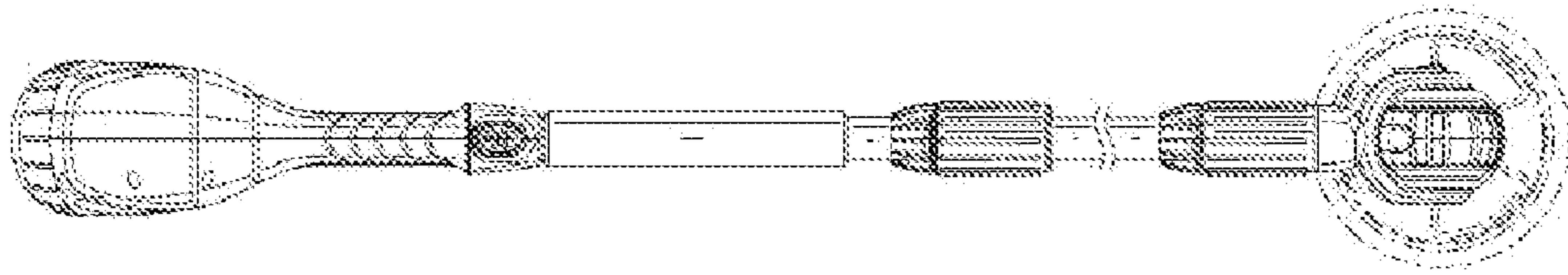


FIG. 6