



US00D600021S

(12) **United States Design Patent**  
**Lindström**

(10) **Patent No.:** **US D600,021 S**

(45) **Date of Patent:** **\*\* Sep. 15, 2009**

(54) **TRAY FOR BOTTLES**

(75) Inventor: **Johan Lindström**, Kauniainen (FI)

(73) Assignee: **K. Hartwall Oy AB**, Soderkulla (FI)

(\*\*) Term: **14 Years**

(21) Appl. No.: **29/287,685**

(22) Filed: **Sep. 7, 2007**

(30) **Foreign Application Priority Data**

Mar. 8, 2007 (EM) ..... 000685094

(51) **LOC (9) Cl.** ..... **03-01**

(52) **U.S. Cl.** ..... **D3/313**

(58) **Field of Classification Search** ..... D3/304-315,  
D3/319; D9/457, 456, 432, 425, 424, 756;  
D7/357; 220/500, 1.5, 6-7; 211/73, 59.4;  
206/564, 519, 499, 496, 427, 391, 356, 354,  
206/265, 203, 503-507, 509, 514-515, 517-518,  
206/555

See application file for complete search history.

(56) **References Cited**

**U.S. PATENT DOCUMENTS**

D201,257 S \* 6/1965 Vidal ..... D3/311  
5,285,899 A \* 2/1994 Apps et al. .... 206/503  
D380,901 S \* 7/1997 Apps et al. .... D3/311  
D390,458 S \* 2/1998 Kristoffersson ..... D9/755

D461,054 S \* 8/2002 Hammett ..... D3/314  
D483,946 S \* 12/2003 Koefeld ..... D3/304  
D505,014 S \* 5/2005 Apps et al. .... D3/311  
D524,651 S \* 7/2006 Perret ..... D9/456  
D535,881 S \* 1/2007 Liukko ..... D9/456  
2005/0279651 A1 \* 12/2005 Perret et al. .... 206/203

\* cited by examiner

*Primary Examiner*—T. Chase Nelson

*Assistant Examiner*—Eric L Goodman

(74) *Attorney, Agent, or Firm*—Birch, Stewart, Kolasch & Birch, LLP

(57) **CLAIM**

The ornamental design for a tray for bottles, as shown and described.

**DESCRIPTION**

FIG. 1 is a front, left, top perspective view of a tray for bottles showing my new design;

FIG. 2 is a back, left, bottom perspective view thereof;

FIG. 3 is a top plan view thereof;

FIG. 4 is a bottom plan view thereof;

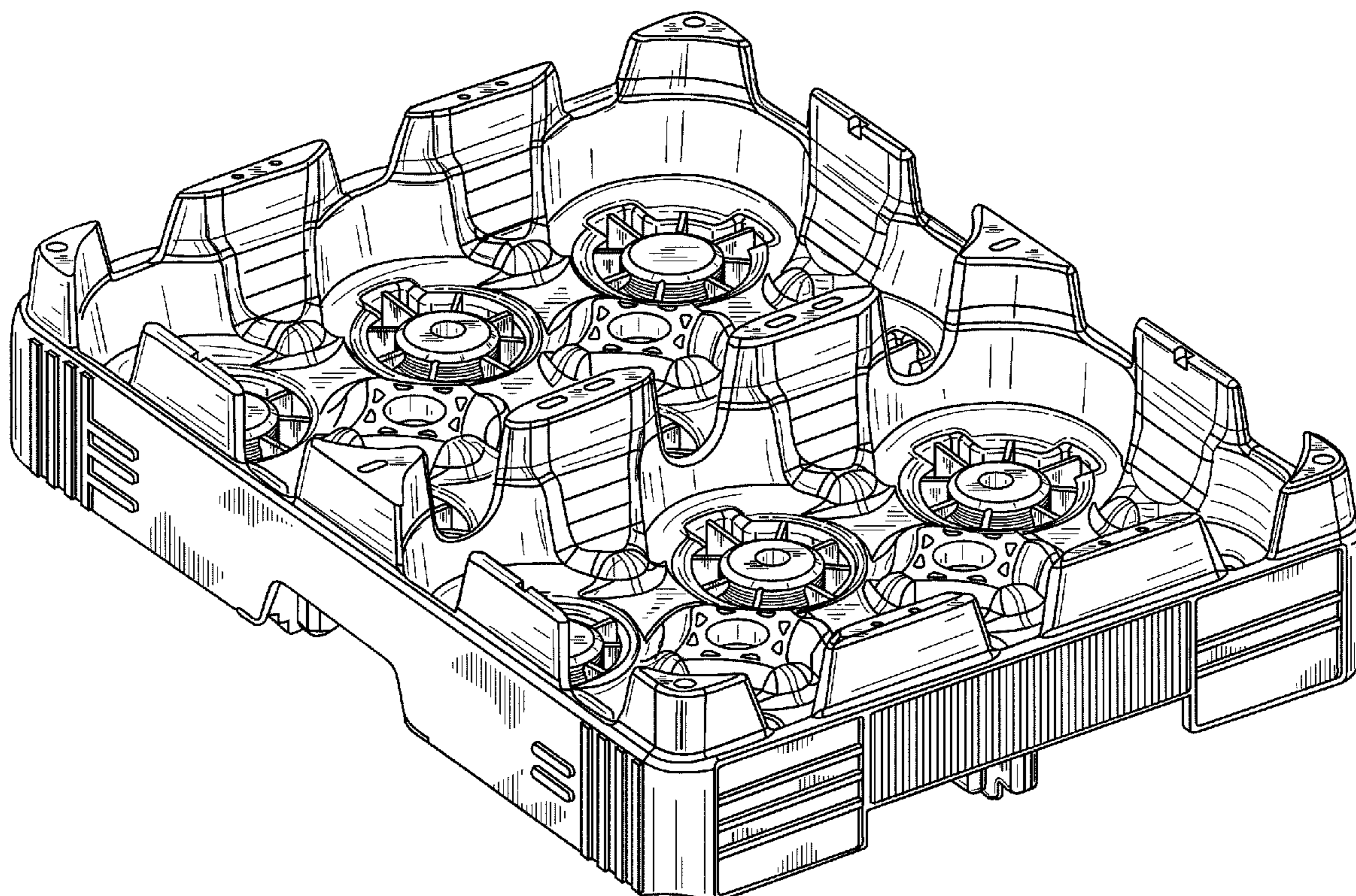
FIG. 5 is a left side view thereof;

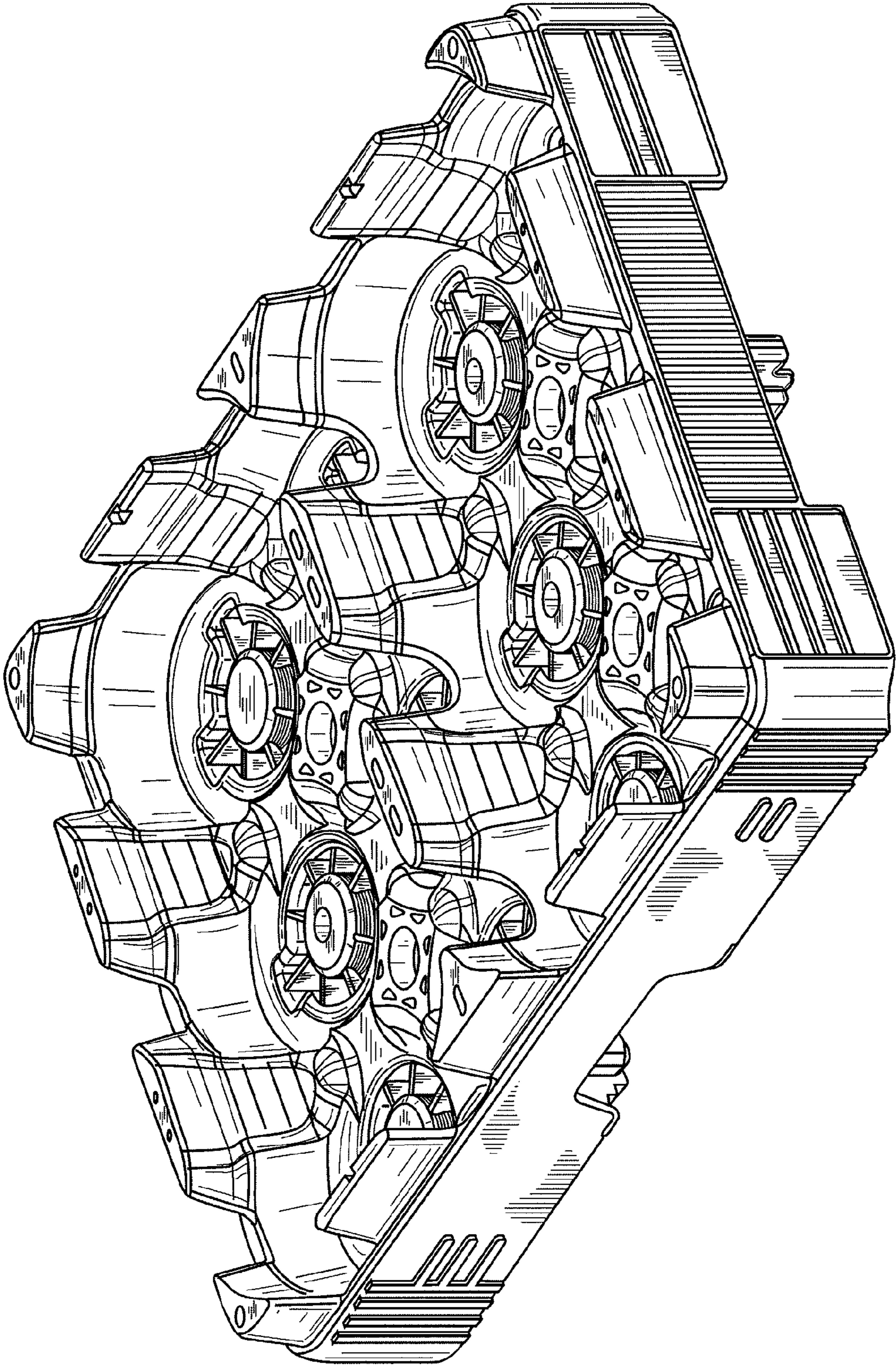
FIG. 6 is a right side view thereof;

FIG. 7 is a front elevational view thereof; and,

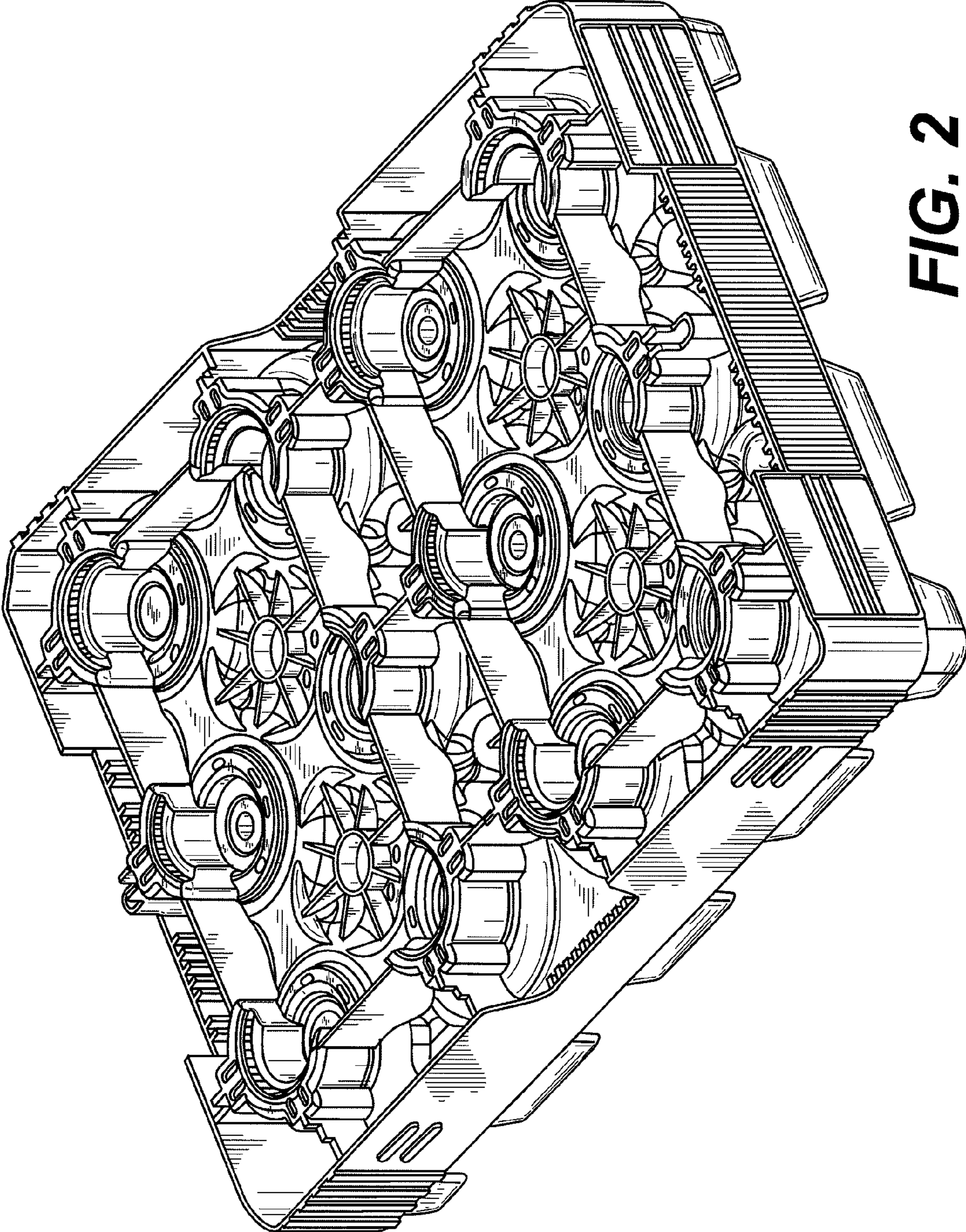
FIG. 8 is a rear elevational view thereof.

**1 Claim, 8 Drawing Sheets**

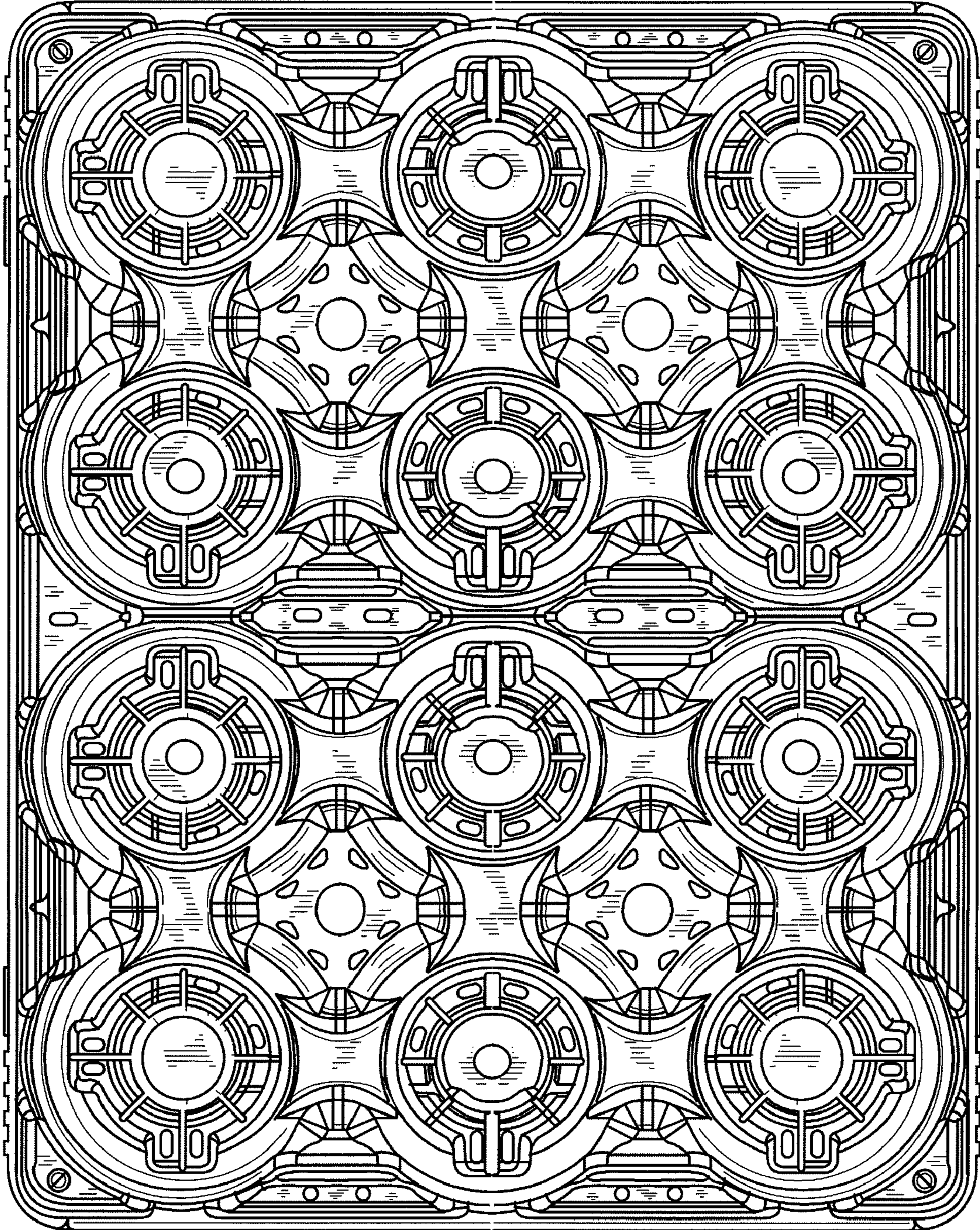




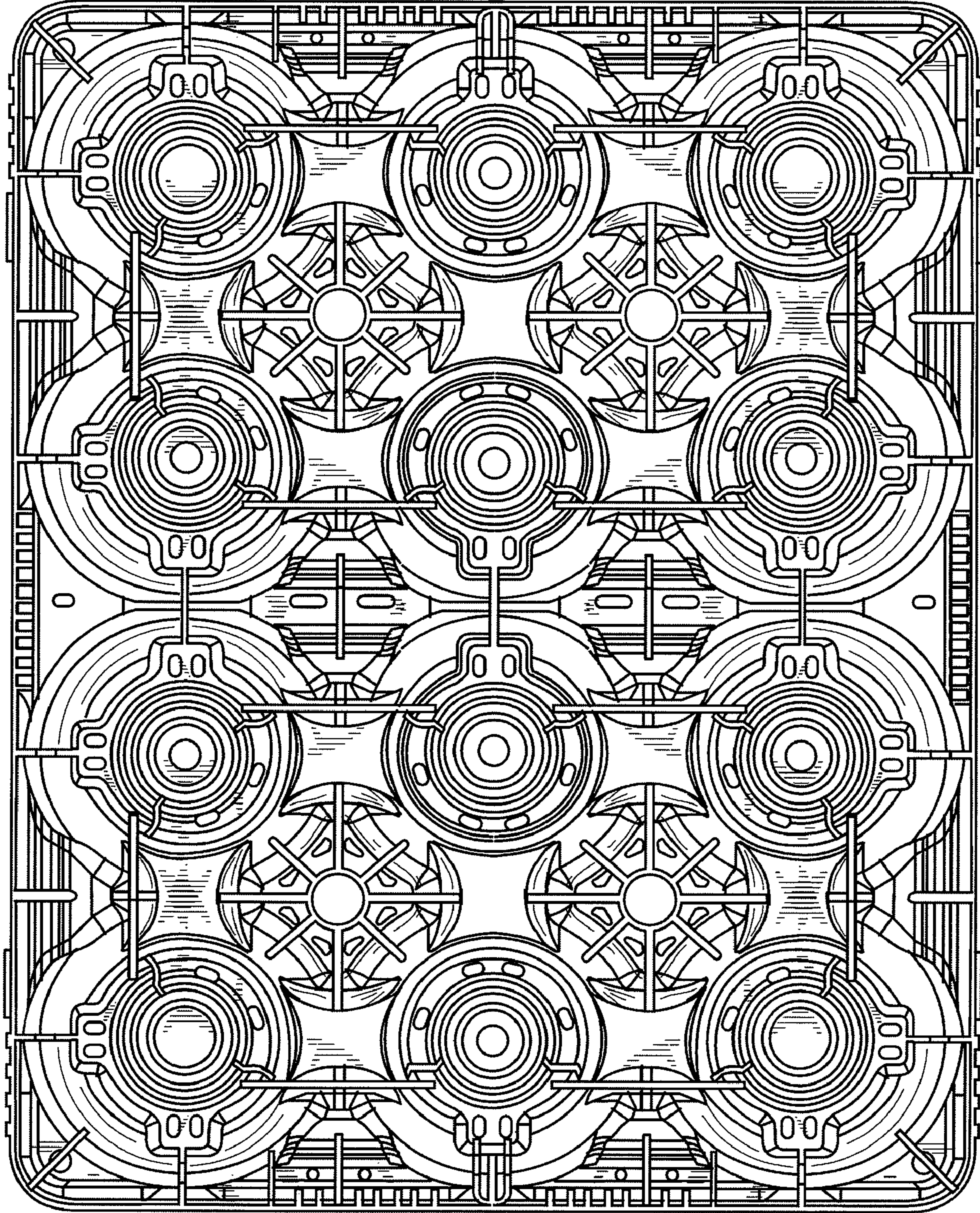
**FIG. 1**



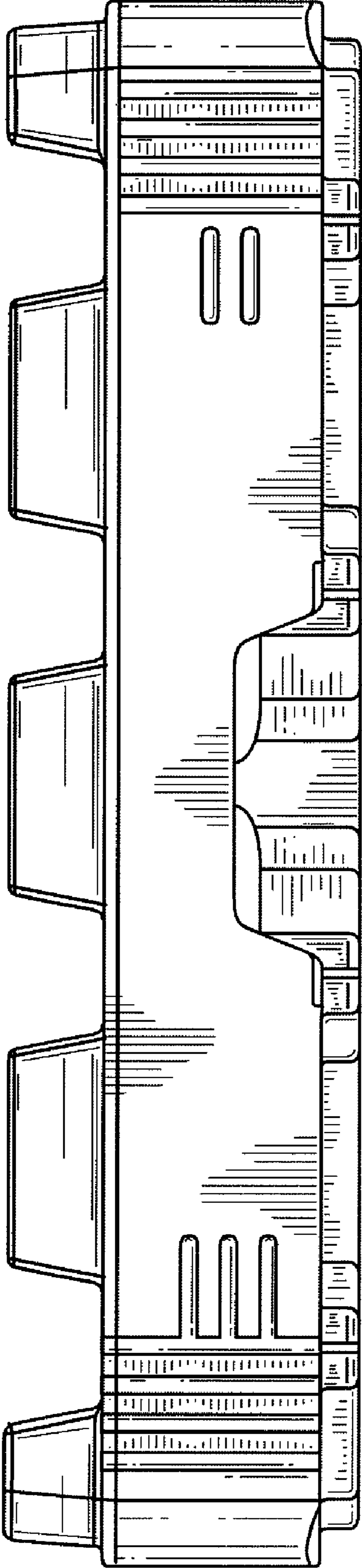
**FIG. 2**



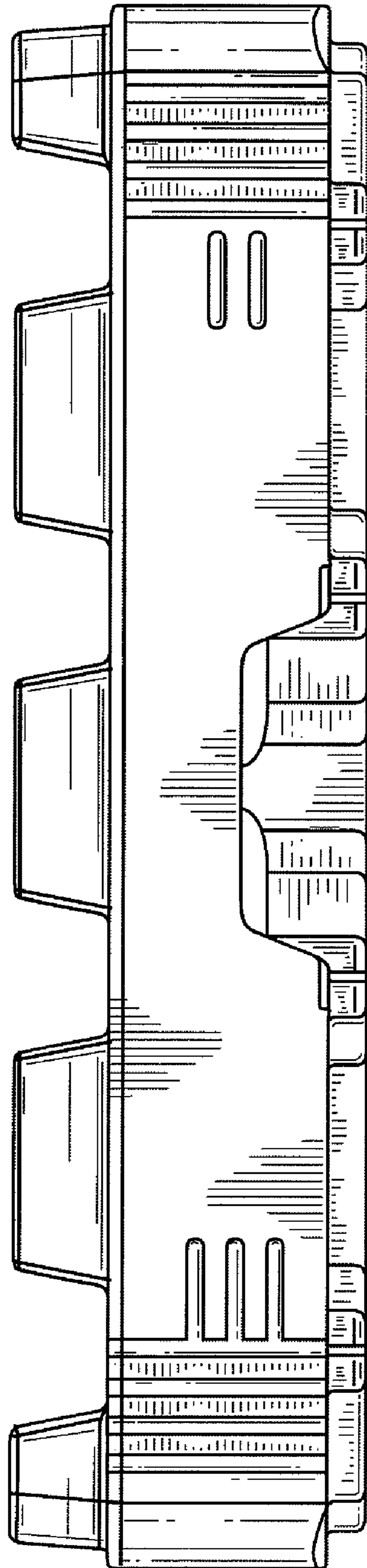
**FIG. 3**



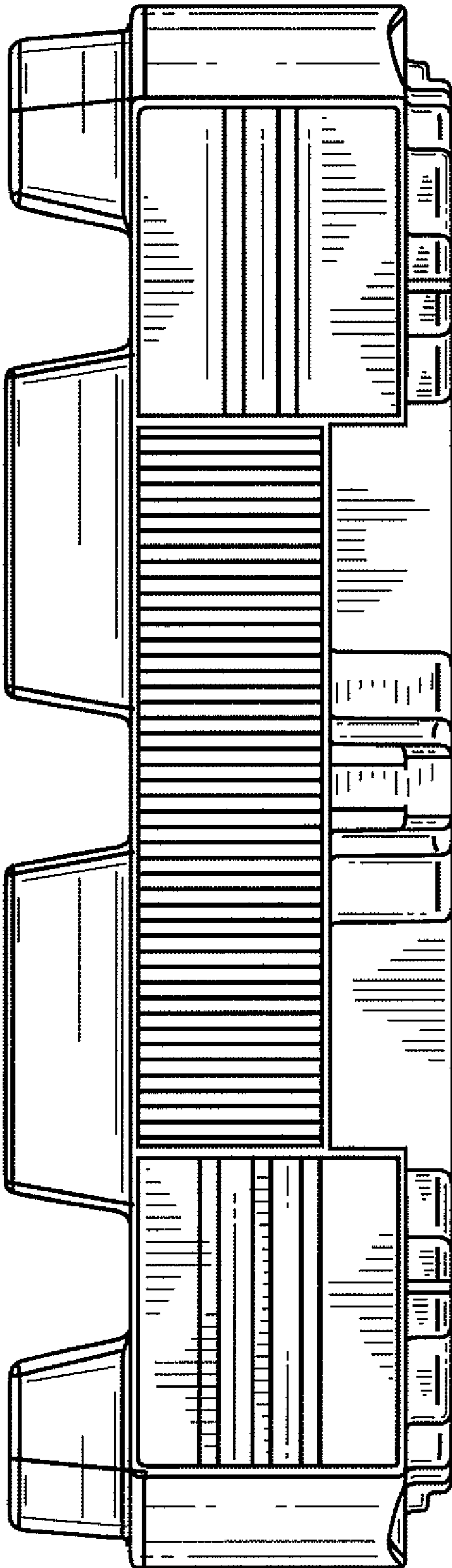
**FIG. 4**



**FIG. 5**

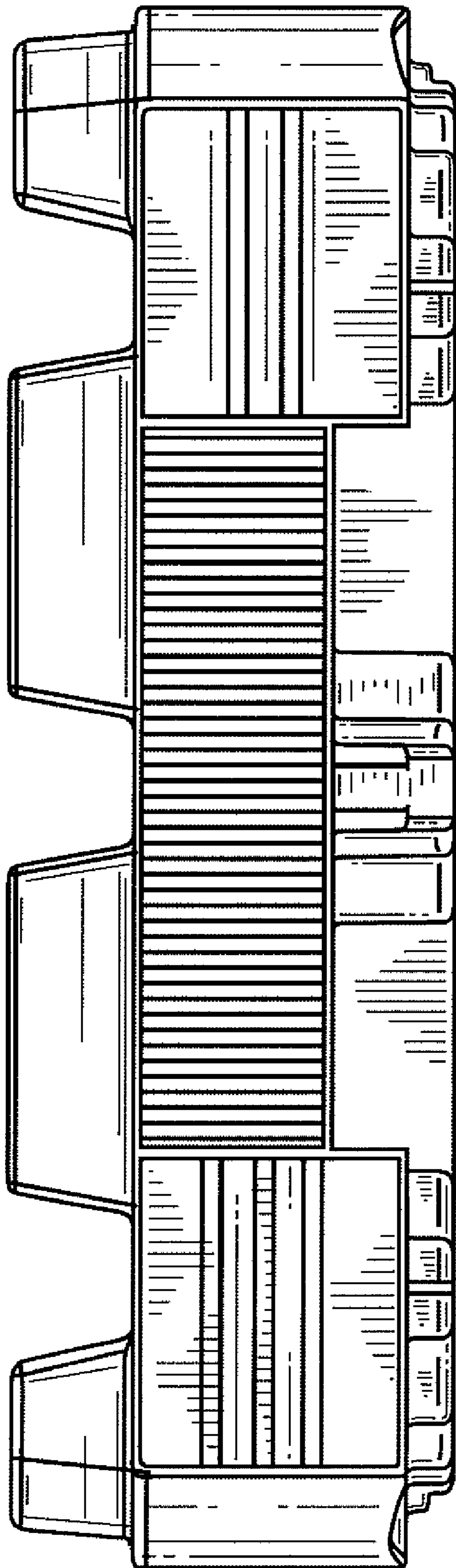


**FIG. 6**



**FIG. 7**





**FIG. 8**