



US00D600018S

(12) **United States Design Patent**
Cope

(10) **Patent No.:** **US D600,018 S**

(45) **Date of Patent:** **** *Sep. 15, 2009**

(54) **COLLAPSIBLE CONTAINER**

(75) Inventor: **Andrew Christopher Cope,**
Wolverhampton (GB)

(73) Assignee: **Linpac Allibert Limited,** Birmingham
(GB)

(**) Term: **14 Years**

(21) Appl. No.: **29/295,633**

(22) Filed: **Oct. 2, 2007**

(30) **Foreign Application Priority Data**

Apr. 2, 2007 (EM) 000702501

(51) **LOC (9) Cl.** **03-01**

(52) **U.S. Cl.** **D3/305**

(58) **Field of Classification Search** D3/304-305,
D3/307-309, 312, 314; 206/503, 505, 509;
220/1.5, 6-7, 4.26, 4.28, 676, DIG. 2, DIG. 12,
220/DIG. 14, DIG. 15

See application file for complete search history.

(56) **References Cited**

U.S. PATENT DOCUMENTS

5,988,420	A *	11/1999	Jacques et al.	220/1.5
6,179,156	B1 *	1/2001	Aiken	220/608
D481,542	S *	11/2003	Leisch	D3/309
7,086,555	B2 *	8/2006	Overholt et al.	220/669
7,104,414	B2 *	9/2006	Apps et al.	220/6
7,128,231	B2 *	10/2006	Overholt	220/4.28
7,195,127	B2 *	3/2007	Hsu et al.	220/6
D553,858	S *	10/2007	Sabancı	D3/305

2002/0108951	A1 *	8/2002	Zelko	220/7
2003/0116564	A1 *	6/2003	Overholt et al.	220/7
2003/0132228	A1 *	7/2003	Apps et al.	220/6
2005/0040166	A1 *	2/2005	Nolet et al.	220/6
2006/0011627	A1 *	1/2006	Overholt et al.	220/7
2007/0125779	A1 *	6/2007	Cope	220/6
2007/0199934	A1 *	8/2007	Warwick	220/7
2007/0210083	A1 *	9/2007	Li	220/6

* cited by examiner

Primary Examiner—T. Chase Nelson

Assistant Examiner—Eric L Goodman

(74) *Attorney, Agent, or Firm*—Knobbe Martens Olson & Bear LLP

(57) **CLAIM**

The ornamental design for a collapsible container, as shown and described.

DESCRIPTION

FIG. 1 is a perspective view of a collapsible container according to the new design.

FIG. 2 is a front elevational view of the design of FIG. 1.

FIG. 3 is a rear elevational view of the design of FIG. 1.

FIG. 4 is a top plan view of the design of FIG. 1.

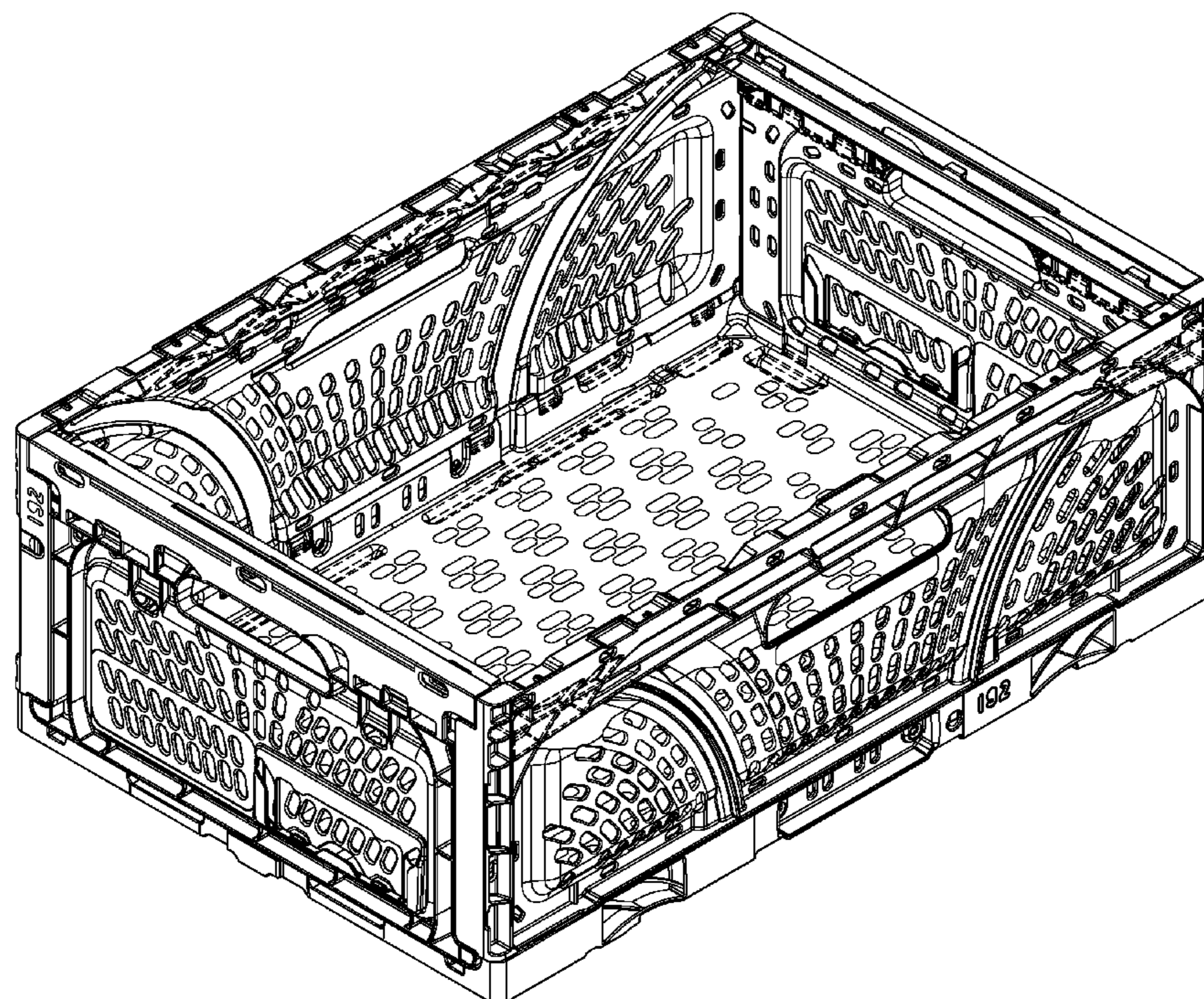
FIG. 5 is a bottom plan view of the design of FIG. 1.

FIG. 6 is a left side elevational view of the design of FIG. 1; and,

FIG. 7 is a right side elevational view of the design of FIG. 1.

The broken lines shown in the drawings define bounds of the claimed design and form no part thereof.

1 Claim, 7 Drawing Sheets



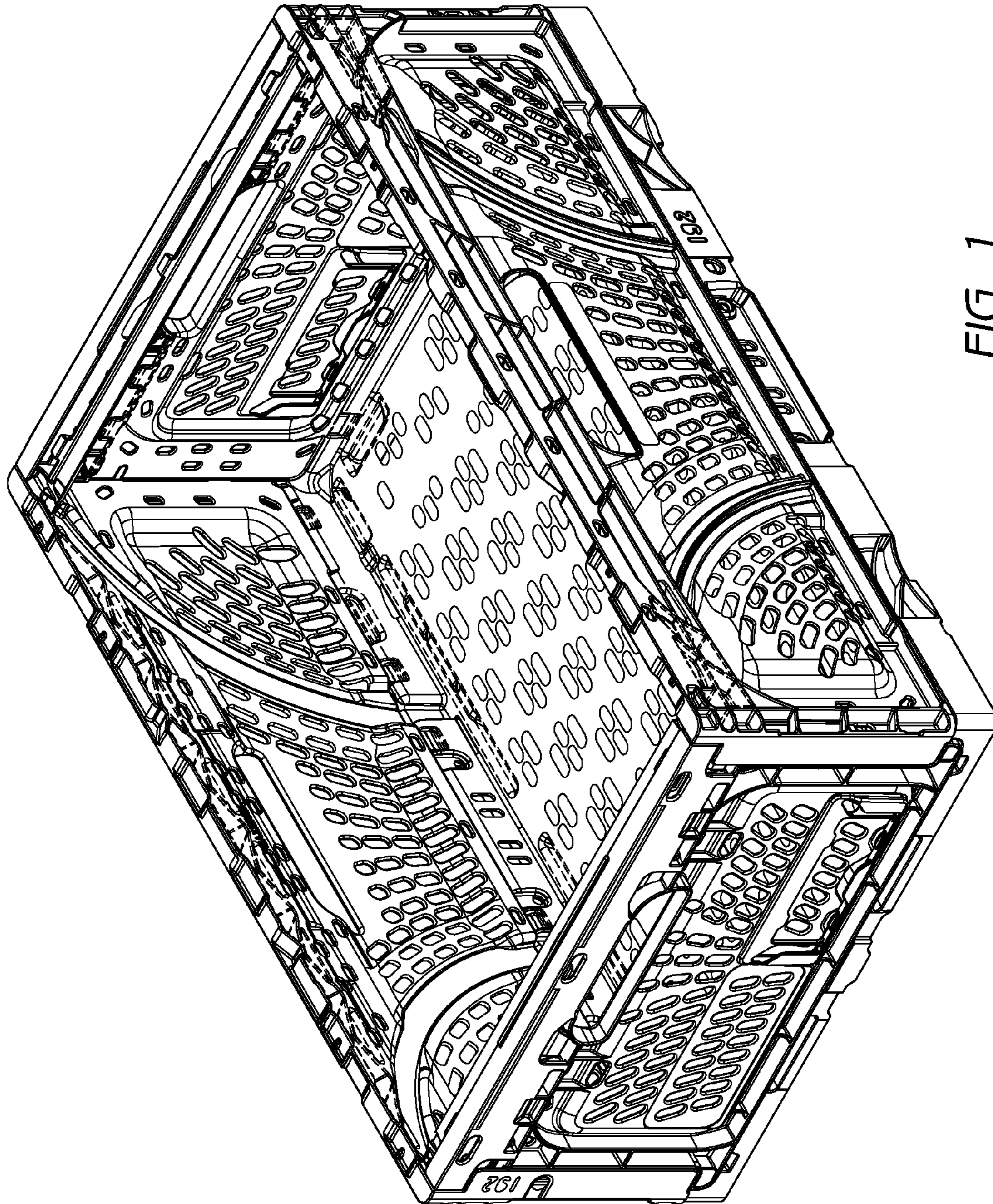


FIG. 1

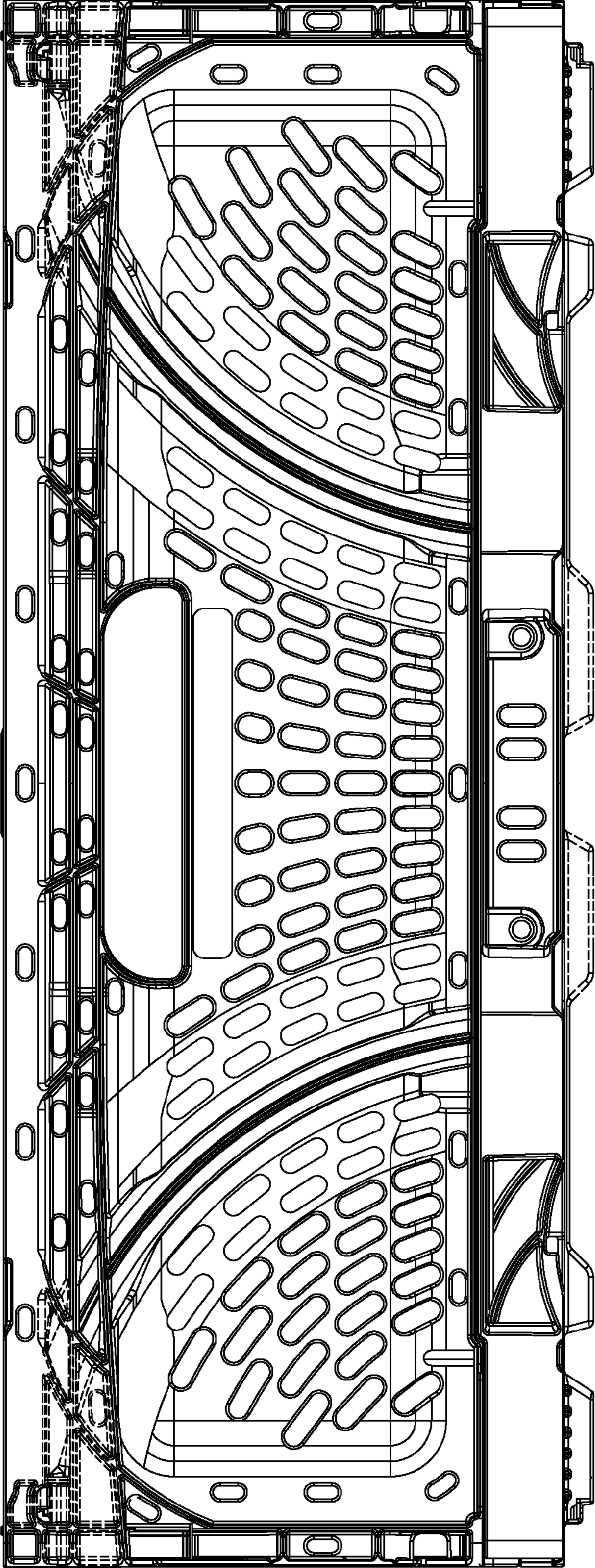


FIG. 2

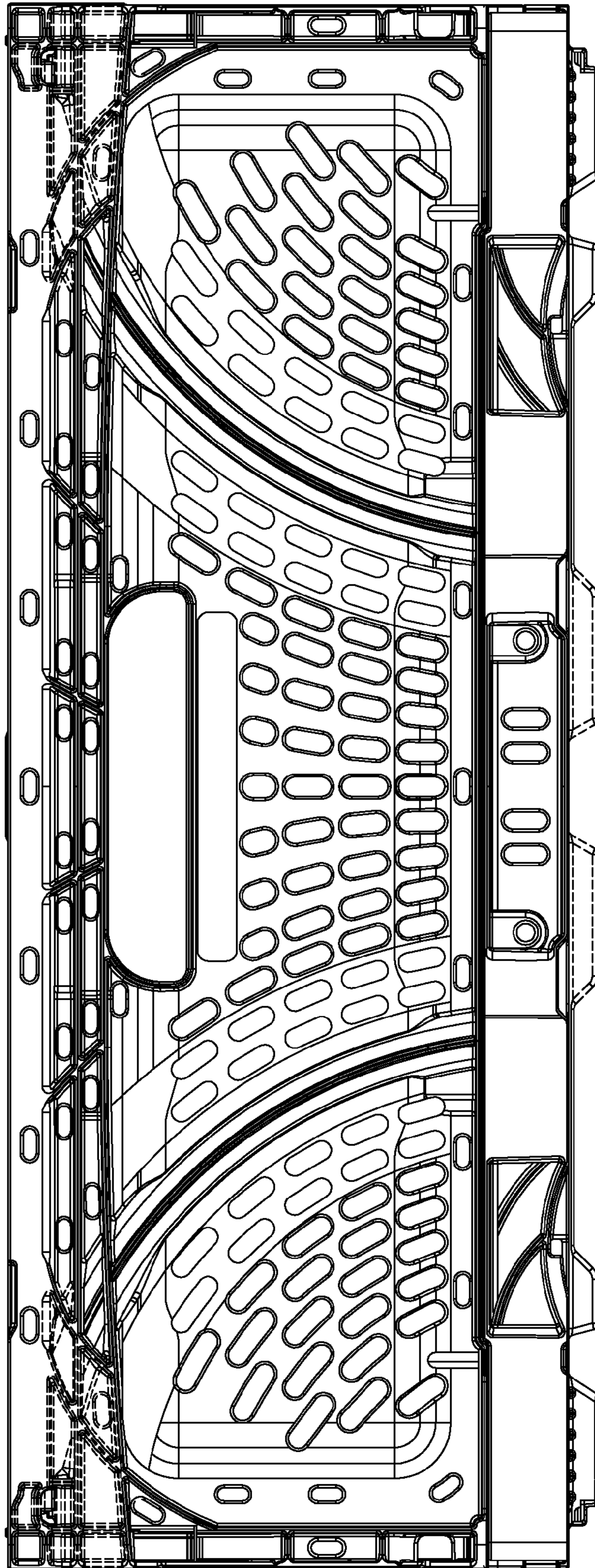


FIG. 3

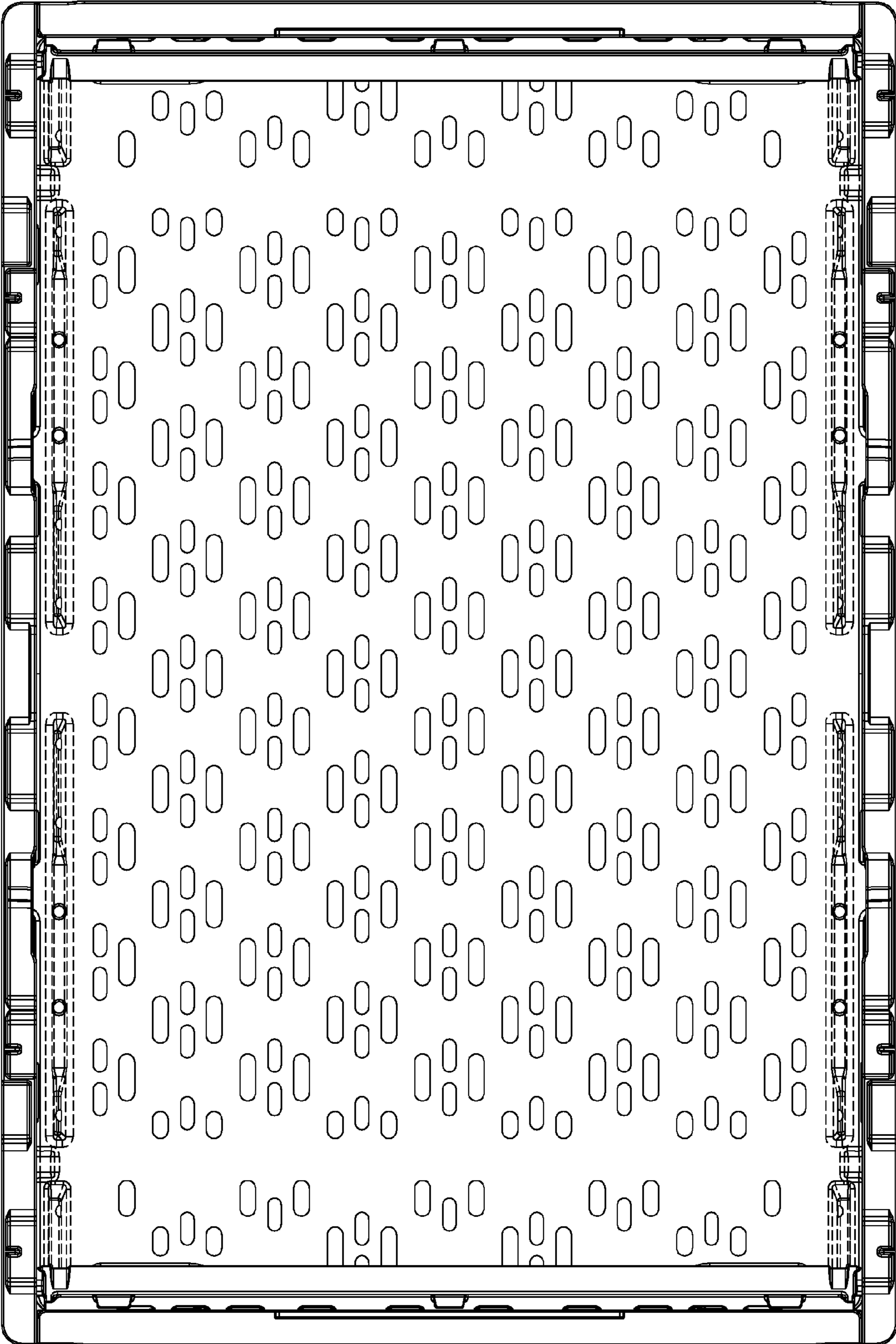


FIG. 4

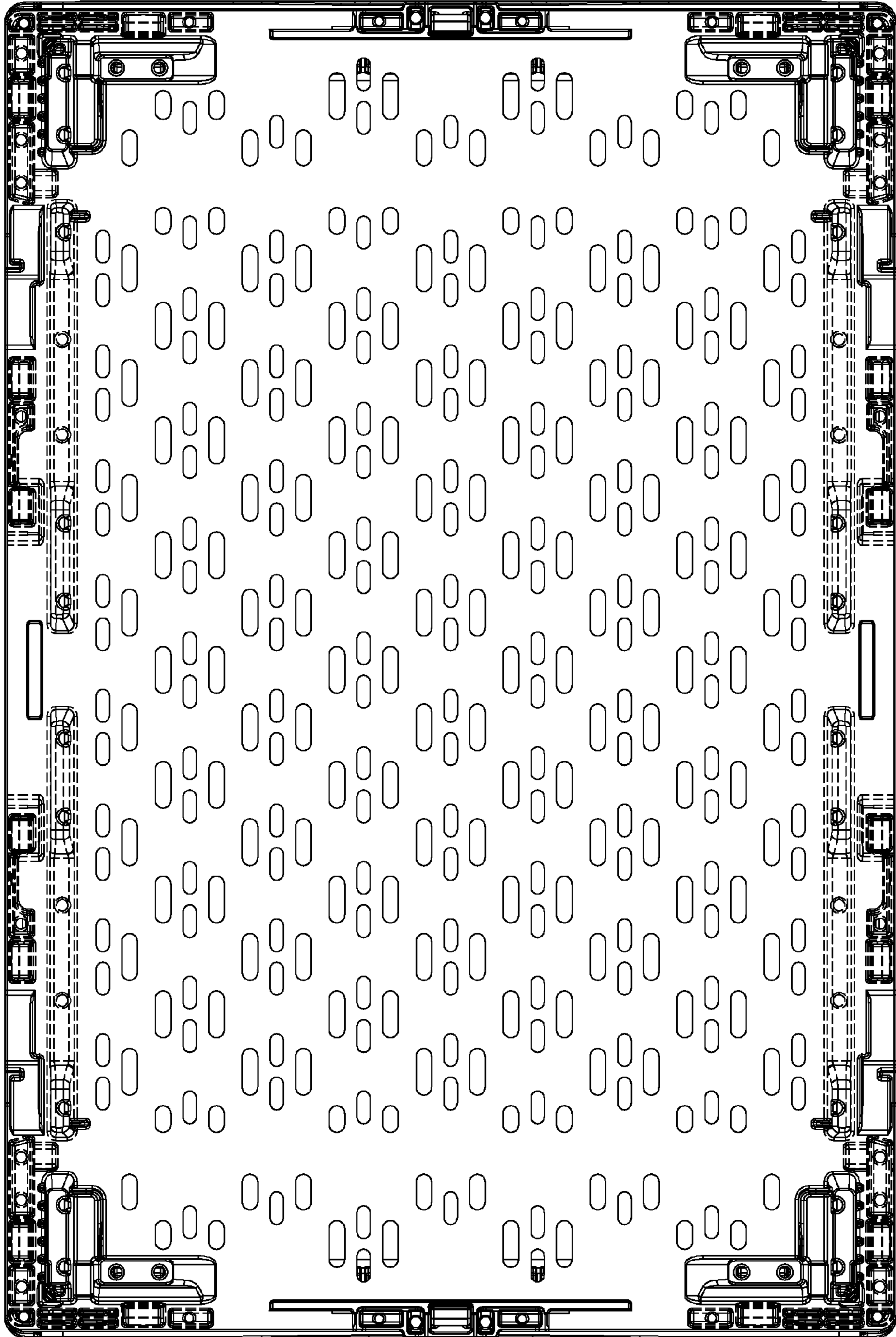


FIG. 5

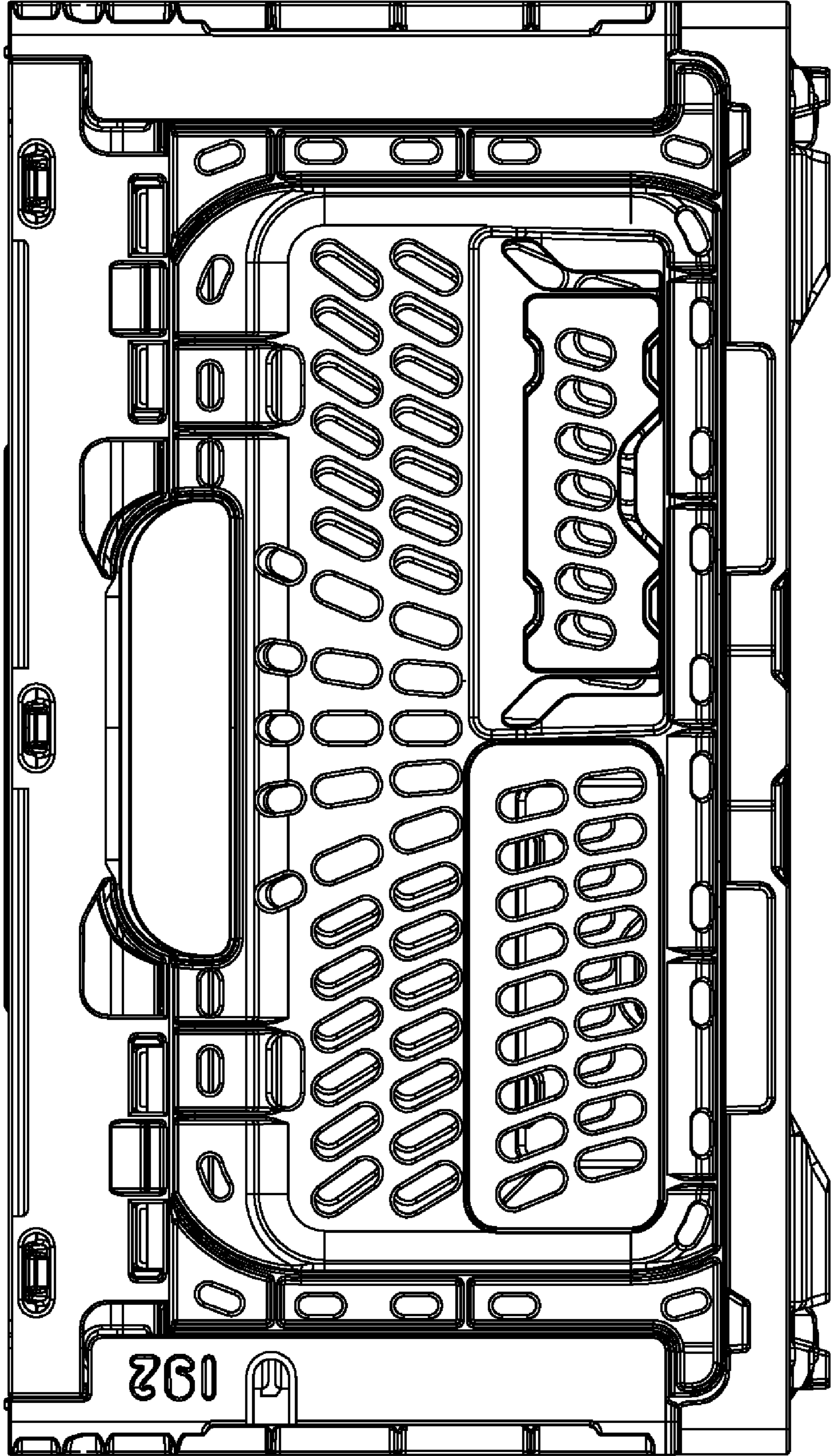


FIG. 6

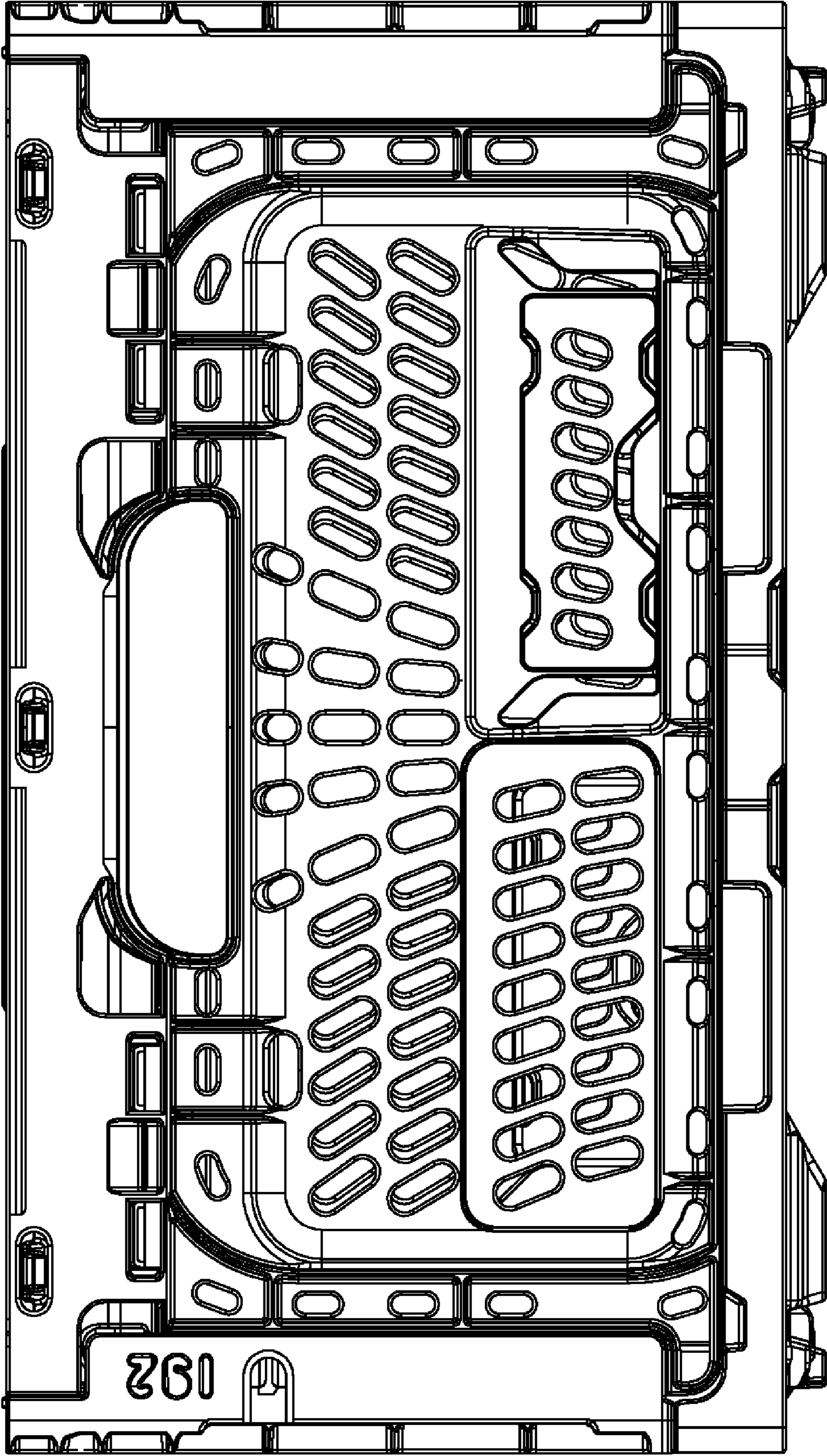


FIG. 7