



US00D600017S

(12) **United States Design Patent**
Christie

(10) **Patent No.:** **US D600,017 S**

(45) **Date of Patent:** **** Sep. 15, 2009**

(54) **CADDY WITH MOUNTING BRACKETS**

(76) Inventor: **William L. Christie**, 1501 E. Sleepy
Hollow Dr., Olathe, KS (US) 66062

(**) Term: **14 Years**

(21) Appl. No.: **29/318,593**

(22) Filed: **May 22, 2008**

Related U.S. Application Data

(63) Continuation-in-part of application No. 11/852,966,
filed on Sep. 10, 2007.

(51) **LOC (9) Cl.** **03-01**

(52) **U.S. Cl.** **D3/304**

(58) **Field of Classification Search** D3/304-315;
D19/75, 78, 86, 90, 91, 99, 100; D6/566,
D6/567, 569, 512, 553; 211/10, 11, 13.1,
211/45, 50, 52, 55, 87.01, 90.03, 126.9, 126.13,
211/88.01; 220/456; D23/267

See application file for complete search history.

(56) **References Cited**

U.S. PATENT DOCUMENTS

1,701,238 A * 2/1929 Kennedy 162/230
2,599,727 A * 6/1952 Schmidt 206/507
D235,621 S * 7/1975 Cawrse D9/425
D251,512 S * 4/1979 Freeman D28/61
D309,970 S * 8/1990 Embree et al. D3/304

D518,638 S * 4/2006 Nudo D3/304
7,392,911 B2 * 7/2008 Stitchick et al. 211/90.02
2003/0168464 A1 9/2003 Terenzoni

* cited by examiner

Primary Examiner—T. Chase Nelson
Assistant Examiner—Eric L Goodman
(74) *Attorney, Agent, or Firm*—Mark E. Brown

(57) **CLAIM**

The ornamental design for a caddy with mounting brackets,
as shown and described.

DESCRIPTION

FIG. 1 is an upper front perspective view of a caddy with
mounting brackets showing my new design;

FIG. 2 is an upper rear perspective view thereof;

FIG. 3 is a top plan view thereof;

FIG. 4 is a bottom plan view thereof;

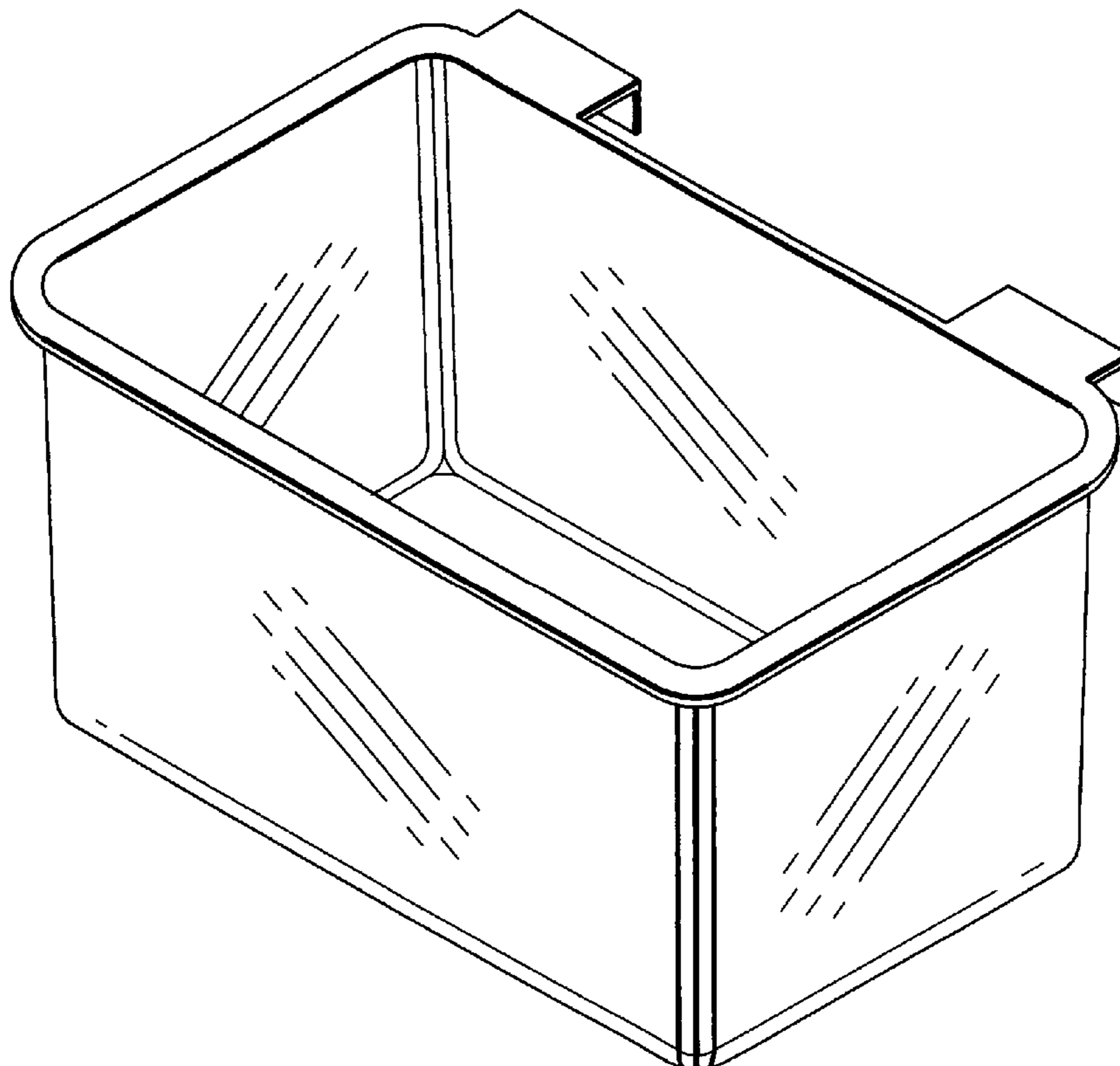
FIG. 5 is a rear elevational view thereof;

FIG. 6 is a front elevational view thereof;

FIG. 7 is a left right elevational view thereof, of the left side
being a mirror image thereof; and,

FIG. 8 is a vertical cross-sectional view thereof taken along
the line 8—8 in FIG. 3; the broken line showing of the gutter
in FIG. 8 is included for the purpose of illustrating environ-
mental structure and forms no part of the claimed design.

1 Claim, 5 Drawing Sheets



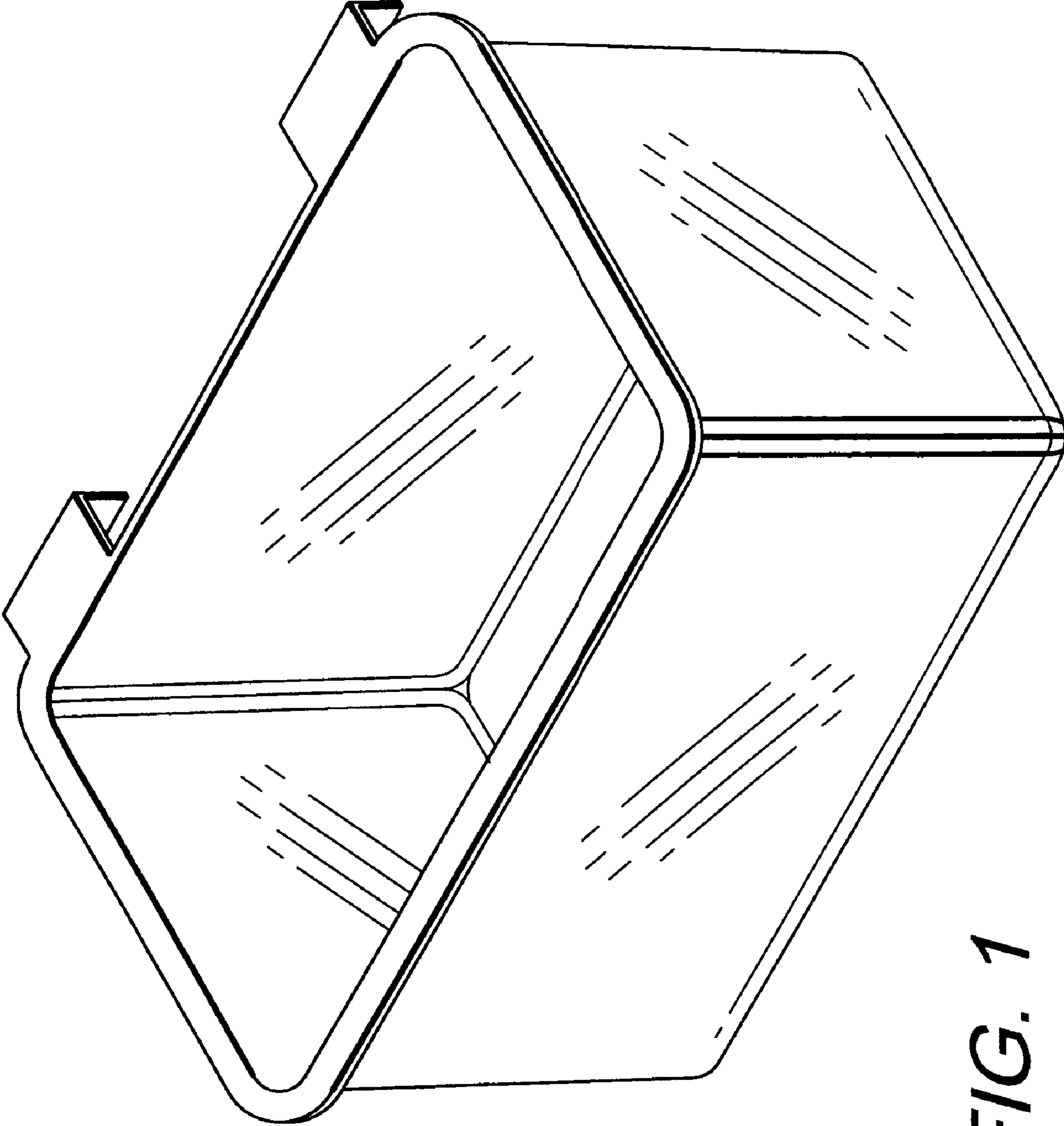


FIG. 1

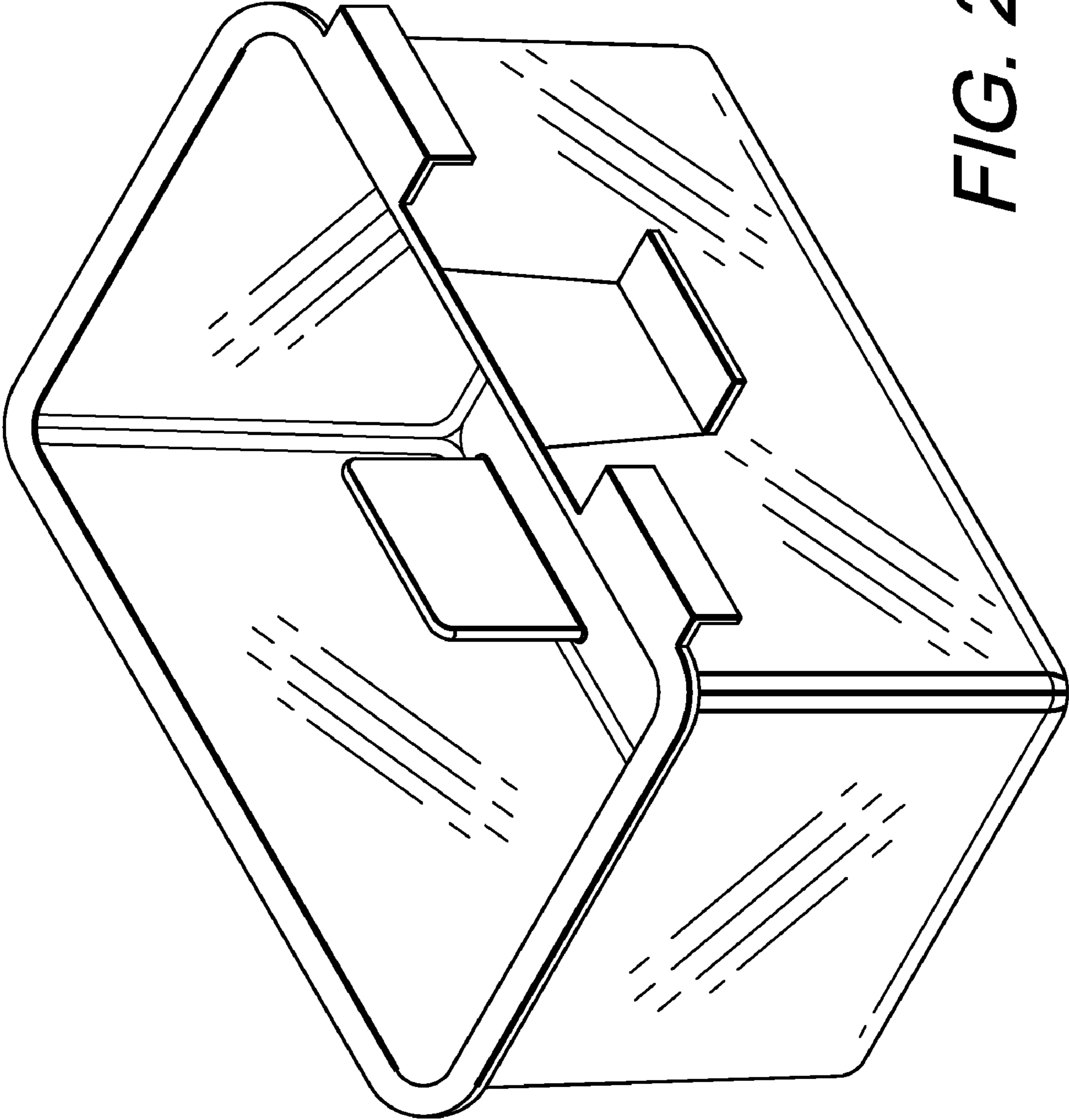
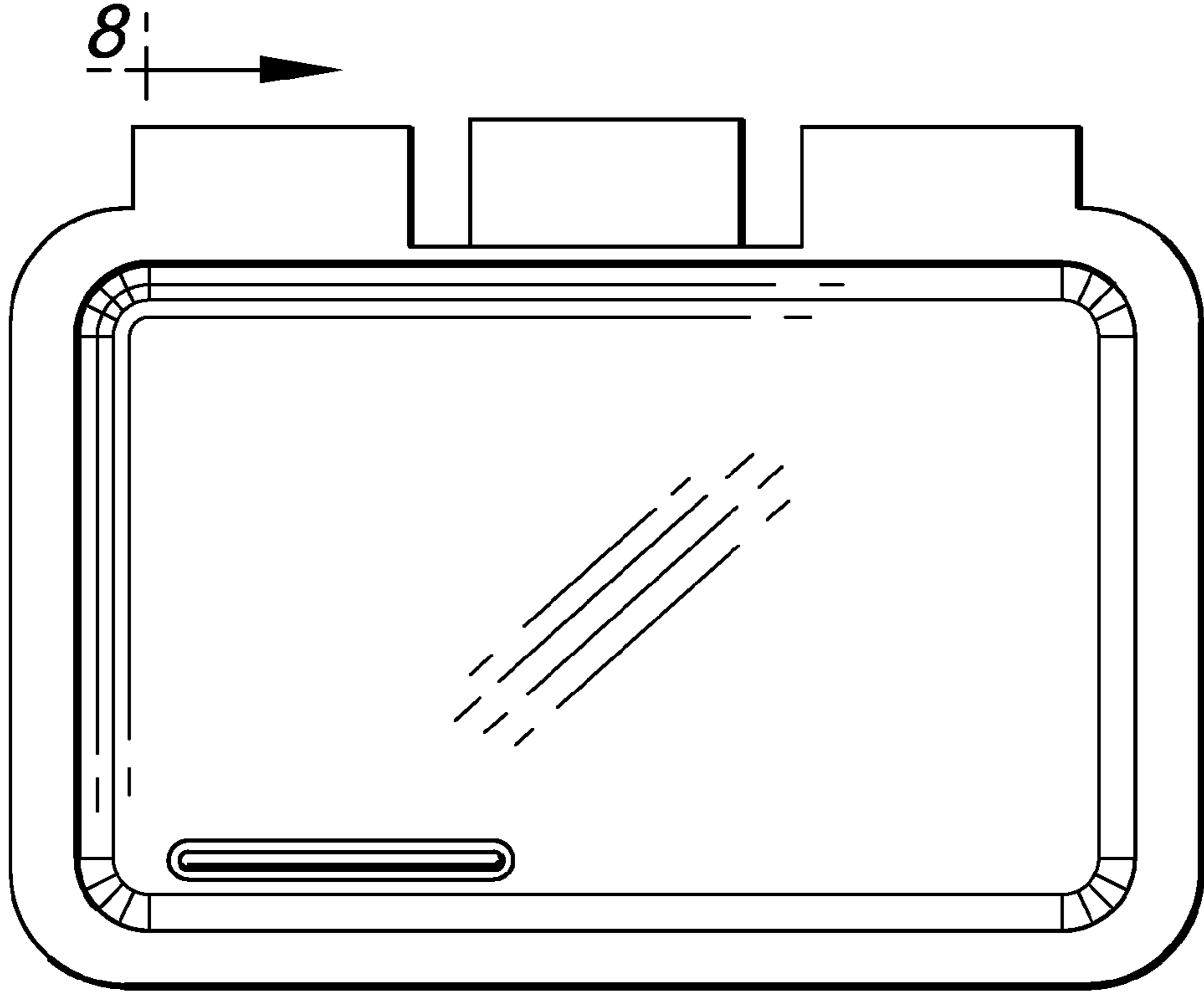


FIG. 2



8 → **FIG. 3**

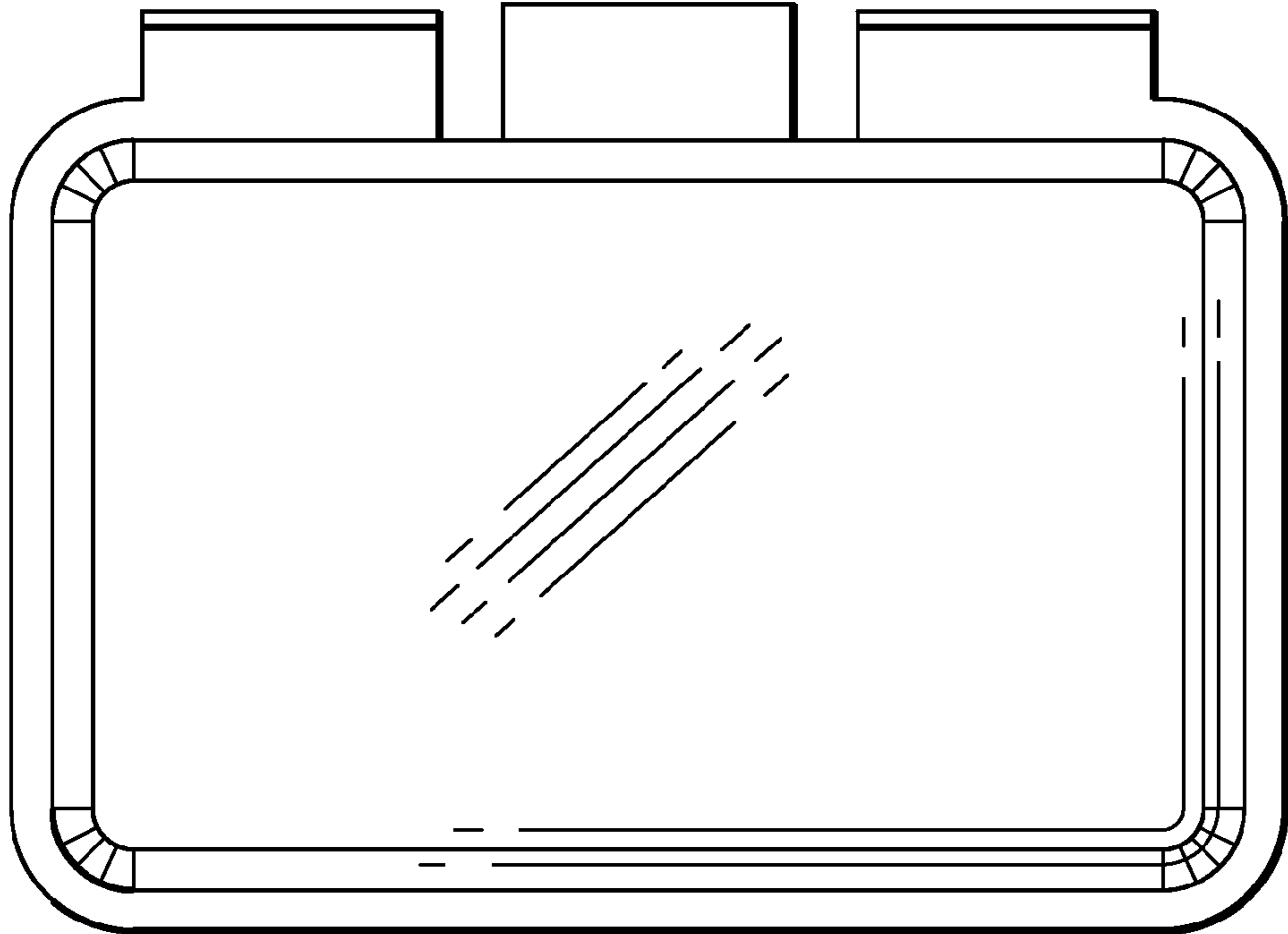


FIG. 4

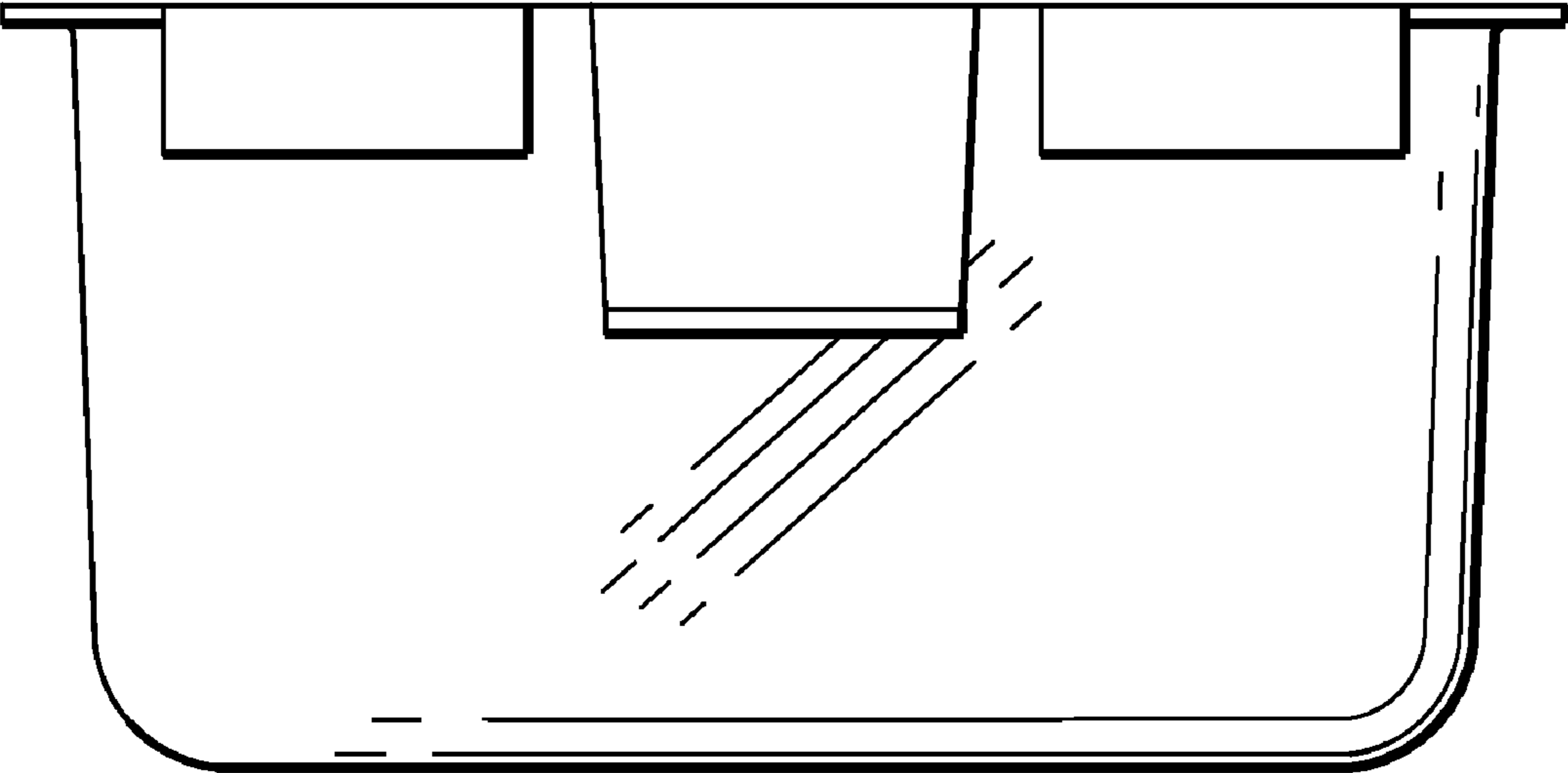


FIG. 5

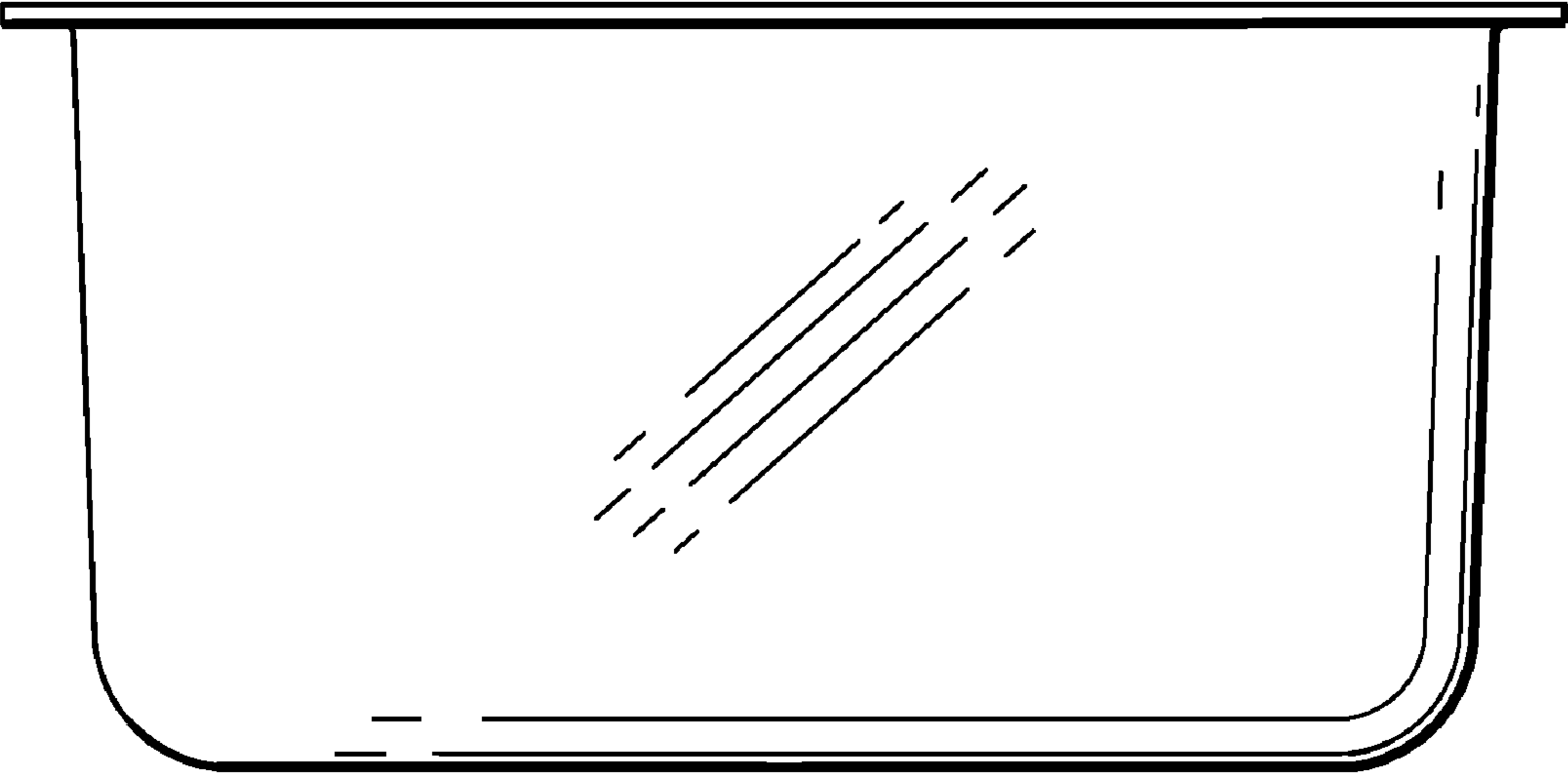


FIG. 6

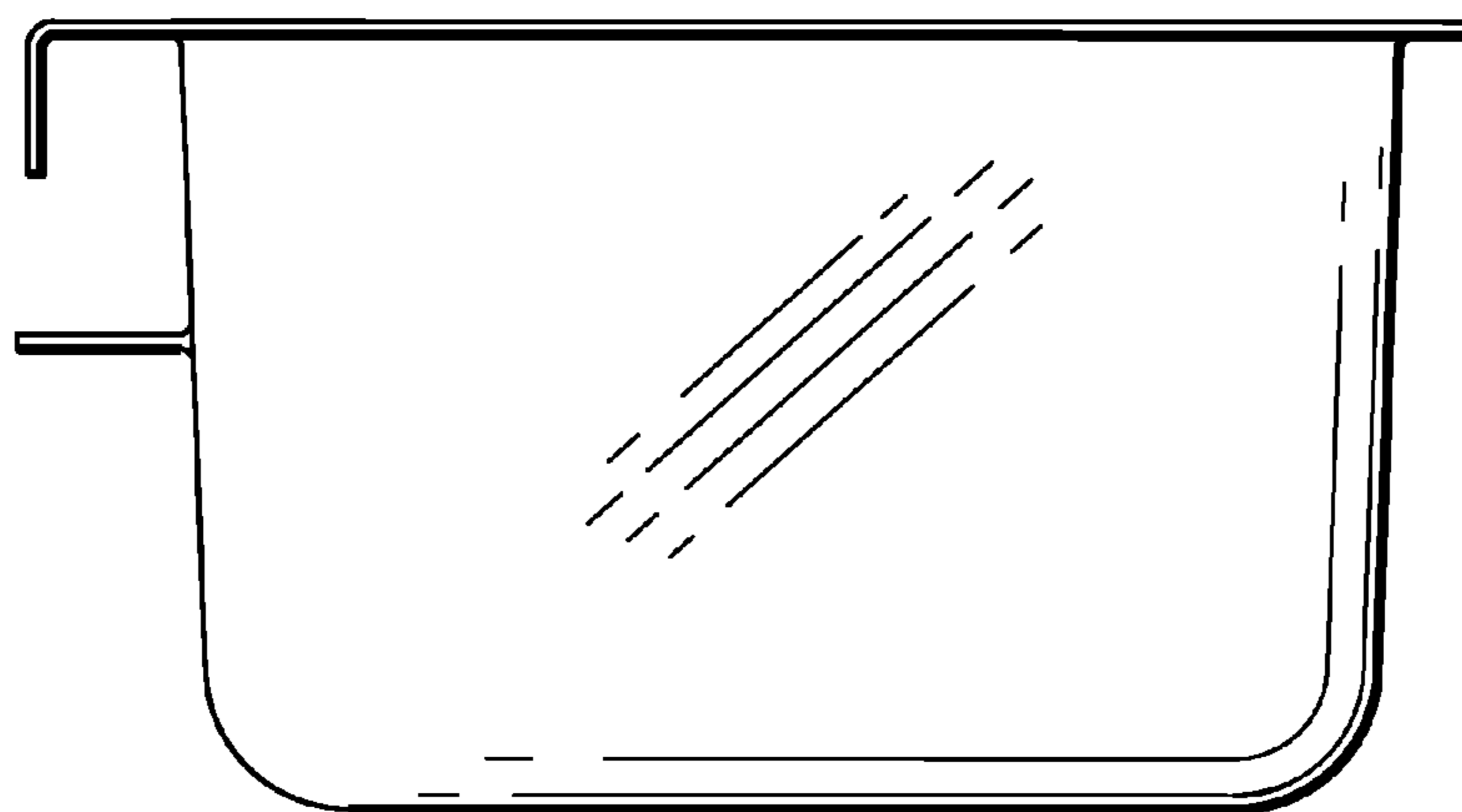


FIG. 7

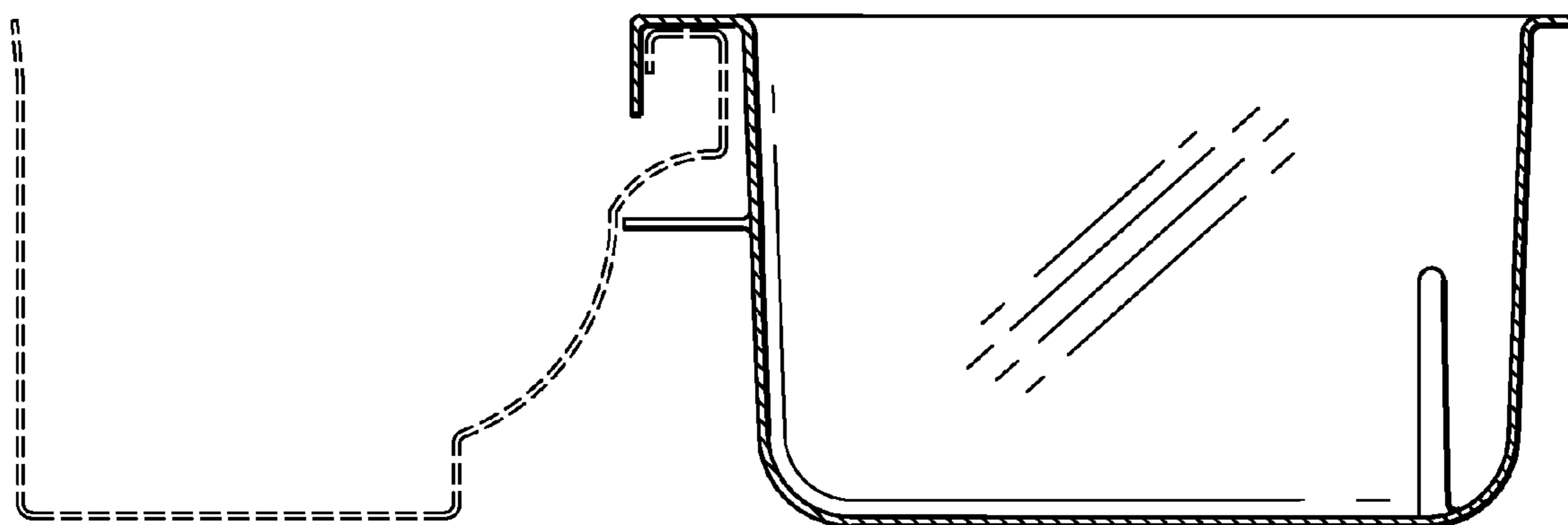


FIG. 8