



US00D600015S

(12) **United States Design Patent**
Wenchel et al.

(10) **Patent No.:** **US D600,015 S**
(45) **Date of Patent:** **** Sep. 15, 2009**

- (54) **TOOL STORAGE CASE**
 - (75) Inventors: **Lauren M. Wenchel**, Bel Air, MD (US);
Gabriel E. Concari, Eldersburg, MD (US)
 - (73) Assignee: **Black & Decker Inc.**, Newark, DE (US)
 - (**) Term: **14 Years**
 - (21) Appl. No.: **29/319,053**
 - (22) Filed: **Jun. 3, 2008**
 - (51) **LOC (9) Cl.** **03-01**
 - (52) **U.S. Cl.** **D3/294; D3/905**
 - (58) **Field of Classification Search** D3/201,
D3/228, 273, 282–284, 286, 294–295, 315,
D3/905; D9/424–426; D28/83; 206/349,
206/372–377, 379
- See application file for complete search history.

- D490,977 S * 6/2004 Freeman D3/273
- D496,793 S 10/2004 Pangerc et al.
- D505,549 S * 5/2005 Hosking D14/509
- D507,701 S * 7/2005 Chen D3/282
- 6,994,214 B2 2/2006 Yang
- 7,048,133 B2 5/2006 Pangerc et al.
- D523,242 S 6/2006 Hardigg et al.
- D529,289 S * 10/2006 Roesler D3/294
- D529,716 S * 10/2006 Wang D3/282
- D530,092 S * 10/2006 Roesler D3/294
- 7,121,407 B2 10/2006 Hurt et al.
- 7,237,688 B2 7/2007 Pangerc et al.
- D563,669 S 3/2008 Bosak et al.
- D563,671 S * 3/2008 Cornwell et al. D3/294
- 7,367,451 B2 5/2008 Pendergraph et al.
- D572,479 S * 7/2008 Buck et al. D3/282
- D572,480 S * 7/2008 Buck et al. D3/294
- 2004/0188279 A1 * 9/2004 Chen 206/216
- 2005/0029139 A1 2/2005 Chen

* cited by examiner

Primary Examiner—Philip S Hyder
Assistant Examiner—Roselynn Cody
(74) *Attorney, Agent, or Firm*—Scott B. Markow

(56) **References Cited**

U.S. PATENT DOCUMENTS

- D294,775 S * 3/1988 Rechberg D3/279
- 4,884,689 A 12/1989 Su-Chin
- D328,189 S * 7/1992 Hillinger D3/282
- D343,731 S 2/1994 Tsumita
- D368,371 S 4/1996 Calmeise
- 5,570,784 A 11/1996 Sidabras et al.
- D378,634 S * 4/1997 LaPere D3/273
- D390,357 S 2/1998 Rosen
- 5,887,715 A 3/1999 Vasudeva
- D418,977 S * 1/2000 Streich D3/273
- D428,699 S * 8/2000 Gibson et al. D3/282
- D429,884 S 8/2000 Zurwelle et al.
- D437,684 S * 2/2001 Streich et al. D3/273
- D447,634 S * 9/2001 Snider D3/294
- D448,167 S * 9/2001 Pangerc et al. D3/294
- 6,405,864 B1 6/2002 Streich et al.
- 6,523,687 B2 * 2/2003 Ling 206/378
- D473,713 S * 4/2003 Chen D3/282
- D475,853 S * 6/2003 Chen D3/294
- 6,591,985 B2 * 7/2003 Lai 206/373
- D477,912 S * 8/2003 Cunningham et al. D3/273
- D478,209 S 8/2003 Chen
- D482,869 S * 12/2003 Chen D3/282
- D487,970 S 4/2004 Meier et al.

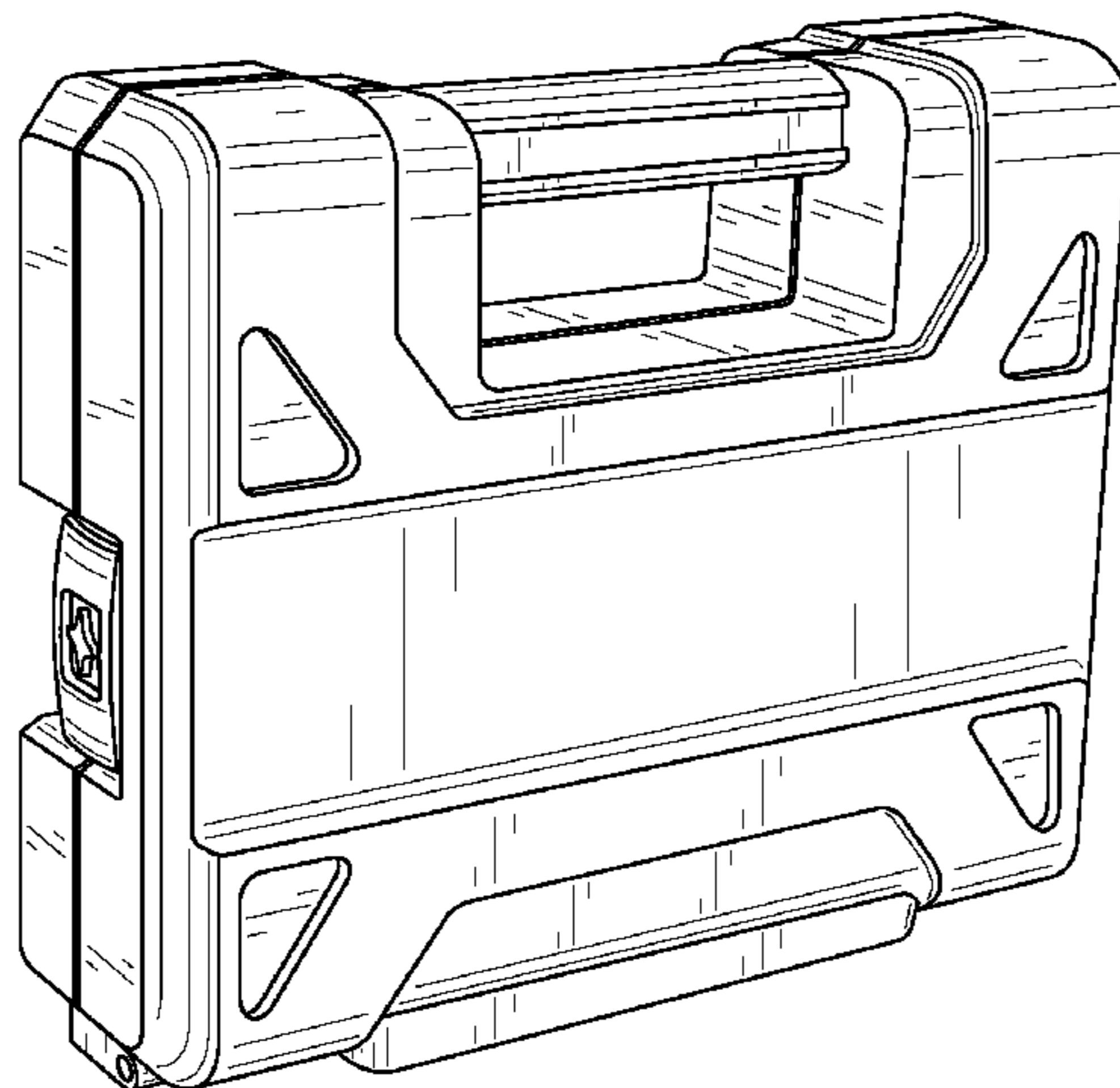
(57) **CLAIM**

The ornamental design for a tool storage case, as shown and described.

DESCRIPTION

FIG. 1 is a perspective view of the tool storage case in the closed position.
FIG. 2 is a front view thereof.
FIG. 3 is a back view thereof.
FIG. 4 is a left view thereof.
FIG. 5 is a right view thereof.
FIG. 6 is a top view thereof; and,
FIG. 7 is a bottom view thereof.
The features shown in broken lines illustrate environment and form no part of the claimed design.

1 Claim, 5 Drawing Sheets



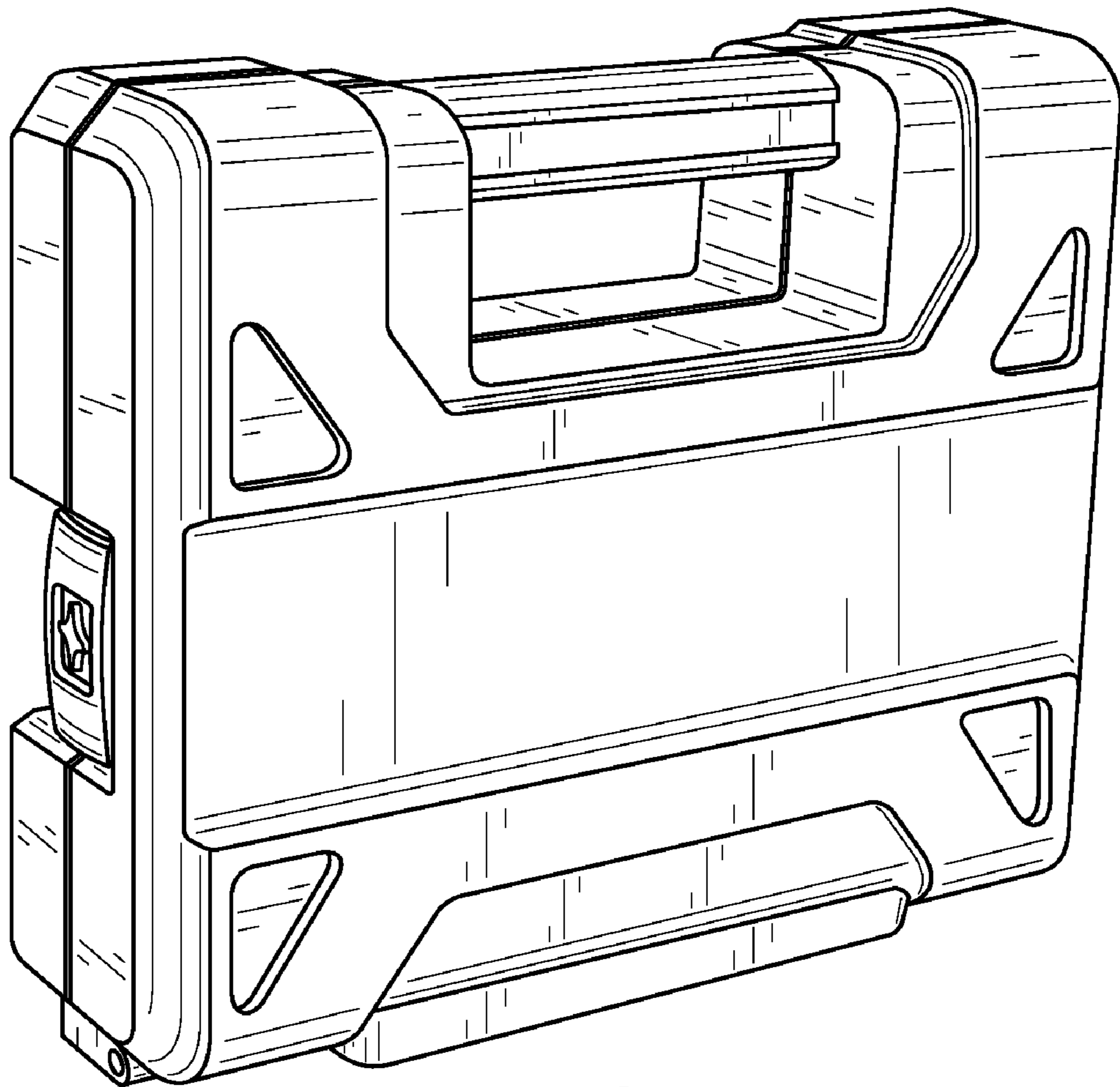


FIG. 1

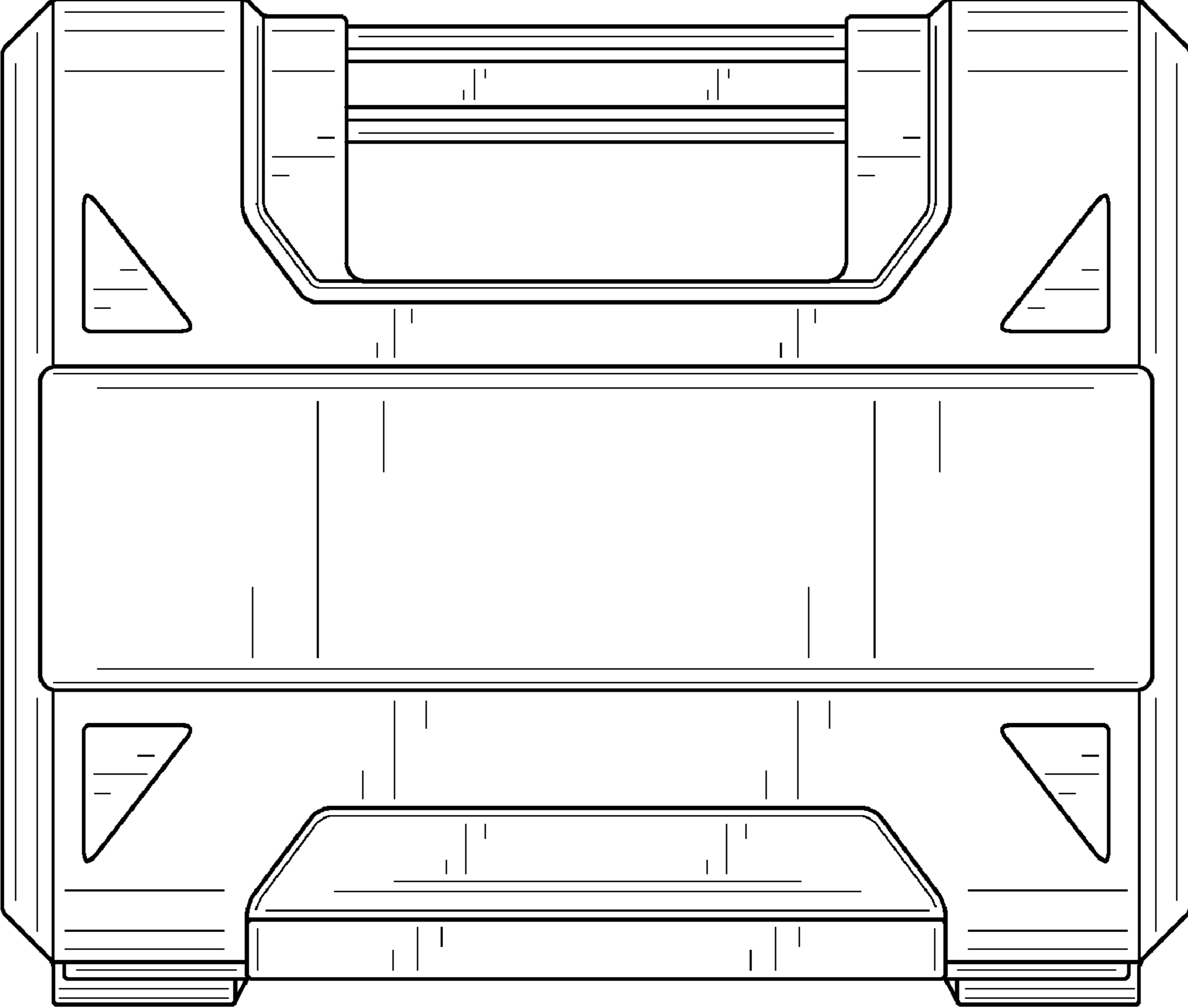


FIG. 2

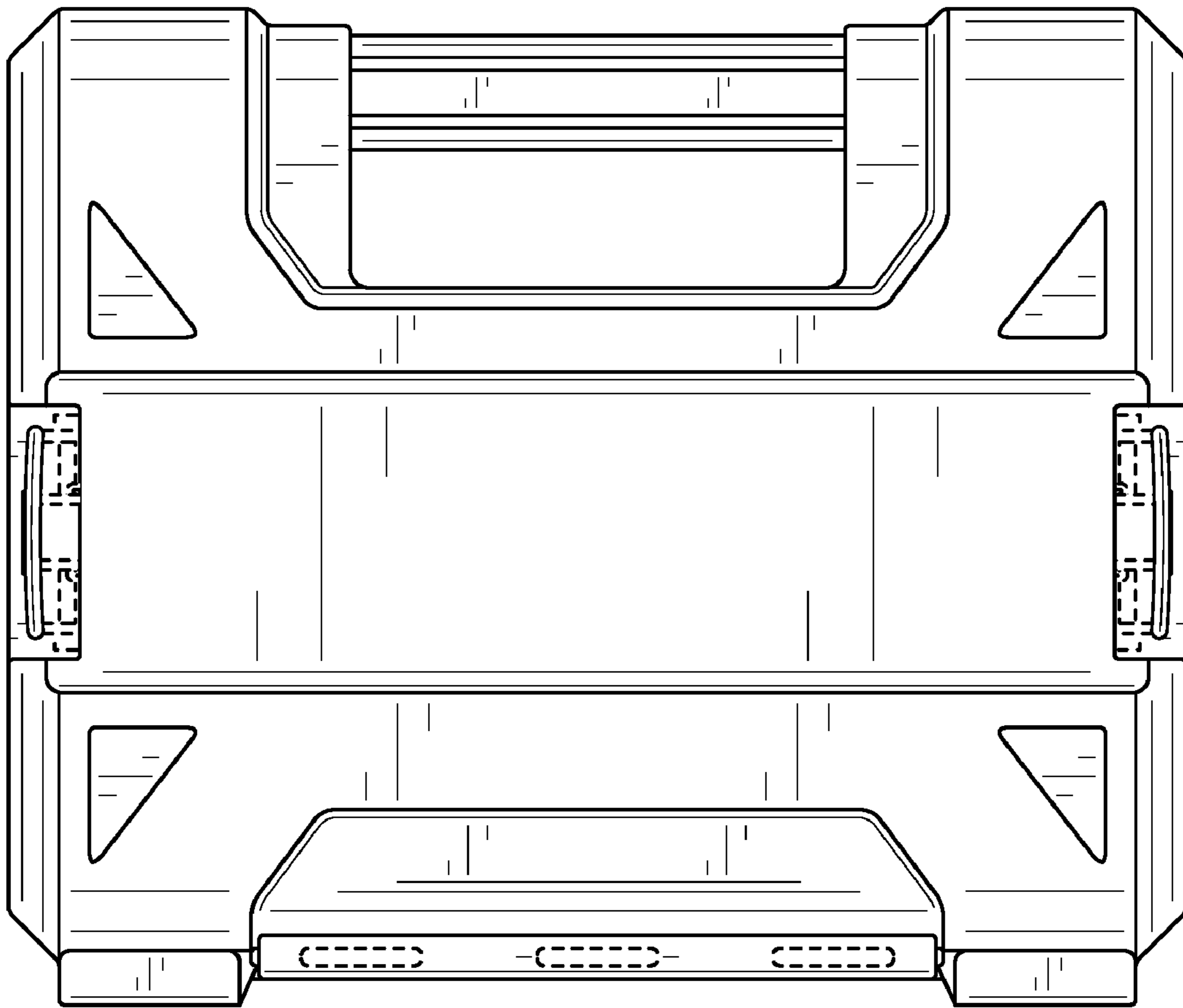


FIG. 3

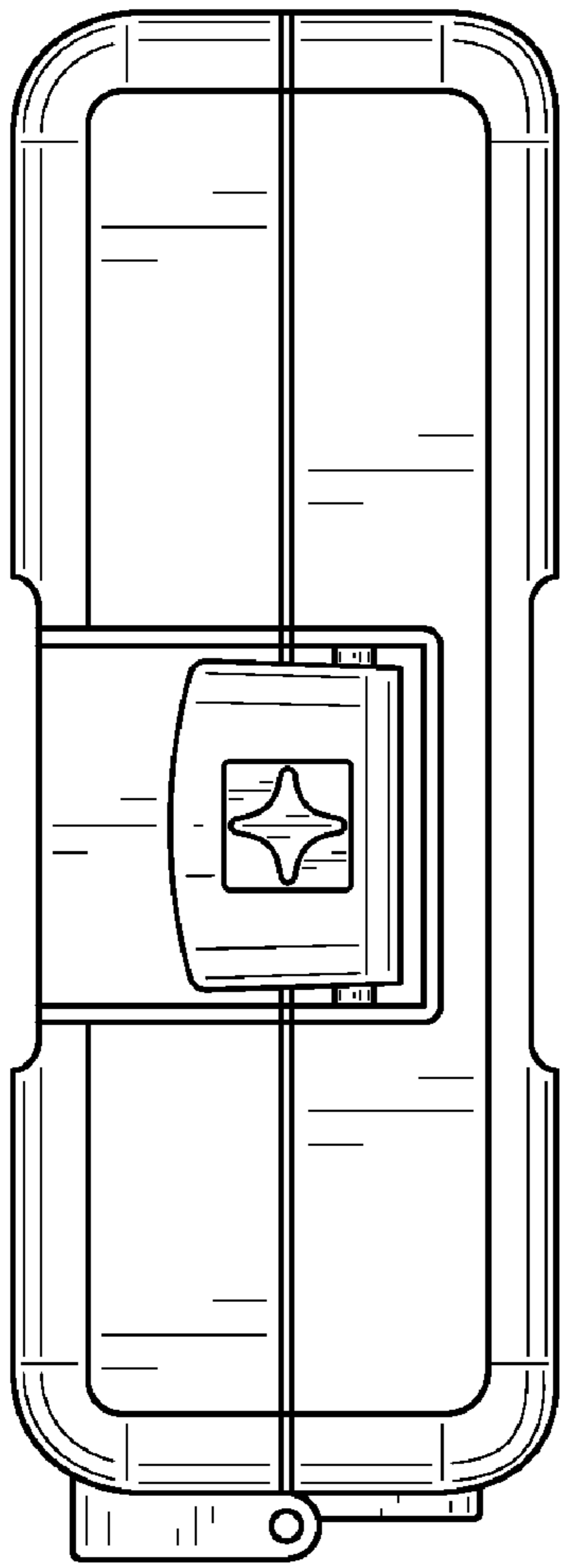


FIG. 4

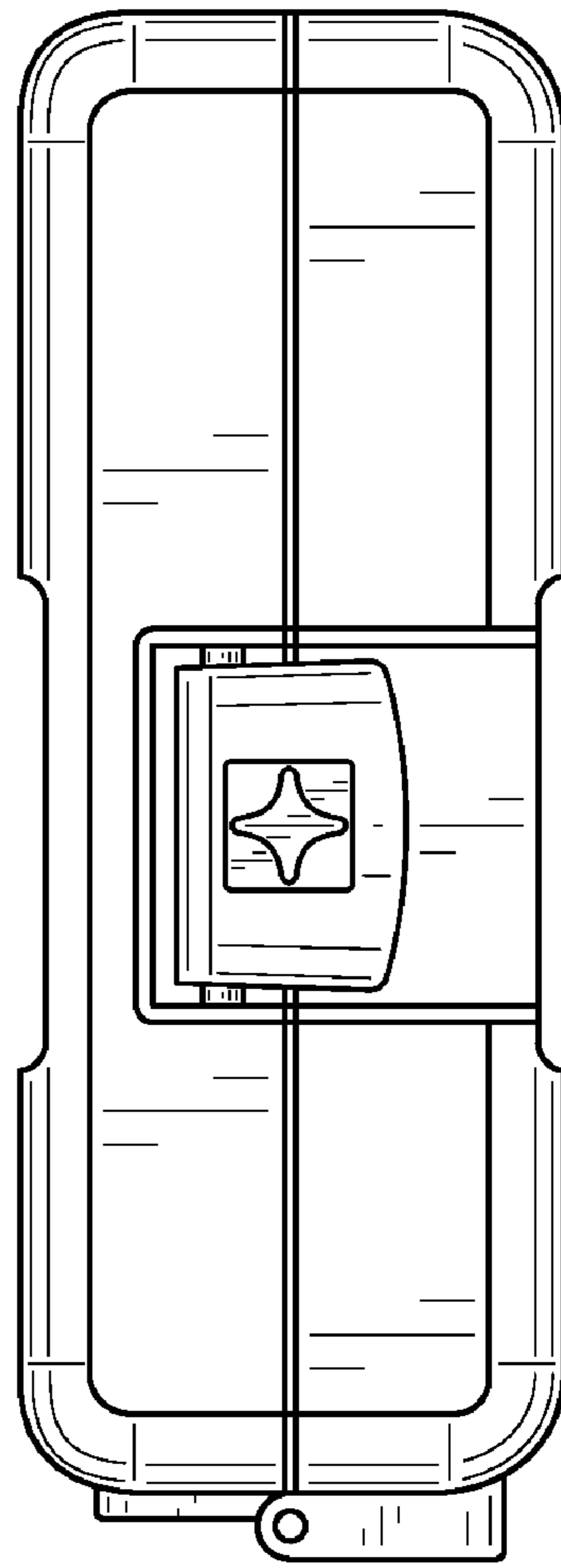


FIG. 5

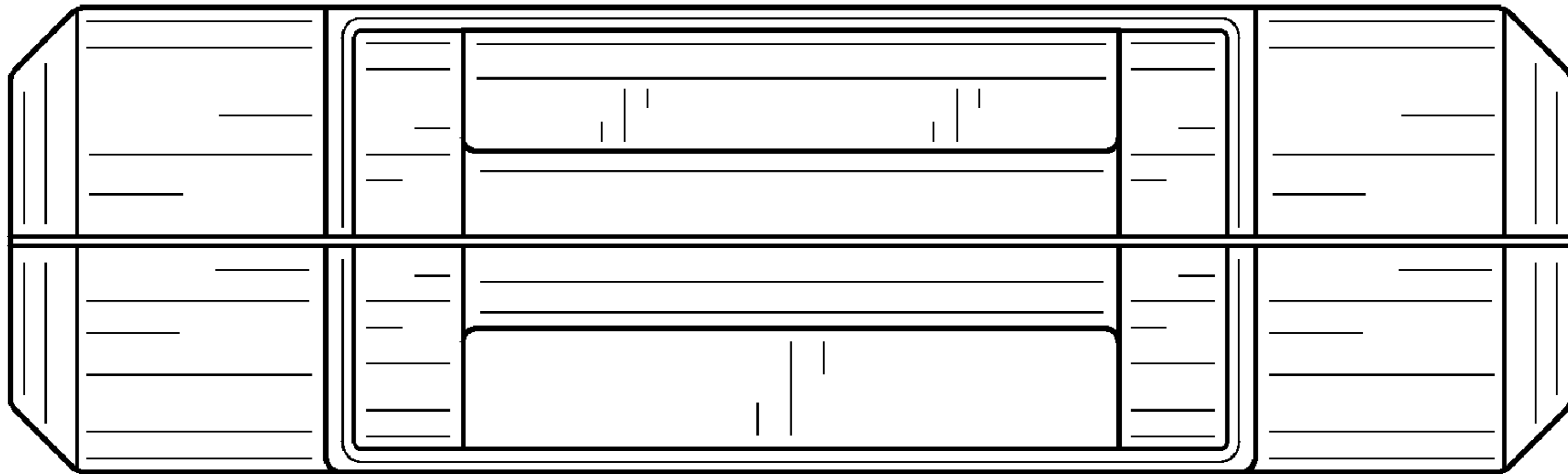


FIG. 6

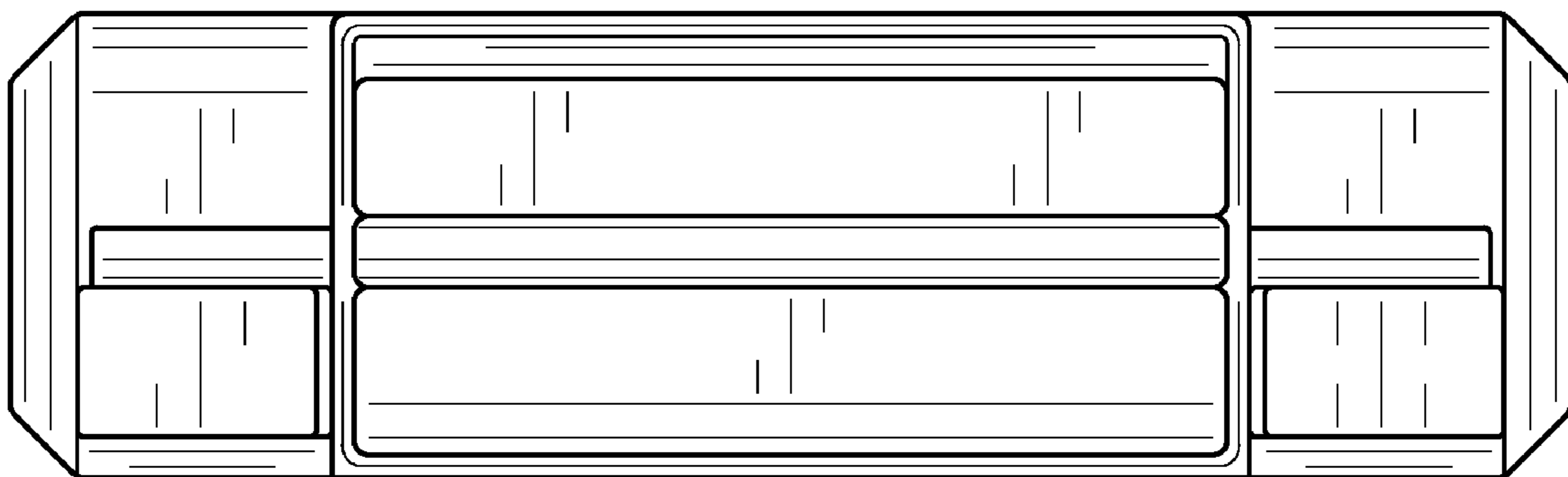


FIG. 7