



(12) **United States Design Patent**
McCune

(10) **Patent No.:** **US D600,013 S**
(45) **Date of Patent:** **** Sep. 15, 2009**

(54) **PERSONAL MEDIA PLAYER CASE**

(75) Inventor: **Matthew McCune**, Bozeman, MT (US)

(73) Assignee: **Contego, Inc.**, Bozeman, MT (US)

(**) Term: **14 Years**

(21) Appl. No.: **29/317,510**

(22) Filed: **Apr. 30, 2008**

(51) **LOC (9) Cl.** **03-01**

(52) **U.S. Cl.** **D3/273**

(58) **Field of Classification Search** D3/201,
D3/215, 218, 269; D14/217, 432, 496; 206/320,
206/576; 455/569.1, 575.2, 575.8

See application file for complete search history.

(56) **References Cited**

U.S. PATENT DOCUMENTS

D527,176 S *	8/2006	Andre et al.	D3/218
D539,530 S *	4/2007	Sanderson et al.	D3/218
D551,846 S *	10/2007	Ko et al.	D3/201
D551,847 S *	10/2007	Yeap et al.	D3/201
D556,448 S *	12/2007	Brandenburg	D3/218
D557,205 S *	12/2007	Kim	D13/103
D558,973 S *	1/2008	Hussaini et al.	D3/201
D559,267 S *	1/2008	Griffin	D14/496
D563,093 S *	3/2008	Nussberger	D3/201
D565,835 S *	4/2008	Lin	D3/201
D565,839 S *	4/2008	Allen	D3/218
D569,607 S *	5/2008	Calco et al.	D3/201
D570,593 S *	6/2008	Justiss	D3/201
D577,904 S *	10/2008	Sasaki	D3/201
D581,155 S *	11/2008	Richardson et al.	D3/218
D583,145 S *	12/2008	Muncy et al.	D3/218
2007/0184781 A1 *	8/2007	Huskinson	455/42
2007/0278128 A1 *	12/2007	Slaton	206/576

2008/0158808 A1* 7/2008 Camarena et al. 361/685

OTHER PUBLICATIONS

Vibe Vault. Downloaded Feb. 15, 2009 at <http://vibevault.com/xcart/home.php>.*

* cited by examiner

Primary Examiner—Philip S Hyder

Assistant Examiner—Roselyne Cody

(74) *Attorney, Agent, or Firm*—Sarah J. Rhoades

(57) **CLAIM**

The ornamental design for a personal media player case, as shown and described.

DESCRIPTION

FIG. 1 is a perspective front view of a personal media player case according to the present invention.

FIG. 2 is an exploded, perspective front view of a personal media player case according to the present invention.

FIG. 3 is a rear view of a personal media player case according to the present invention.

FIG. 4 is a exploded, rear-perspective view of a personal media player case according to the present invention.

FIG. 5 is a top plan view of a personal media player case according to the present invention.

FIG. 6 is a bottom plan view of a personal media player case according to the present invention.

FIG. 7 is a left elevation view of a personal media player case according to the present invention; and,

FIG. 8 is a right elevation view of a personal media player case according to the present invention.

The portions of the drawings shown in broken lines are environmental structure and are not part of the design sought to be patented.

1 Claim, 8 Drawing Sheets

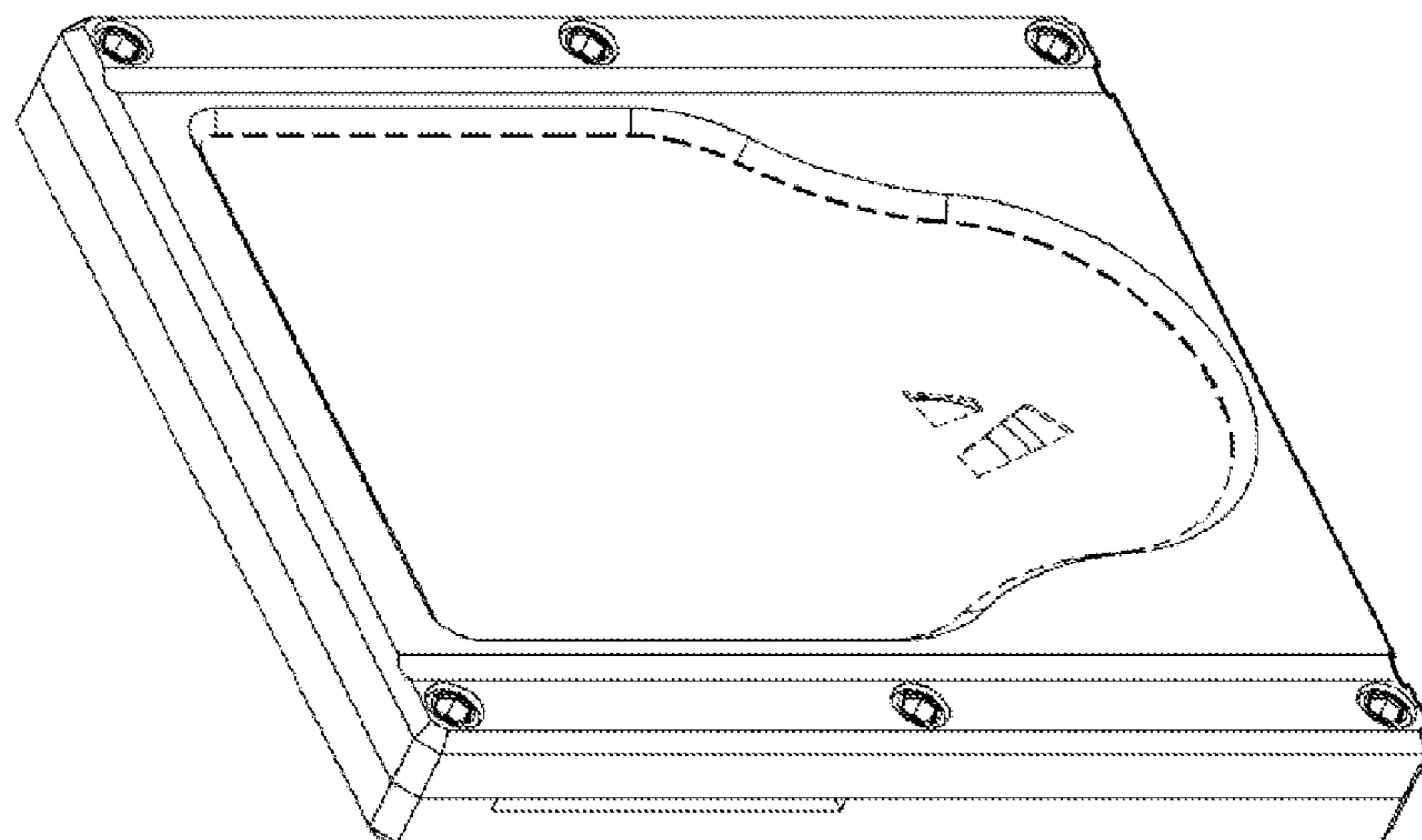


Figure 1

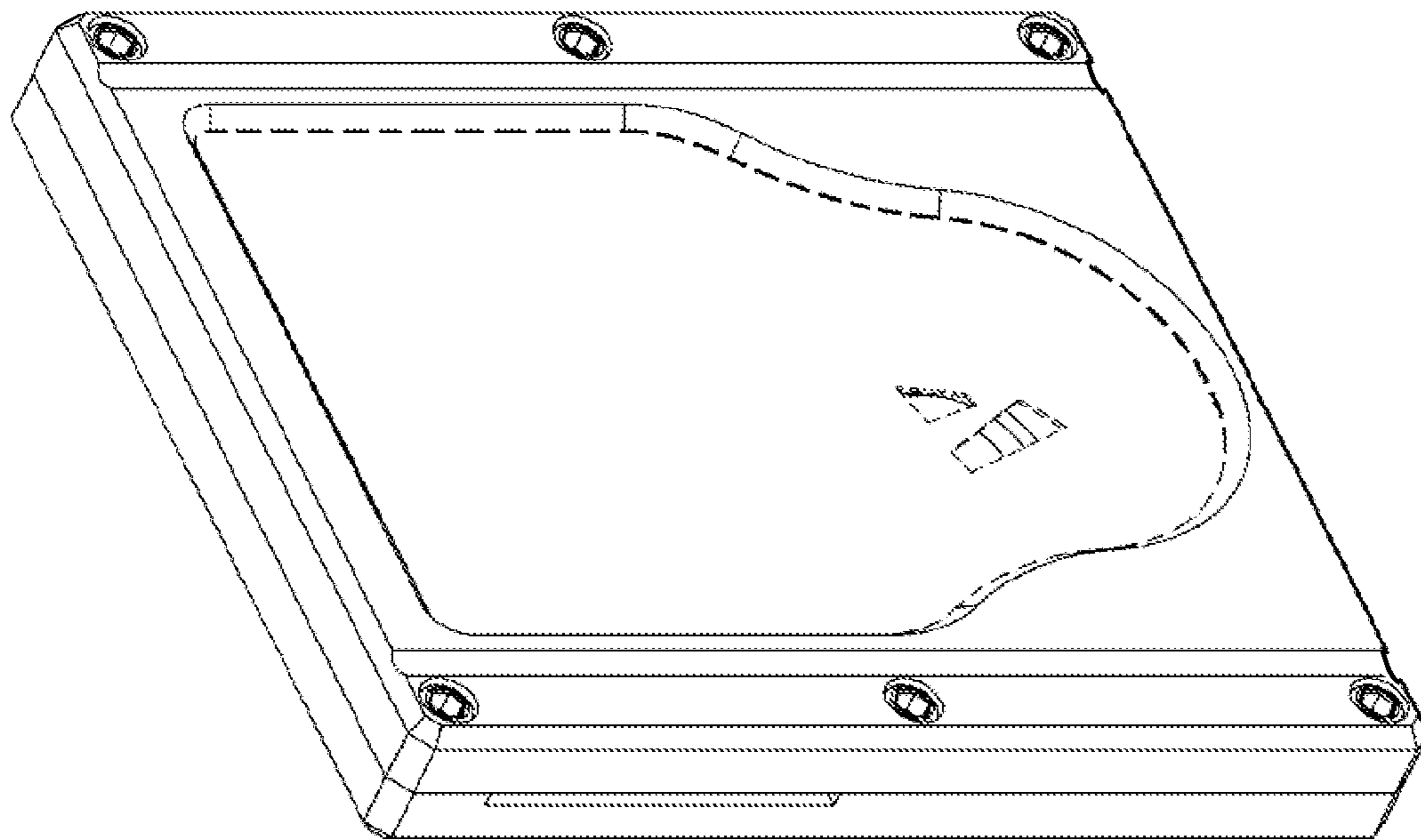


Figure 2

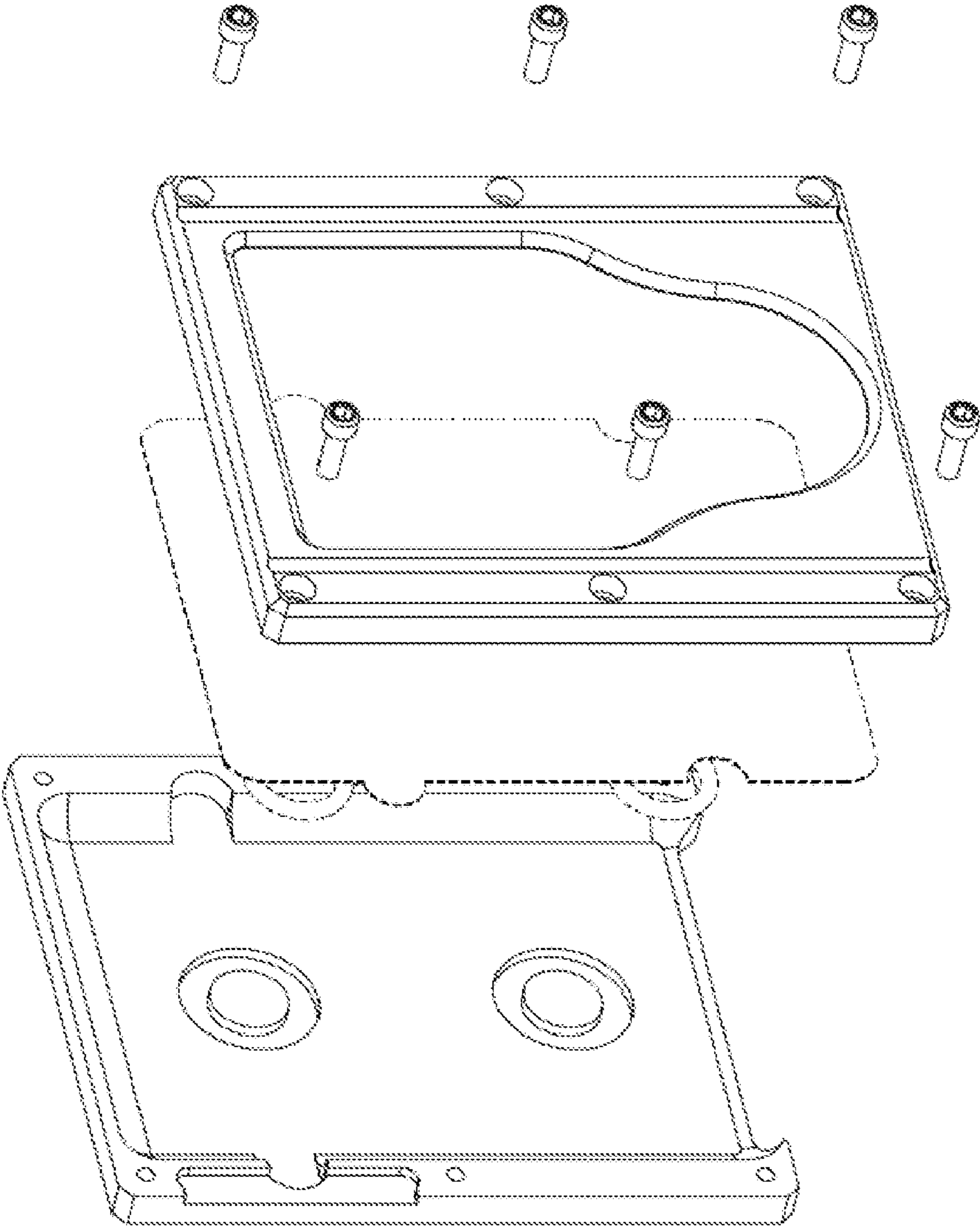


Figure 3

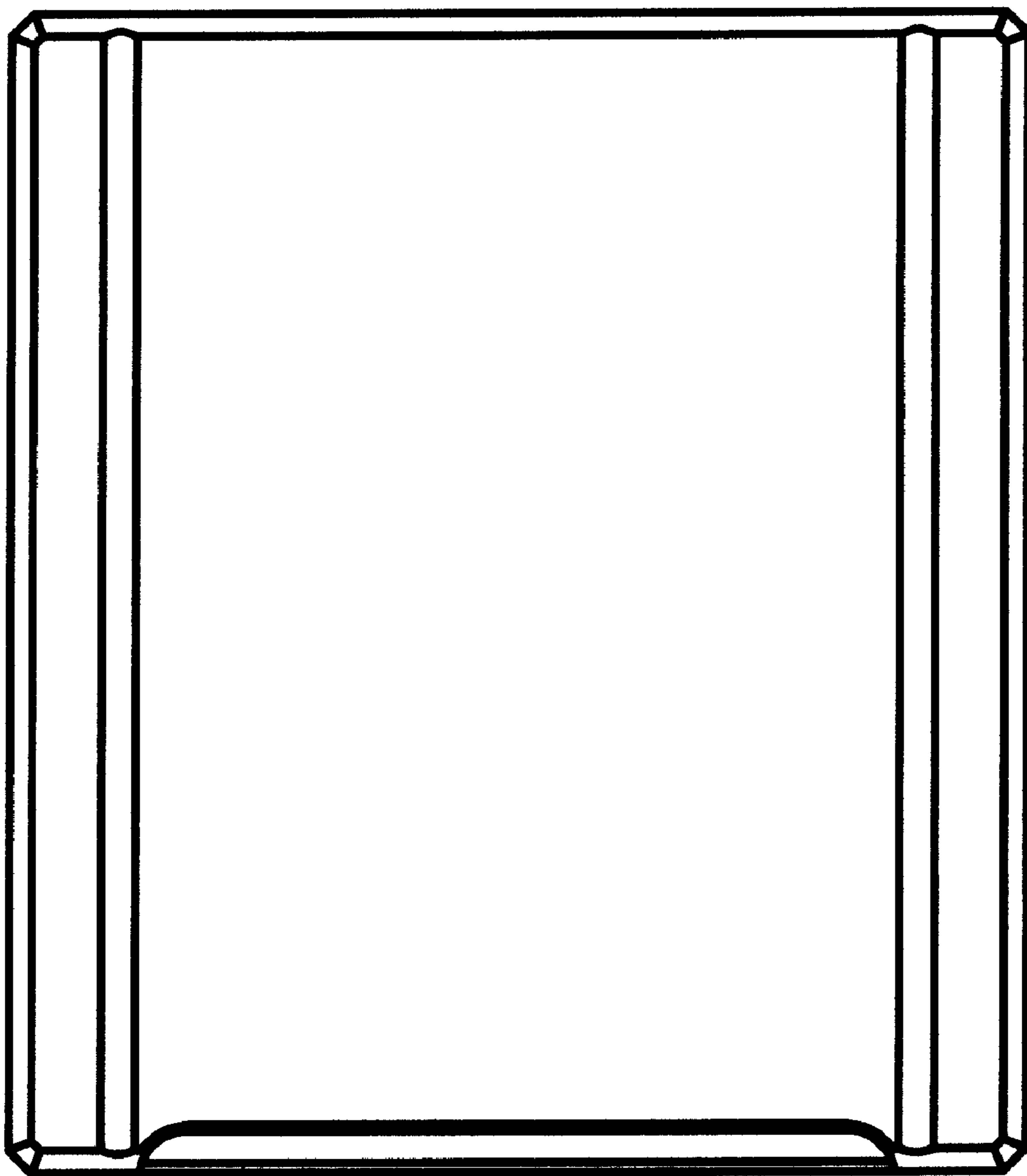


Figure 4

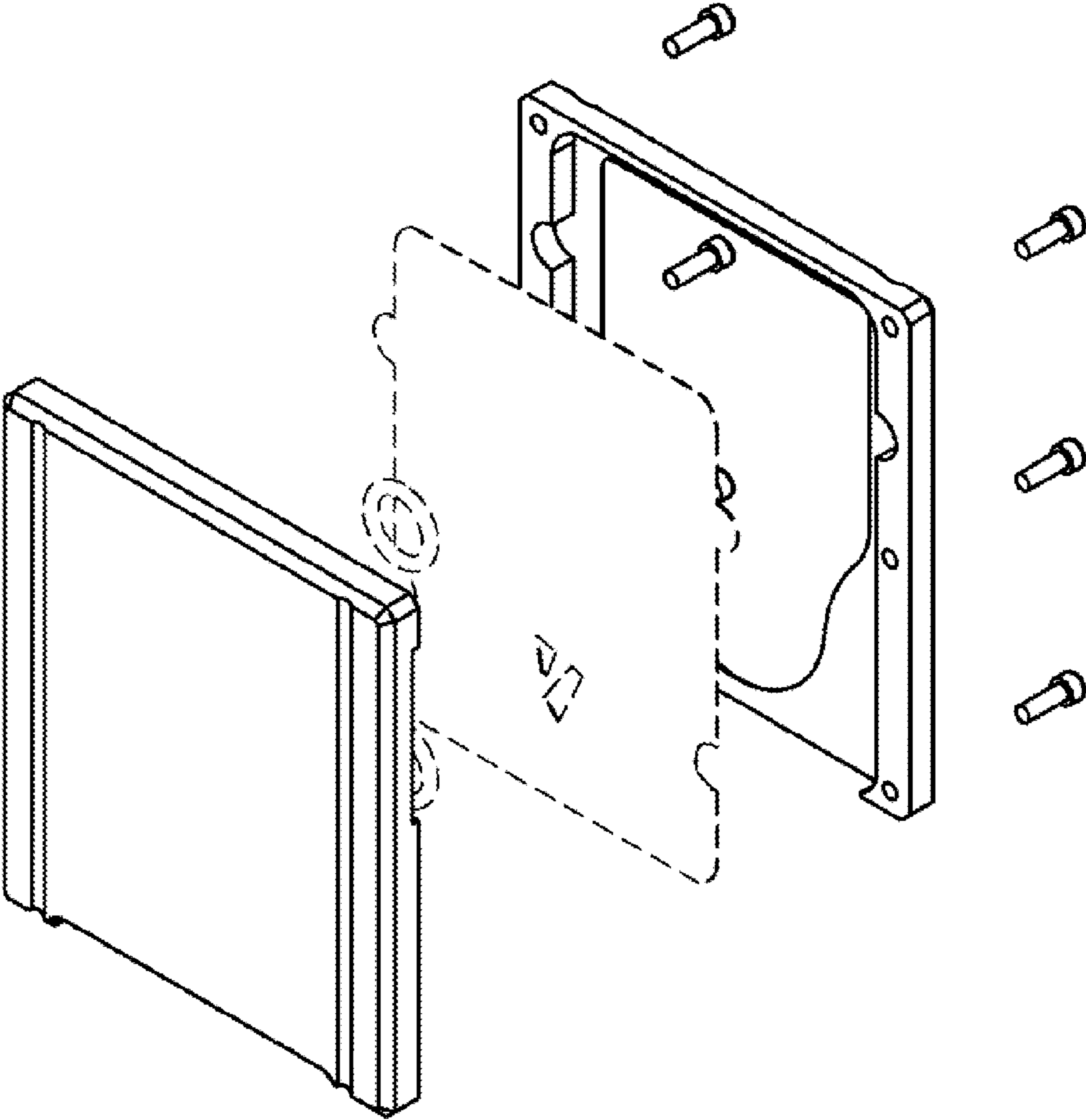


Figure 5

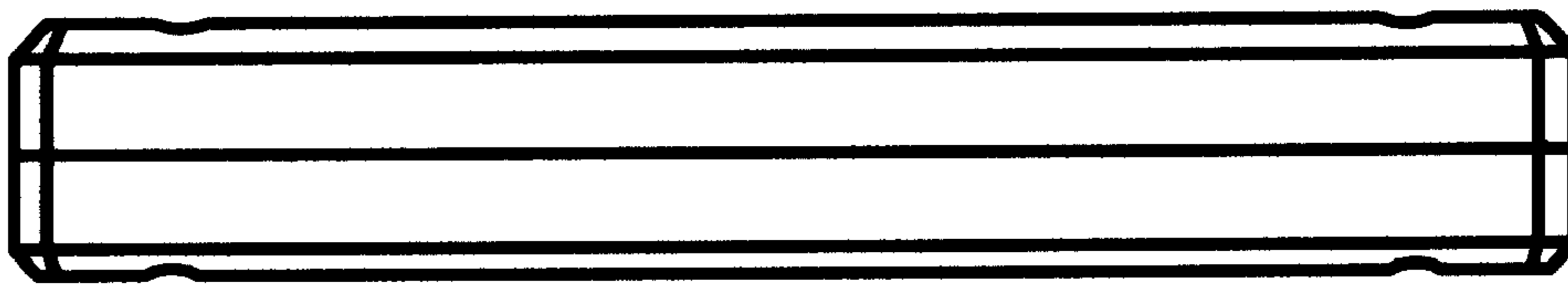


Figure 6

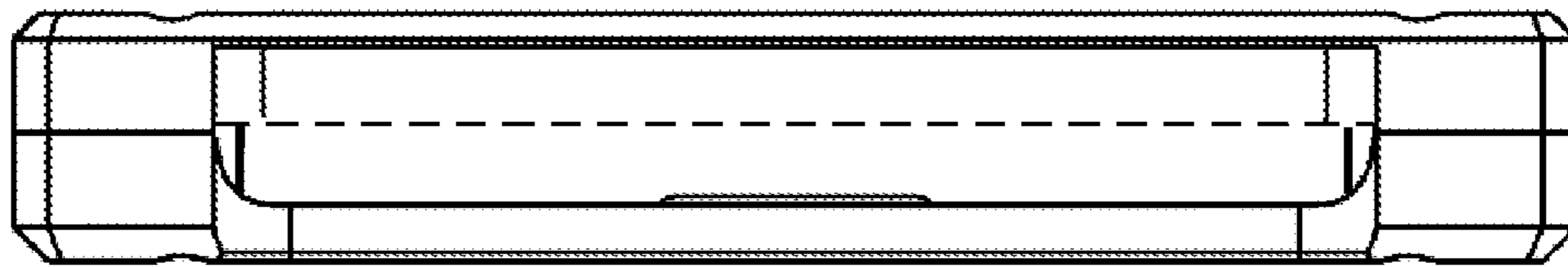


Figure 7



Figure 8

