

US00D600011S

(12) **United States Design Patent**
Munroe

(10) **Patent No.:** **US D600,011 S**

(45) **Date of Patent:** **** Sep. 15, 2009**

(54) **PERSONAL ORGANIZER**

(76) Inventor: **Regina Munroe**, 299 Old County Rd.,
#7, San Carlos, CA (US) 94070

(**) Term: **14 Years**

(21) Appl. No.: **29/312,036**

(22) Filed: **Sep. 26, 2008**

(51) **LOC (9) Cl.** **03-01**

(52) **U.S. Cl.** **D3/247**

(58) **Field of Classification Search** D3/232-234,
D3/240-252; 150/100, 103-104, 106-110,
150/113-114, 118-119, 130-132

See application file for complete search history.

(56) **References Cited**

U.S. PATENT DOCUMENTS

D155,844	S	11/1949	Simpson	
2,693,213	A *	11/1954	Marcus	150/132
2,926,932	A *	3/1960	Koerper	281/34
2,955,633	A *	10/1960	Seitz	150/132
3,369,585	A *	2/1968	Martinsen	206/37
3,387,641	A *	6/1968	Osborne	150/132
D223,644	S *	5/1972	Croon	D3/247
3,856,063	A *	12/1974	Dengel	150/132
D246,205	S *	10/1977	Lewis	D18/6
D340,355	S *	10/1993	Little	D3/247
D380,295	S *	7/1997	Morris	D3/243
D384,499	S *	10/1997	Gaestel	D3/247
D393,947	S *	5/1998	Alves et al.	D3/303

D410,774	S *	6/1999	Inbert	D3/250
D446,930	S *	8/2001	Bodony et al.	D3/233
D471,008	S *	3/2003	Dubone	D3/247
D475,526	S *	6/2003	Gillespie et al.	D3/247
6,668,883	B2 *	12/2003	Buechele	150/131
D543,359	S *	5/2007	Suppencig	D3/299
D553,856	S *	10/2007	Shum	D3/247
D572,475	S	7/2008	Tuttle	
D586,121	S *	2/2009	Holzner et al.	D3/247

* cited by examiner

Primary Examiner—Holly H Baynham

(74) *Attorney, Agent, or Firm*—Kloss, Stenger & Lo Tempio;
Vincent G. Lo Tempio; Douglas R. Smith

(57) **CLAIM**

The ornamental design for a personal organizer, as shown and described.

DESCRIPTION

FIG. 1 is a perspective view of the personal organizer showing my design;

FIG. 2 is a front view of my design;

FIG. 3 is a back view of my design;

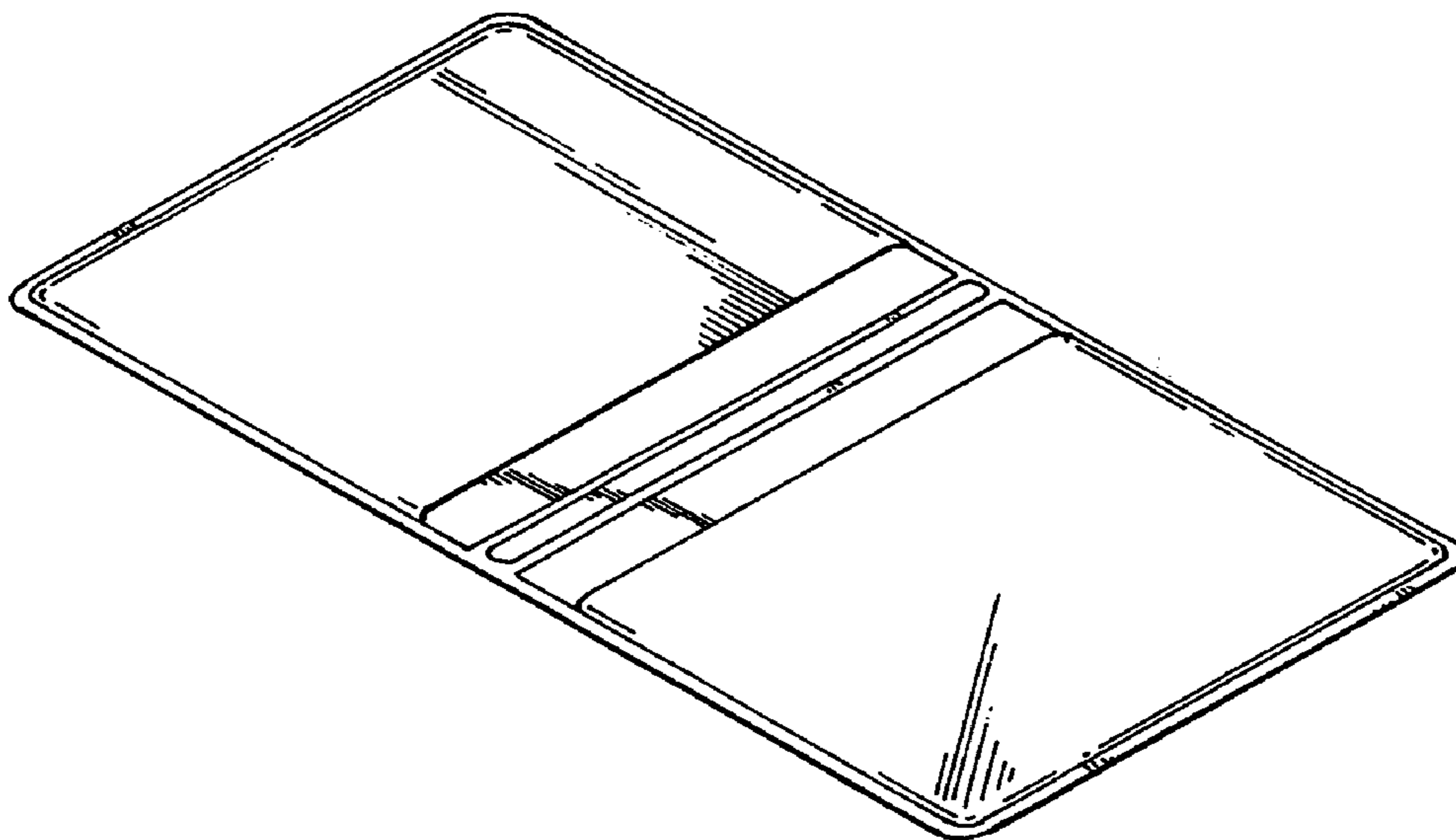
FIG. 4 is a left side view of my design;

FIG. 5 is a right side view of my design;

FIG. 6 is a top plan view of my design; and,

FIG. 7 is a bottom plan view of my design.

1 Claim, 1 Drawing Sheet



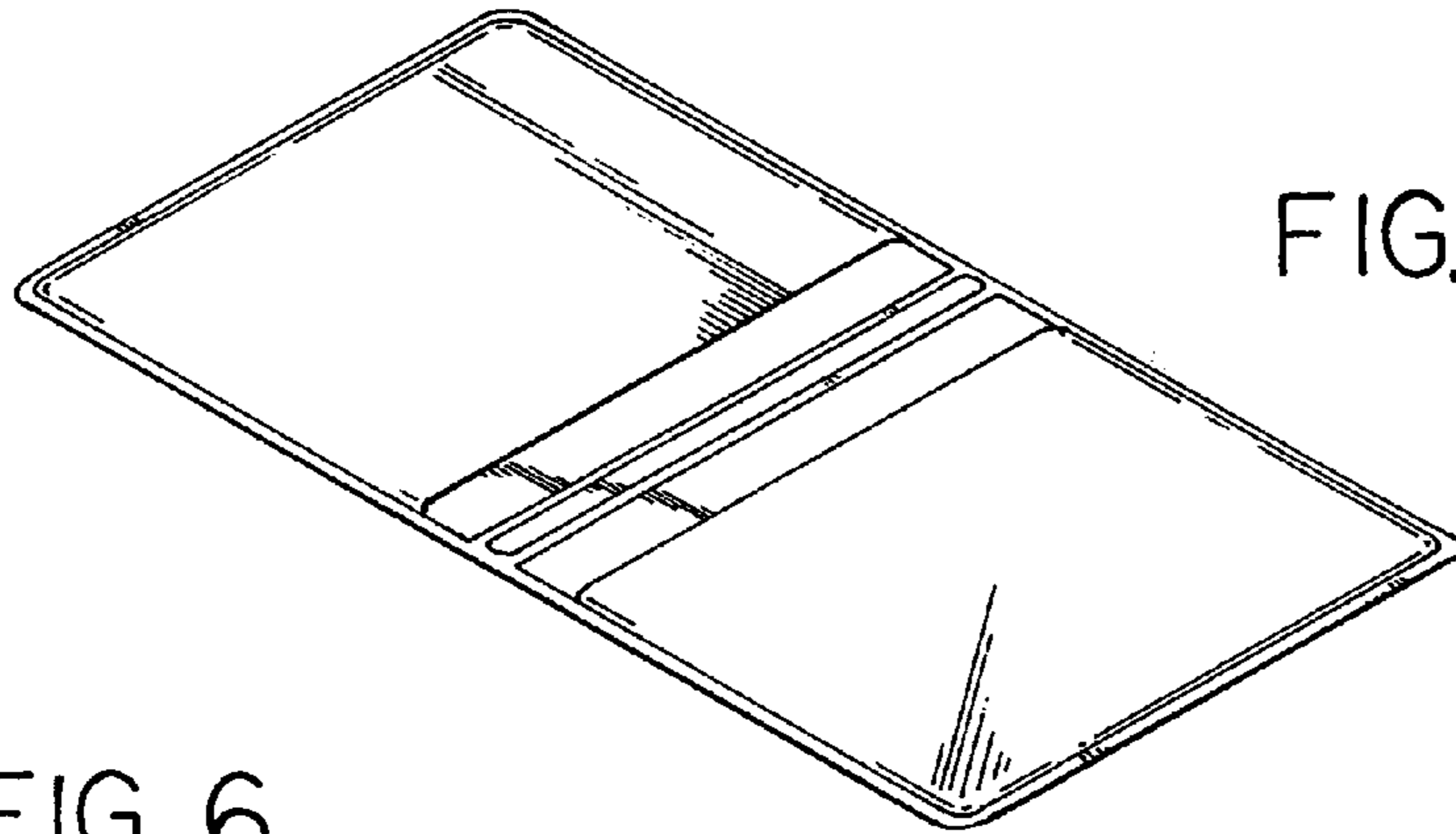


FIG. 1

FIG. 6

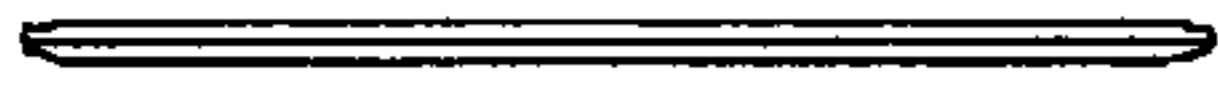


FIG. 3

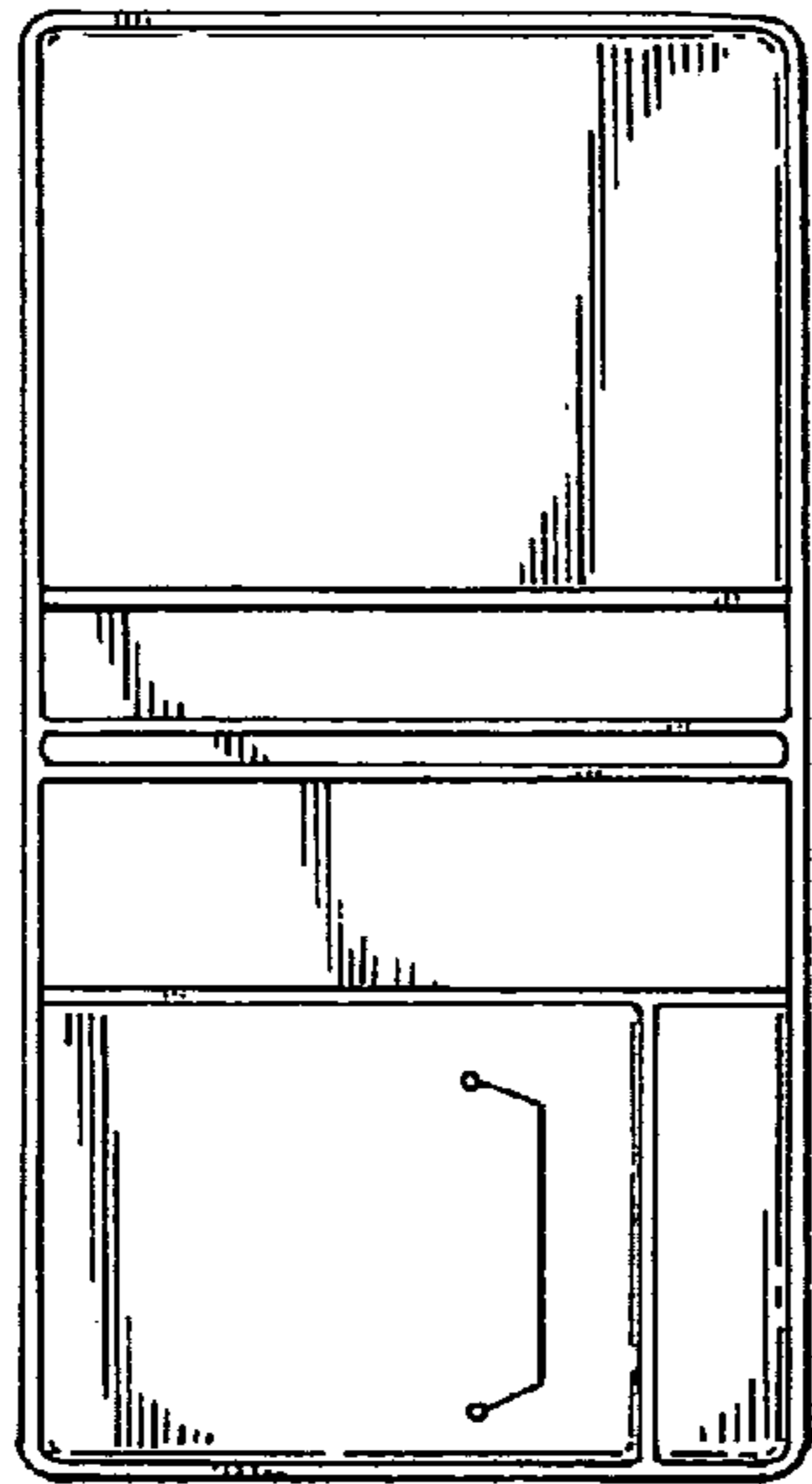


FIG. 4

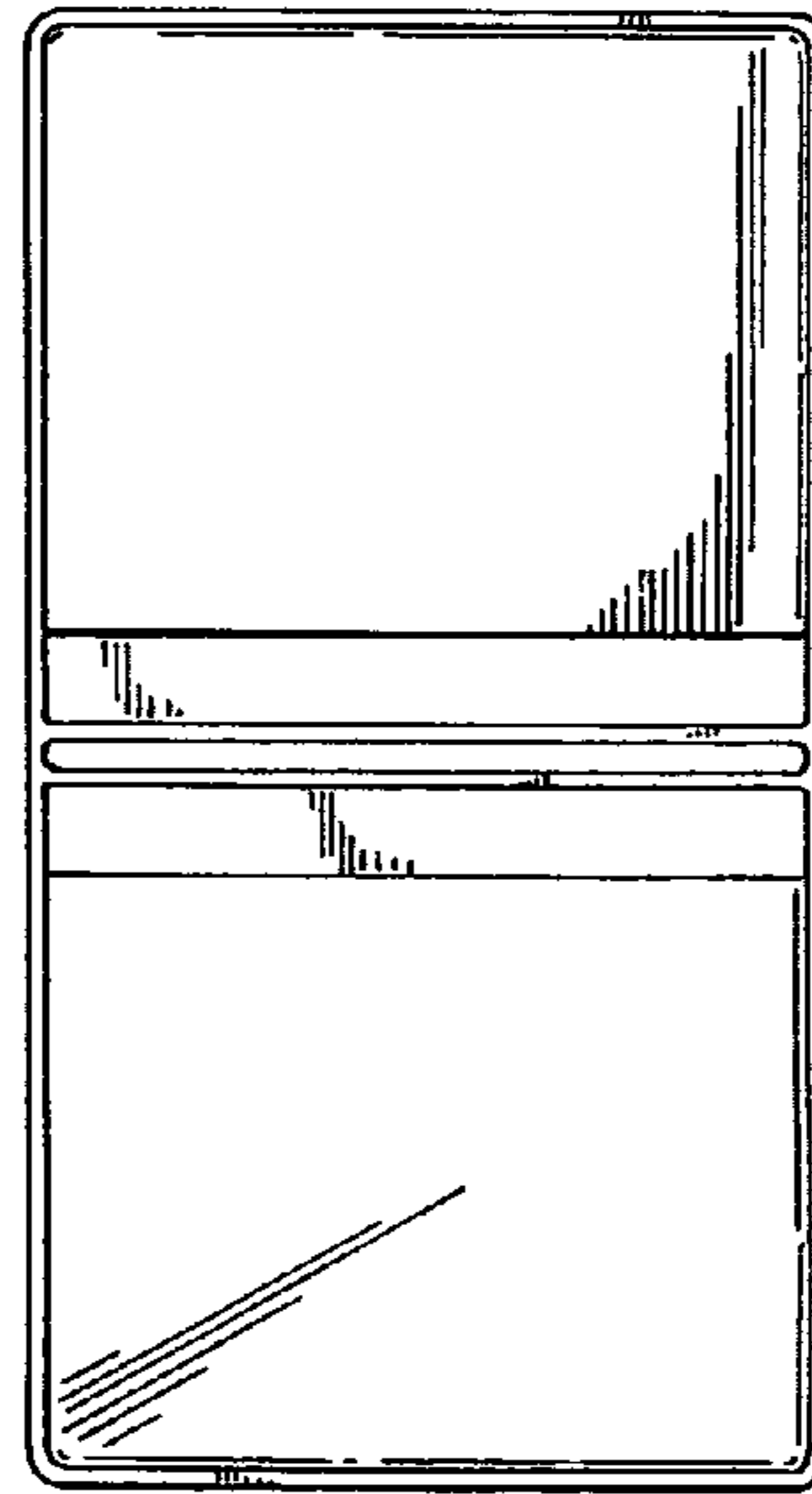


FIG. 2

FIG. 5



FIG. 7

